



US00D632008S

(12) **United States Design Patent**
Kim et al.

(10) **Patent No.:** **US D632,008 S**
(45) **Date of Patent:** **** Feb. 1, 2011**

(54) **LED LIGHTING**

(75) Inventors: **Tai Hong Kim**, Seoul (KR); **Jong Sun Jeon**, Seoul (KR); **Won Ho Jin**, Seoul (KR); **Jung Joo Yoo**, Seoul (KR)

(73) Assignee: **LG Electronics Inc.**, Seoul (KR)

(**) Term: **14 Years**

(21) Appl. No.: **29/365,776**

(22) Filed: **Jul. 14, 2010**

(30) **Foreign Application Priority Data**

Jan. 15, 2010 (KR) 30-2010-0001783

(51) **LOC (9) Cl.** **26-99**

(52) **U.S. Cl.** **D26/120**

(58) **Field of Classification Search** D26/138,
D26/63, 128, 124, 24, 87, 145, 155, 140,
D26/85, 113, 142, 118, 64, 2, 3, 68, 71, 67,
D26/76, 65, 120; 362/219, 249.01, 249.02,
362/249.03, 249.04, 249.05, 249.06, 249.07,
362/249.08, 249.09, 249.1, 249.11, 580,
362/373, 290, 362, 183, 240, 294; D7/532,
D7/530, 529, 523, 531, 587; D11/152, 153,
D11/146; D16/134, 135, 101; 439/110,
439/698, 417, 320; D13/134, 179, 180

See application file for complete search history.

(56) **References Cited**

U.S. PATENT DOCUMENTS

3,153,304 A * 10/1964 Evangelista 52/144
D212,899 S * 12/1968 Vesely D26/24
D234,800 S * 4/1975 Swartz D26/24
4,428,454 A * 1/1984 Capaul et al. 181/290
5,486,983 A * 1/1996 Cordier et al. 362/29
5,730,606 A * 3/1998 Sinclair 439/70
D462,130 S * 8/2002 Kotler D25/163
6,762,806 B1 * 7/2004 Matsuo et al. 349/58
D503,930 S * 4/2005 Asakawa D13/180
D522,975 S * 6/2006 Egawa et al. D13/180
7,097,470 B2 * 8/2006 Harper, Jr. 439/83
7,152,997 B1 * 12/2006 Kovacik et al. 362/249.05
D539,943 S * 4/2007 Egawa et al. D26/24

D558,270 S * 12/2007 Beno D19/52
7,360,923 B2 * 4/2008 Weber-Rabsilber et al. . 362/241
D585,581 S * 1/2009 Purcell D26/85
7,490,972 B2 * 2/2009 Kokogawa 362/633
D595,450 S * 6/2009 Ko et al. D26/120
D597,693 S * 8/2009 Kauffman et al. D26/63
D599,039 S * 8/2009 Leier D25/157
7,665,238 B2 * 2/2010 Majerowski 40/725
D613,445 S * 4/2010 Beghelli D26/74
7,710,034 B2 * 5/2010 Shin 313/582
2004/0036413 A1 * 2/2004 Bae et al. 313/582
2005/0060949 A1 * 3/2005 McNaught 52/28
2006/0000920 A1 * 1/2006 Leonard 239/34
2006/0214905 A1 * 9/2006 Okazaki 345/102
2006/0256583 A1 * 11/2006 Shimizu et al. 362/633
2007/0247850 A1 * 10/2007 Hawkins et al. 362/267
2010/0165627 A1 * 7/2010 Wung et al. 362/249.02

* cited by examiner

Primary Examiner—Cathron C Brooks

Assistant Examiner—Kevin K Rudzinski

(74) *Attorney, Agent, or Firm*—Birch, Stewart, Kolasch & Birch, LLP

(57) **CLAIM**

We claim the ornamental design for an LED lighting, as shown and described.

DESCRIPTION

FIG. 1 is a perspective view of an LED lighting showing my new design:

FIG. 2 is a front elevation view thereof;

FIG. 3 is a rear elevation view thereof;

FIG. 4 is a left-side elevation view thereof;

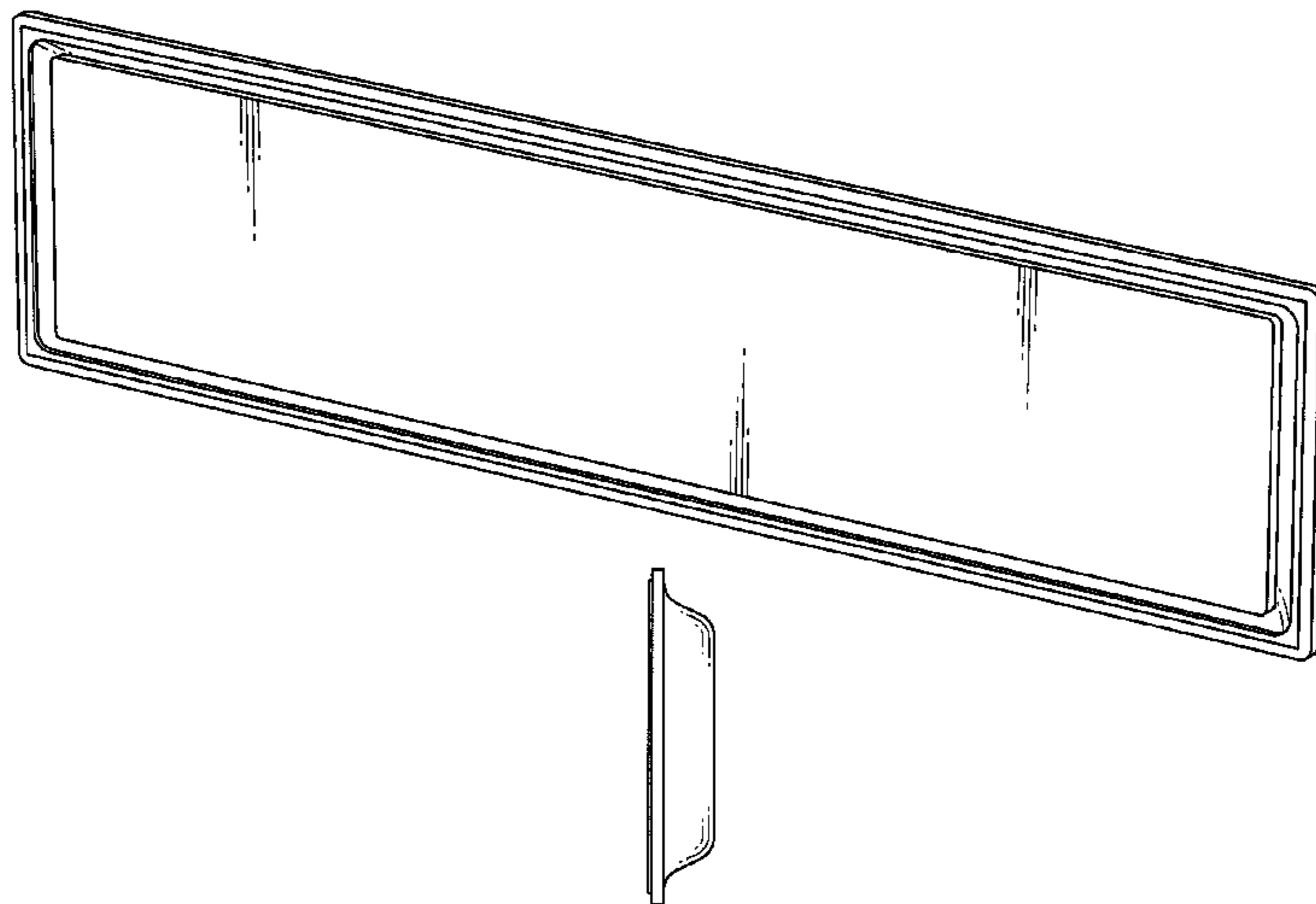
FIG. 5 is a right-side elevation view thereof;

FIG. 6 is a top plan view thereof;

FIG. 7 is a bottom plan view thereof; and,

FIG. 8 is a cross sectional view taken along line 8—8 in FIG. 2.

1 Claim, 6 Drawing Sheets



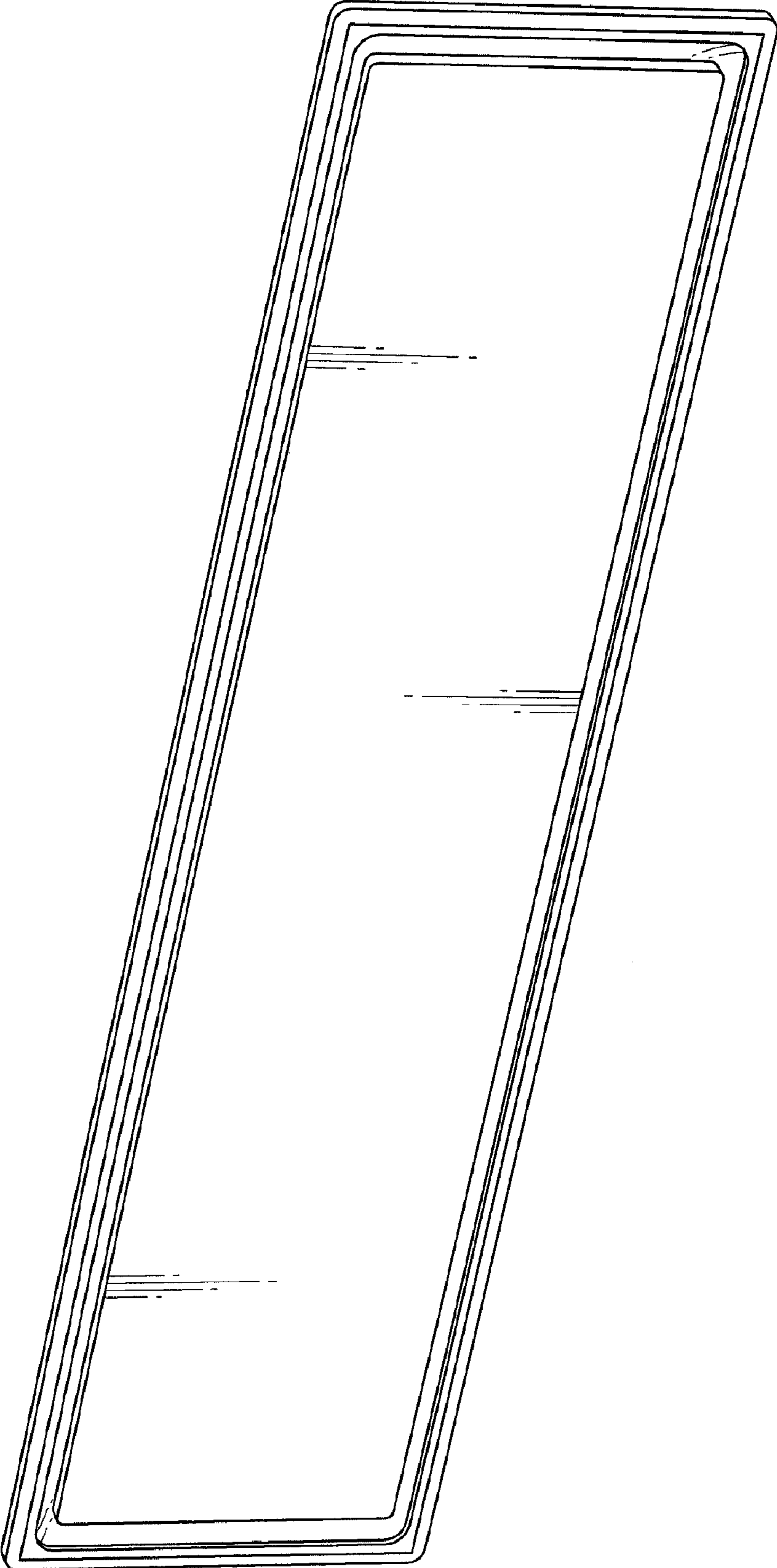


FIG.1

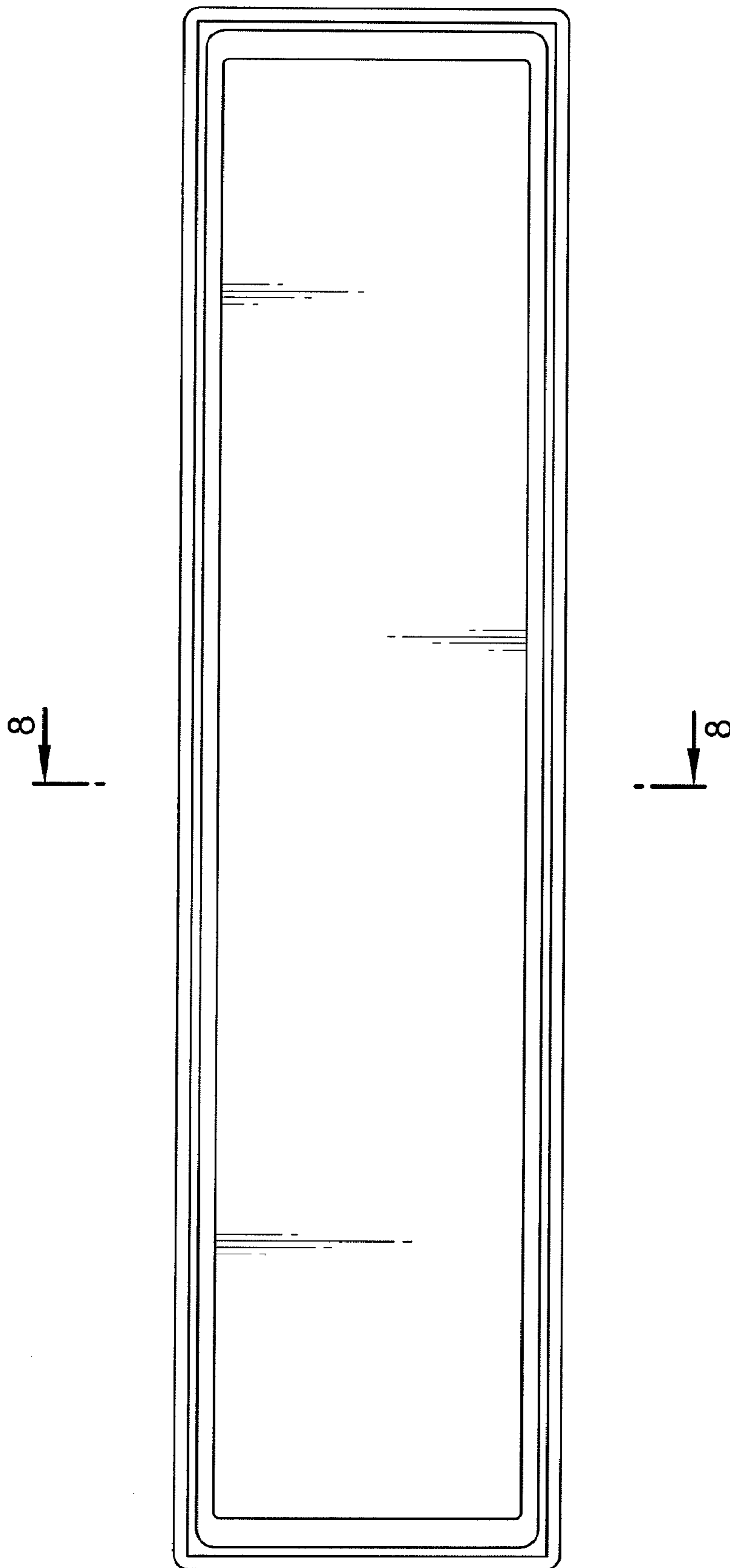


FIG.2

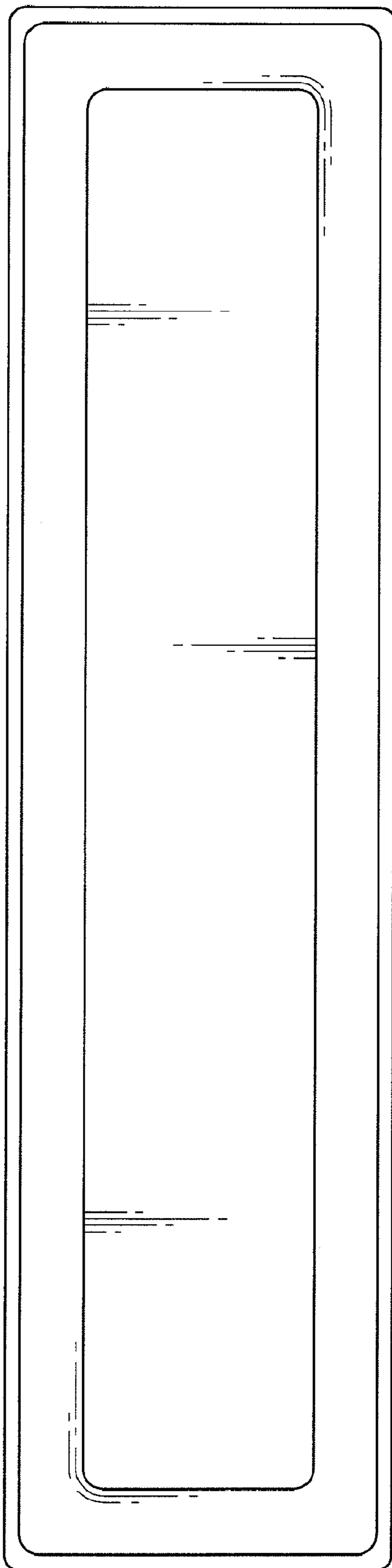


FIG.3

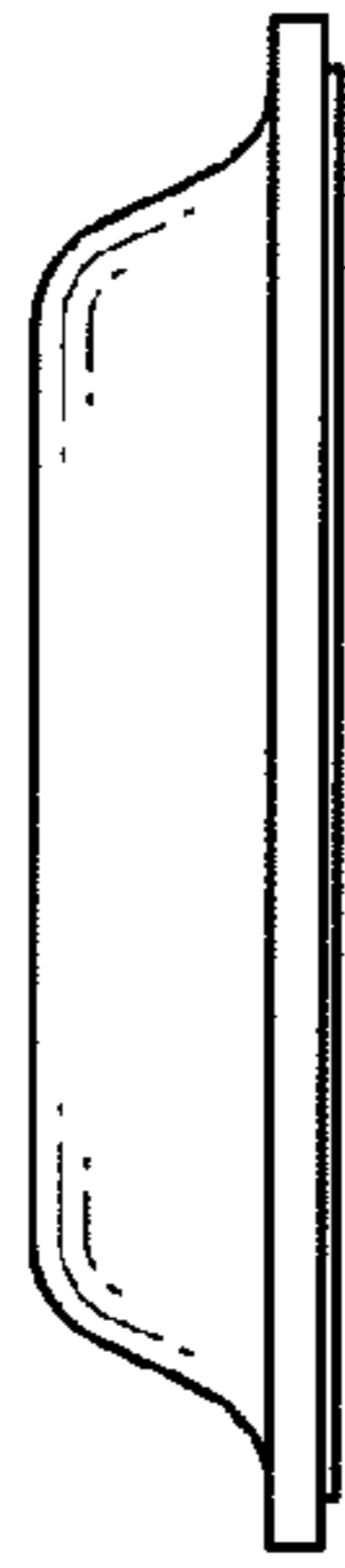


FIG. 4

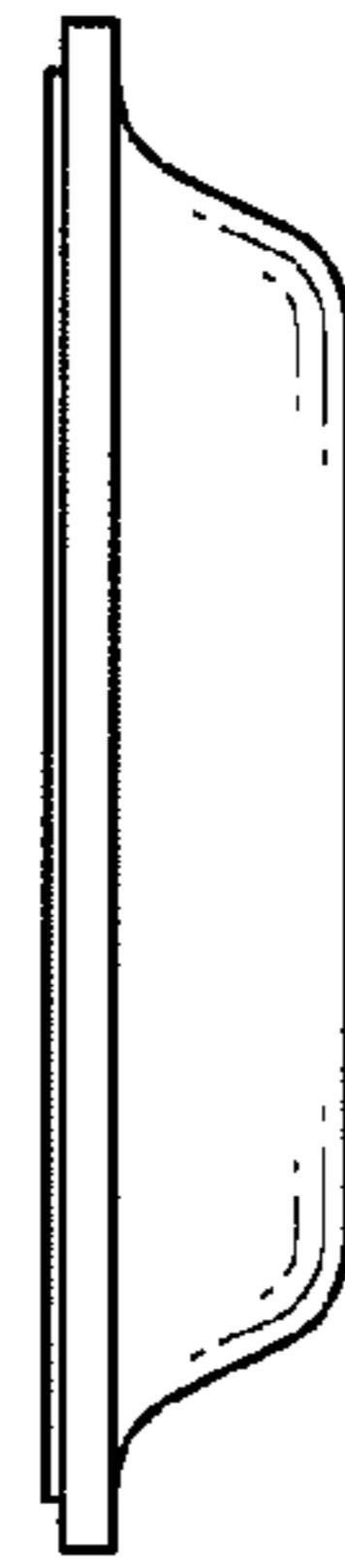


FIG. 5

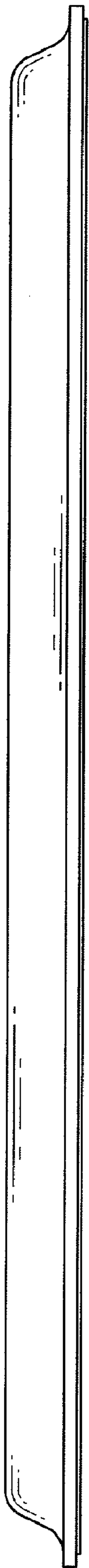


FIG. 6

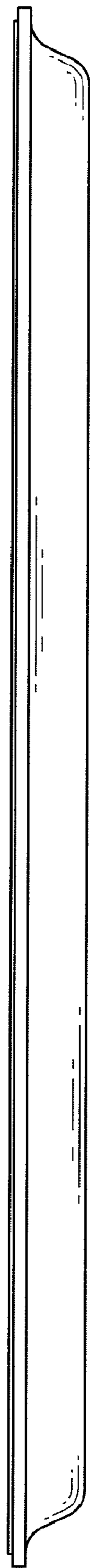


FIG. 7



FIG.8