



US00D632006S

(12) **United States Design Patent**  
**Verfuwerth et al.**

(10) **Patent No.:** **US D632,006 S**  
(45) **Date of Patent:** **\*\* Feb. 1, 2011**

(54) **REFLECTOR FOR A LIGHTING FIXTURE**

(75) Inventors: **Neal R. Verfuwerth**, Plymouth, WI (US);  
**Kenneth J. Wetenkamp**, Plymouth, WI (US)

(73) Assignee: **Orion Energy Systems, Inc.**, Manitowoc, WI (US)

(\*\*) Term: **14 Years**

(21) Appl. No.: **29/367,031**

(22) Filed: **Aug. 2, 2010**

**Related U.S. Application Data**

(62) Division of application No. 29/358,470, filed on Mar. 26, 2010, now Pat. No. Des. 623,340.

(51) **LOC (9) Cl.** ..... **26-99**

(52) **U.S. Cl.** ..... **D26/118**

(58) **Field of Classification Search** ..... D26/85, D26/133, 134, 136, 122, 138, 118, 131, 137, D26/124, 69, 68, 67, 71, 125, 149, 147, 156, D26/94, 73, 32, 47, 57, 152, 74, 142, 2, 52, D26/72, 113, 140, 60, 51, 38, 135, 119, 120, D26/121, 123; D8/71, 72, 395, 328; D19/65, D19/90; 248/206.5, 389, 229.13, 229.15; D32/8, 55, 58; 211/106, 119.01, 119.09, 211/85.15; 439/540.1; 362/183, 249.01–249.11, 362/356, 365, 523, 190, 191, 351, 352, 357, 362/358; D24/99, 327, 134, 227; D2/624; 24/316, 306, 339, 3.1, 3.11, 3.12; D6/557, D6/462; 52/19, 28; 8/38; D14/511, 496

See application file for complete search history.

(56) **References Cited**

**U.S. PATENT DOCUMENTS**

- 478,171 A 7/1892 Rapp
- 581,093 A 4/1897 Weeks
- D33,672 S 12/1900 Walsh, Jr.
- D44,772 S 10/1913 Owen
- D47,730 S 8/1915 Heulings, Jr.

- D50,508 S 3/1917 Geisman
- 1,561,324 A 11/1925 Guenot et al.
- 1,689,892 A 10/1928 Root
- 2,032,622 A \* 3/1936 Le Guillou ..... 362/349
- D115,246 S 6/1939 Billings
- D119,794 S 4/1940 Robinson et al.
- 2,219,383 A \* 10/1940 Dillon ..... 362/219

(Continued)

**OTHER PUBLICATIONS**

U.S. Appl. No. 11/771,331, filed Jun. 29, 2007, Verfuwerth et al.

(Continued)

*Primary Examiner*—Cathron C Brooks  
*Assistant Examiner*—Kevin K Rudzinski  
(74) *Attorney, Agent, or Firm*—Foley & Lardner LLP

(57) **CLAIM**

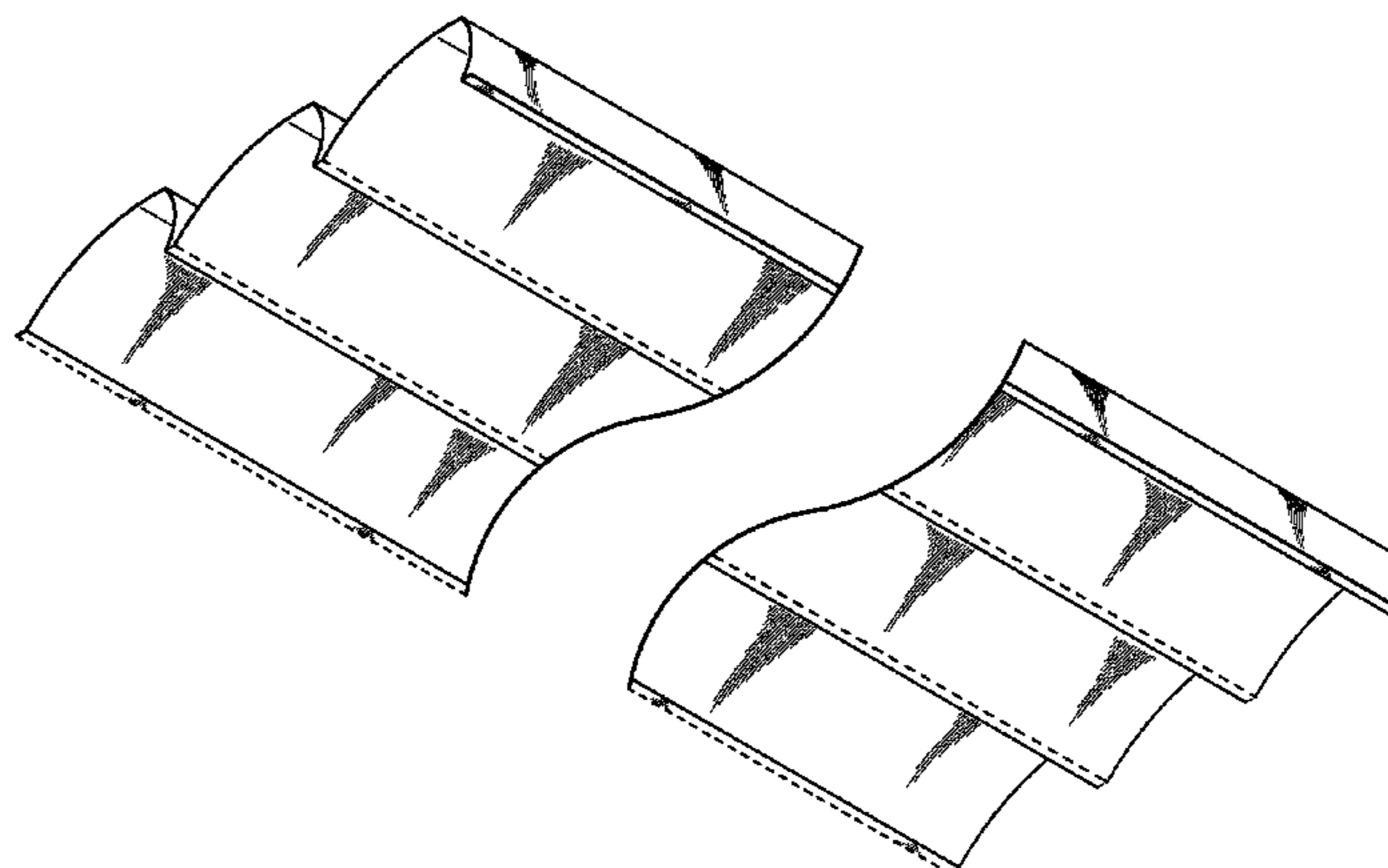
We claim the ornamental design for a reflector for a lighting fixture, as shown and described.

**DESCRIPTION**

FIG. 1 is a bottom perspective view of the reflector for a lighting fixture of the claimed design;  
FIG. 2 is a side view thereof;  
FIG. 3 is a front view thereof;  
FIG. 4 is a rear view thereof;  
FIG. 5 is a top view thereof; and,  
FIG. 6 is a bottom view thereof.

The ornamental design which is claimed is shown in solid lines in the figures. The broken lines in the figures illustrate portions of the reflector for a lighting fixture which form no part of the claimed design. The break in the middle of the design indicates that the claimed design is of no specific length.

**1 Claim, 4 Drawing Sheets**



U.S. PATENT DOCUMENTS

2,258,354	A *	10/1941	Doane	362/224	D507,903	S	8/2005	Pingel	
2,284,194	A *	5/1942	Gangbin	362/151	6,964,502	B1	11/2005	Verfuert	
2,569,934	A	10/1951	Kurtzon		D531,326	S	10/2006	Folliard	
2,619,583	A *	11/1952	Baumgartner	362/221	D531,739	S	11/2006	Folliard	
2,699,599	A	1/1955	Potchen		D538,462	S	3/2007	Verfuert et al.	
2,741,694	A	4/1956	Thomstad et al.		D541,468	S *	4/2007	Mayfield et al.	D26/120
D180,611	S	7/1957	McPhail		D557,817	S	12/2007	Verfuert	
3,560,729	A	2/1971	Liberman		D560,469	S	1/2008	Bartol et al.	
4,150,422	A *	4/1979	Peralta et al.	362/218	D566,877	S *	4/2008	Chandler	D26/85
D252,032	S	6/1979	Popeck		7,401,942	B1	7/2008	Verfuert et al.	
4,383,289	A	5/1983	Lewin		D595,894	S	7/2009	Verfuert et al.	
4,564,888	A	1/1986	Lewin et al.		7,563,006	B1	7/2009	Verfuert et al.	
D311,589	S *	10/1990	Benchimol et al.	D26/24	7,575,338	B1	8/2009	Verfuert	
D314,637	S	2/1991	Holcomb		7,607,794	B1	10/2009	Thompson	
D316,613	S	4/1991	Stein		D606,697	S	12/2009	Verfuert et al.	
5,032,958	A	7/1991	Harwood		D606,698	S	12/2009	Verfuert et al.	
5,062,030	A	10/1991	Figueroa		7,628,506	B2	12/2009	Verfuert et al.	
5,142,459	A	8/1992	Swarens et al.		7,638,743	B2	12/2009	Bartol et al.	
5,192,129	A *	3/1993	Figueroa	362/346	7,746,003	B2	6/2010	Verfuert et al.	
5,241,462	A *	8/1993	Sugimoto	362/223	7,762,861	B2	7/2010	Verfuert et al.	
D351,481	S	10/1994	Cole, Jr.		2003/0058640	A1 *	3/2003	McAlpin	362/225
5,412,551	A	5/1995	Newell		2004/0247801	A1	12/2004	Schober	
D395,727	S	6/1998	Thorton, Jr.		2005/0047138	A1 *	3/2005	Rochna	362/260
D398,710	S	9/1998	Gonzalez		2005/0225972	A1	10/2005	Haines	
D411,027	S	6/1999	Herst et al.		2008/0007943	A1	1/2008	Verfuert et al.	
D411,641	S *	6/1999	Ranieri et al.	D26/74	2008/0123352	A1	5/2008	Maeda et al.	
D413,402	S	8/1999	Ranieri et al.		2008/0219008	A1	9/2008	Schaefer et al.	
5,971,571	A *	10/1999	Rose	362/346	2008/0275802	A1	11/2008	Verfuert et al.	
5,988,829	A	11/1999	Holder		2009/0000217	A1	1/2009	Verfuert et al.	
D421,815	S	3/2000	Herst et al.		2009/0009989	A1	1/2009	Verfuert et al.	
6,053,624	A	4/2000	Cronk		2009/0147507	A1	6/2009	Verfuert et al.	
D438,135	S	2/2001	DiDomizio et al.		2009/0189535	A1	7/2009	Verfuert et al.	
D444,262	S	6/2001	Eberlein et al.		2009/0209162	A1	8/2009	Bartol	
6,257,735	B1	7/2001	Baar		2009/0243517	A1	10/2009	Verfuert et al.	
D447,266	S	8/2001	Verfuert		2009/0248217	A1	10/2009	Verfuert et al.	
6,312,145	B1	11/2001	Rhod		2009/0303722	A1	12/2009	Verfuert et al.	
6,379,026	B1 *	4/2002	Petrick	362/347	2009/0315485	A1	12/2009	Verfuert et al.	
D461,022	S	7/2002	Eberlein et al.		2010/0061088	A1	3/2010	Bartol et al.	
D463,059	S	9/2002	Verfuert						
6,454,442	B1 *	9/2002	Changaris	362/297					
6,467,933	B2	10/2002	Baar						
D468,473	S	1/2003	Shemitz et al.						
6,511,213	B1 *	1/2003	Maley, Sr.	362/374					
D472,047	S	3/2003	Vazquez						
D472,057	S	3/2003	Cassingham						
6,561,678	B2	5/2003	Loughrey						
6,585,396	B1	7/2003	Verfuert						
D479,826	S	9/2003	Verfuert et al.						
D483,332	S	12/2003	Verfuert						
6,710,588	B1	3/2004	Verfuert et al.						
6,724,180	B1	4/2004	Verfuert et al.						
6,746,274	B1	6/2004	Verfuert						
6,758,580	B1	7/2004	Verfuert						
D494,700	S	8/2004	Hartman et al.						
6,774,619	B1	8/2004	Verfuert et al.						
6,908,212	B2	6/2005	Schultz						

OTHER PUBLICATIONS

U.S. Appl. No. 12/057,217, filed Sep. 27, 2008, Verfuert et al.  
 U.S. Appl. No. 12/172,888, filed Jul. 14, 2008, Verfuert et al.  
 U.S. Appl. No. 12/203,825, filed Sep. 3, 2008, Verfuert et al.  
 U.S. Appl. No. 12/240,805, filed Sep. 29, 2008, Verfuert et al.  
 U.S. Appl. No. 12/345,443, filed Dec. 29, 2008, Verfuert et al.  
 U.S. Appl. No. 12/484,043, filed Jun. 12, 2009, Verfuert et al.  
 U.S. Appl. No. 12/550,270, filed Aug. 28, 2009, Verfuert et al.  
 U.S. Appl. No. 12/559,240, filed Sep. 14, 2009, Bartol et al.  
 U.S. Appl. No. 12/646,739, filed Dec. 23, 2009, Bartol et al.  
 U.S. Appl. No. 29/333,666, filed Mar. 12, 2009, Verfuert et al.  
 U.S. Appl. No. 29/342,678, filed Aug. 28, 2009, Verfuert et al.  
 U.S. Appl. No. 29/342,679, filed Aug. 28, 2009, Verfuert et al.  
 U.S. Appl. No. 29/343,007, filed Sep. 4, 2009, Verfuert et al.  
 U.S. Appl. No. 29/343,499, filed Sep. 14, 2009, Bartol et al.  
 U.S. Appl. No. 61/165,397, filed Mar. 31, 2009, Verfuert et al.  
 U.S. Appl. No. 61/275,985, filed Sep. 4, 2009, Verfuert et al.

\* cited by examiner



FIG. 1

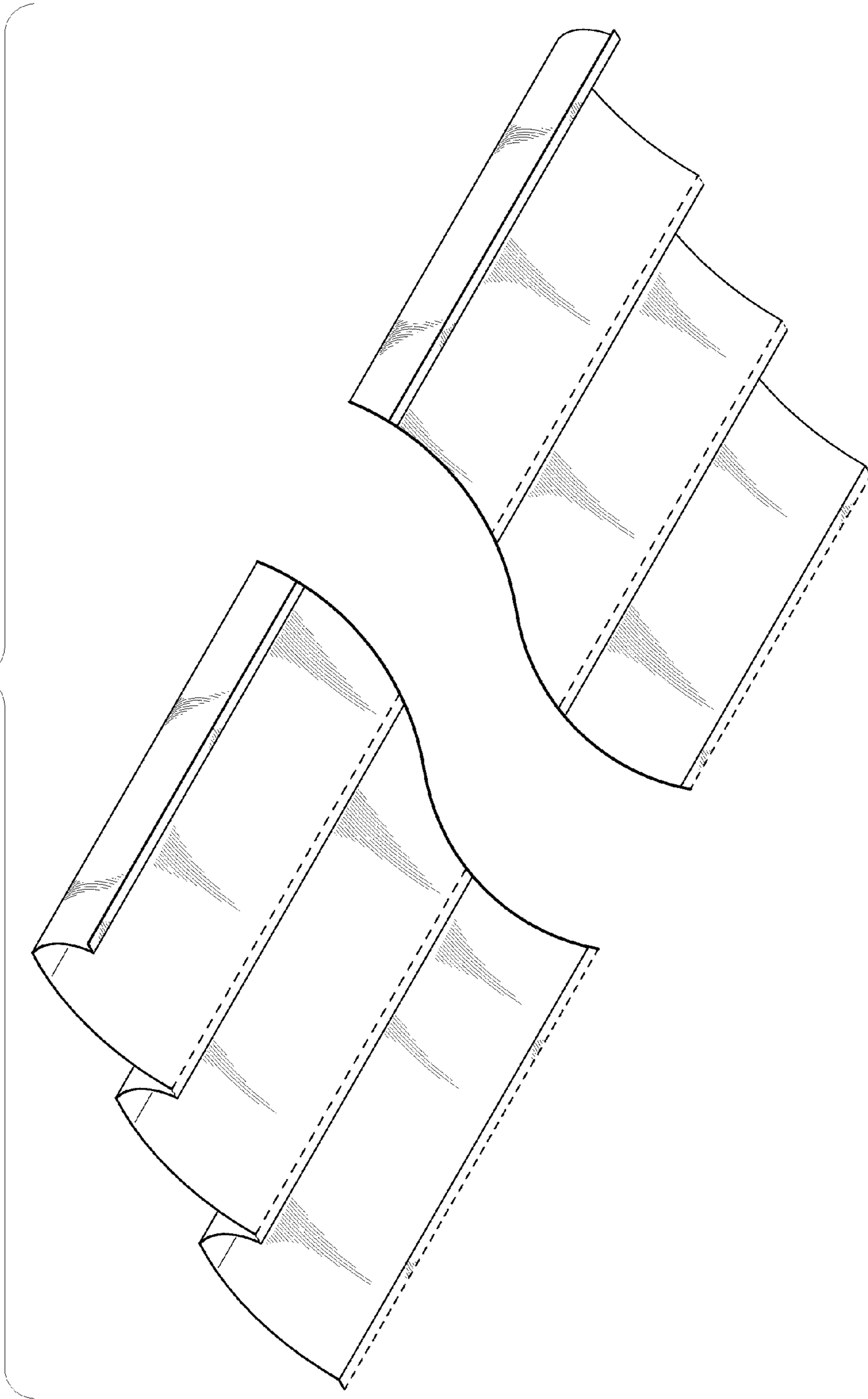




FIG. 3



FIG. 4

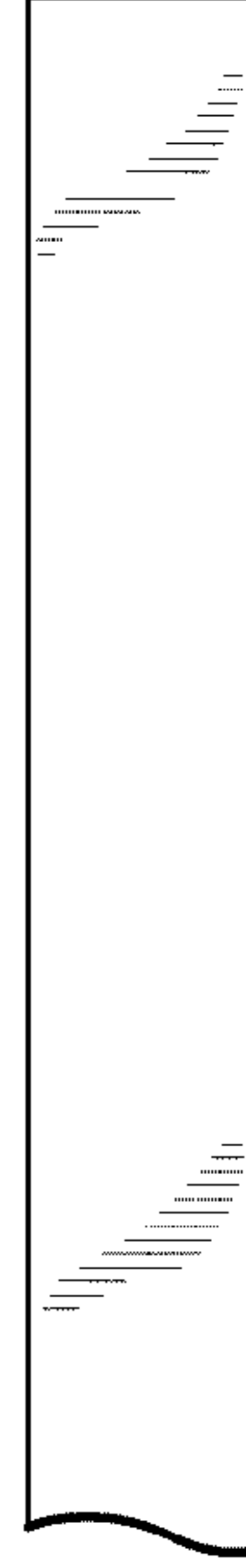
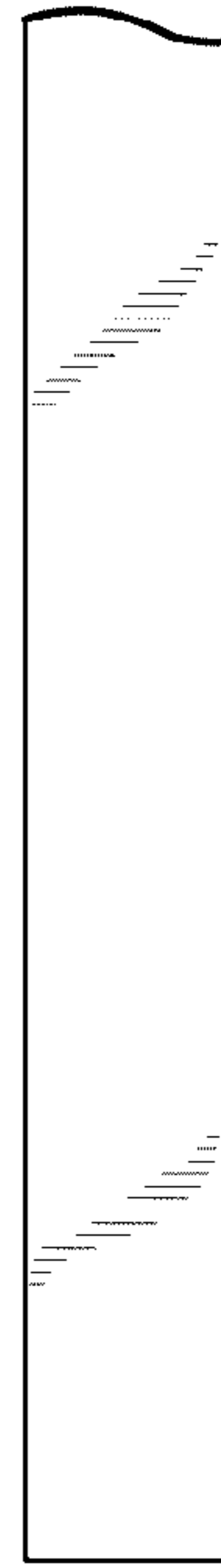


FIG. 5

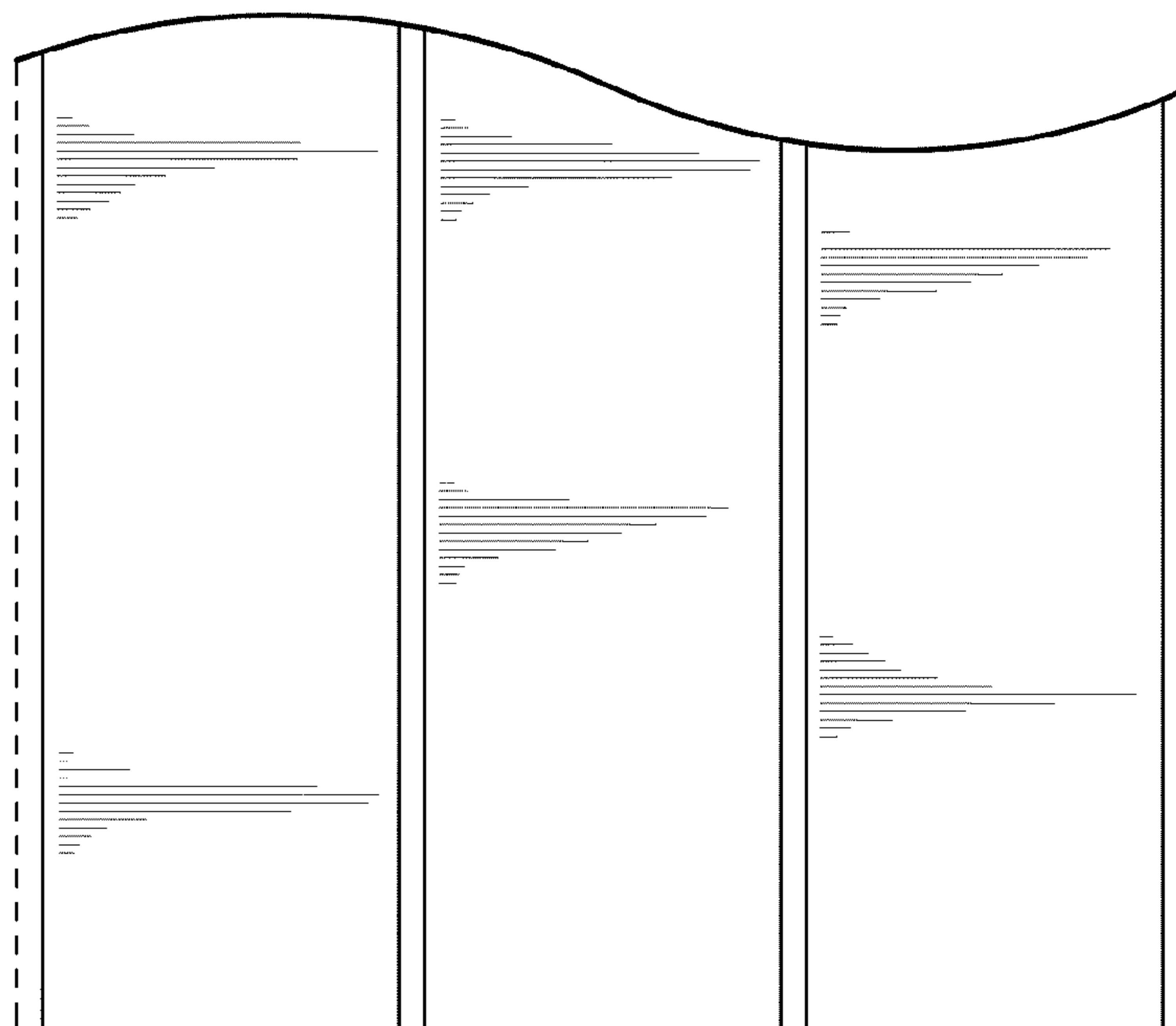
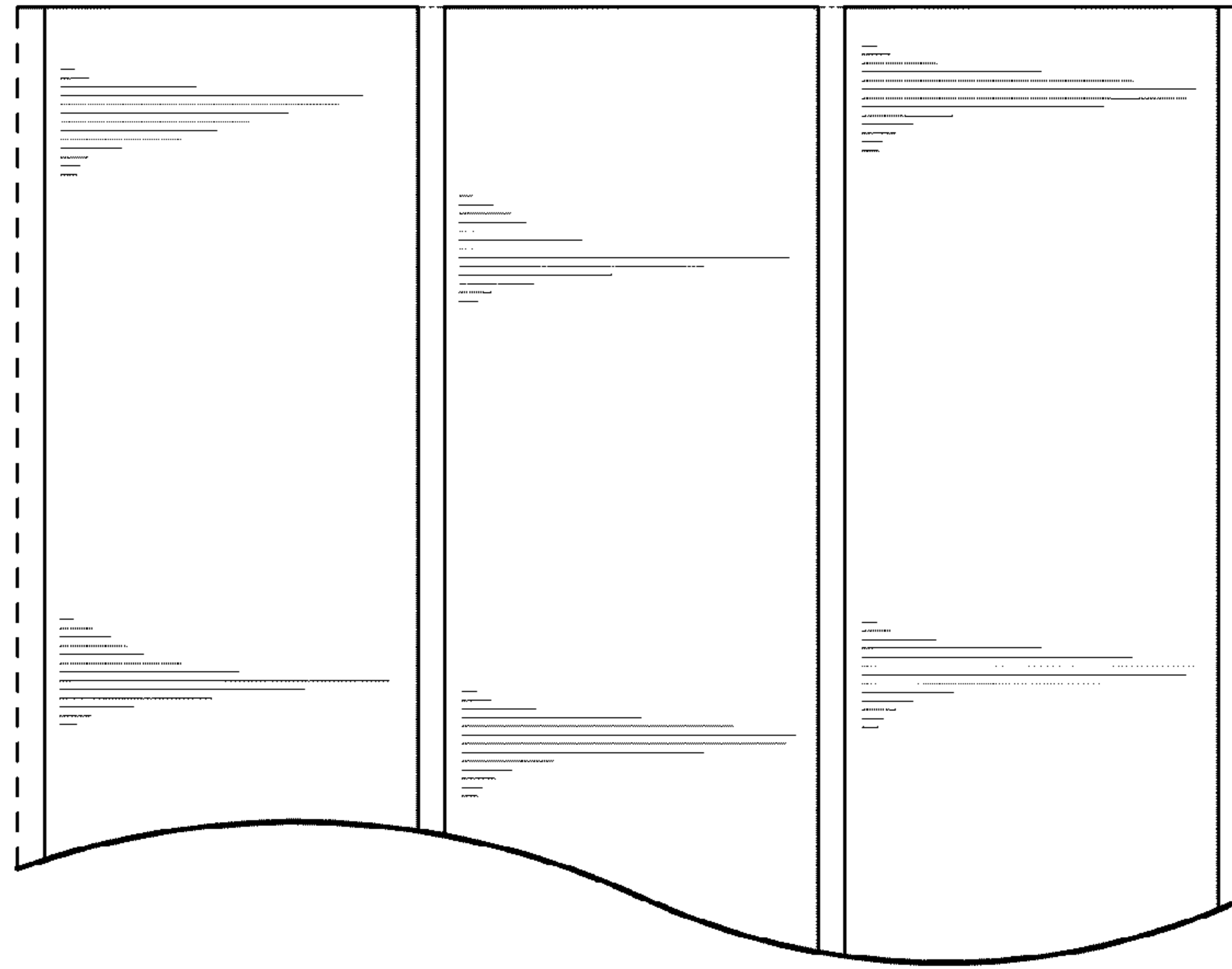


FIG. 6

