

US00D632005S

(12) **United States Design Patent**
Münstermann

(10) **Patent No.:** **US D632,005 S**

(45) **Date of Patent:** **** Feb. 1, 2011**

(54) **EYEBALL ELEMENT FOR A LAMP**

(75) Inventor: **Marén Münstermann**, Munich (DE)

(73) Assignee: **OSRAM Gesellschaft mit
beschränkter Haftung**, Munich (DE)

(**) Term: **14 Years**

(21) Appl. No.: **29/325,604**

(22) Filed: **Oct. 3, 2008**

(30) **Foreign Application Priority Data**

Apr. 3, 2008 (EM) 000919055-0001

(51) **LOC (9) Cl.** **26-99**

(52) **U.S. Cl.** **D26/113**

(58) **Field of Classification Search** D26/24,
D26/60, 67-71, 63, 113, 74, 118, 123, 124,
D26/139; 362/155, 183, 396, 153.1, 812,
362/488; 40/564

See application file for complete search history.

(56) **References Cited**

U.S. PATENT DOCUMENTS

D52,001 S *	5/1918	Adam	D26/135
1,840,098 A *	1/1932	Hobson	246/1 C
D107,878 S *	1/1938	Levy	D26/74
D109,740 S *	5/1938	Stewart	D26/137
D118,671 S *	1/1940	Mielziner	D26/63
D120,903 S *	6/1940	Arenberg	D26/124
D127,833 S *	6/1941	Price	D26/63
D134,595 S *	12/1942	Van Es	D26/63
D161,709 S *	1/1951	Rahn	D26/36
D215,481 S *	9/1969	Dawson	D26/124
D264,007 S *	4/1982	Heritage	D26/74
4,499,528 A *	2/1985	Hawlitzki	362/275
D320,863 S *	10/1991	Macaluso	D26/74
5,183,330 A *	2/1993	Rishel et al.	362/372
D361,144 S *	8/1995	Loiselet	D26/44
D384,181 S *	9/1997	Borden	D26/110
D400,995 S *	11/1998	LaRosa et al.	D26/63
D406,279 S *	3/1999	LaRosa et al.	D20/42
D406,670 S *	3/1999	Yeh	D26/74

D410,295 S *	5/1999	Lueken et al.	D26/74
D419,708 S *	1/2000	LaRosa et al.	D26/63
6,019,477 A *	2/2000	Wegrzyn et al.	362/20
D425,221 S *	5/2000	Burns	D26/26
D426,334 S *	6/2000	Wegrzyn et al.	D26/63
D441,475 S *	5/2001	Wegrzyn et al.	D26/63
6,280,042 B1 *	8/2001	Wegrzyn et al.	362/20
D476,105 S *	6/2003	Alsobrook	D26/51
6,641,283 B1 *	11/2003	Bohler	362/238
D484,270 S *	12/2003	Yiu	D26/89

(Continued)

FOREIGN PATENT DOCUMENTS

GB 2119072 A * 11/1983

OTHER PUBLICATIONS

“DOT-It® Vario” directional tap light from Osram GmbH. © 2008.*

Primary Examiner—Clare E Heflin

(57) **CLAIM**

I claim, the ornamental design for an eyeball element for a lamp, as shown and described.

DESCRIPTION

FIG. 1 is a front, right side and bottom perspective view of a lamp showing my new design;

FIG. 2 is a front elevational view thereof;

FIG. 3 is a left side elevational view thereof;

FIG. 4 is a right side elevational view thereof;

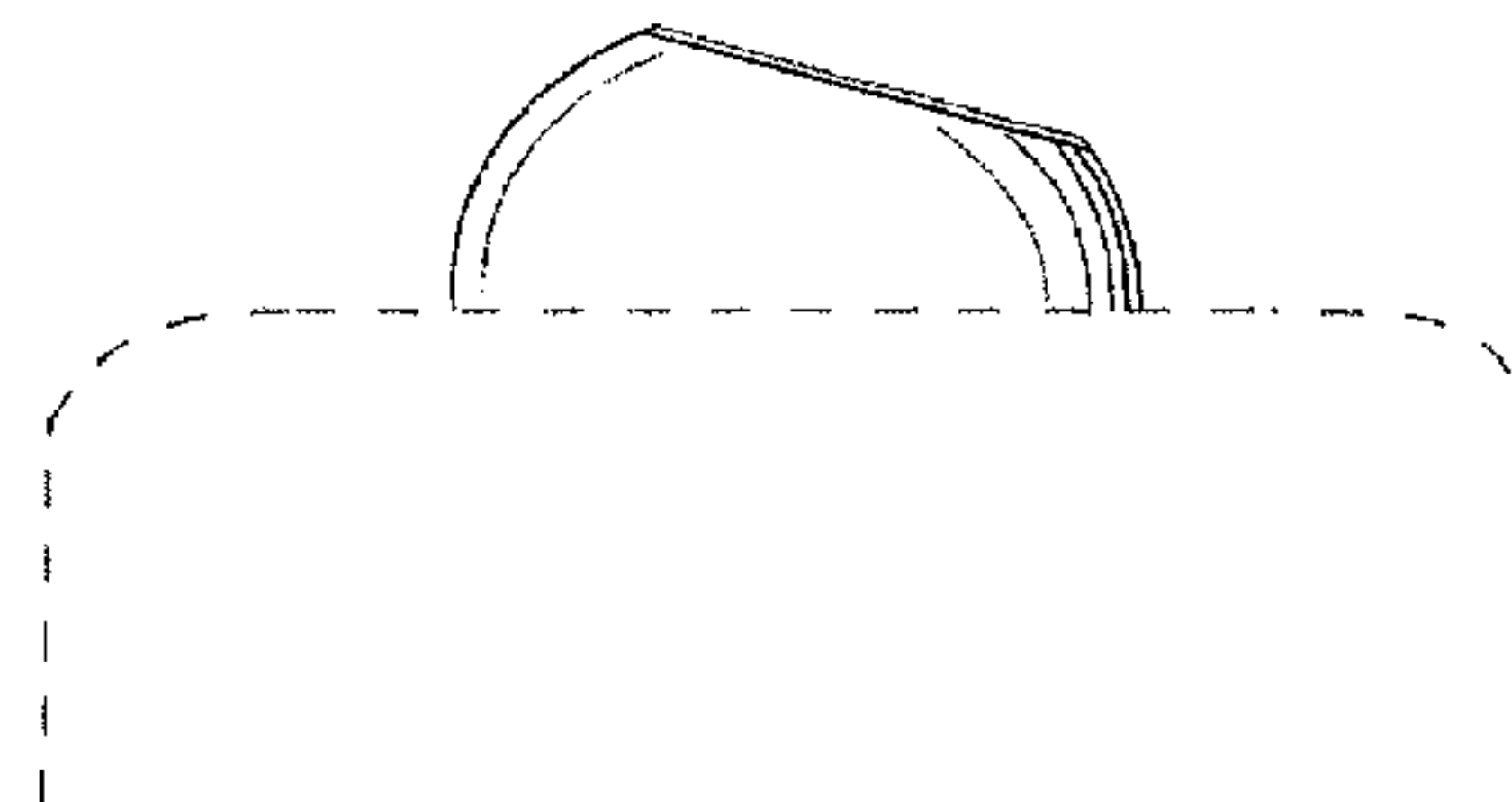
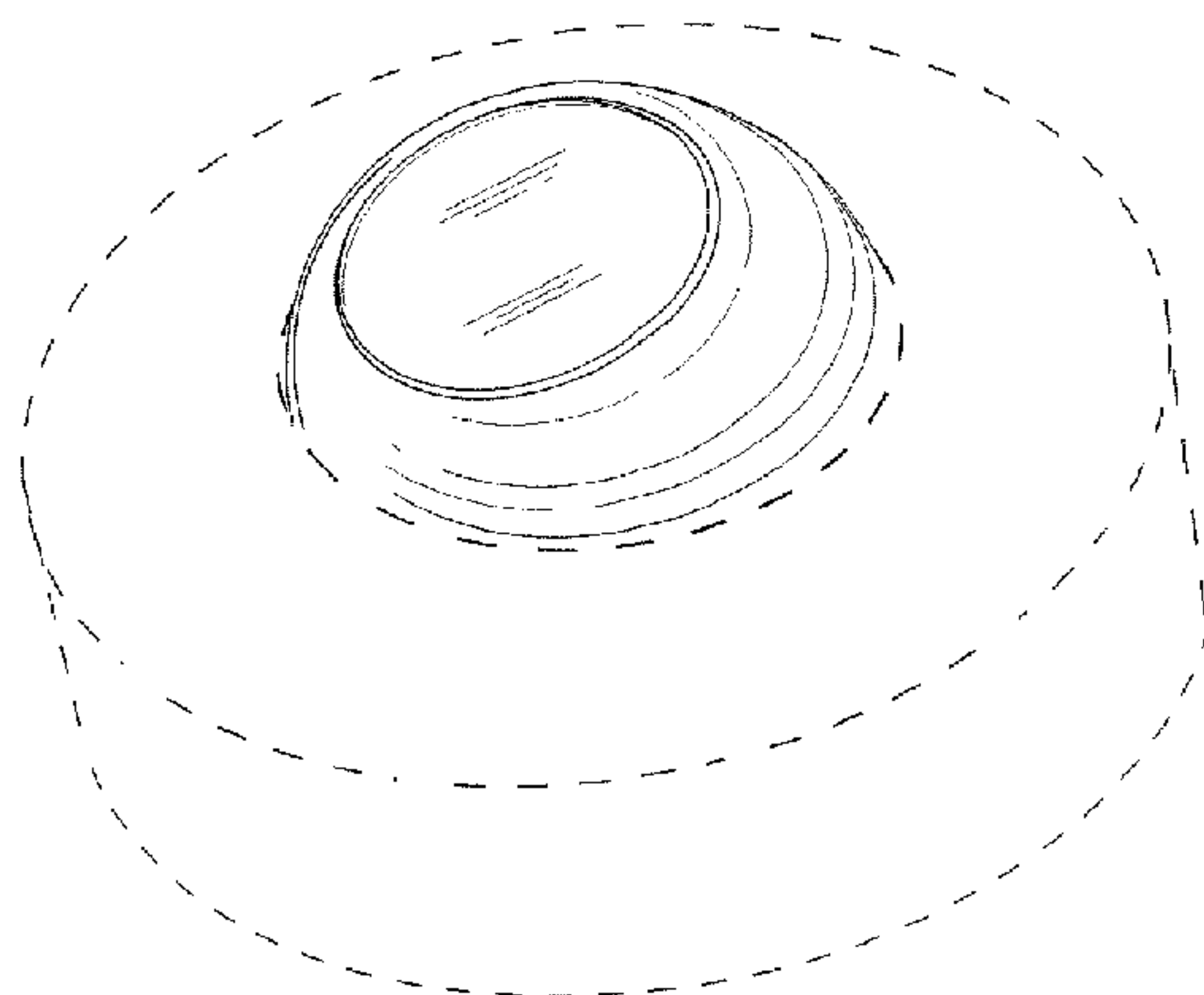
FIG. 5 is a bottom elevational view thereof;

FIG. 6 is a top plan view thereof; and,

FIG. 7 is a view similar to that of FIG. 2 in which the eyeball element has been rotated and pivoted to a different position relative to the housing.

The broken line showing is included for the purpose of illustrating only and forms no part of the claimed design.

1 Claim, 5 Drawing Sheets



US D632,005 S

Page 2

U.S. PATENT DOCUMENTS

D484,272 S *	12/2003	Lay et al.	D26/113	D566,885 S *	4/2008	Mullen	D26/123
D504,736 S *	5/2005	Yen	D26/37	D571,497 S *	6/2008	Chan et al.	D26/74
D507,373 S *	7/2005	Kim	D26/80	D586,942 S *	2/2009	Chan et al.	D26/118
D544,117 S *	6/2007	Coushaine	D26/37	2007/0047224 A1 *	3/2007	Lee	362/132

* cited by examiner

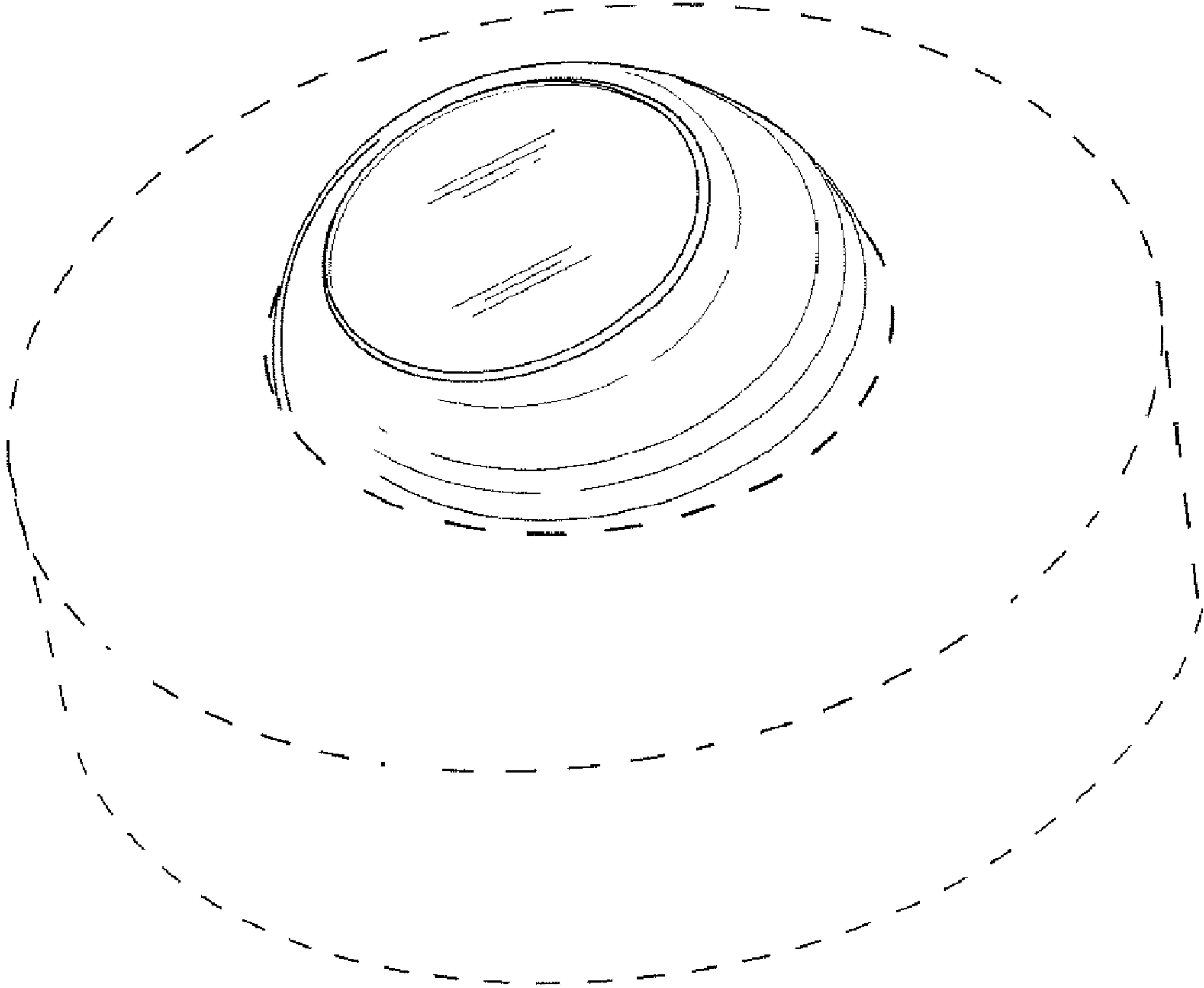


FIG. 1

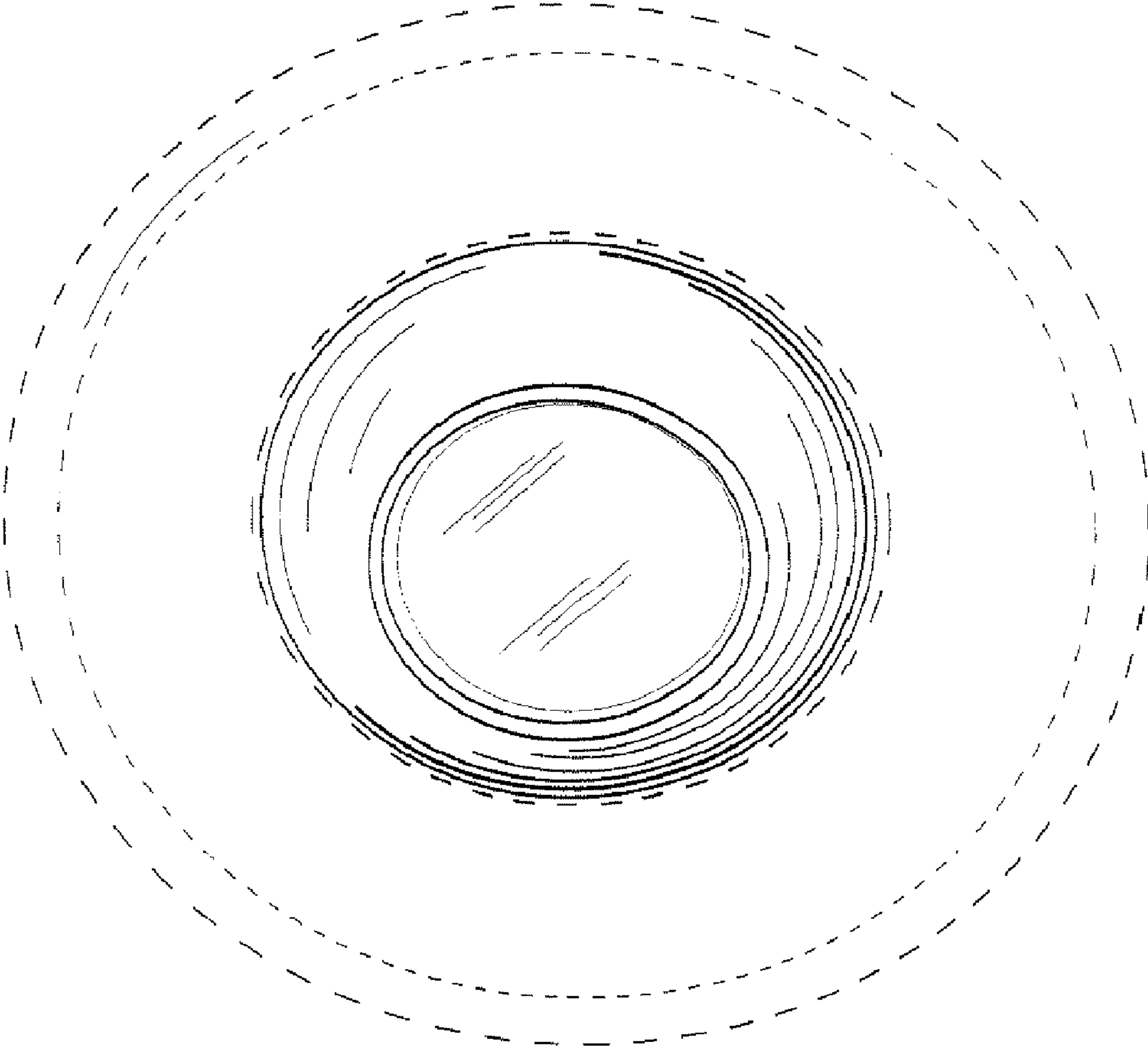


FIG. 2

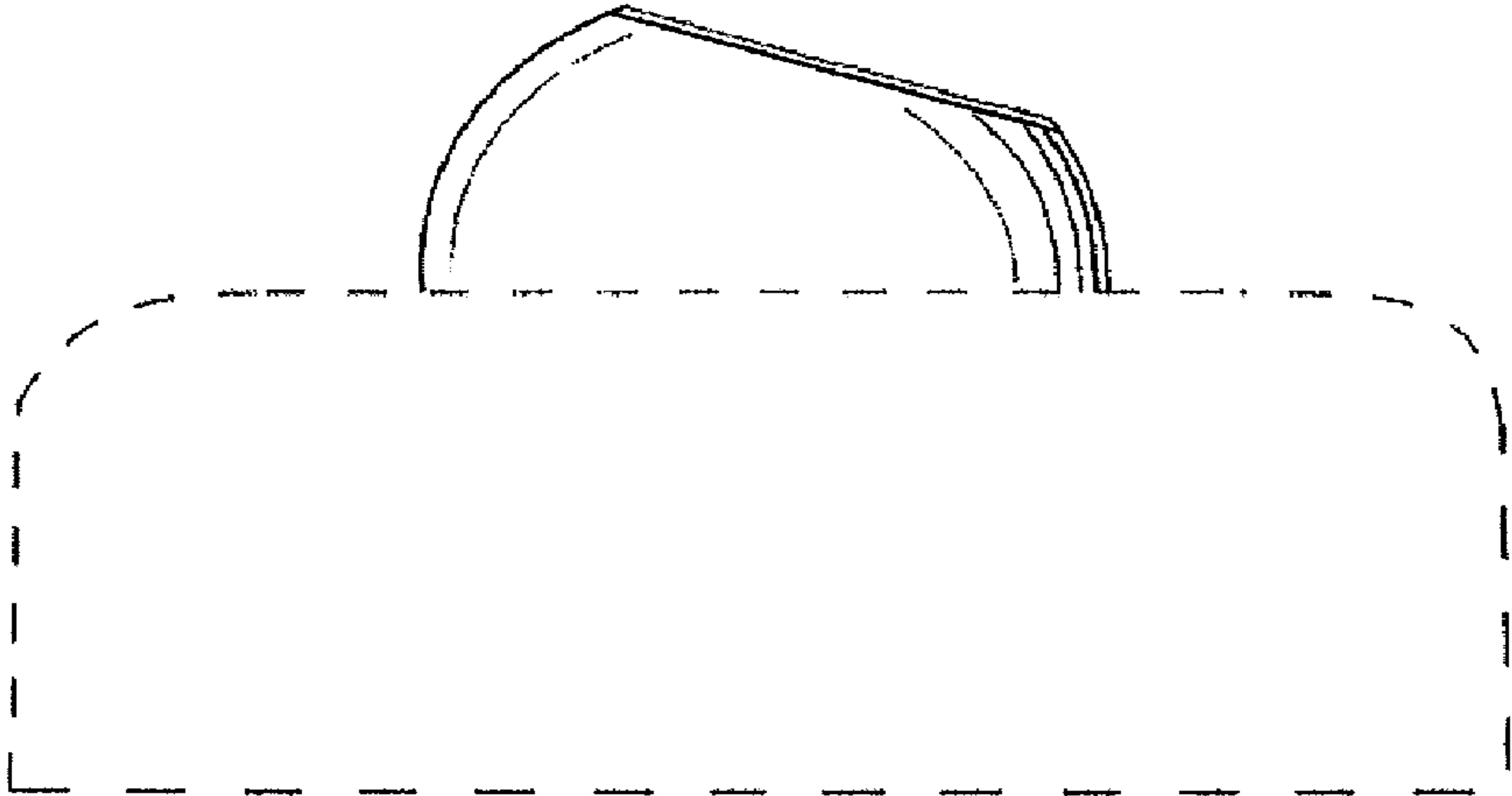


FIG. 3

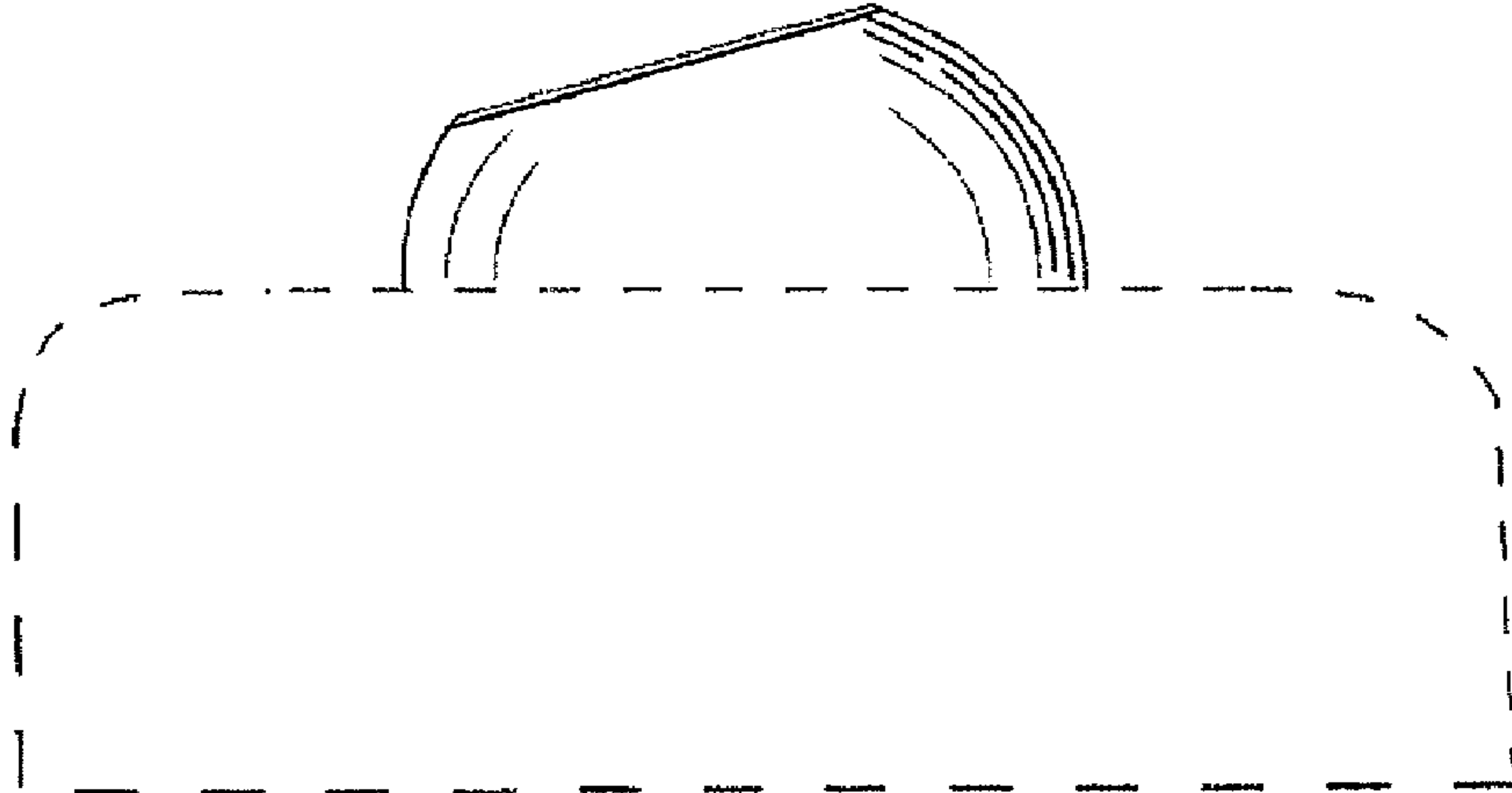


FIG. 4

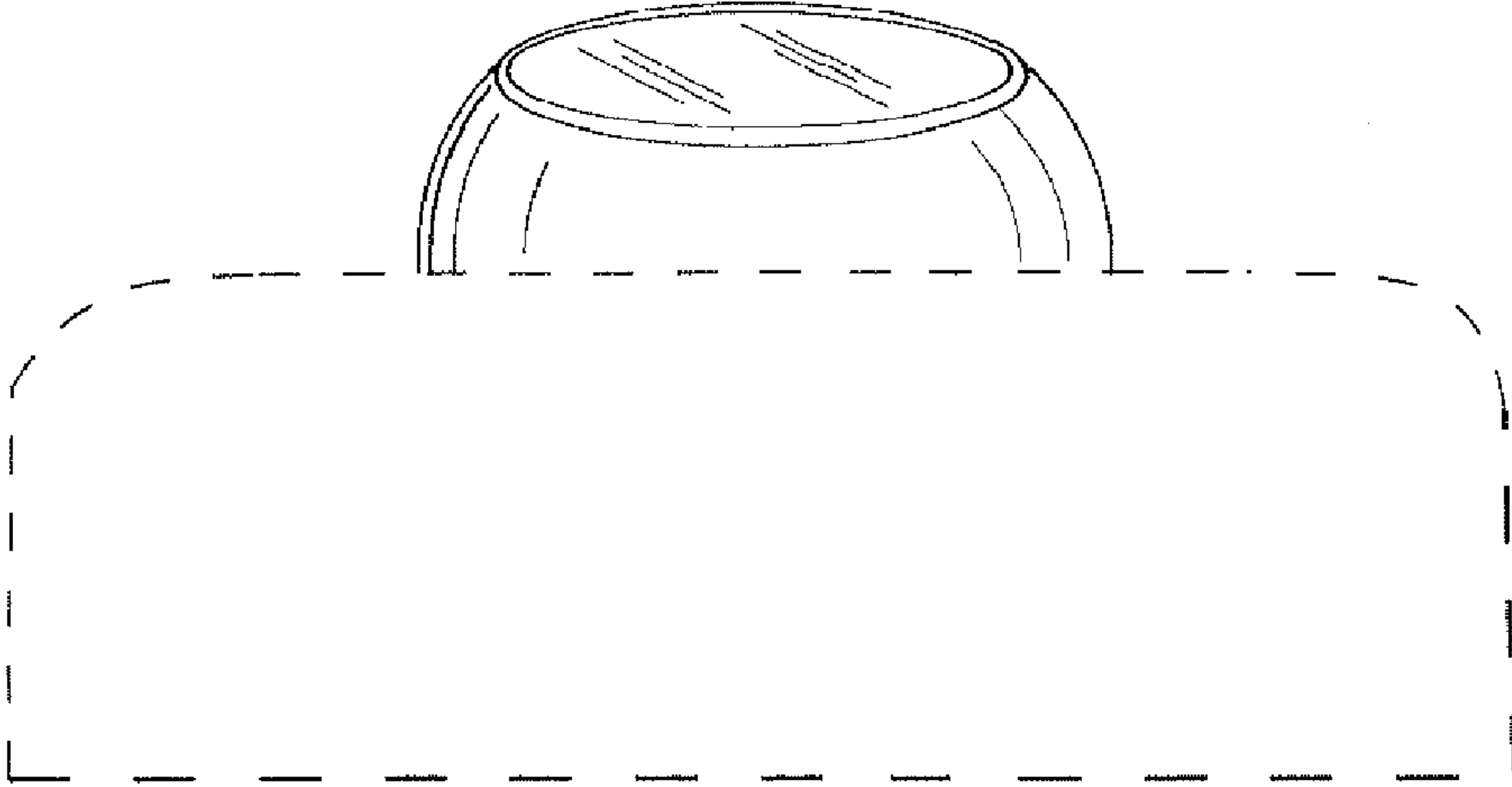


FIG. 5

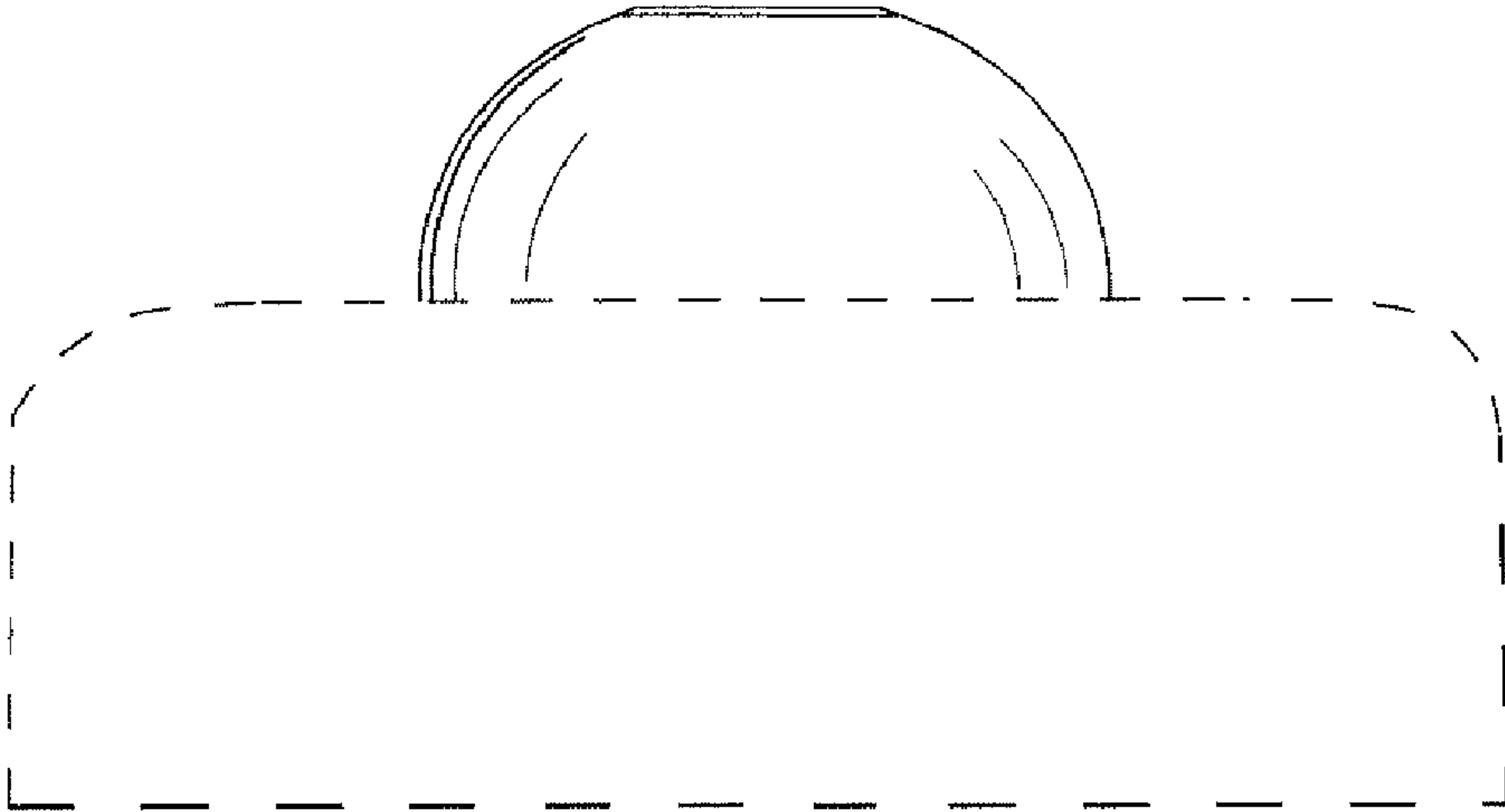


FIG. 6

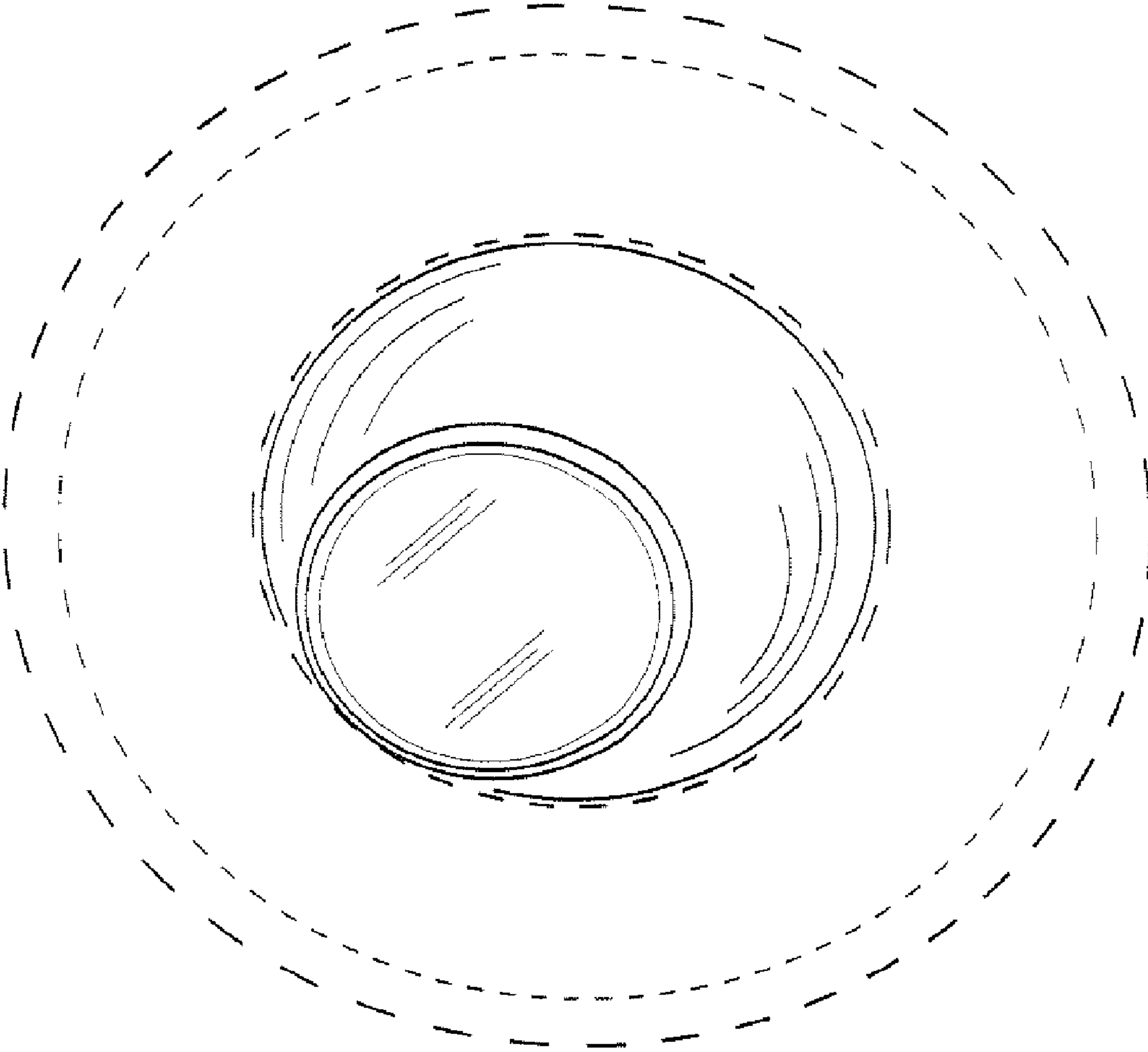


FIG. 7