



US00D632004S

(12) **United States Design Patent**  
**Waldmann**

(10) **Patent No.:** **US D632,004 S**

(45) **Date of Patent:** **\*\* Feb. 1, 2011**

(54) **HANGING LAMP**

(75) Inventor: **Gerhard Waldmann**, Stein am Rhein  
(CH)

(73) Assignee: **Herbert Waldmann GmbH & Co. KG**,  
Villingen-Schwenningen (DE)

(\*\*) Term: **14 Years**

(21) Appl. No.: **29/368,514**

(22) Filed: **Aug. 25, 2010**

(30) **Foreign Application Priority Data**

Feb. 26, 2010 (DE) ..... 40 2010 001 074

(51) **LOC (9) Cl.** ..... **26-03**

(52) **U.S. Cl.** ..... **D26/88; D26/76**

(58) **Field of Classification Search** ..... D26/74,  
D26/75-78, 88-91; 362/147, 217.01, 217.04,  
362/217.06, 217.07, 218, 294

See application file for complete search history.

(56) **References Cited**

**U.S. PATENT DOCUMENTS**

D121,590 S *	7/1940	Heath	.....	D26/76
2,506,951 A *	5/1950	Doane	.....	362/341
D468,474 S *	1/2003	Poulton	.....	D26/90
D487,598 S *	3/2004	Schuetz et al.	.....	D26/76
D503,821 S *	4/2005	Waldmann	.....	D26/78
D511,852 S *	11/2005	Benensohn	.....	D26/76
D512,173 S *	11/2005	Benensohn	.....	D26/76
D512,792 S *	12/2005	Benensohn	.....	D26/76
D564,694 S *	3/2008	Southern, Jr.	.....	D26/85
D570,026 S *	5/2008	Waldmann	.....	D26/76
D584,848 S *	1/2009	Menke	.....	D26/88
D591,443 S *	4/2009	Beno et al.	.....	D26/88

D595,890 S \* 7/2009 Sabernig ..... D26/88  
D602,626 S \* 10/2009 Santoro et al. .... D26/76

\* cited by examiner

*Primary Examiner*—Clare E Heflin

(74) *Attorney, Agent, or Firm*—Lackenbach Siegel, LLP;  
Andrew F. Young

(57) **CLAIM**

The ornamental design for a hanging lamp, as shown and described.

**DESCRIPTION**

FIG. 1 is a perspective view of a first embodiment of the invention.

FIG. 2 is a right side elevation view of FIG. 1.

FIG. 3 is a front elevation view of FIG. 1.

FIG. 4 is a left side elevation view of FIG. 1.

FIG. 5 is a rear elevation view of FIG. 1.

FIG. 6 is a top plan view of FIG. 1

FIG. 7 is a bottom plan view of FIG. 1

FIG. 8 is a perspective view of a second embodiment of the invention.

FIG. 9 is a right side elevation view of FIG. 8.

FIG. 10 is a front elevation view of FIG. 8.

FIG. 11 is a left side elevation view of FIG. 8.

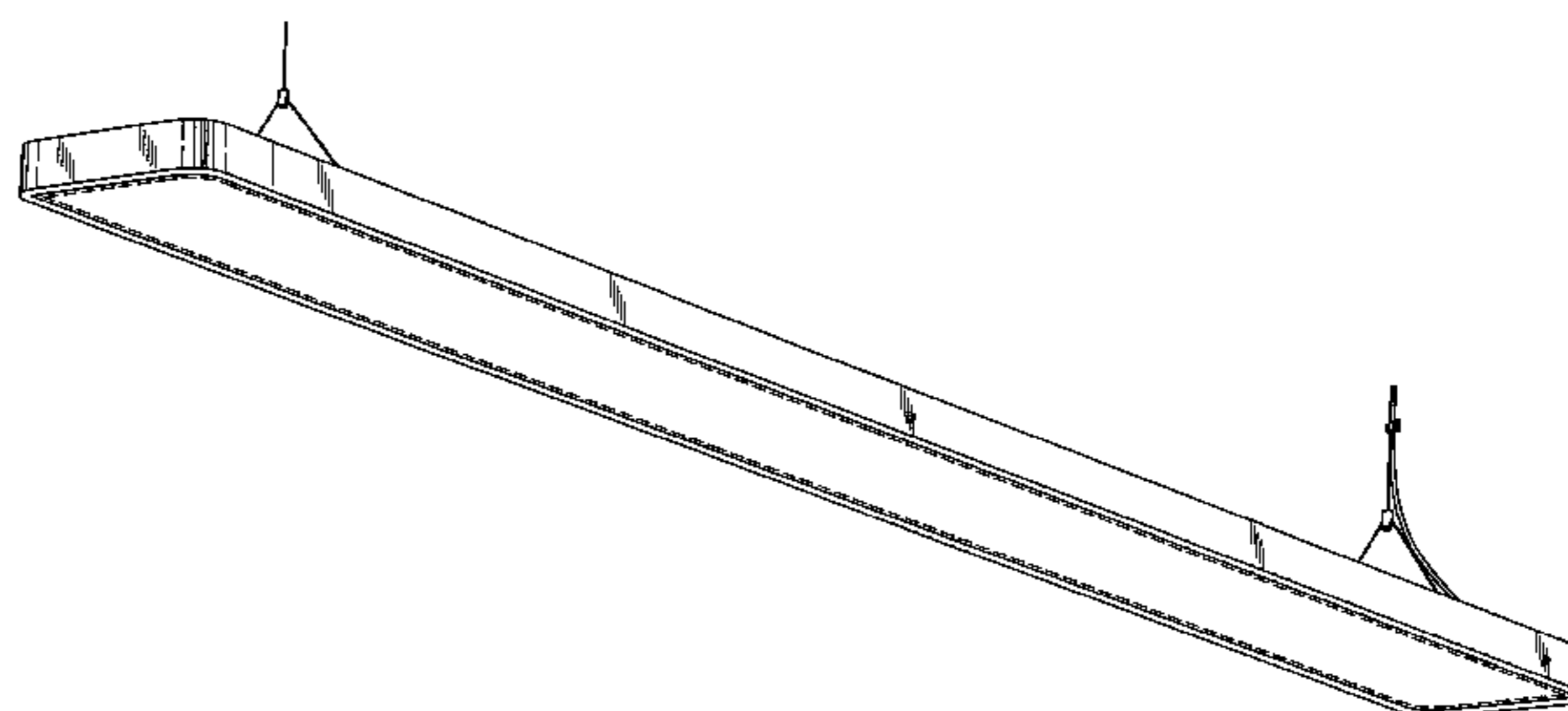
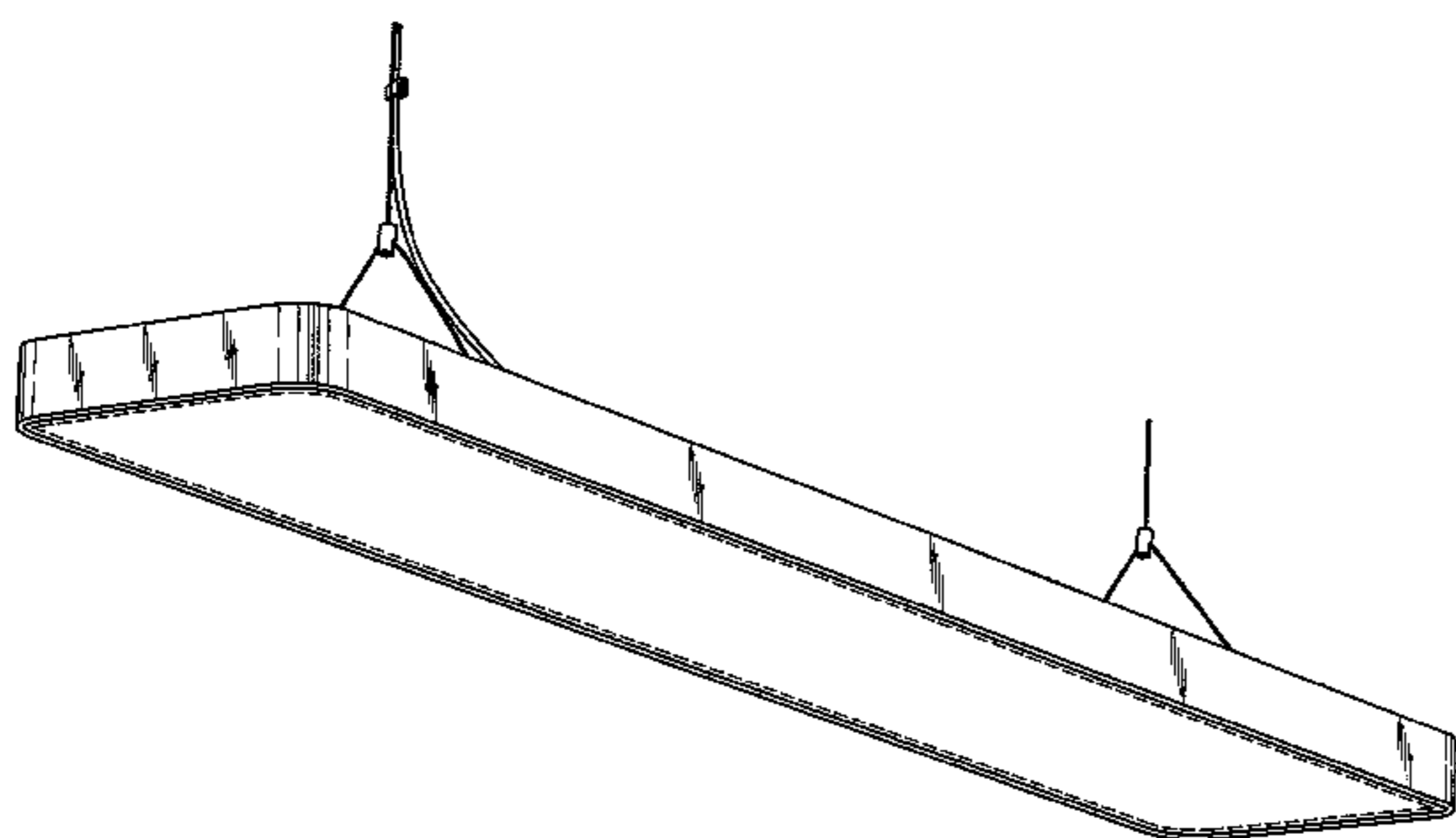
FIG. 12 is a rear elevation view of FIG. 8.

FIG. 13 is a top plan view of FIG. 8; and,

FIG. 14 is a bottom plan view of FIG. 8.

The dashed lines in FIGS. 1-14 are for illustrative purposes only and form no part of the claimed design.

**1 Claim, 11 Drawing Sheets**



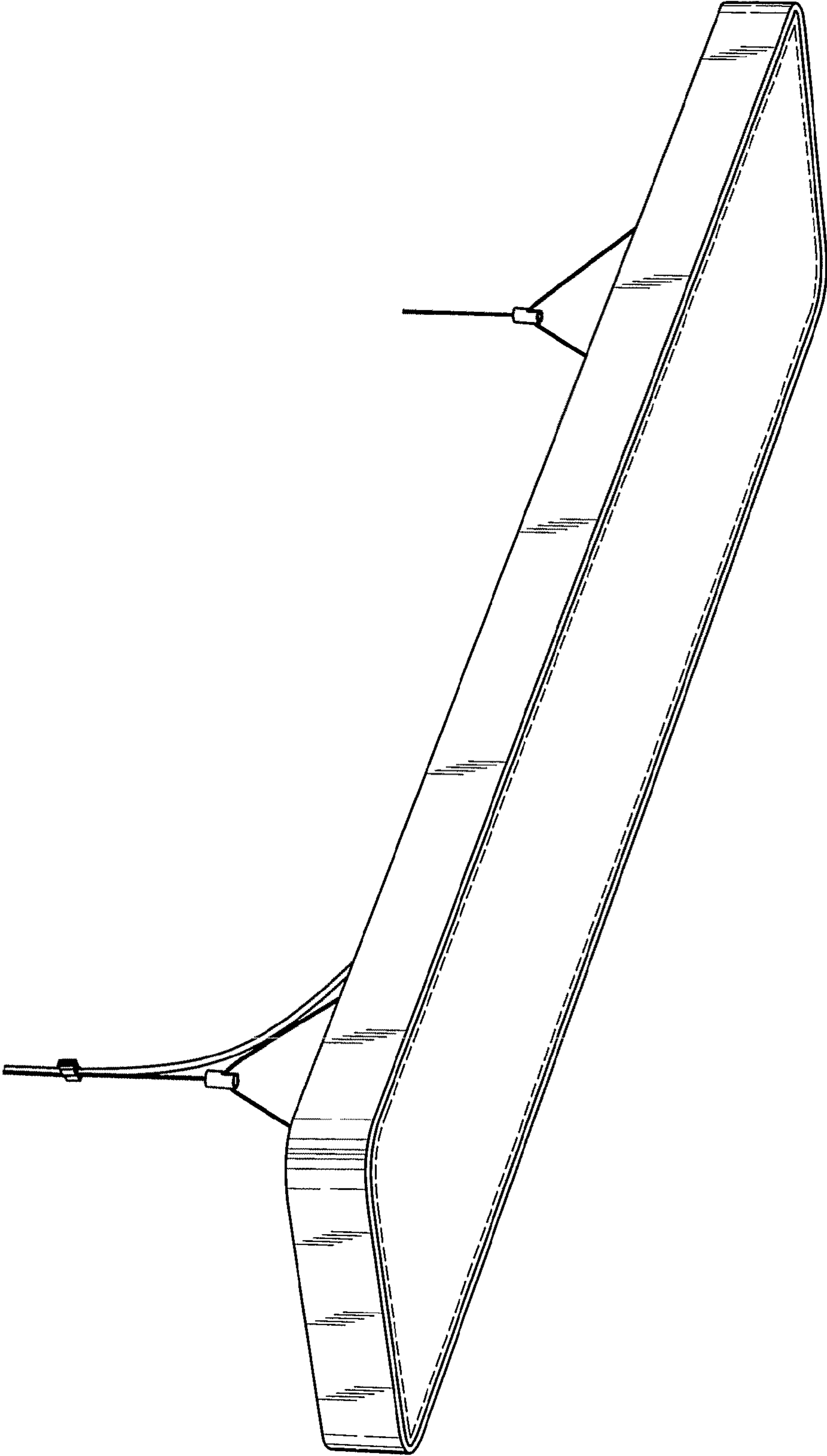


Fig. 1



Fig. 2

Fig. 3

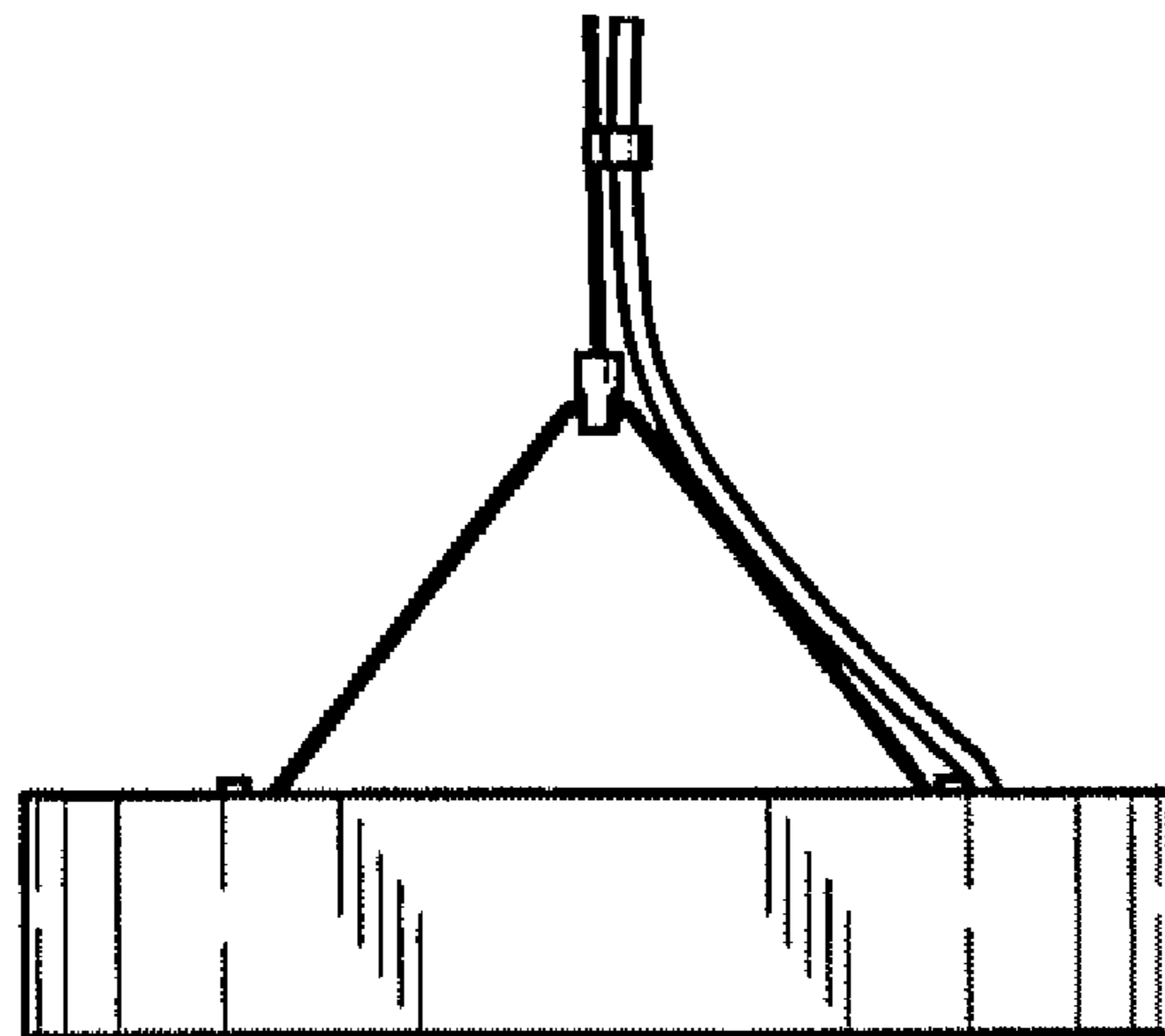




Fig. 4

**Fig. 5**

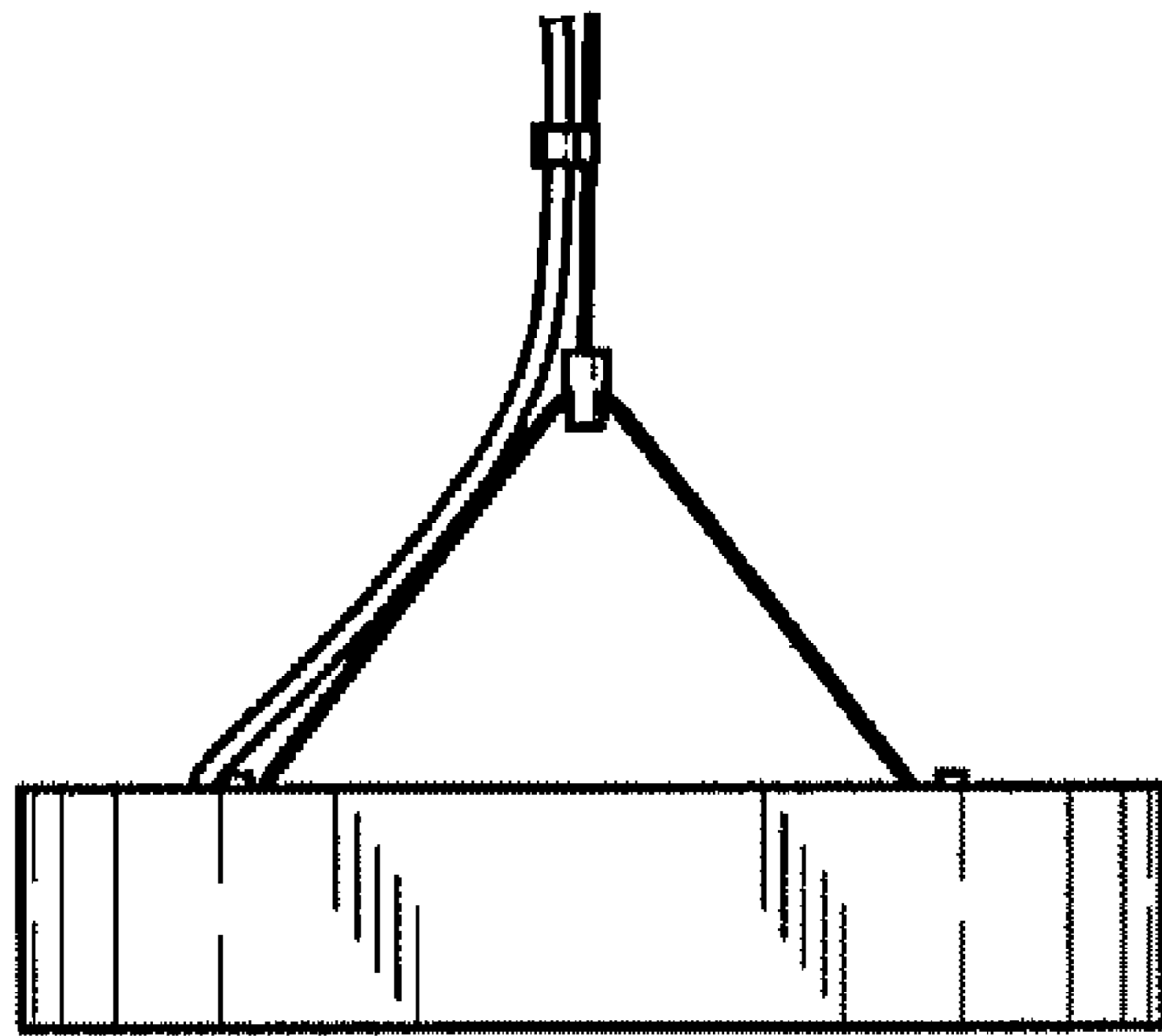


Fig. 6

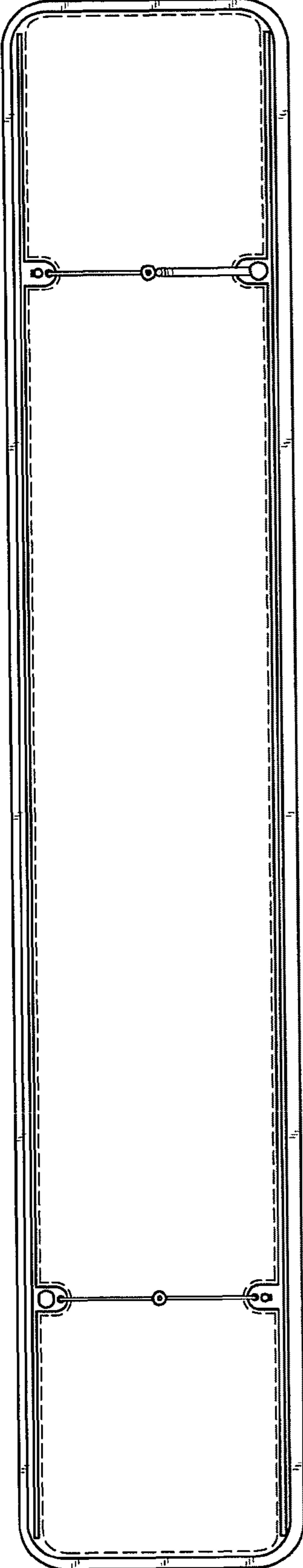
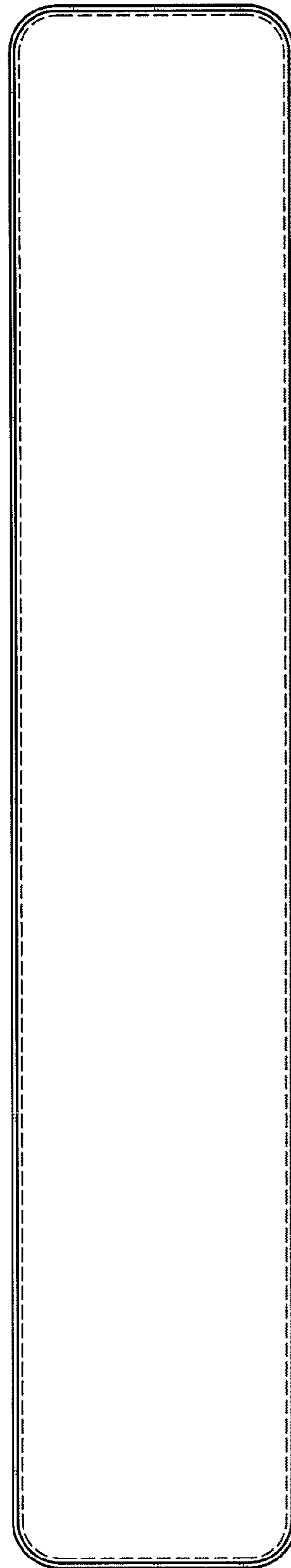


Fig. 7





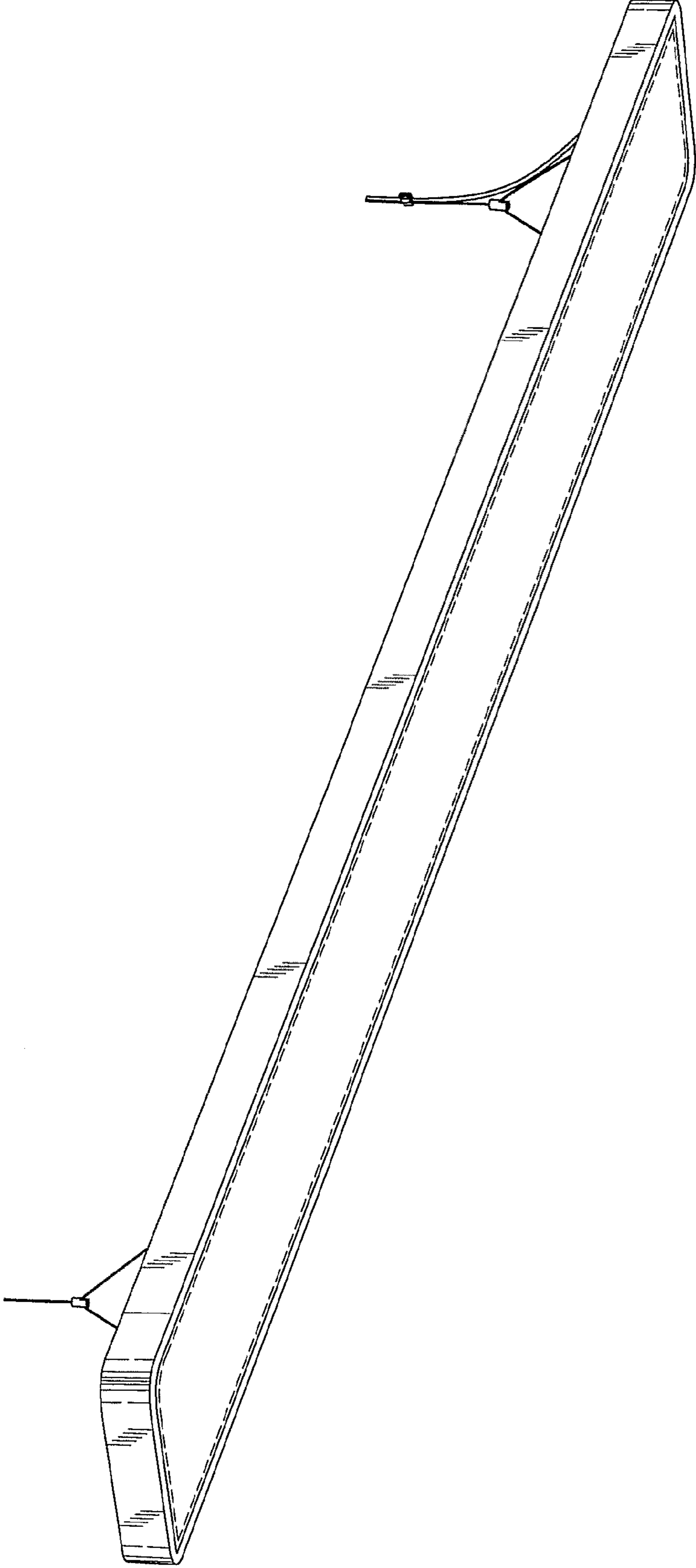


Fig. 8

Fig. 9

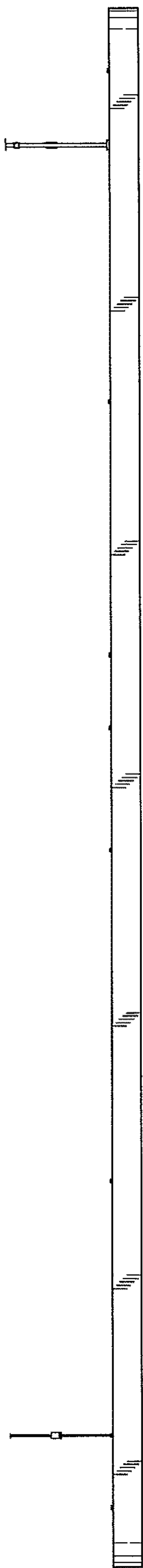


Fig. 10

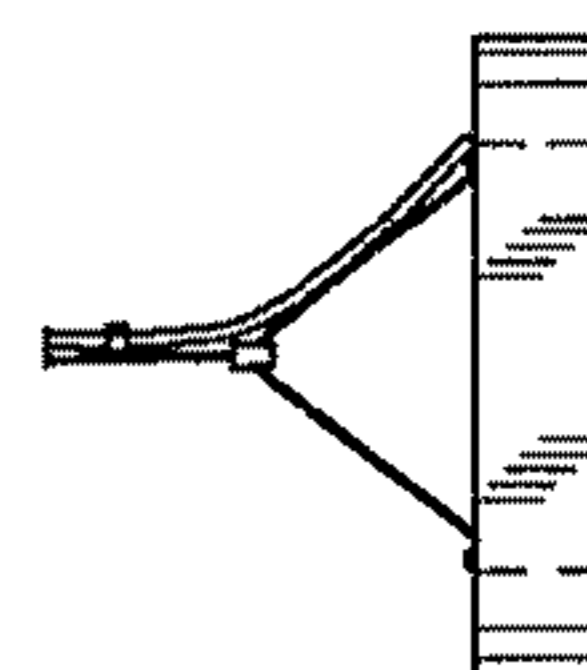


Fig. 11

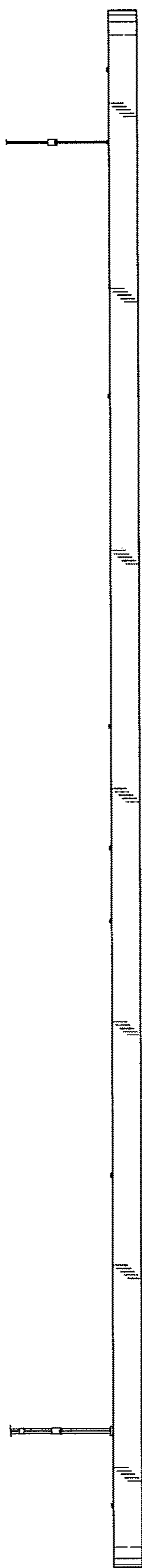


Fig. 12

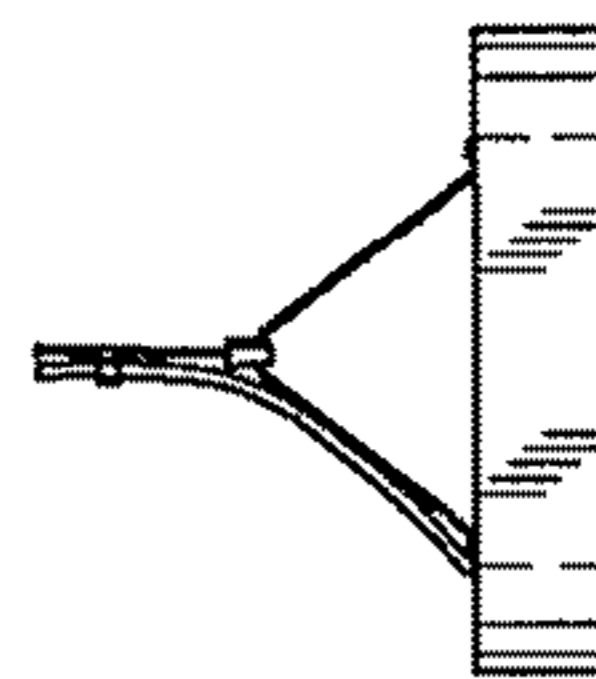


Fig. 13

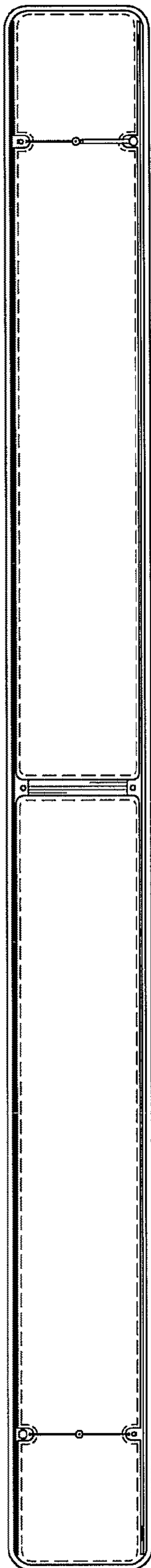


Fig. 14

