

US00D632003S

(12) **United States Design Patent**
Jordan

(10) **Patent No.:** **US D632,003 S**
(45) **Date of Patent:** **** Feb. 1, 2011**

(54) **LIGHTING FIXTURE**

Kyoto Pendant, Model 1020, designed by Deirdre Jordan, 2-pages, 2008.

(75) Inventor: **Deirdre Jordan**, Evanston, IL (US)

(Continued)

(73) Assignee: **Boyd Lighting Fixture Company**, San Francisco, CA (US)

Primary Examiner—Clare E Heflin
(74) *Attorney, Agent, or Firm*—Heslin Rothenberg Farley & Mesiti P.C.

(**) Term: **14 Years**

(21) Appl. No.: **29/360,239**

(57) **CLAIM**

(22) Filed: **Apr. 22, 2010**

The ornamental design for a lighting fixture, as shown and described.

(51) **LOC (9) Cl.** **26-03**

(52) **U.S. Cl.** **D26/88**

(58) **Field of Classification Search** D26/84–92,
D26/120, 128–130; 362/147, 404–408, 431,
362/432

See application file for complete search history.

DESCRIPTION

(56) **References Cited**

U.S. PATENT DOCUMENTS

1,090,795	A *	3/1914	Schoendardt	362/355
D64,110	S *	3/1924	Cooper	D26/88
D89,305	S *	2/1933	Hale	D26/88
D167,080	S *	6/1952	Huegel	D26/88
D382,662	S	8/1997	Shalvi		
D399,330	S *	10/1998	Geier et al.	D26/88
D441,119	S	4/2001	Crosby		
D445,943	S *	7/2001	Littman	D26/87
D455,518	S *	4/2002	Littman	D26/87
D456,550	S	4/2002	Clodagh		
D536,468	S	2/2007	Crosby		
D536,820	S	2/2007	Crosby		
D558,912	S *	1/2008	Crosby et al.	D26/88
D566,320	S *	4/2008	Kim	D26/88
D580,585	S	11/2008	Otero		
D585,582	S *	1/2009	Campbell	D26/88
D596,783	S *	7/2009	Silver	D26/90
D605,333	S *	12/2009	Miranda	D26/88
D620,184	S *	7/2010	Sabernig	D26/88

OTHER PUBLICATIONS

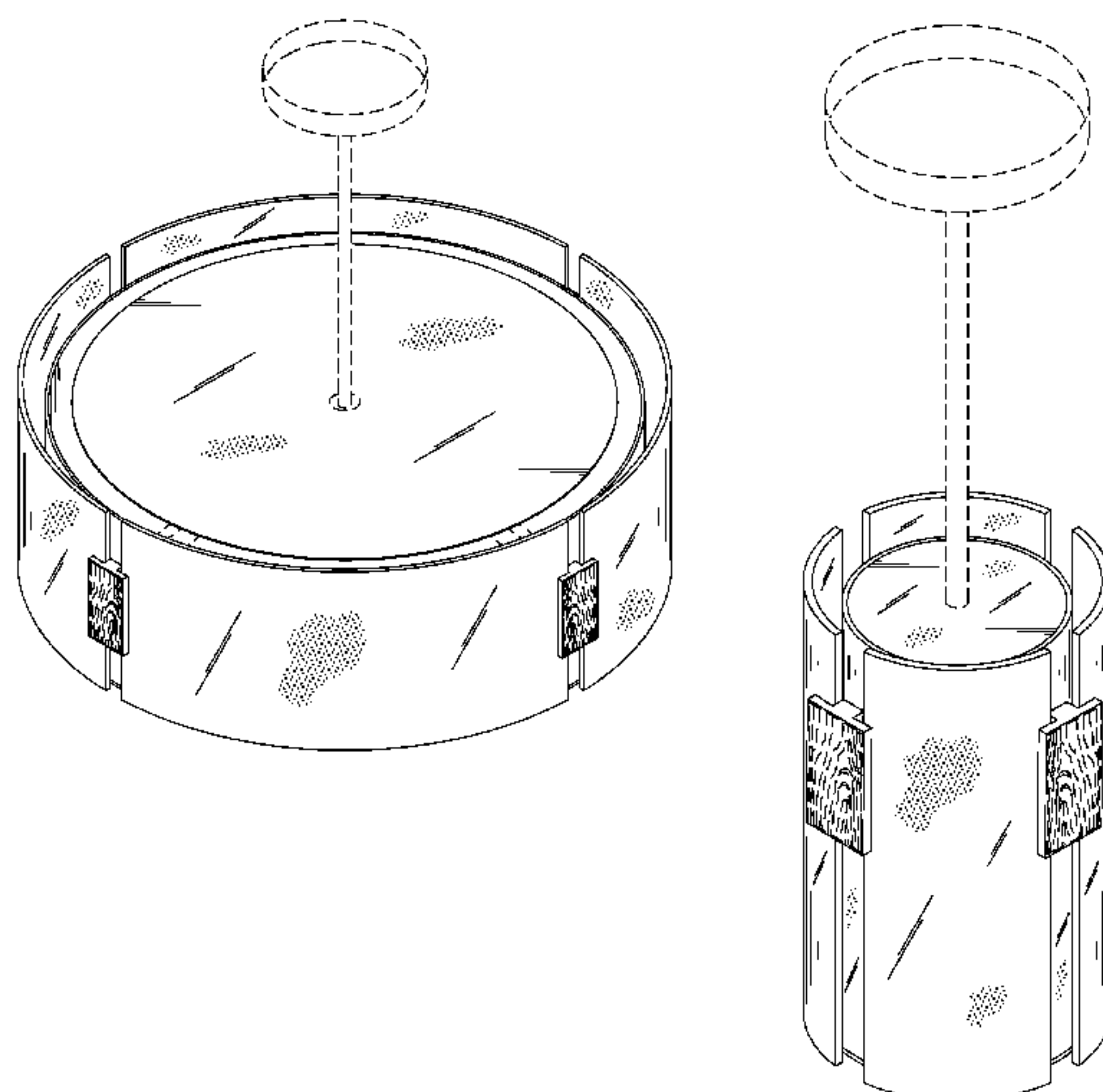
Parasol Pendant, Model 10133, designed by Laura Kirar, 2-pages, 2008.

FIG. 1 is an isometric view of a lighting fixture in accordance with the new design configured as a pendant;
 FIG. 2 is a front elevational view thereof, a rear elevational view being a mirror image thereof;
 FIG. 3 is a right side elevational view thereof, a left side elevational view being a mirror image thereof;
 FIG. 4 is a top view thereof;
 FIG. 5 is a bottom view thereof;
 FIG. 6 is an isometric view of another embodiment of the lighting fixture in accordance with the new design configured as a lantern;
 FIG. 7 is a front elevational view thereof, a rear elevational view being a mirror image thereof;
 FIG. 8 is a right side elevational view thereof, a left side elevational view being a mirror image thereof;
 FIG. 9 is a top view thereof; and,
 FIG. 10 is a bottom view thereof.

The broken lines in the figures are for illustration purposes only and form no part of the claimed invention.

The area of the lighting fixtures represented by the stippling and oblique lines can be transparent, translucent or opaque, and the area of the lighting fixtures represented without the stippling and oblique lines can be transparent, translucent or opaque. These areas do not have to exhibit the same transparent, translucent or opaque characteristic.

1 Claim, 9 Drawing Sheets



OTHER PUBLICATIONS

Crisscross Pendant, Model 10118, designed by Doyle Crosby,
2-pages, 2007.

Palos Verdes Pendant, Model 10035, designed by Barbara Barry,
2-pages, 2008.

* cited by examiner

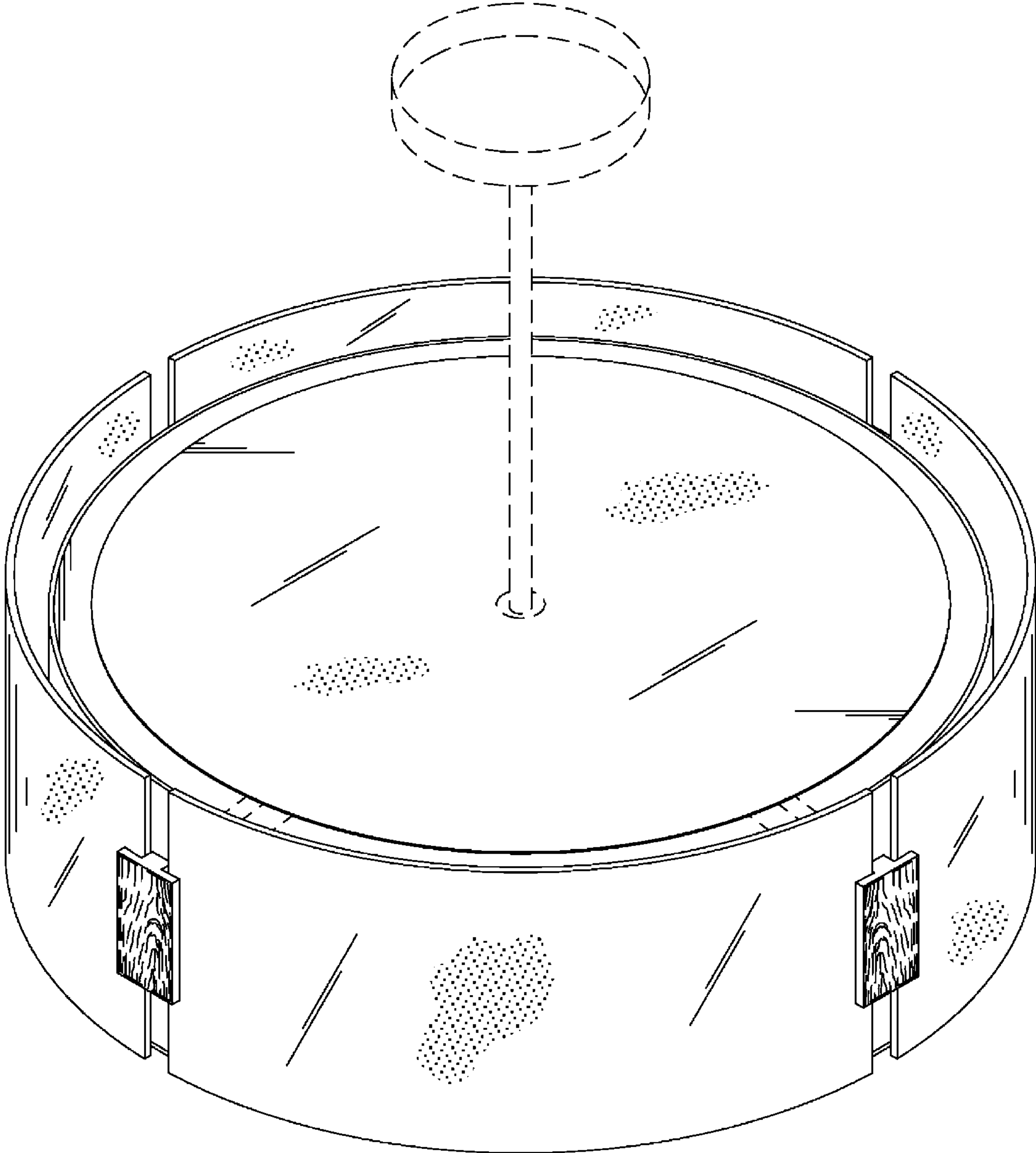


FIG. 1

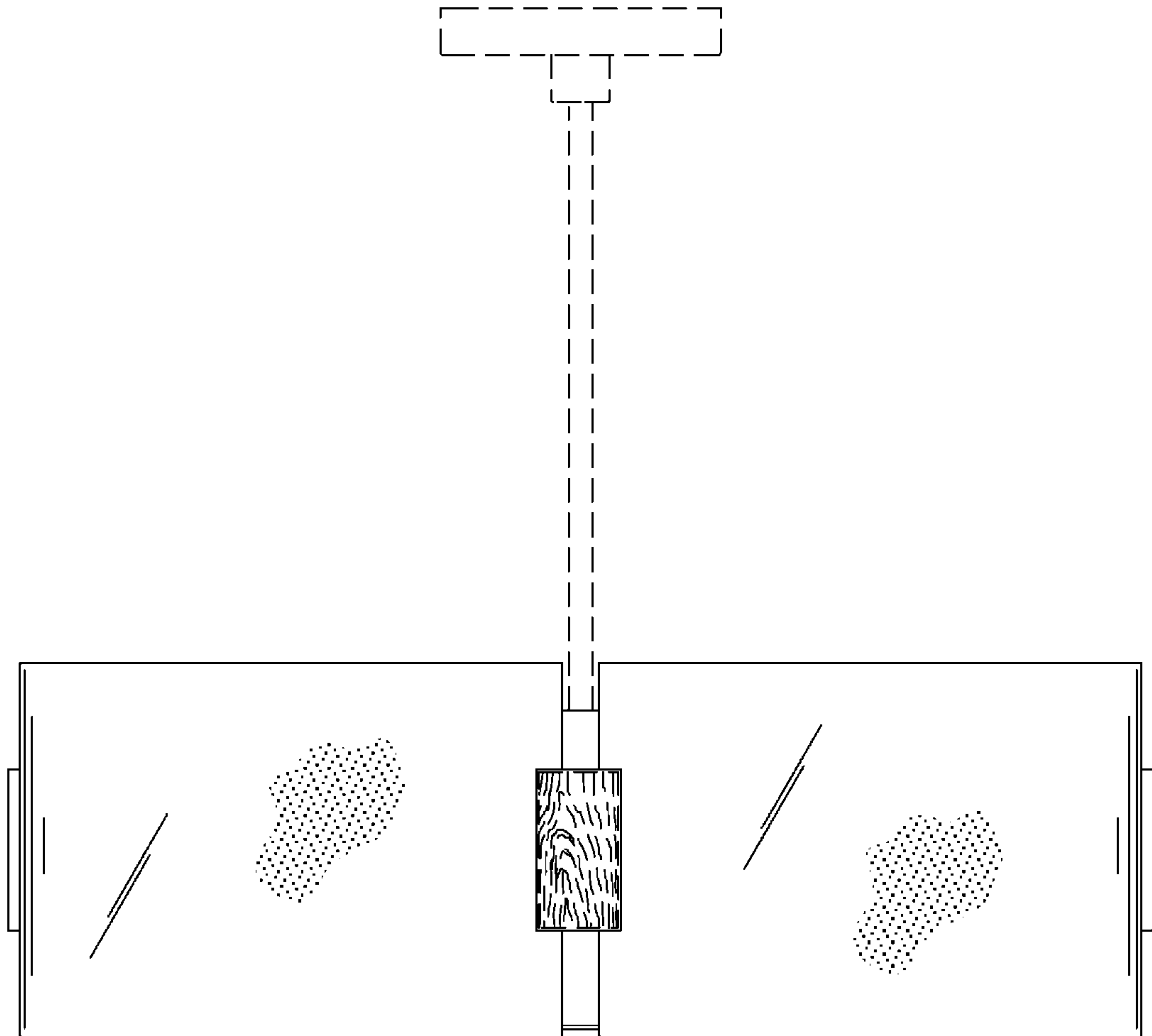


FIG. 2

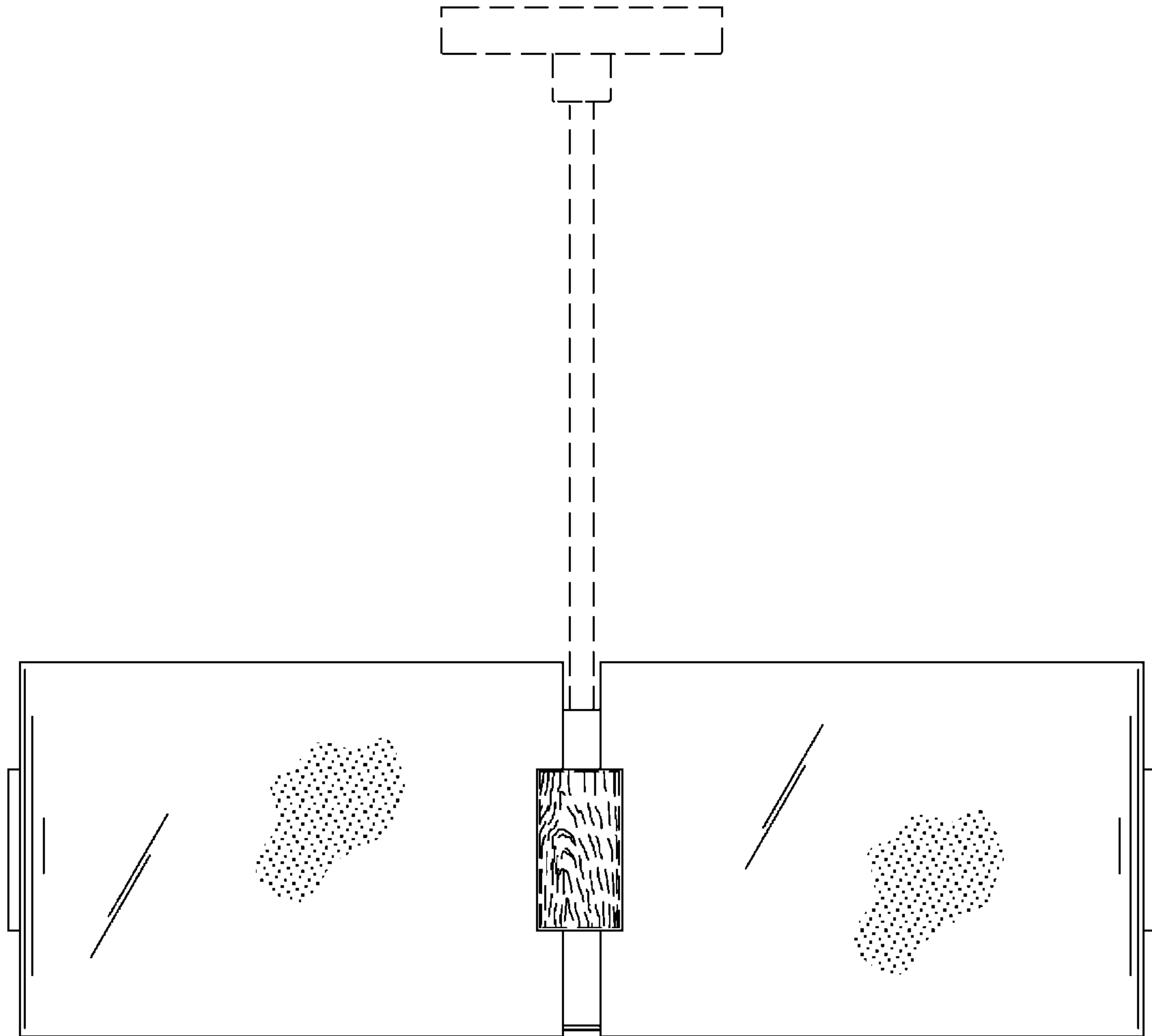


FIG. 3

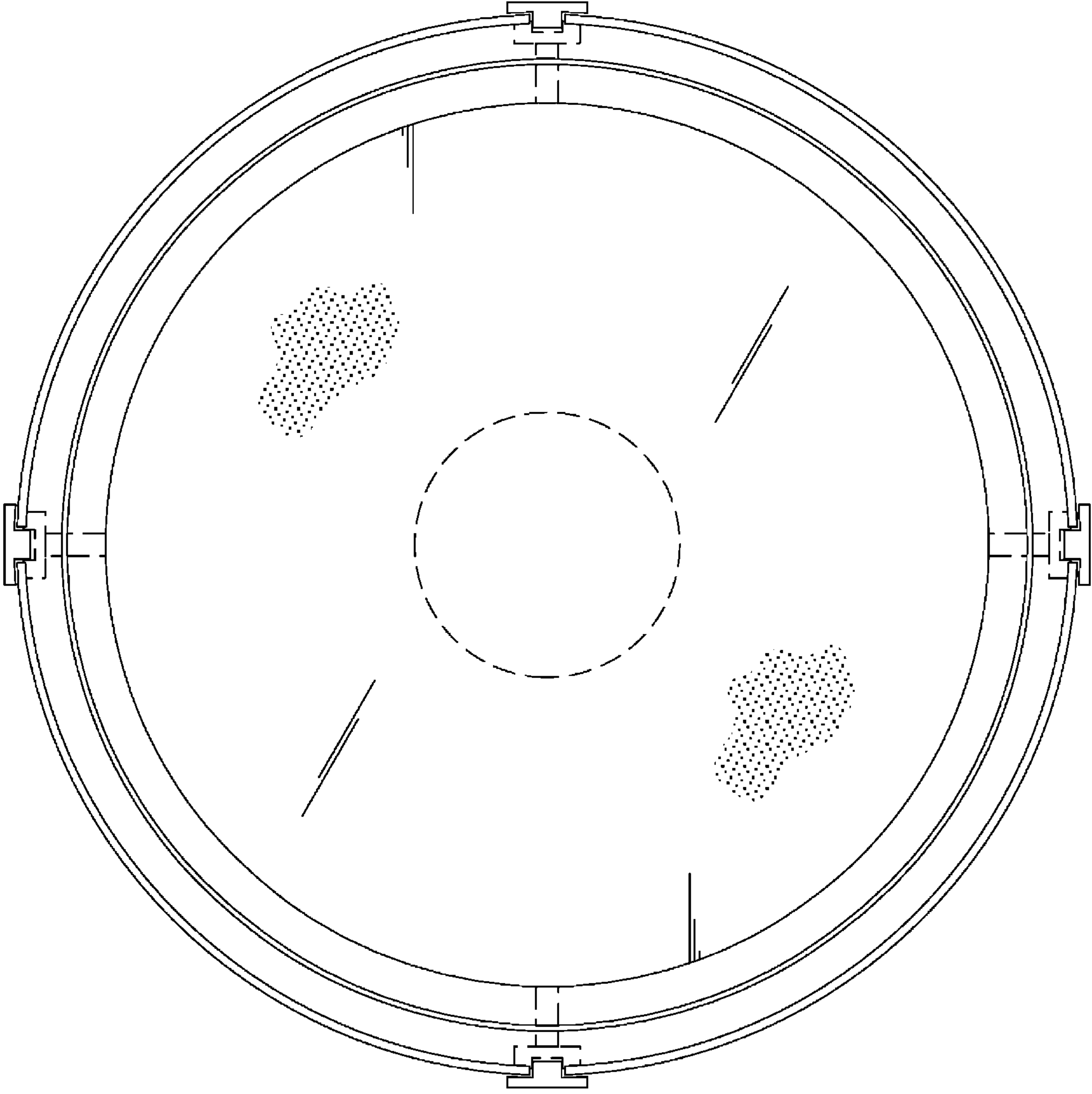


FIG. 4

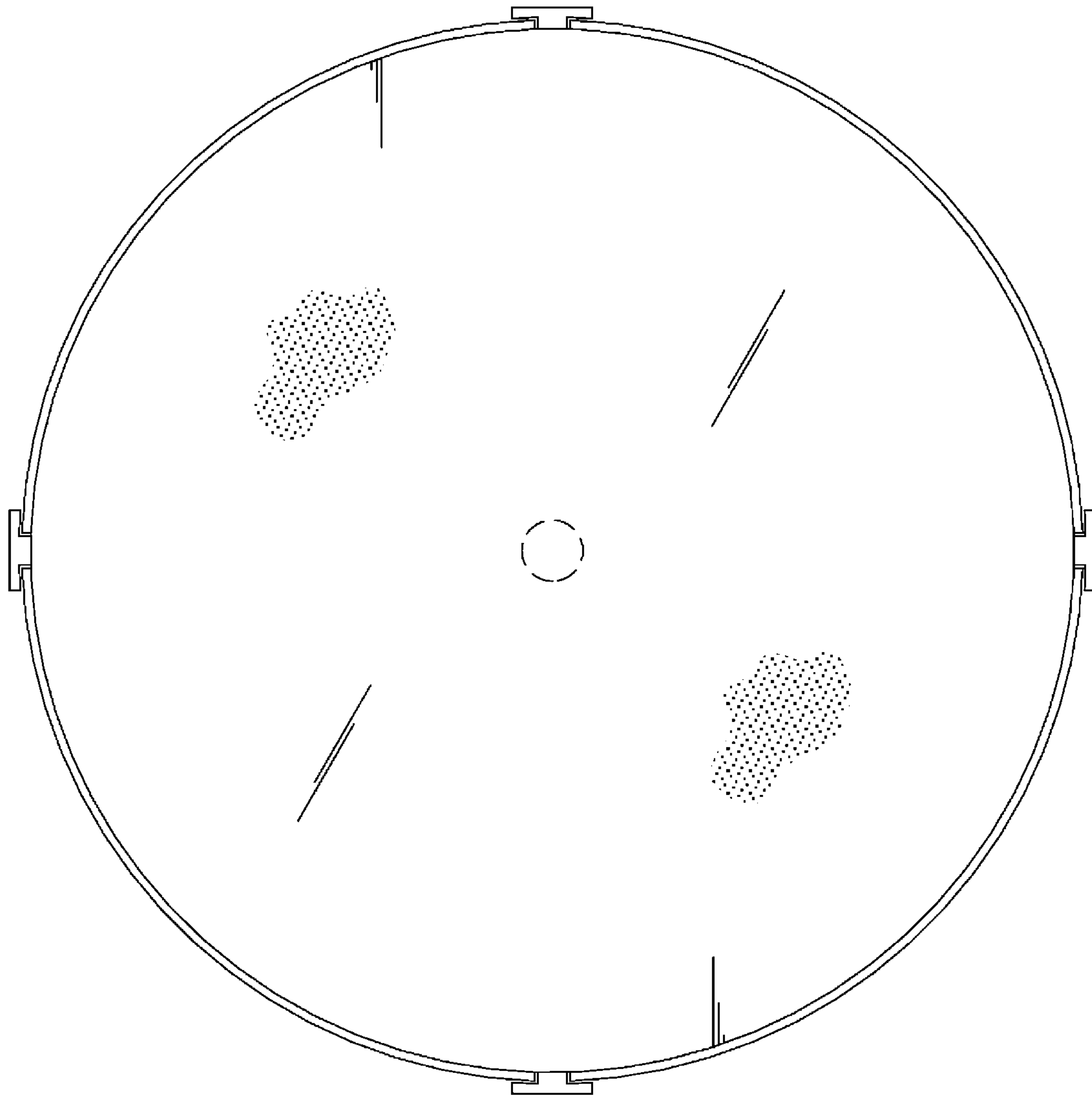


FIG. 5

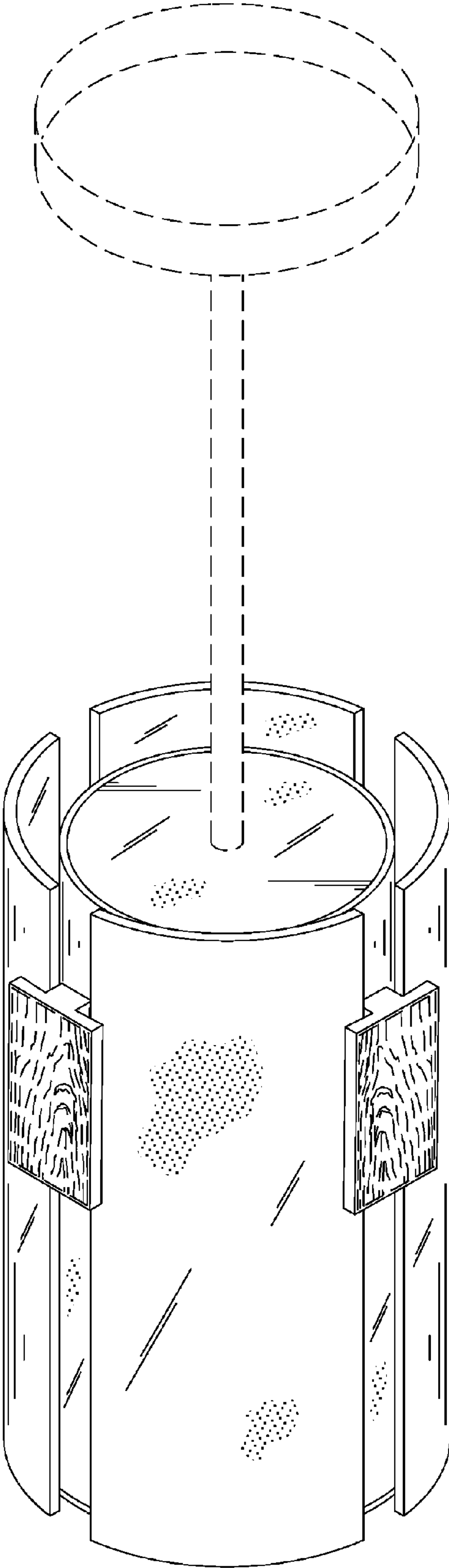


FIG. 6

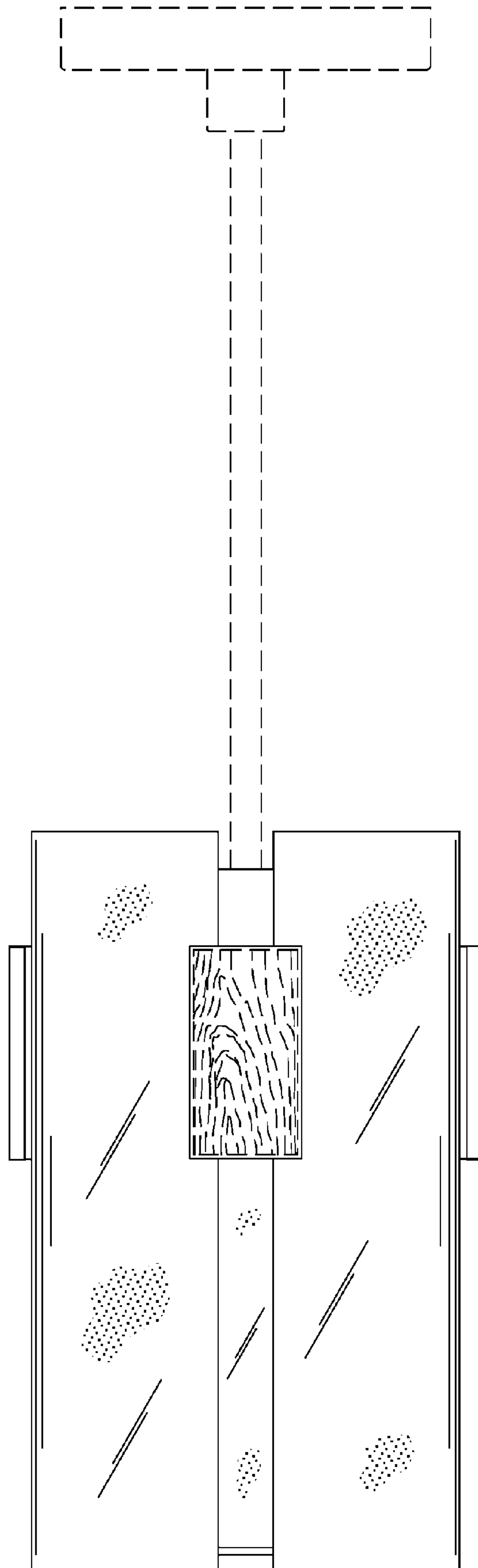


FIG. 7

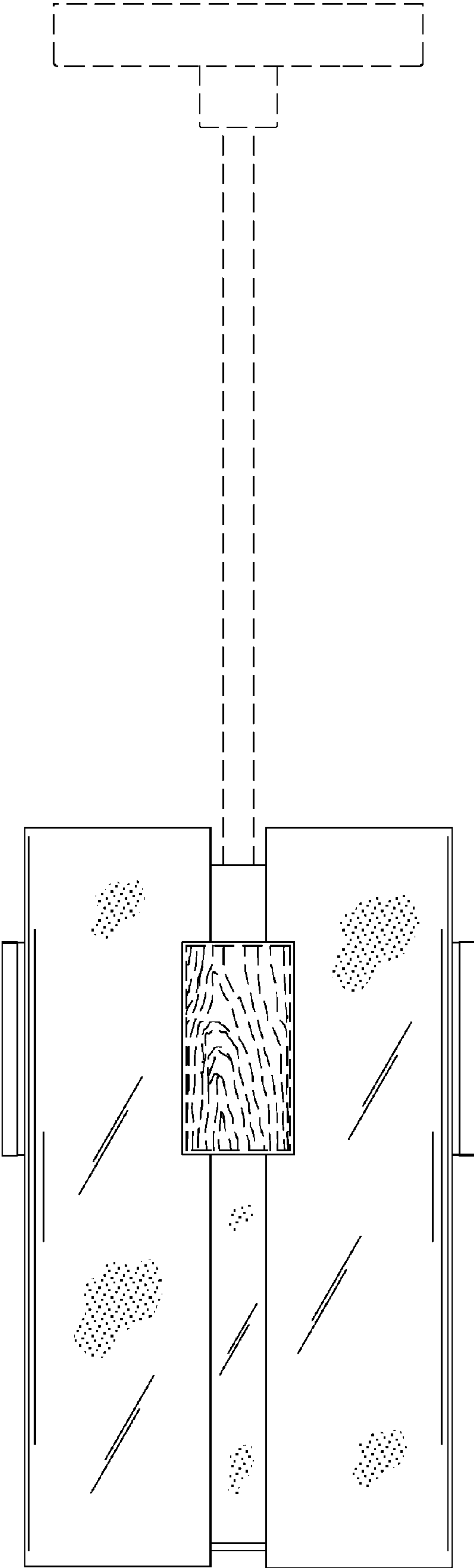


FIG. 8

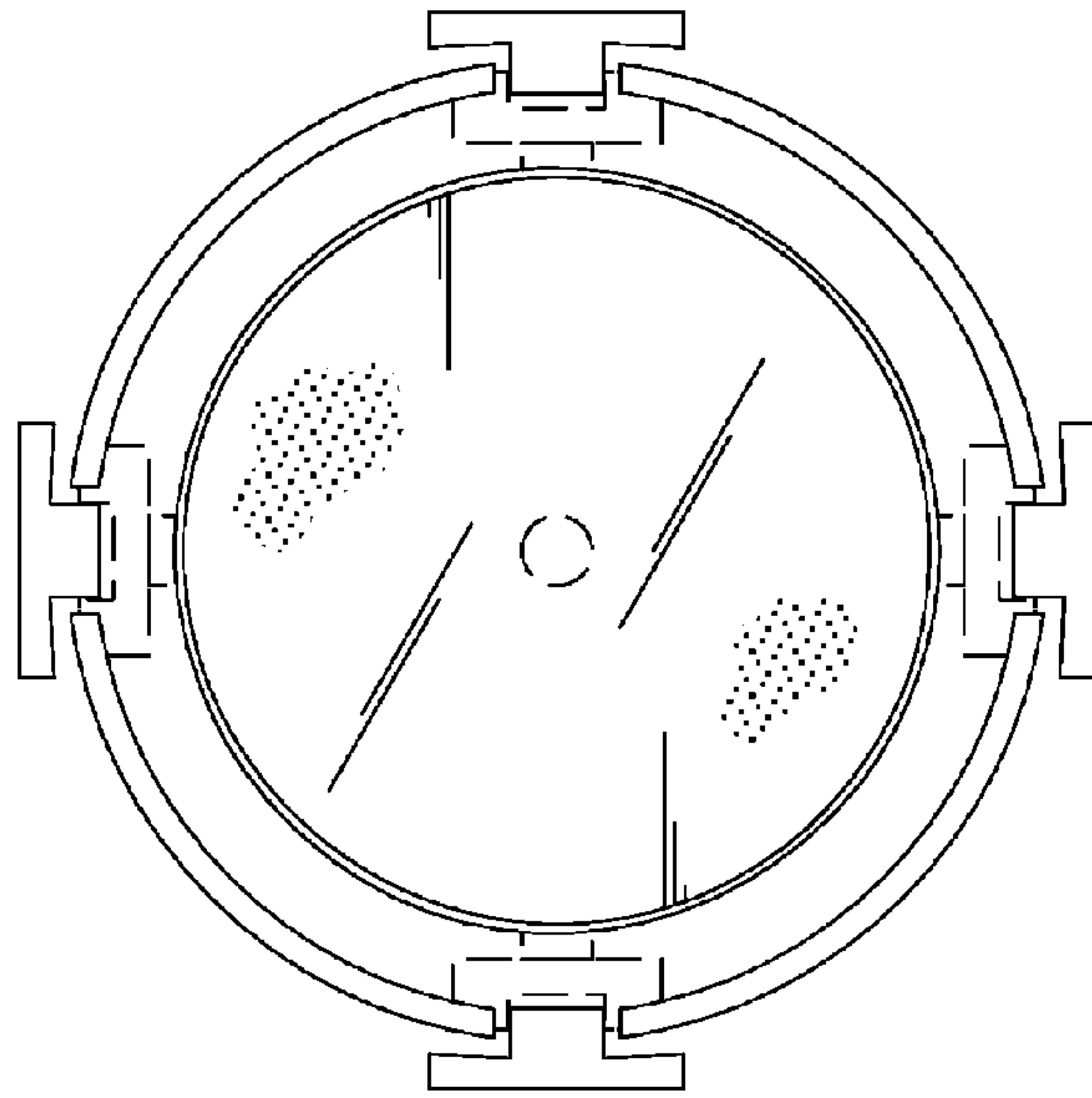


FIG. 9

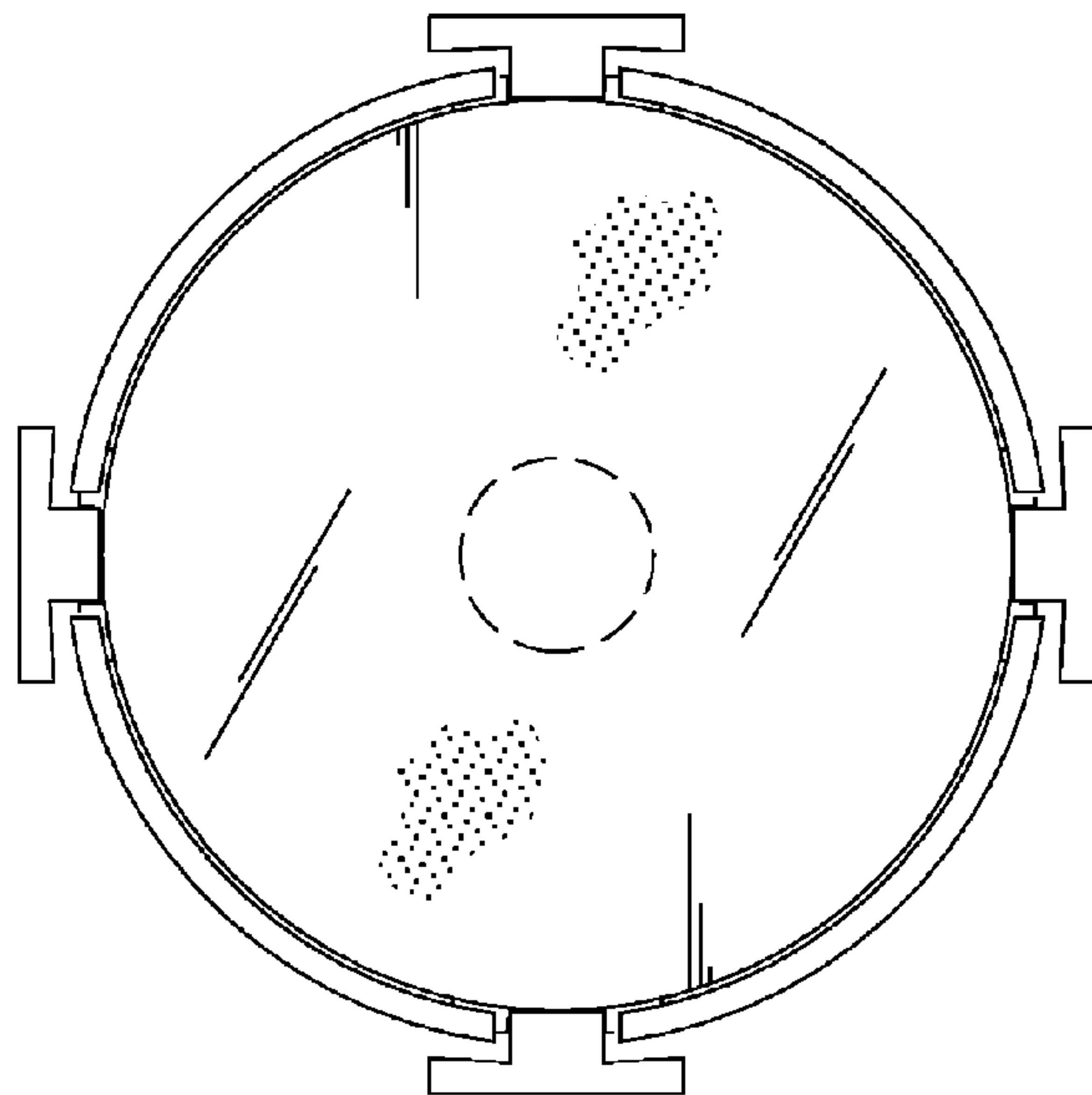


FIG. 10