



US00D632001S

(12) **United States Design Patent**  
**Kong et al.**

(10) **Patent No.:** **US D632,001 S**  
(45) **Date of Patent:** **\*\* Feb. 1, 2011**

(54) **STREETLAMP HEAD**

(75) Inventors: **Kyung-II Kong**, Seoul (KR); **Han Gyoul Kim**, Seoul (KR); **Hwayoung Kim**, Yongin (KR); **Ji Yeon Hyun**, Seongham (KR)

(73) Assignee: **LG Innotek Co., Ltd.**, Seoul (KR)

(\*\*) Term: **14 Years**

(21) Appl. No.: **29/362,802**

(22) Filed: **Jun. 1, 2010**

(30) **Foreign Application Priority Data**

Apr. 10, 2010 (KR) ..... 30-2010-0015953

(51) **LOC (9) Cl.** ..... **26-05**

(52) **U.S. Cl.** ..... **D26/71**

(58) **Field of Classification Search** ..... D26/67-71, D26/80, 85, 92, 113, 138, 141, 152; 362/145, 362/183, 231, 240, 249.02, 249.03, 249.04, 362/249.06, 249.16, 373, 431  
See application file for complete search history.

(56) **References Cited**

**U.S. PATENT DOCUMENTS**

D186,130 S \* 9/1959 Izzi et al. .... D26/71  
2,916,609 A \* 12/1959 Barchmann et al. .... 362/374  
D195,583 S \* 7/1963 Phillips ..... D26/71

D563,012 S \* 2/2008 Citterio ..... D26/63  
D576,762 S \* 9/2008 Conroy ..... D26/138  
D578,697 S \* 10/2008 Zheng et al. .... D26/71  
D580,087 S \* 11/2008 Couture et al. .... D26/76  
D599,939 S \* 9/2009 Zheng et al. .... D26/71  
D603,549 S \* 11/2009 Ng ..... D26/80  
D607,597 S \* 1/2010 Choi ..... D26/80  
2009/0034257 A1 \* 2/2009 Liu et al. .... 362/252  
2009/0185374 A1 \* 7/2009 Wu et al. .... 362/249.06  
2009/0251898 A1 \* 10/2009 Kinnune et al. .... 362/249.02

\* cited by examiner

*Primary Examiner*—Clare E Heflin

(74) *Attorney, Agent, or Firm*—Park, Kim & Suh, LLC

(57) **CLAIM**

The ornamental design for a streetlamp head, as shown and described.

**DESCRIPTION**

FIG. 1 is a perspective view of a streetlamp head showing our new design;

FIG. 2 is a front view thereof;

FIG. 3 is a rear view thereof;

FIG. 4 is a left side view thereof, a right side view being a mirror image of the left side view;

FIG. 5 is a top plan view thereof; and,

FIG. 6 is a bottom plan view thereof.

**1 Claim, 5 Drawing Sheets**

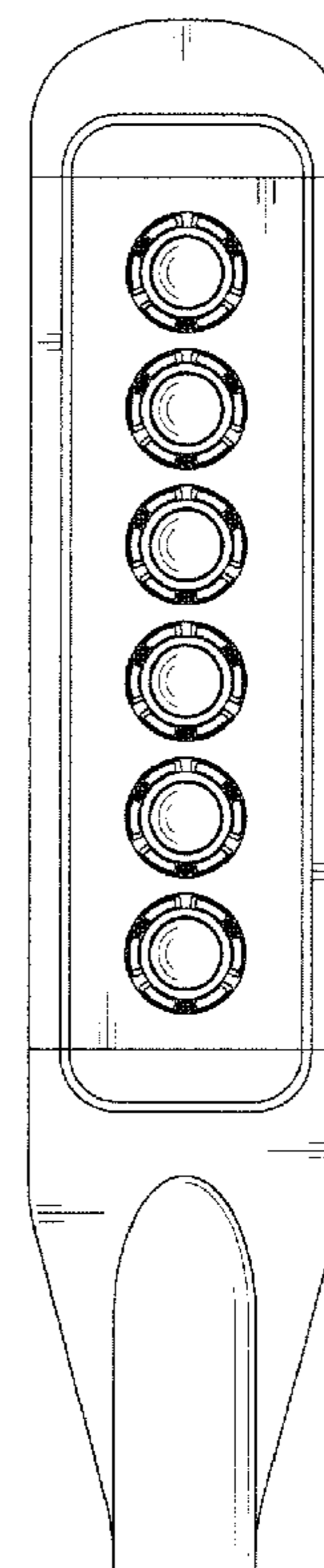
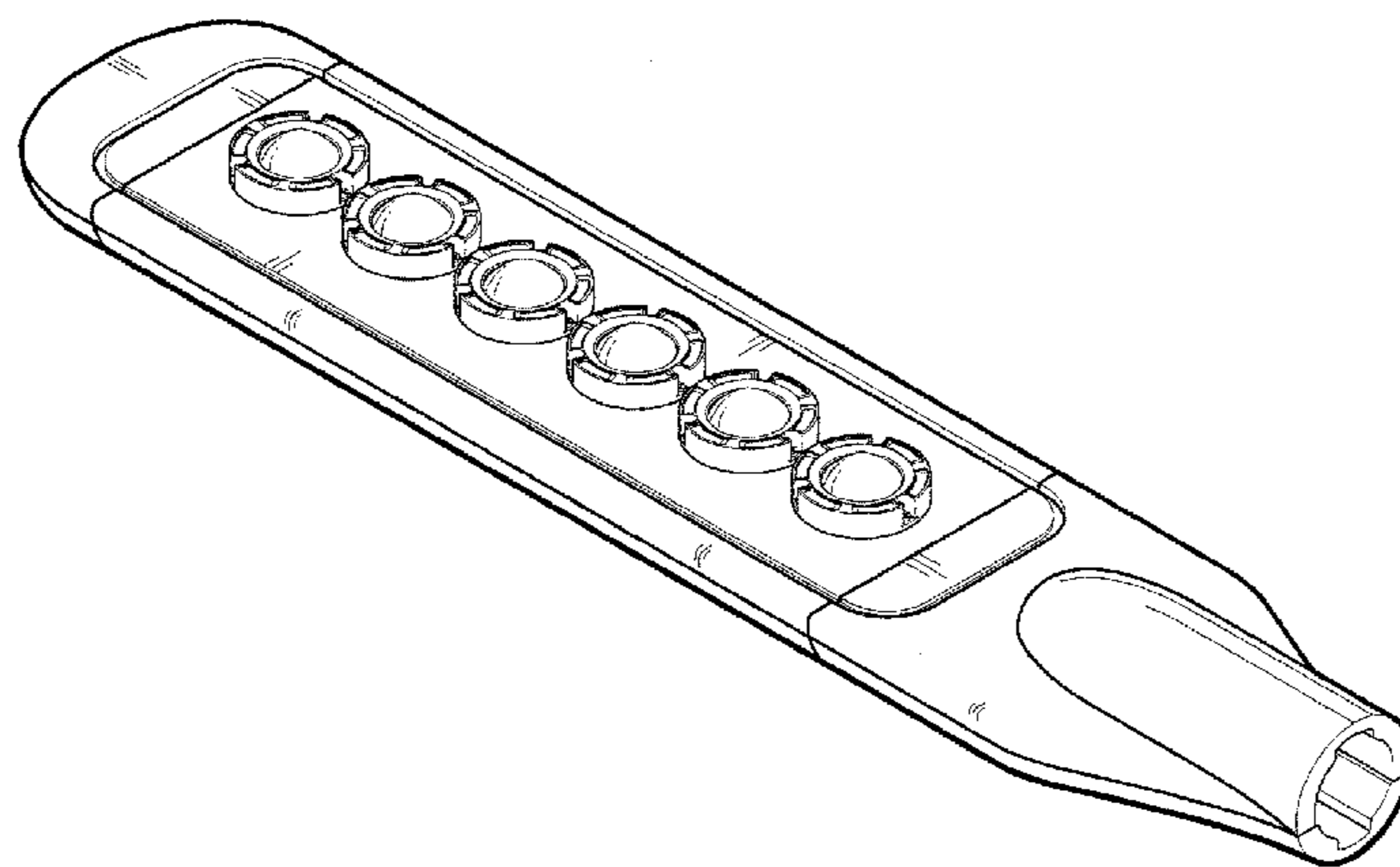


FIG. 1

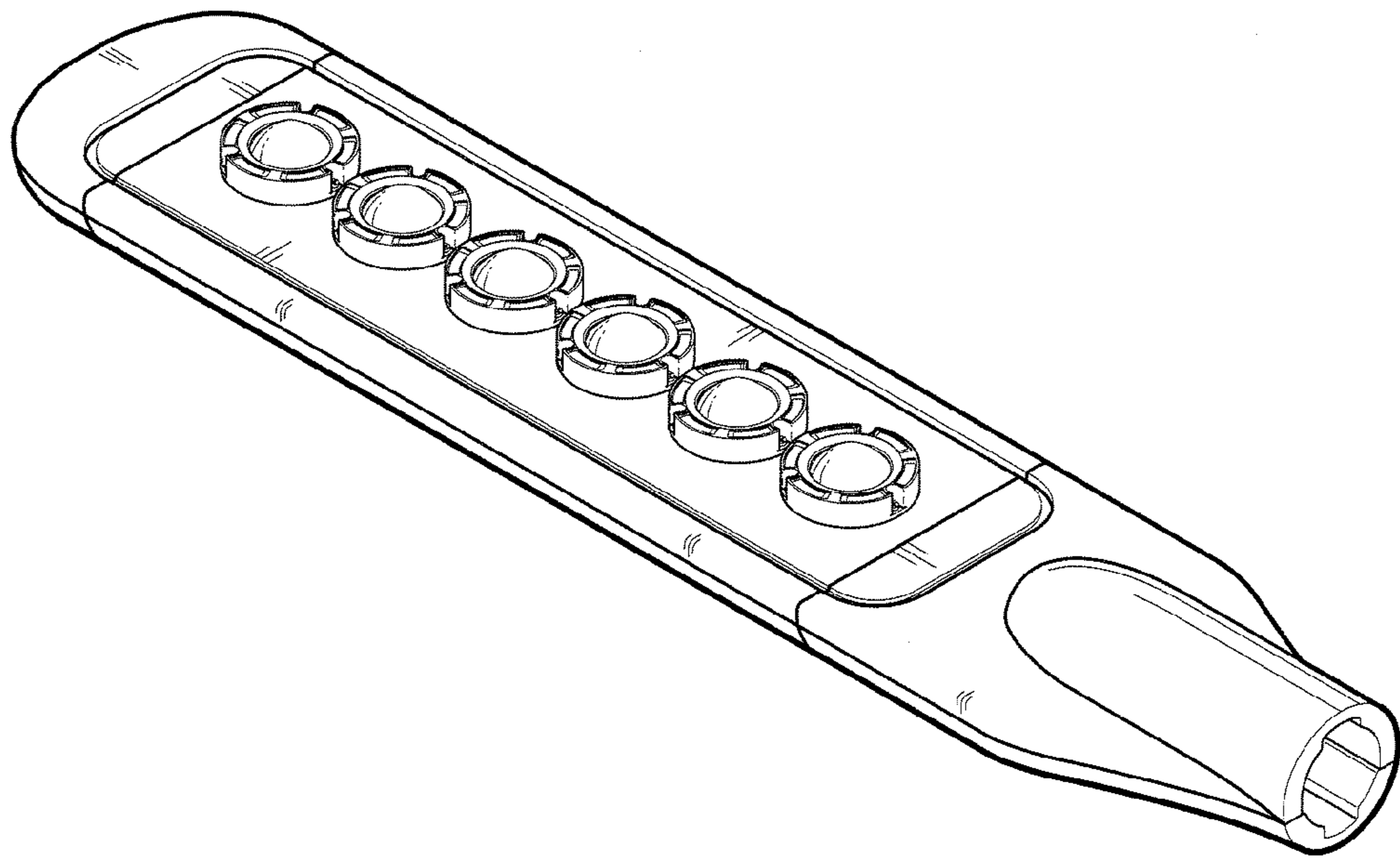


FIG. 2

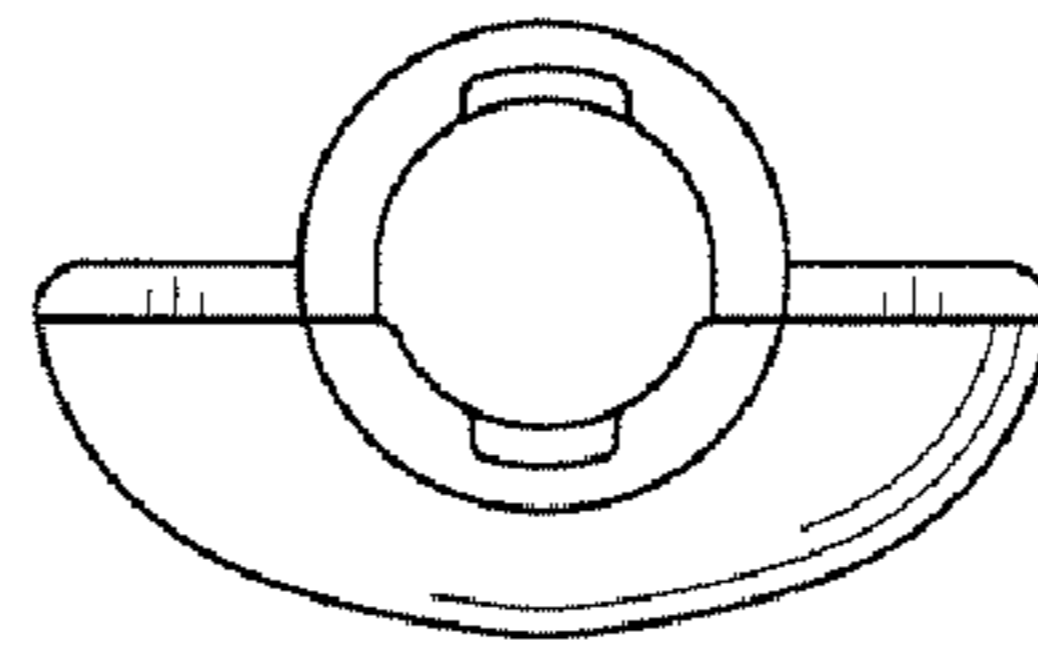


FIG. 3

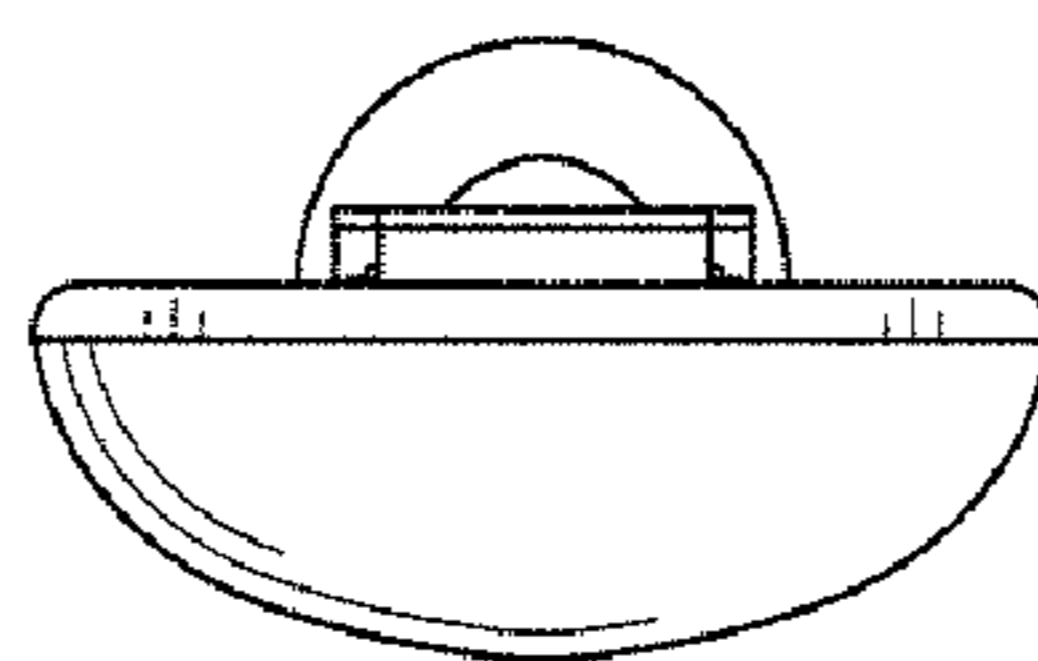


FIG. 4

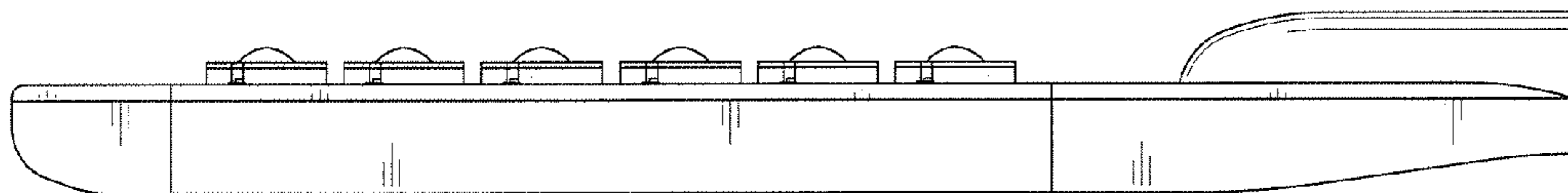


FIG. 5

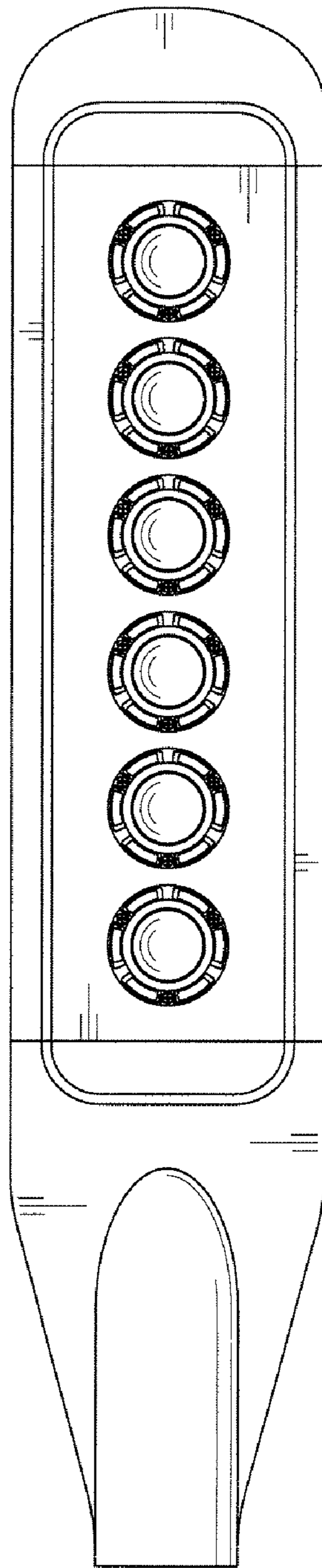


FIG. 6

