



US00D632000S

(12) **United States Design Patent**
Little, Jr. et al.

(10) **Patent No.:** **US D632,000 S**
(45) **Date of Patent:** **** Feb. 1, 2011**

(54) **LIGHTING FIXTURE**

(76) Inventors: **William D. Little, Jr.**, 1591
Meadowview Dr., Corinth, TX (US)
76210; **Kevin Short**, 933 S. Brainard
Ave., La Grange, IL (US) 60525

(**) Term: **14 Years**

(21) Appl. No.: **29/358,445**

(22) Filed: **Mar. 26, 2010**

(51) **LOC (9) Cl.** **26-05**

(52) **U.S. Cl.** **D26/71**

(58) **Field of Classification Search** D26/67-71,
D26/85, 92; 362/145, 183, 231, 240, 249.02,
362/249.03, 249.04, 249.06, 249.16, 373,
362/431

See application file for complete search history.

(56) **References Cited**

U.S. PATENT DOCUMENTS

D125,468 S	2/1941	Dreyfuss et al.	
2,715,449 A	8/1955	lemmerman et al.	181/30
D191,062 S *	8/1961	Gross	D26/71
D401,001 S	11/1998	Herst et al.	D26/77
D556,935 S *	12/2007	Quioque et al.	D26/71
D576,330 S *	9/2008	Ruud et al.	D26/71
D603,077 S *	10/2009	Kinnune et al.	D26/71
D605,328 S	12/2009	Wang et al.	D26/71
D607,598 S	1/2010	Xiao et al.	D26/80
D619,749 S *	7/2010	Jong	D26/71
7,766,513 B2	8/2010	Zhang et al.	362/294
2003/0209342 A1	11/2003	Hsin et al.	165/80.3
2007/0183148 A1	8/2007	Mayfield, III et al.	362/223
2009/0129075 A1	5/2009	Shuai et al.	362/234
2009/0225555 A1	9/2009	Ghim et al.	362/373
2009/0251898 A1 *	10/2009	Kinnune et al.	362/249.02
2009/0323331 A1	12/2009	Louh	362/235
2010/0149809 A1 *	6/2010	Ruud et al.	362/249.02

FOREIGN PATENT DOCUMENTS

JP	2004-095655	3/2004
JP	2009-016674	1/2009

JP	2009-238734	10/2009
TW	D126175	11/2008
TW	D128036	3/2009
TW	D129045	6/2009
TW	D129046	6/2009
TW	M359643	6/2009

OTHER PUBLICATIONS

Notice of Allowance of U.S Design Appl. No. 29/358,442, dated Oct. 1, 2010.

Notice of Allowance of U.S Design Appl. No. 29/358,444, dated Oct. 1, 2010.

* cited by examiner

Primary Examiner—Clare E Heflin

(57) **CLAIM**

The ornamental design for a lighting fixture, as shown and described.

DESCRIPTION

FIG. 1 is a perspective view of a lighting fixture showing our new design;

FIG. 2 is another perspective view thereof;

FIG. 3 is a front view thereof, the rear view being a mirror image of the front view;

FIG. 4 is a left side view thereof;

FIG. 5 is a right side view thereof;

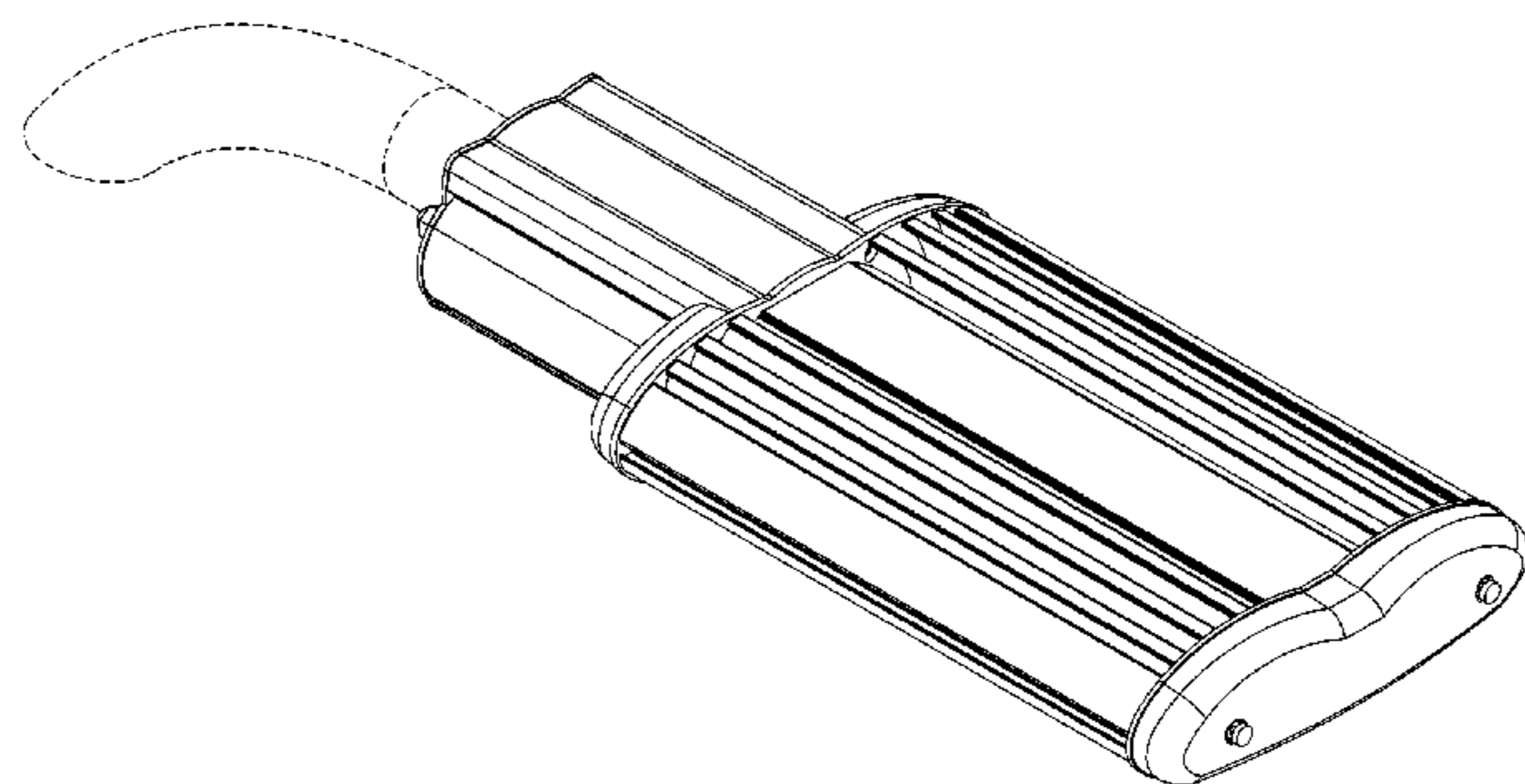
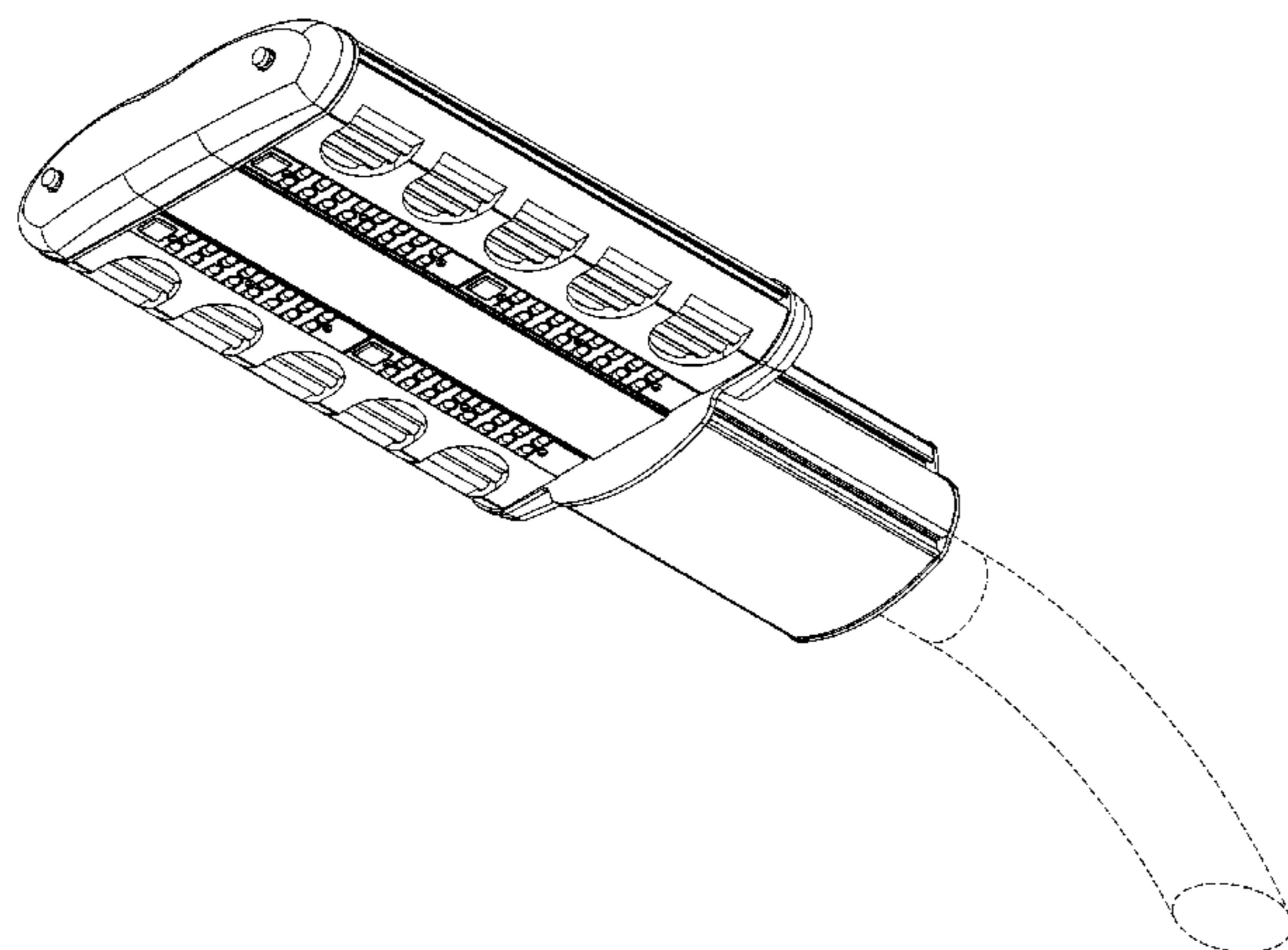
FIG. 6 is a top view thereof;

FIG. 7 is a bottom view thereof; and,

FIG. 8 is an enlarged cross-sectional view taken along line 8—8 in FIG. 3.

The broken line showings in the drawing are for illustrative purposes only and form no part of the claimed design.

1 Claim, 8 Drawing Sheets



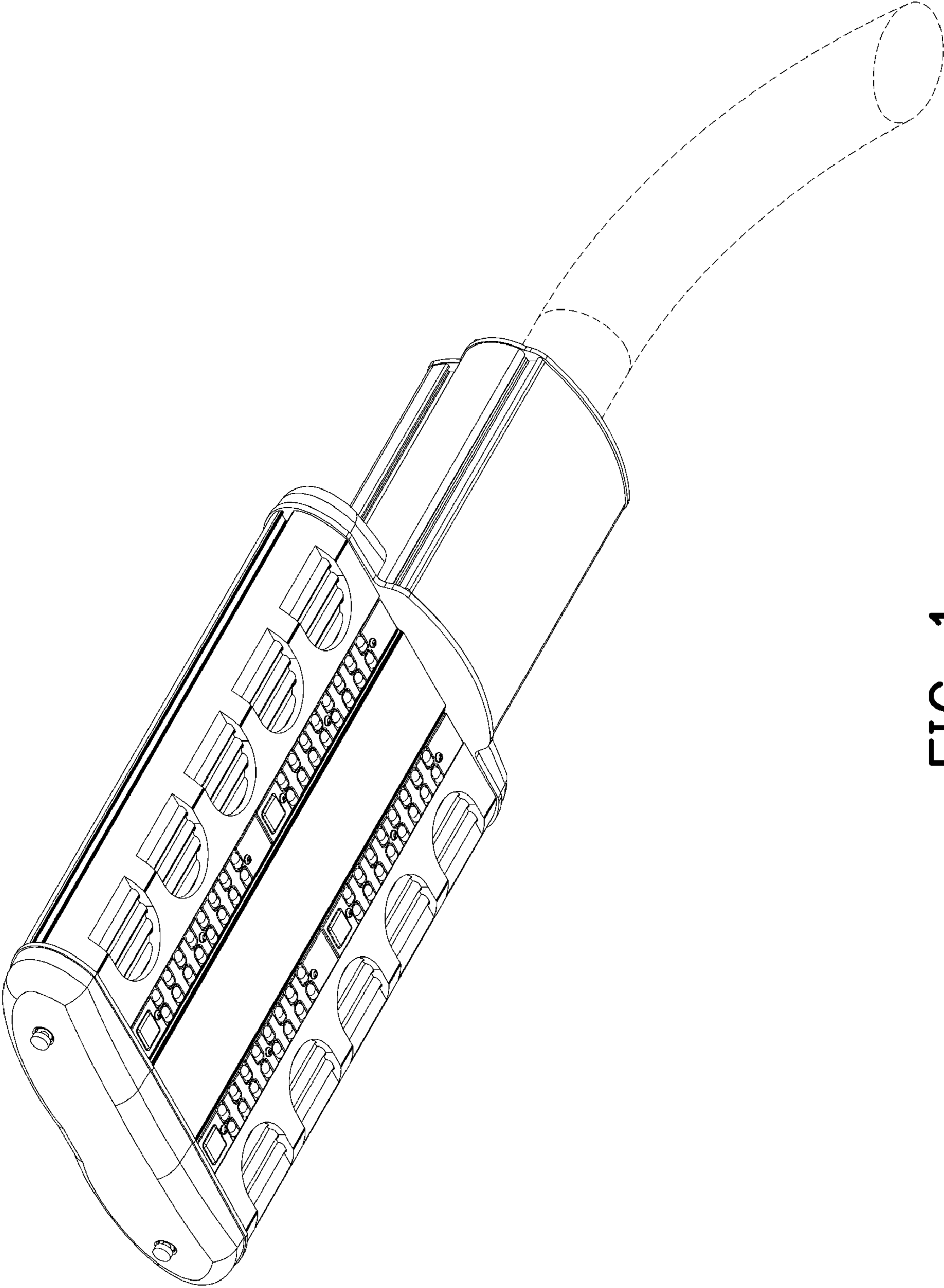


FIG. 1

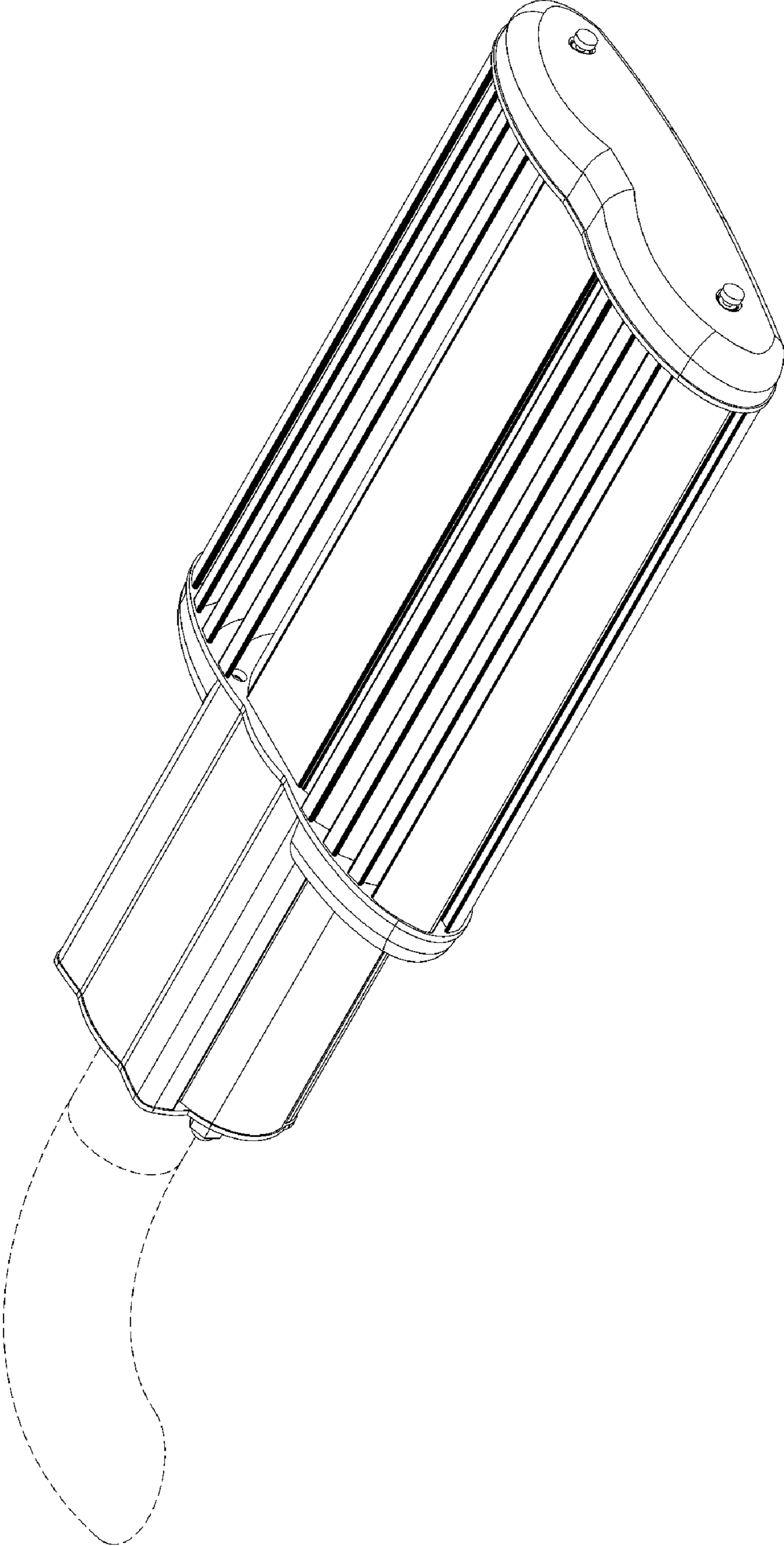


FIG. 2

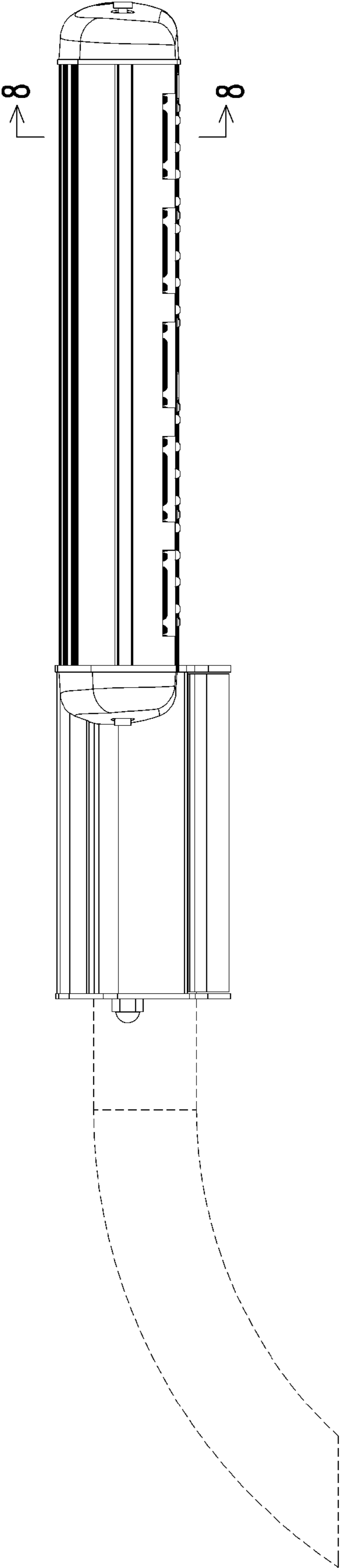


FIG. 3

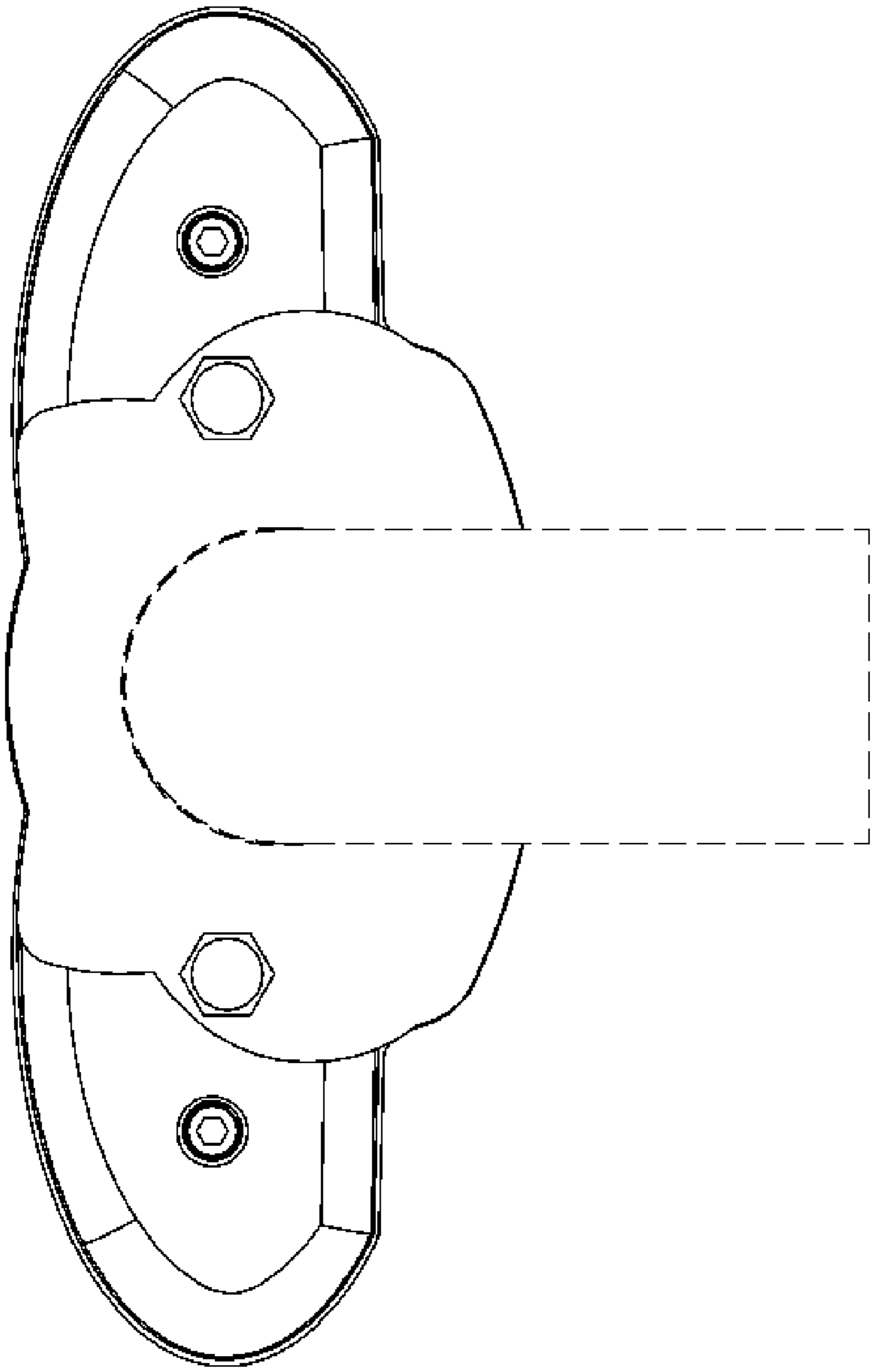


FIG. 4

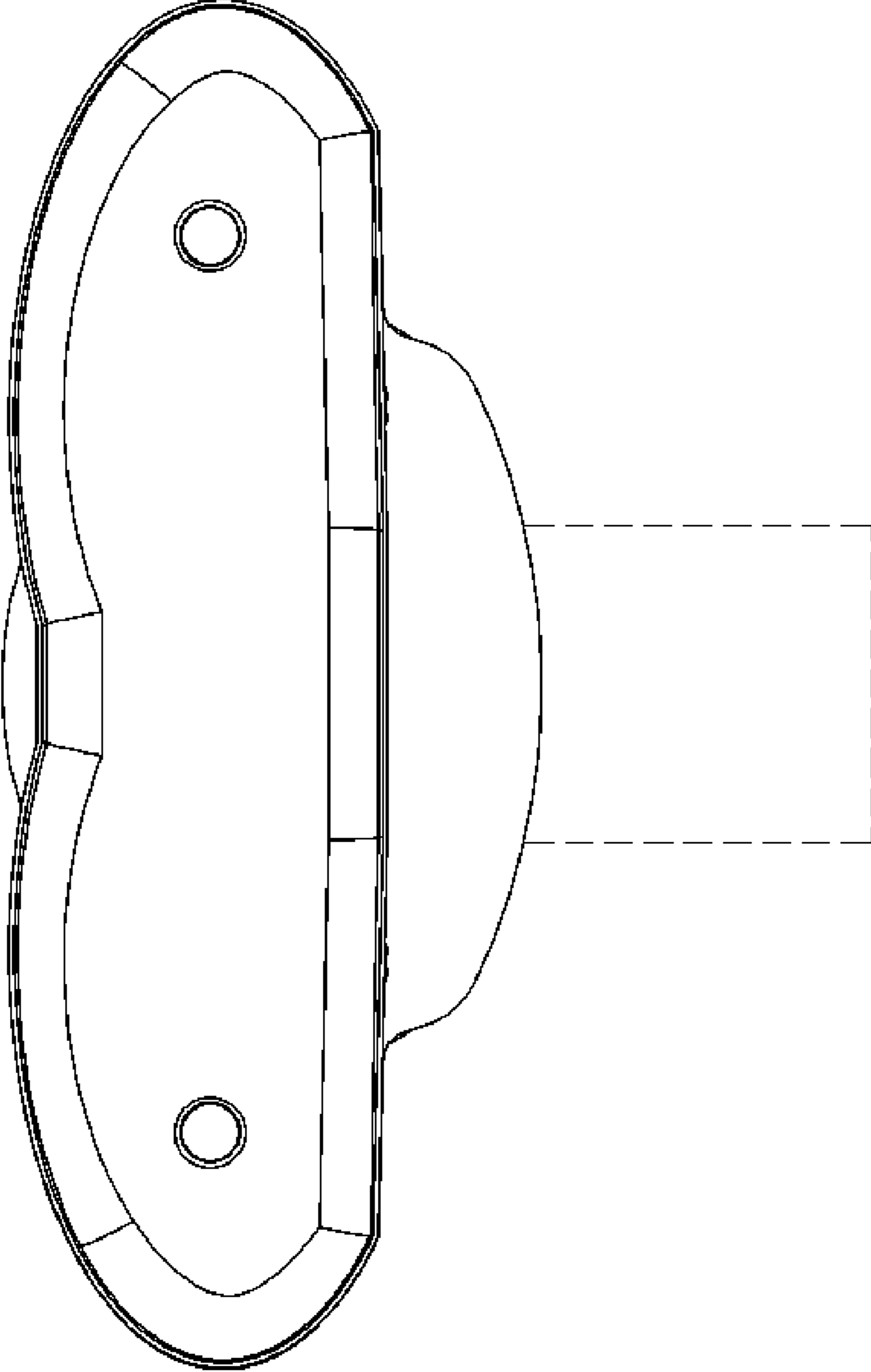


FIG. 5

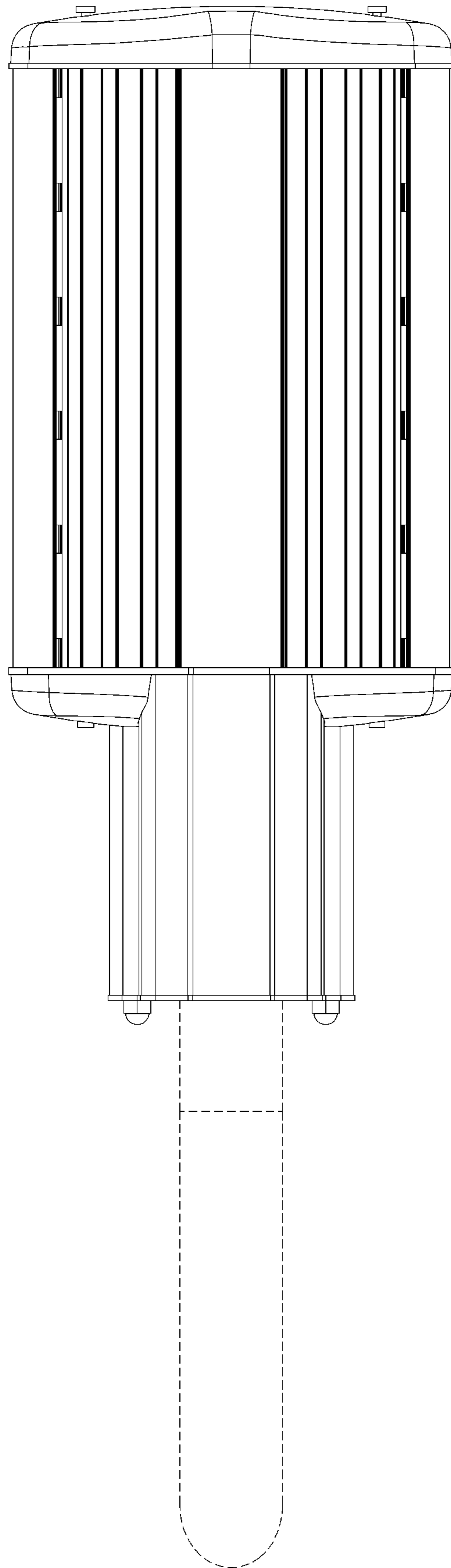


FIG. 6

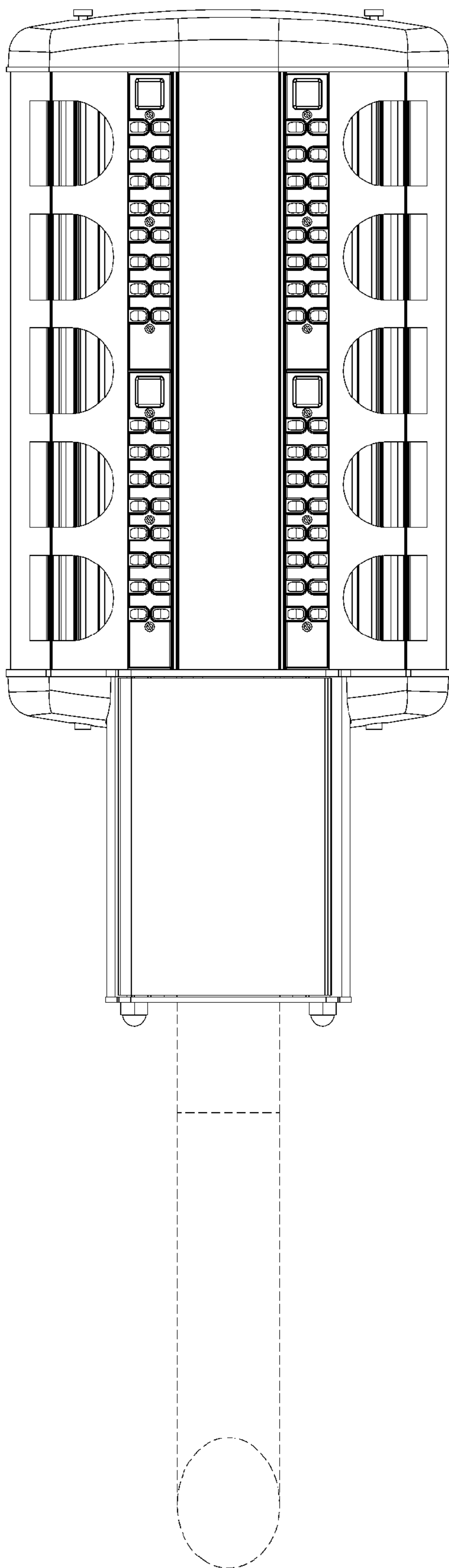


FIG. 7

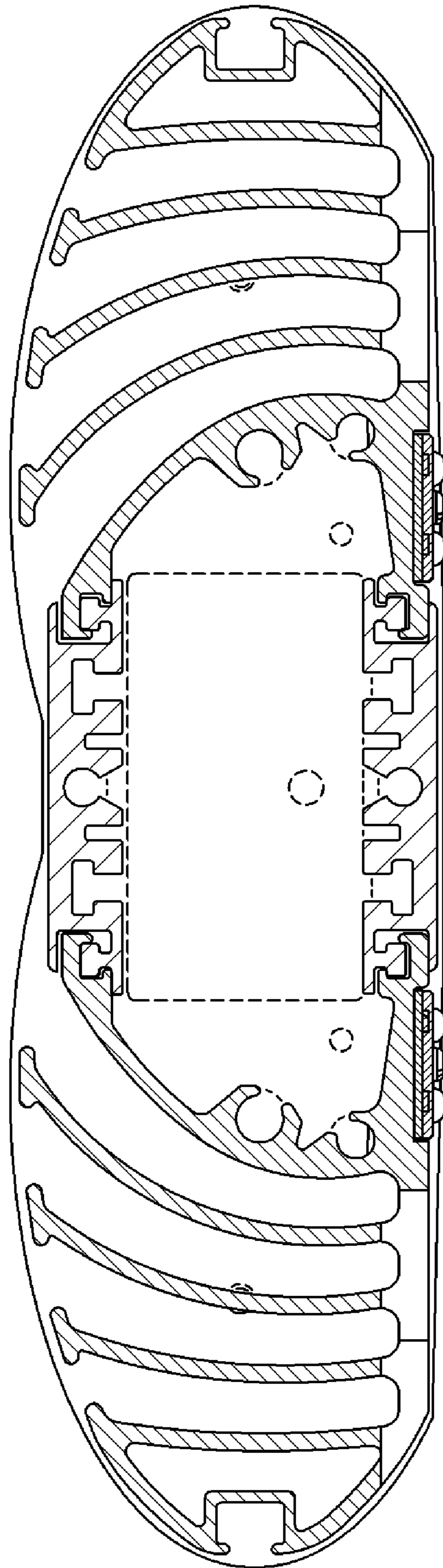


FIG. 8