



US00D631997S

(12) **United States Design Patent**
Yao

(10) **Patent No.:** **US D631,997 S**
(45) **Date of Patent:** **** Feb. 1, 2011**

(54) **LAMP HOLDER FOR SOLAR POWERED GARDEN LIGHT**

(76) Inventor: **Yihui Yao**, Number 18, Ke Ji Road East, High & New Technology Development Zone, Huanghe Road, Shantou, Guangdong 515041 (CN)

(**) Term: **14 Years**

(21) Appl. No.: **29/358,167**

(22) Filed: **Mar. 23, 2010**

(51) **LOC (9) Cl.** **26-05**

(52) **U.S. Cl.** **D26/68**

(58) **Field of Classification Search** D26/67-71, D26/73, 85, 101, 125, 128, 134; 362/147, 362/152, 153, 153.1, 183, 185, 431, 653
See application file for complete search history.

(56) **References Cited**

U.S. PATENT DOCUMENTS

- D19,329 S * 10/1889 Howard D26/134
- D37,178 S * 10/1904 Gilbert D26/134
- 804,254 A * 11/1905 Mygatt 362/334
- D49,075 S * 5/1916 Pearlman D26/134
- 1,264,405 A * 4/1918 Little 362/363
- D73,155 S * 8/1927 Bardwell D26/134

- D106,031 S * 9/1937 Gosling D26/67
- D394,127 S * 5/1998 Dolan D26/134
- D528,692 S * 9/2006 Chen D26/67
- D531,341 S * 10/2006 Chen D26/67
- D553,289 S * 10/2007 De'Armond D26/128
- D615,685 S * 5/2010 Chen D26/68
- D616,135 S * 5/2010 Chen D26/68

* cited by examiner

Primary Examiner—Clare E Heflin

(74) *Attorney, Agent, or Firm*—Christie, Parker & Hale, LLP

(57) **CLAIM**

The ornamental design for lamp holder for solar powered garden light, as shown and described.

DESCRIPTION

FIG. 1 is a bottom view of the lamp holder for solar powered garden light;

FIG. 2 is a perspective view thereof;

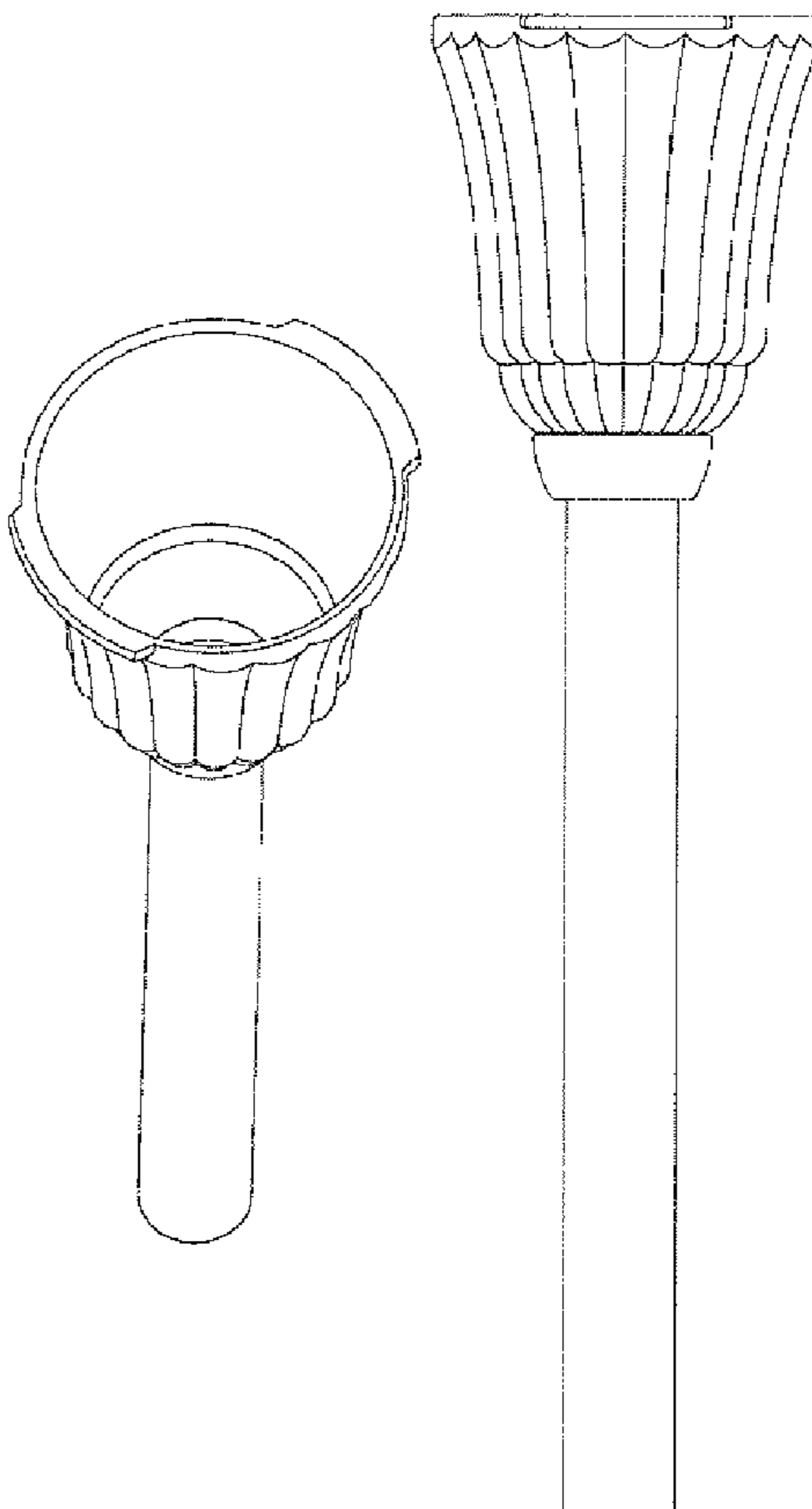
FIG. 3 is a front view thereof;

FIG. 4 is a side view thereof; and,

FIG. 5 is a top view thereof.

The broken lines shown on the drawings depict portions of the lamp that form no part of the claimed design.

1 Claim, 1 Drawing Sheet



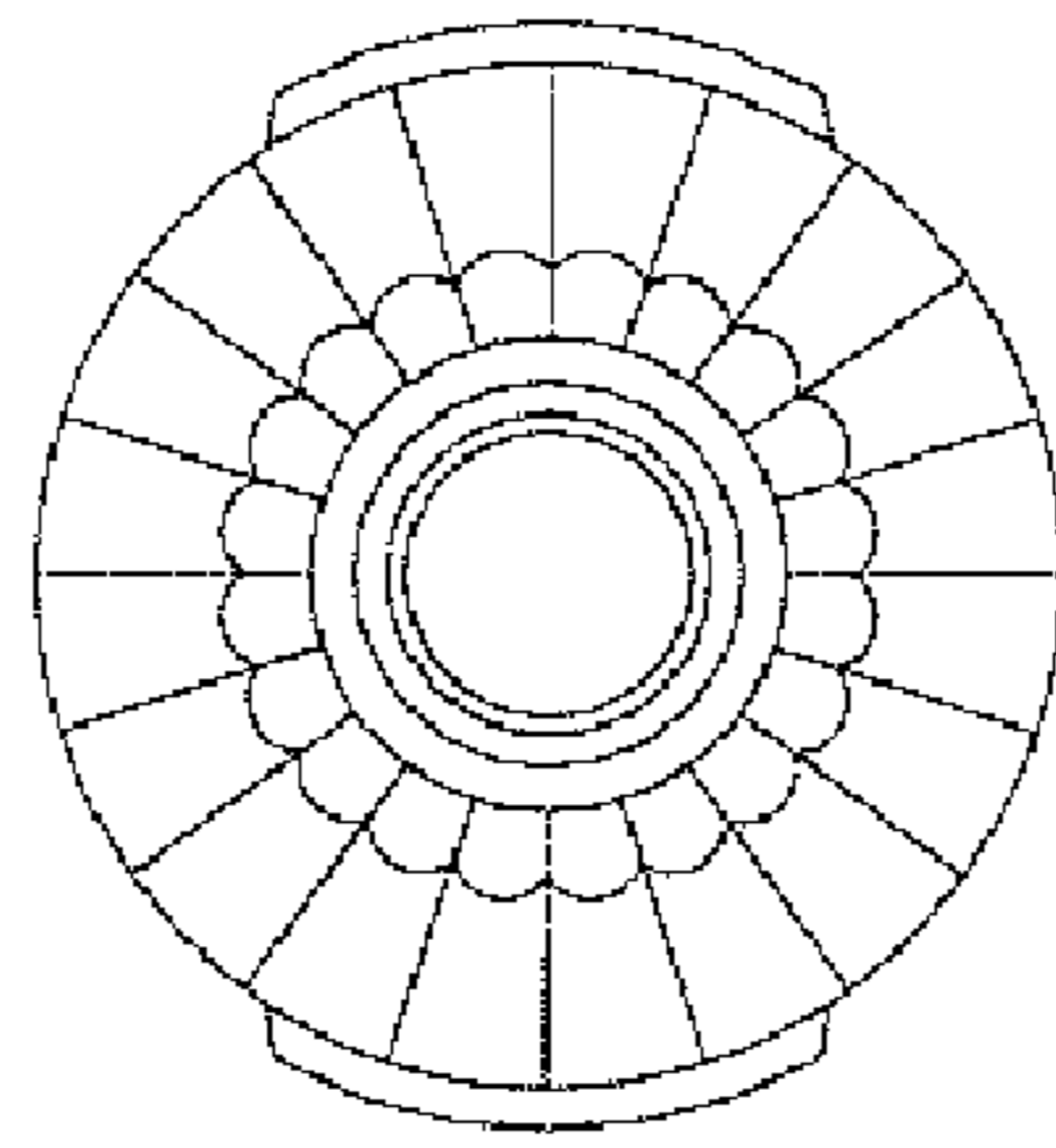


Fig. 1

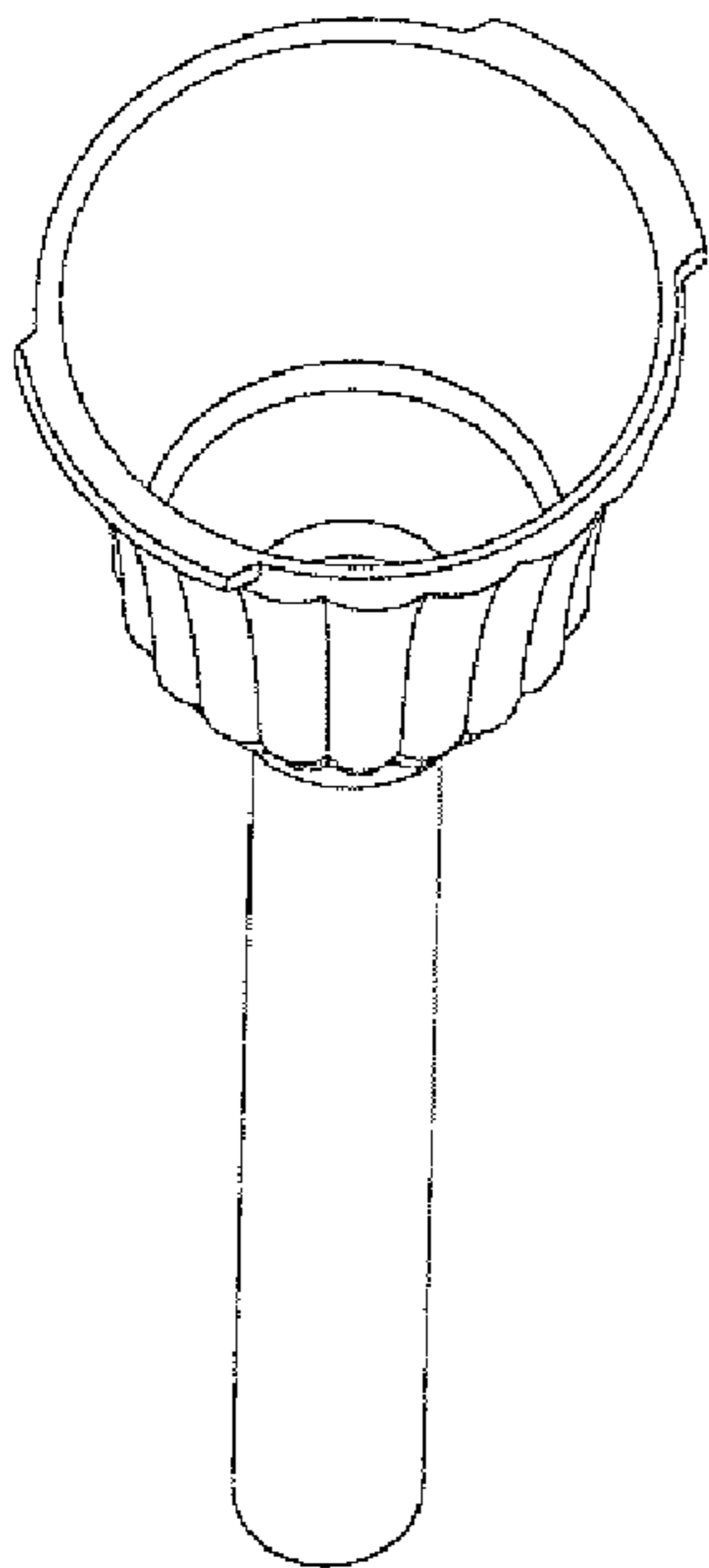


Fig. 2

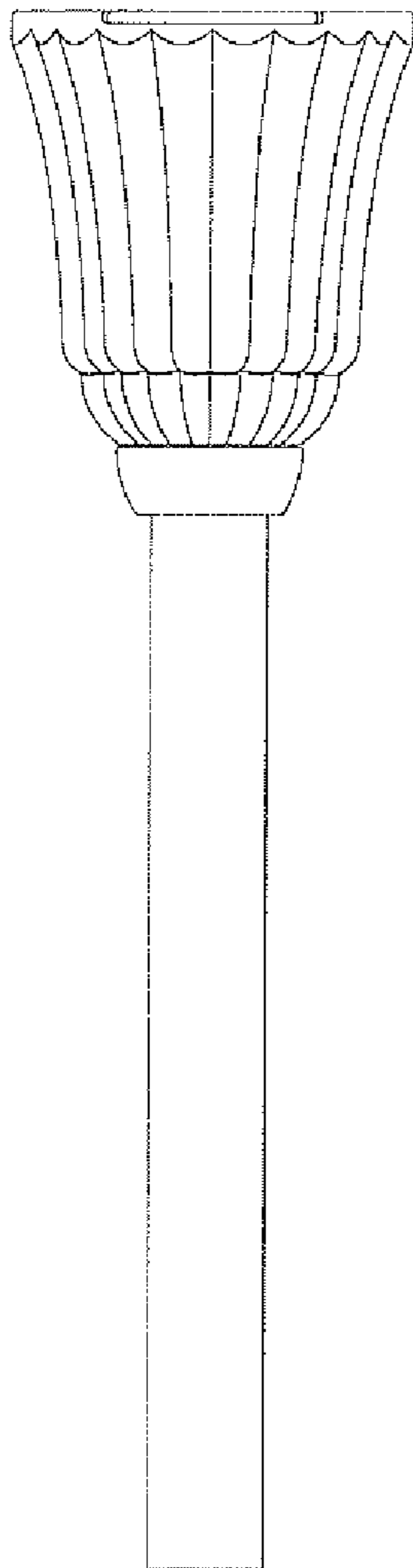


Fig. 3

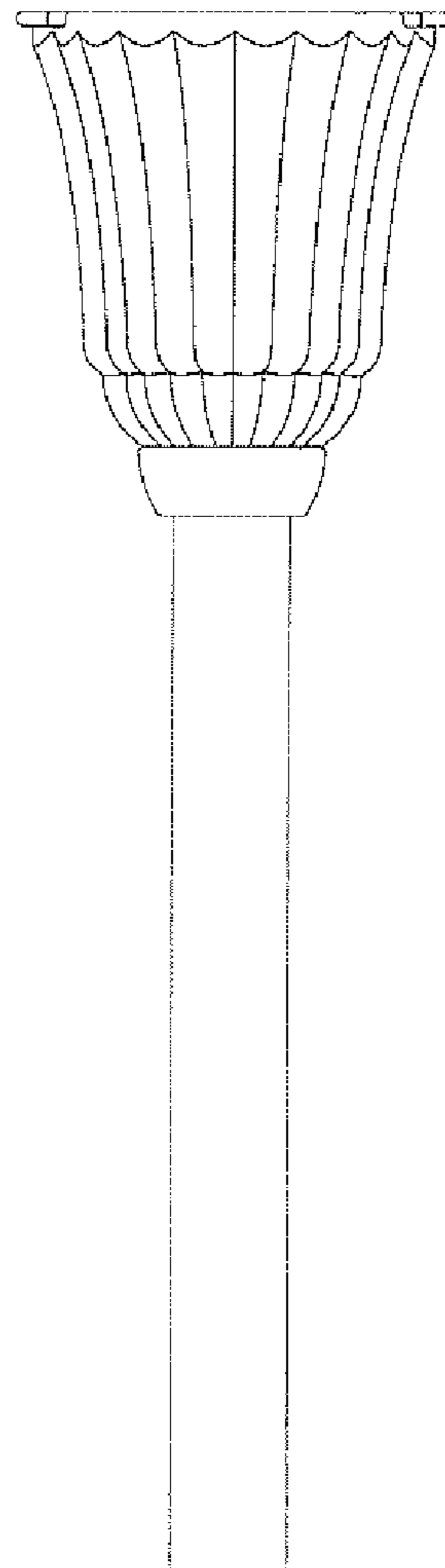


Fig. 4

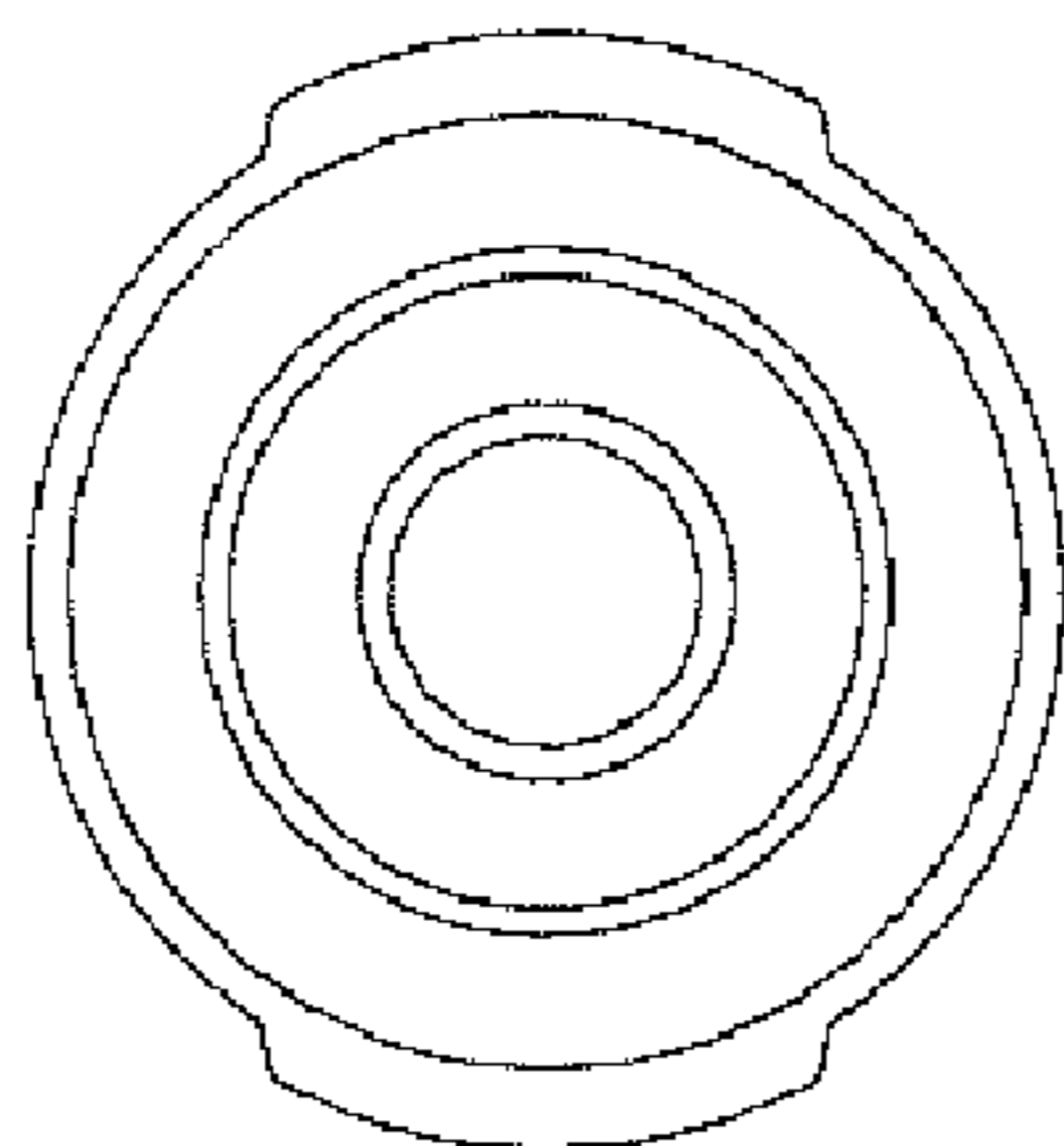


Fig. 5