



US00D631995S

(12) **United States Design Patent**  
**Huschke**

(10) **Patent No.:** **US D631,995 S**

(45) **Date of Patent:** **\*\* Feb. 1, 2011**

(54) **BICYCLE TAIL LIGHT**

D588,722 S \* 3/2009 Cheng ..... D26/28  
D605,791 S \* 12/2009 Huschke ..... D26/28

(75) Inventor: **Lars Huschke**, Spokane, WA (US)

\* cited by examiner

(73) Assignee: **Portland Design Works, LLC**, Portland, OR (US)

*Primary Examiner*—Marcus A Jackson

(\*\*) Term: **14 Years**

(57) **CLAIM**

(21) Appl. No.: **29/349,740**

The ornamental design for a bicycle tail light, as shown.

(22) Filed: **Apr. 29, 2010**

**DESCRIPTION**

(51) **LOC (9) Cl.** ..... **26-06**

FIG. 1 is a perspective view of a bicycle tail light, showing my design;

(52) **U.S. Cl.** ..... **D26/28**

FIG. 2 is a front elevation view;

(58) **Field of Classification Search** ..... D26/28-36;  
362/459-468, 475-478, 485-487

FIG. 3 is a rear elevation view;

See application file for complete search history.

FIG. 4 is a top view;

FIG. 5 is a bottom view;

(56) **References Cited**

**U.S. PATENT DOCUMENTS**

FIG. 6 is right side elevation view; and,

FIG. 7 is a left side elevation view.

D540,481 S *	4/2007	Okuda	.....	D26/28
D540,966 S *	4/2007	Ueda et al.	.....	D26/28
D541,447 S *	4/2007	Ueda et al.	.....	D26/28
D560,833 S *	1/2008	Ueda et al.	.....	D26/28
D560,834 S *	1/2008	Nagano	.....	D26/28
D584,840 S *	1/2009	Okuda et al.	.....	D26/28

The broken line showing of the clip is included for the purpose of illustrating only and forms no part of the claimed design.

**1 Claim, 1 Drawing Sheet**

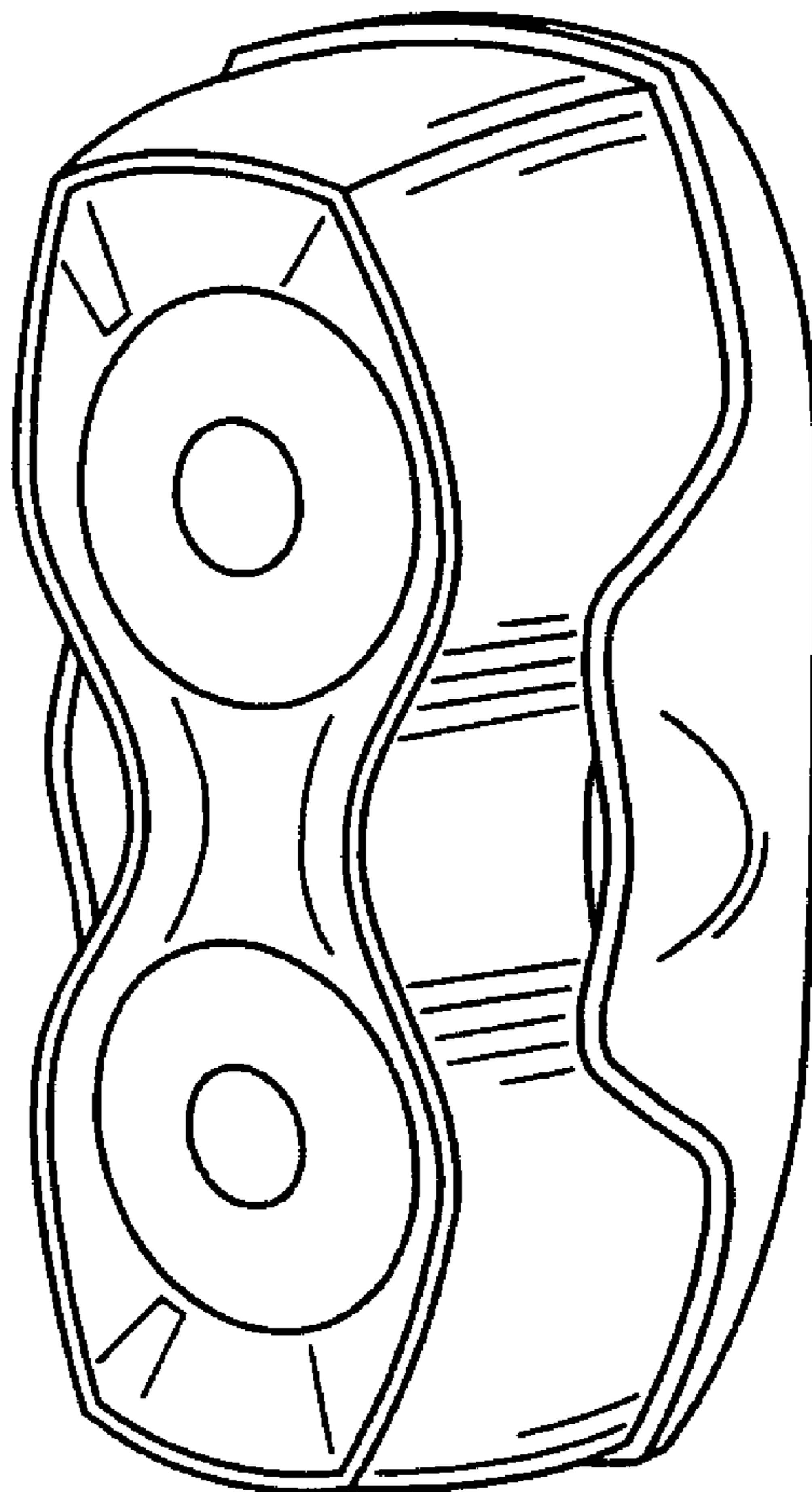


FIG. 1

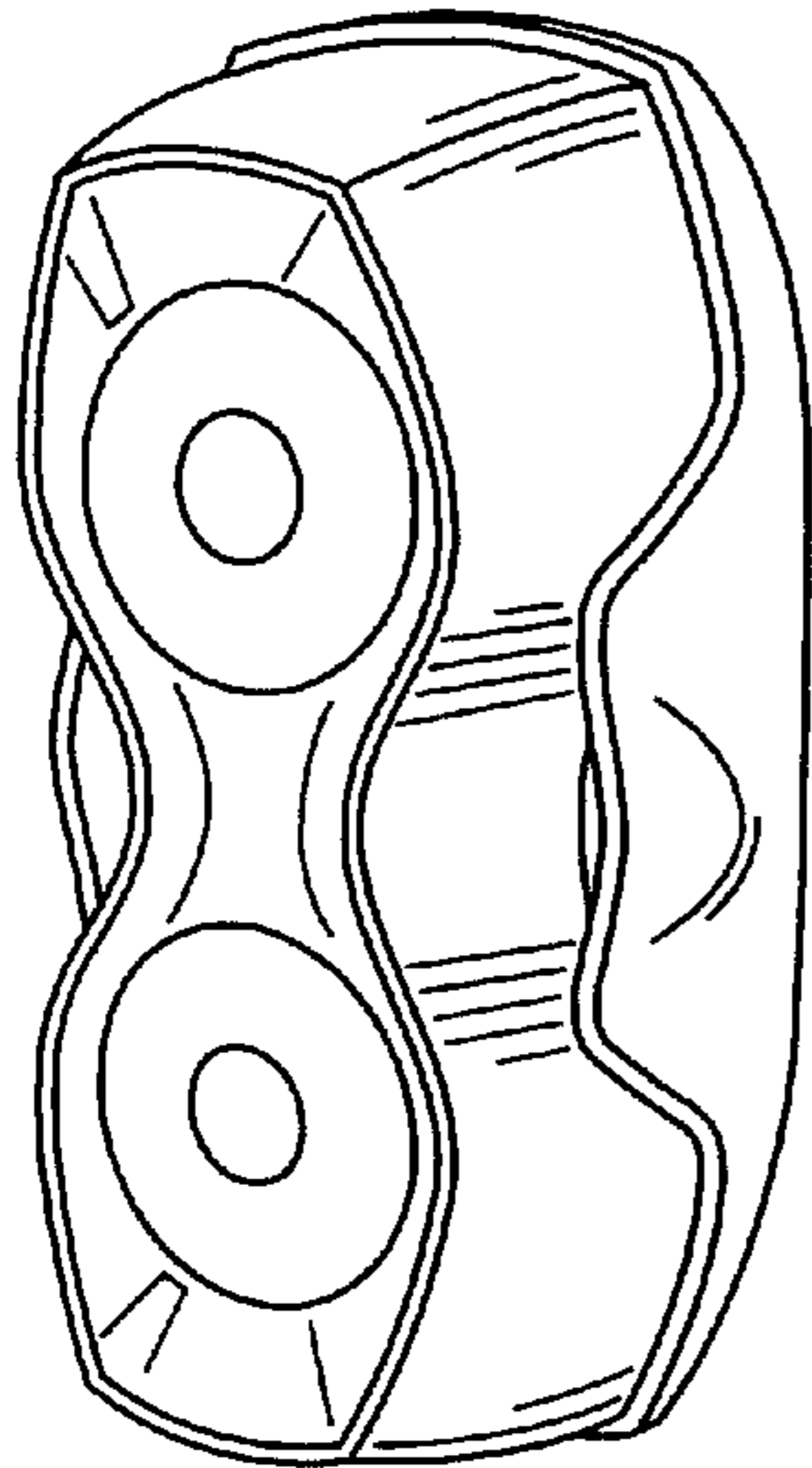


FIG. 2

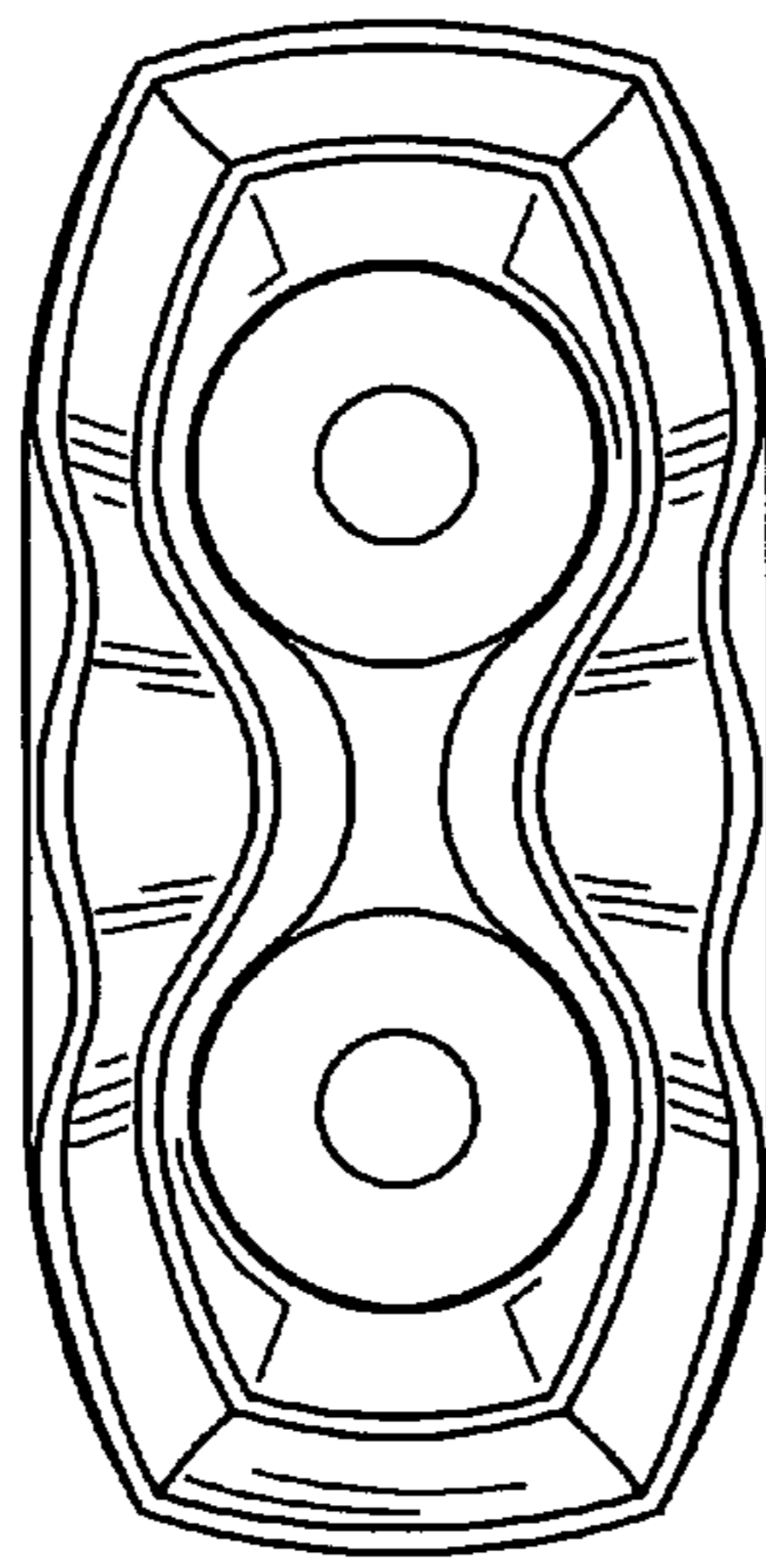


FIG. 3

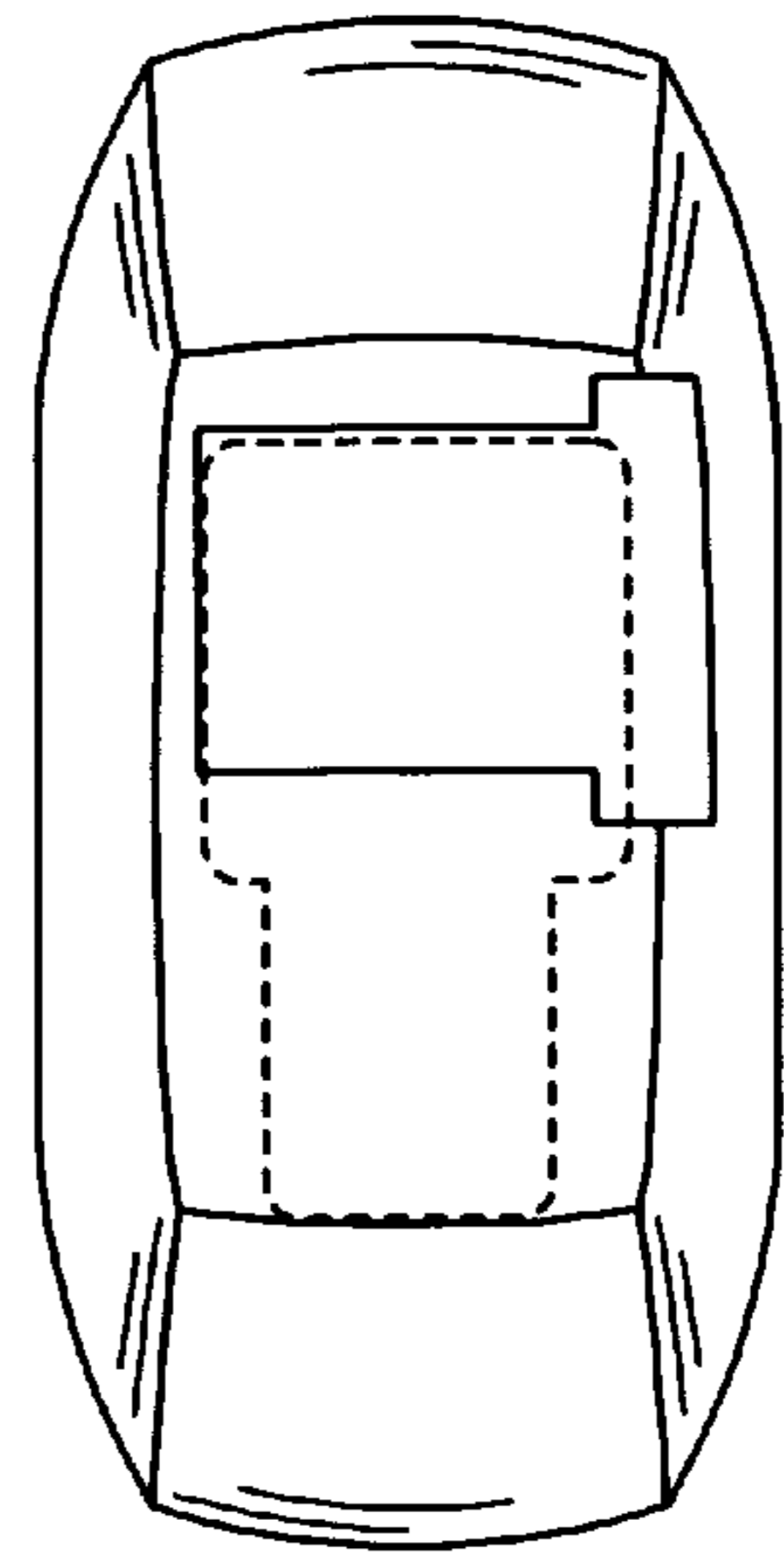


FIG. 4

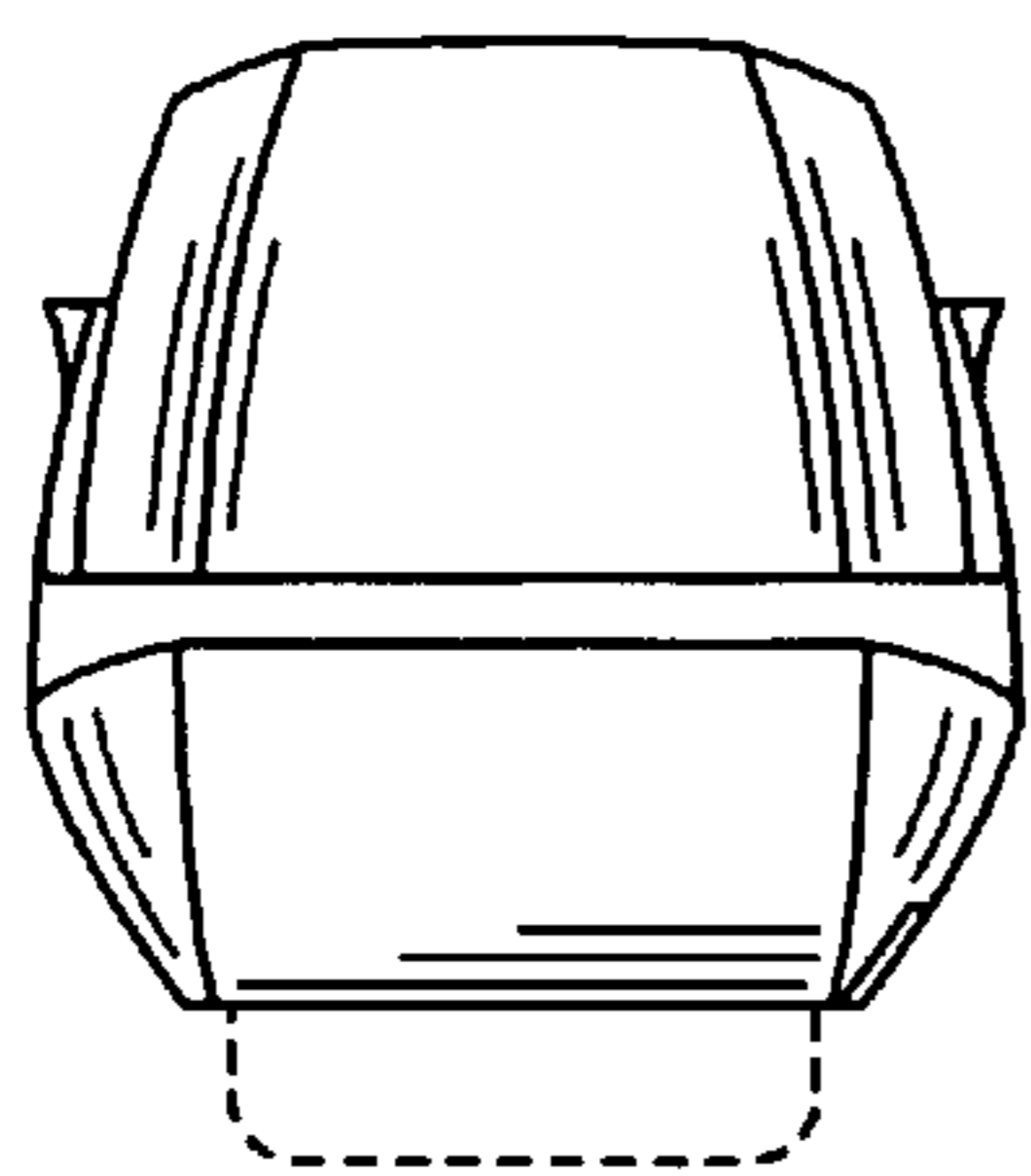


FIG. 6

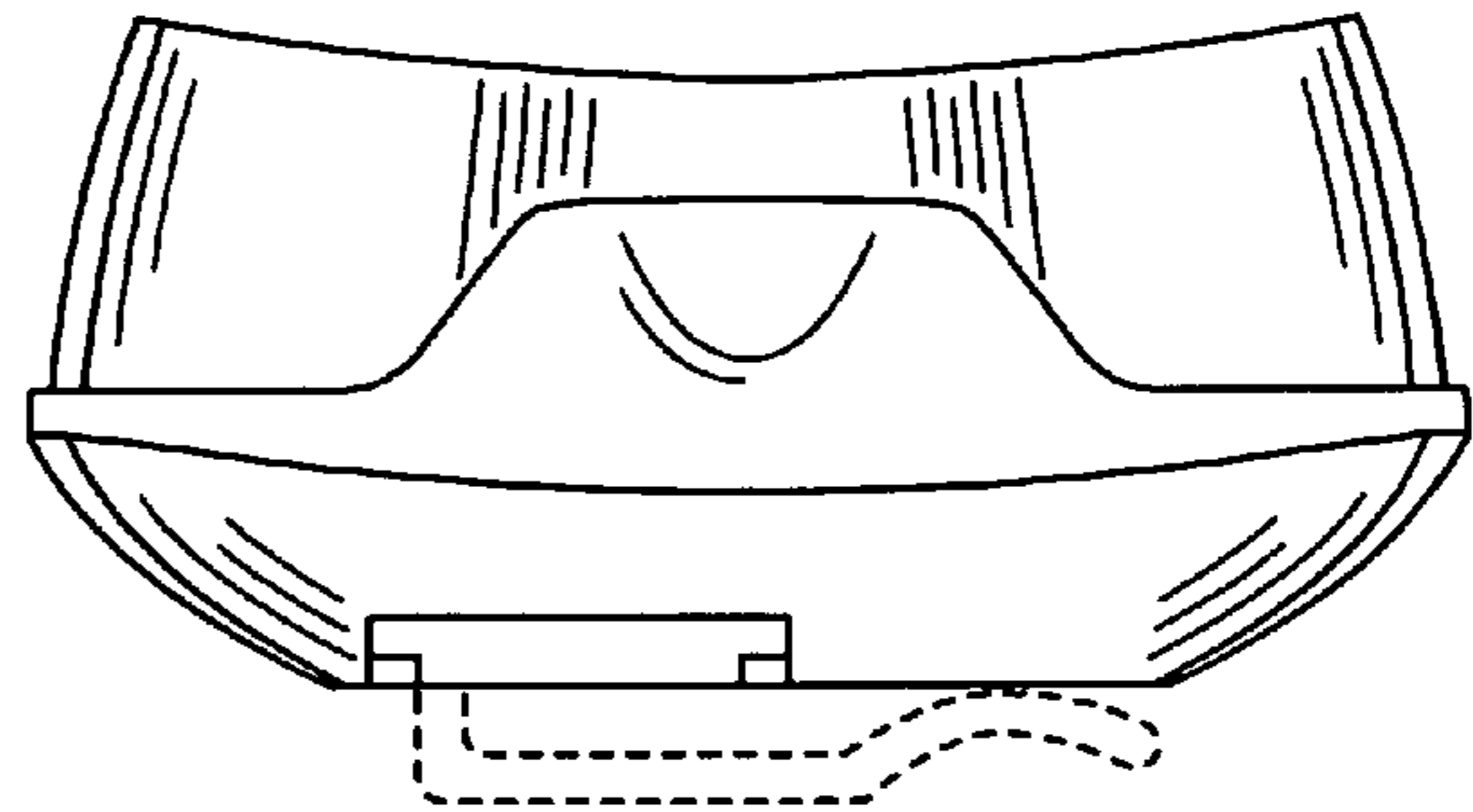


FIG. 5

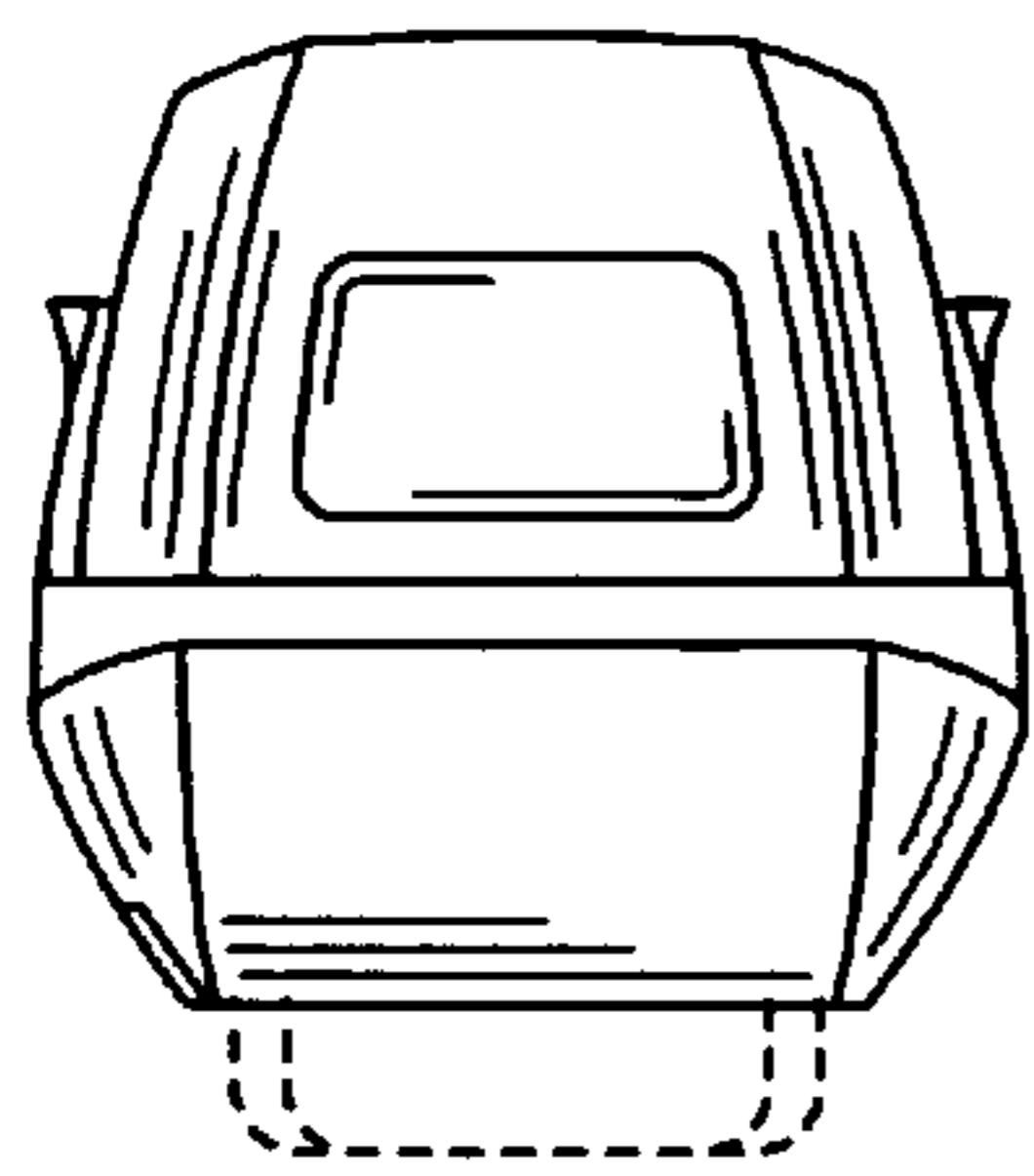


FIG. 7

