



US00D631991S

(12) **United States Design Patent**  
**Bobel**

(10) **Patent No.:** **US D631,991 S**

(45) **Date of Patent:** **\*\* Feb. 1, 2011**

(54) **LED REFLECTOR LAMP**

D616,120 S \* 5/2010 Wada et al. .... D26/2  
D617,918 S \* 6/2010 Yamamoto et al. .... D26/2

(76) Inventor: **Andrzej Bobel**, 640 Leland Ct., Lake Forest, IL (US) 60045

\* cited by examiner

*Primary Examiner*—Marcus A Jackson

(\*\*) Term: **14 Years**

(21) Appl. No.: **29/349,210**

(57) **CLAIM**

(22) Filed: **Mar. 17, 2010**

The ornamental design for LED reflector lamp, as shown.

(51) **LOC (9) Cl.** ..... **26-04**

(52) **U.S. Cl.** ..... **D26/2**

(58) **Field of Classification Search** ..... D26/1-4;  
313/313, 315, 316, 317, 318, 493; 315/52,  
315/53, 56, 57, 58

**DESCRIPTION**

See application file for complete search history.

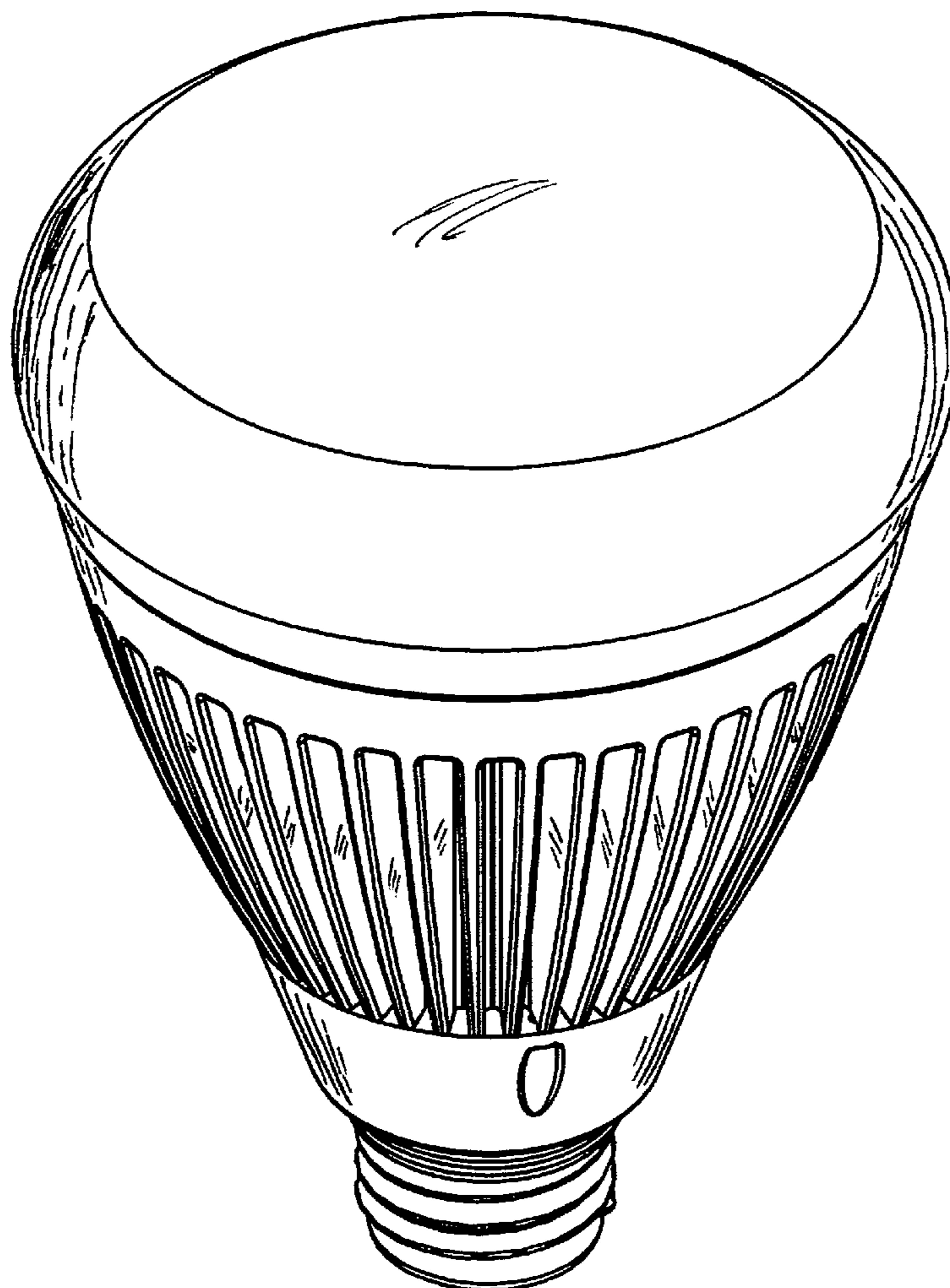
FIG. 1 is a front view of the LED reflector lamp;  
FIG. 2 is a cross-sectional view of the LED reflector lamp;  
FIG. 3 is a top view thereof;  
FIG. 4 is a bottom view thereof;  
FIG. 5 is a bottom isometric view thereof;  
FIG. 6 is a top isometric view thereof;  
FIG. 7 is a bottom exploded view thereof; and,  
FIG. 8 is a top exploded view thereof.

(56) **References Cited**

**U.S. PATENT DOCUMENTS**

D581,556 S \* 11/2008 To et al. .... D26/2  
D600,367 S \* 9/2009 Bertram et al. .... D26/2  
D601,278 S \* 9/2009 Takahashi ..... D26/2

**1 Claim, 8 Drawing Sheets**



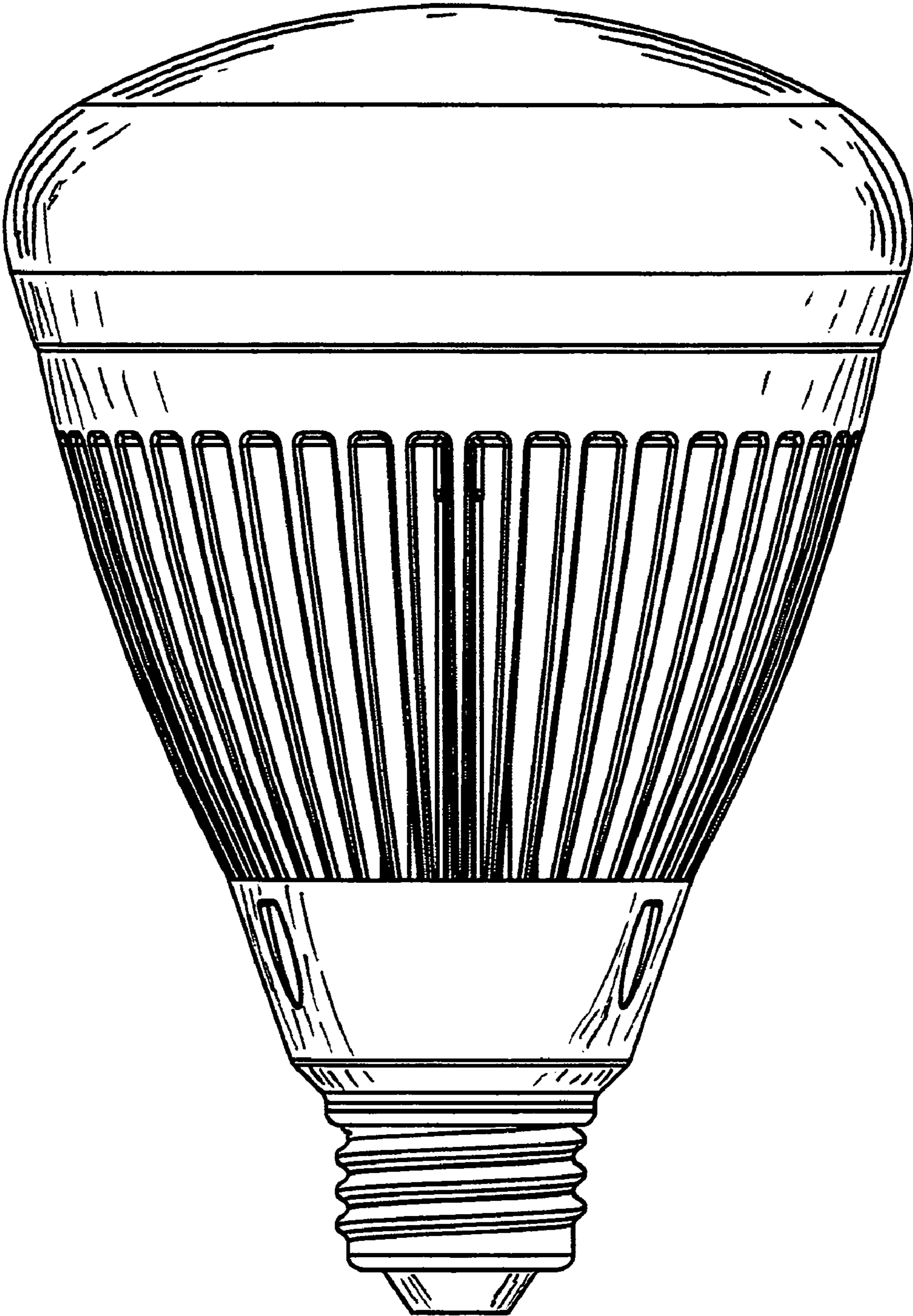


Fig. 1

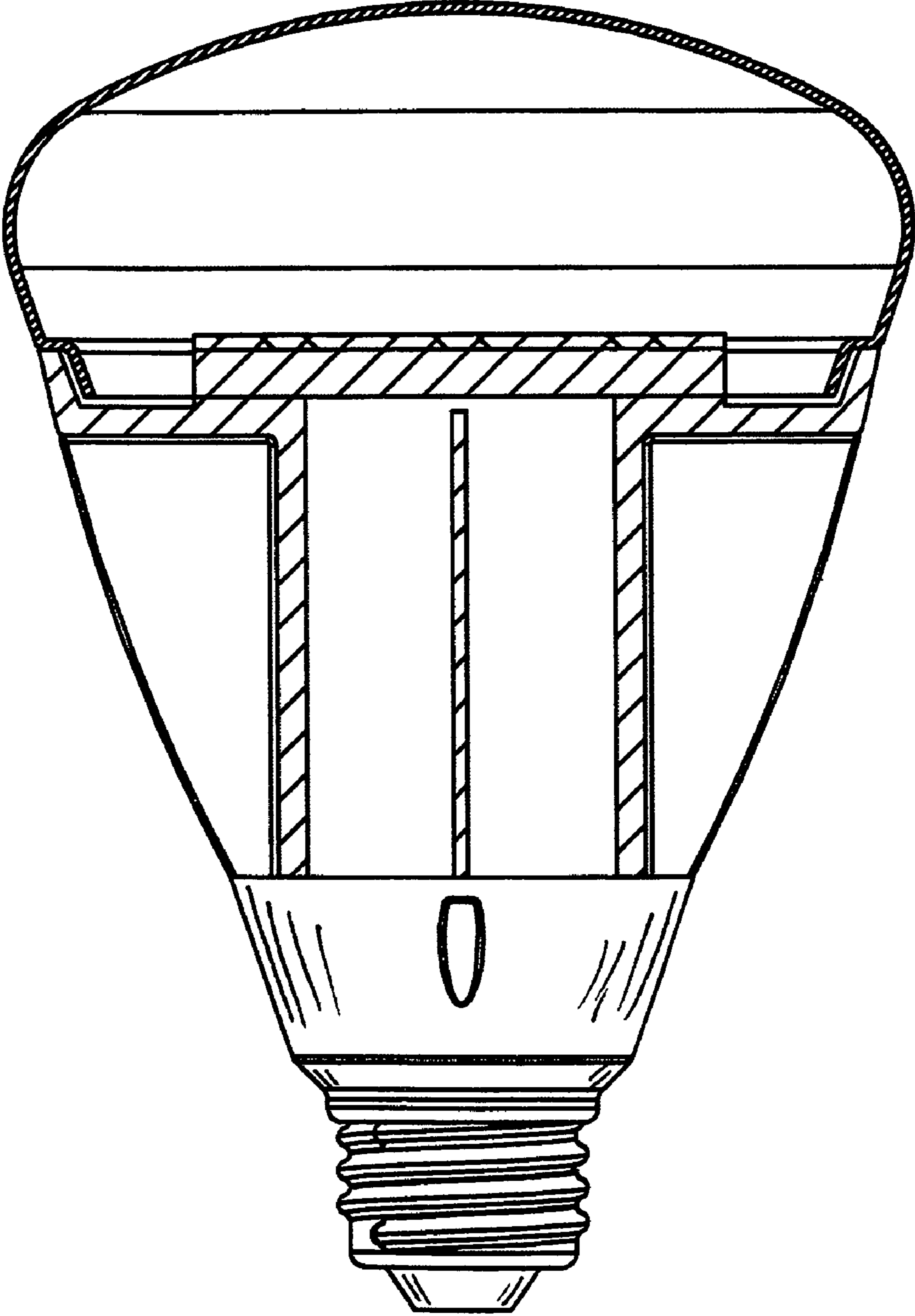


Fig. 2

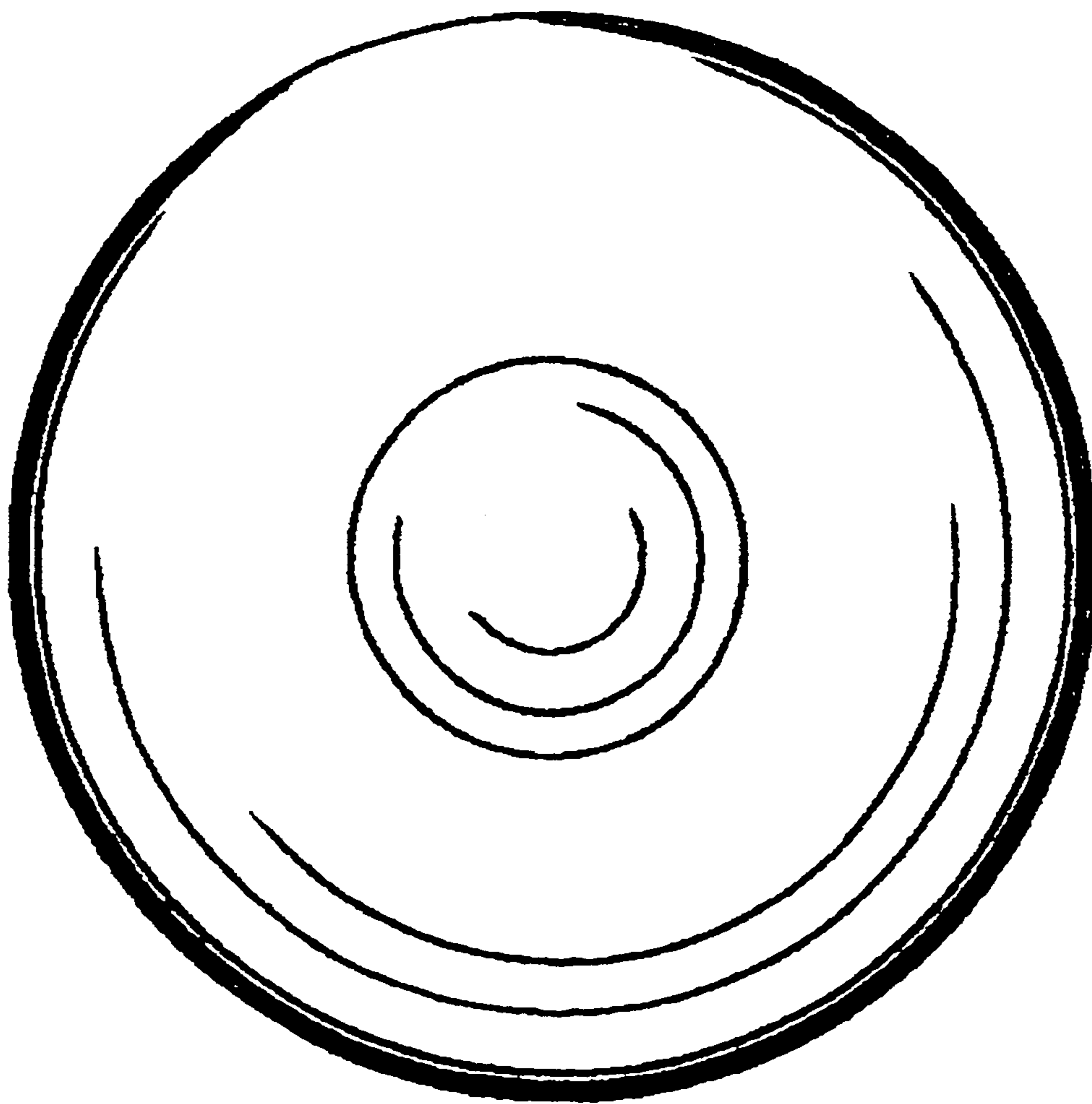


Fig. 3

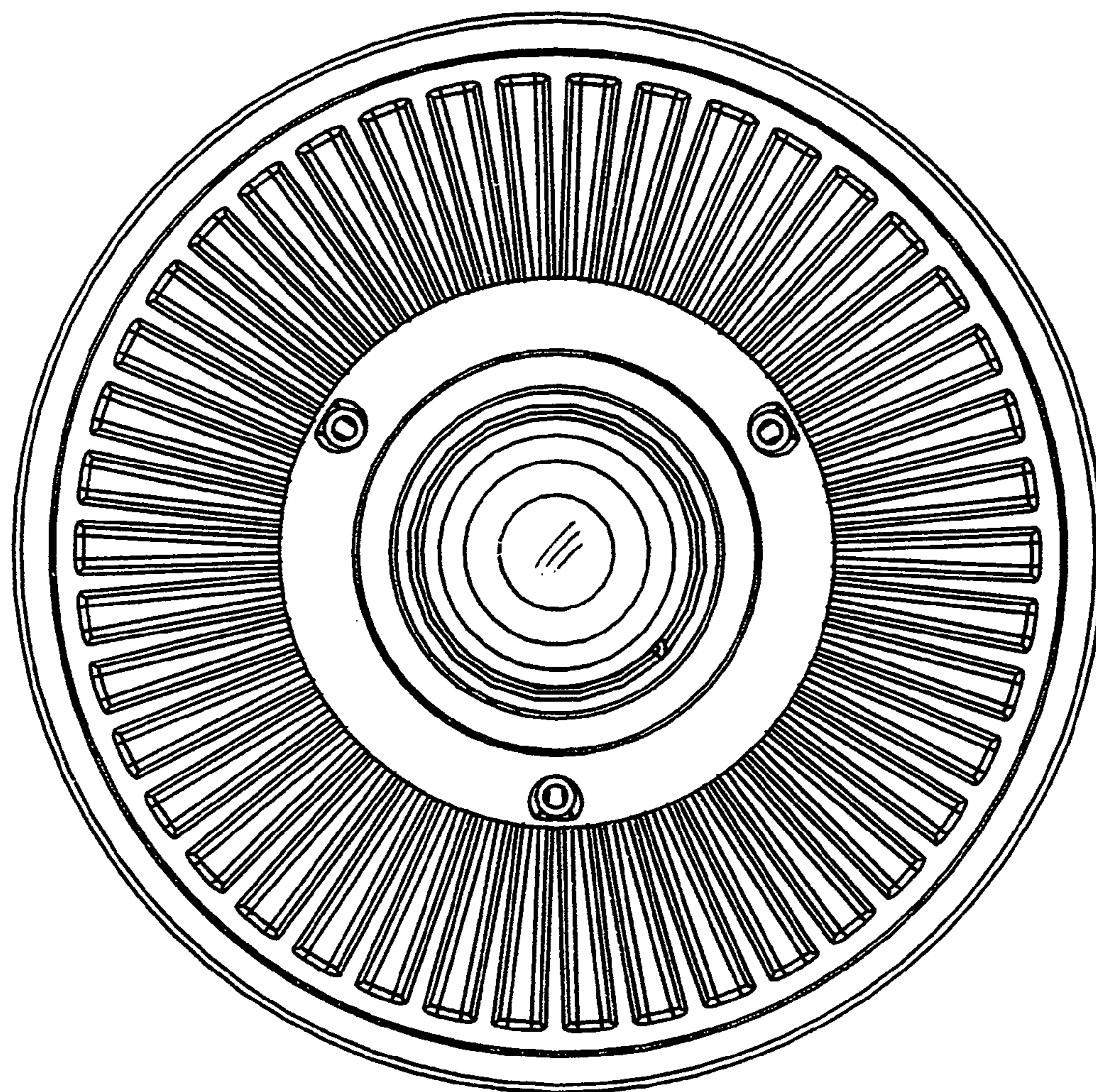


Fig. 4

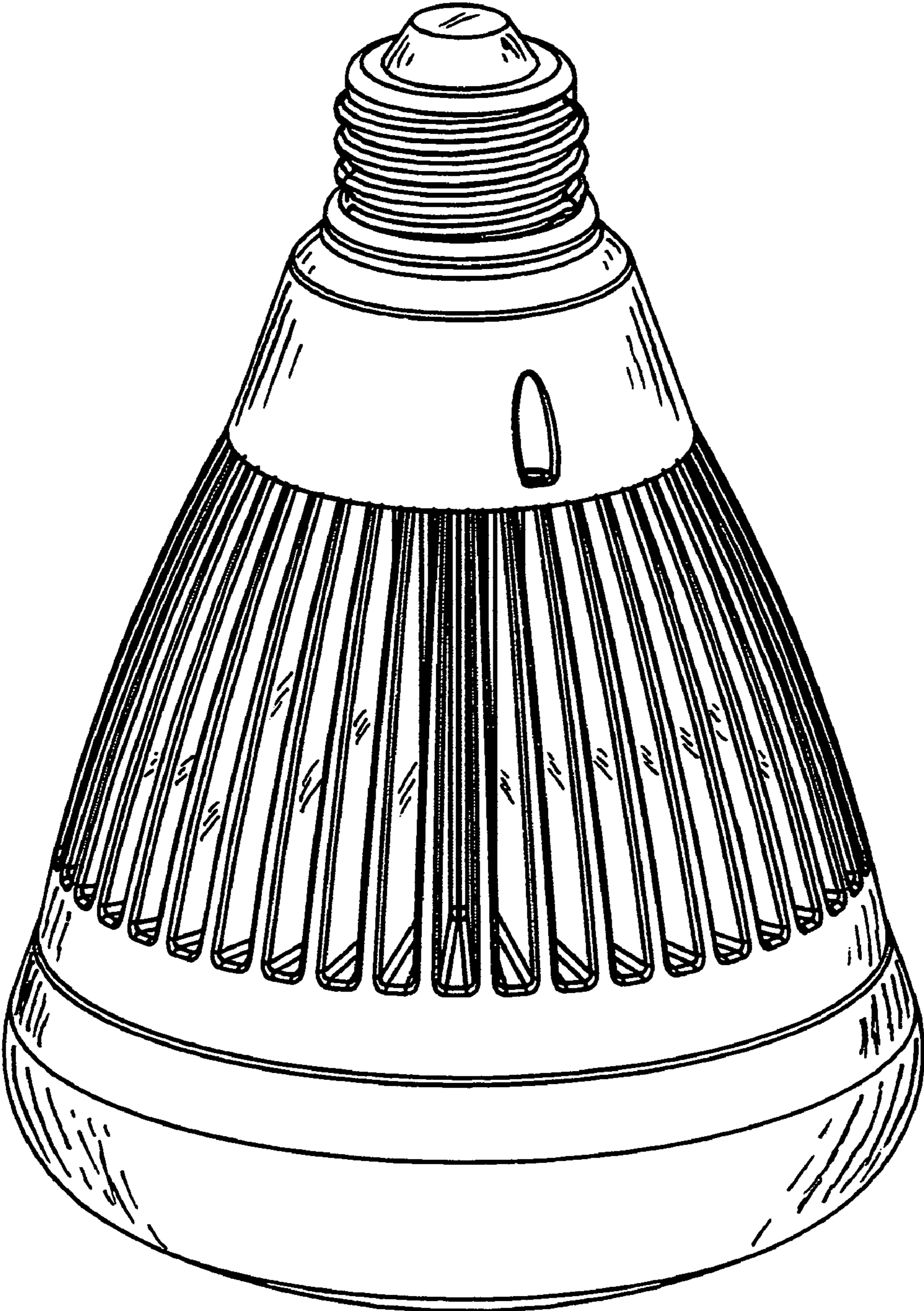


Fig. 5

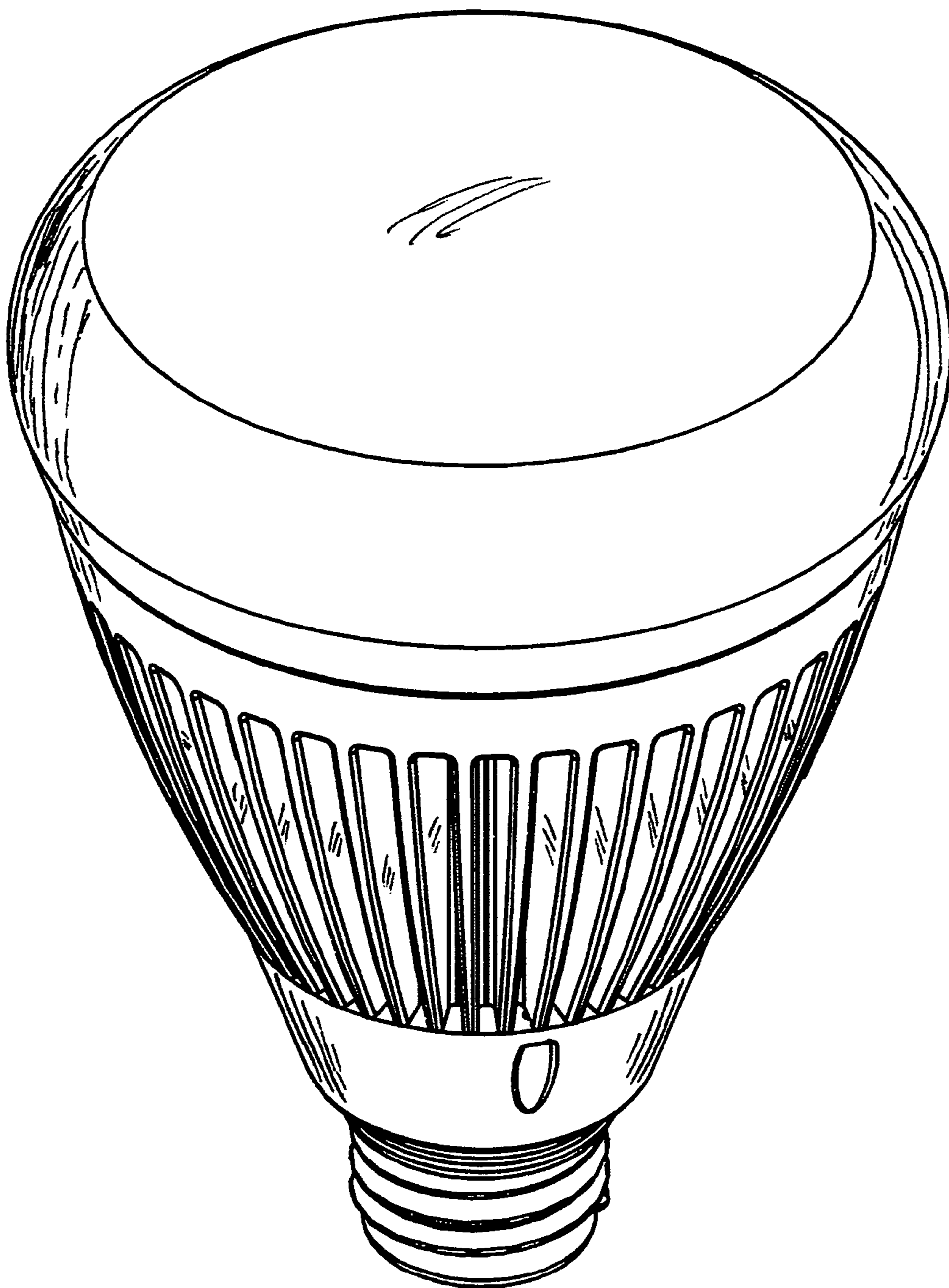


Fig. 6

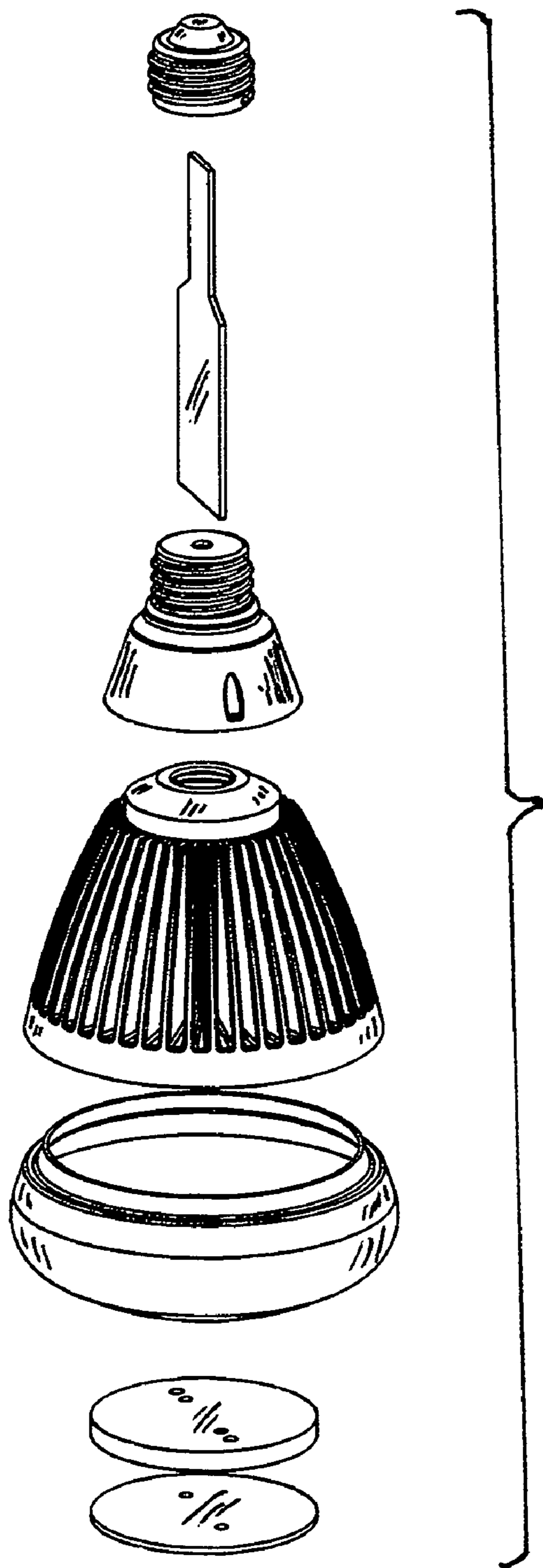


Fig. 7



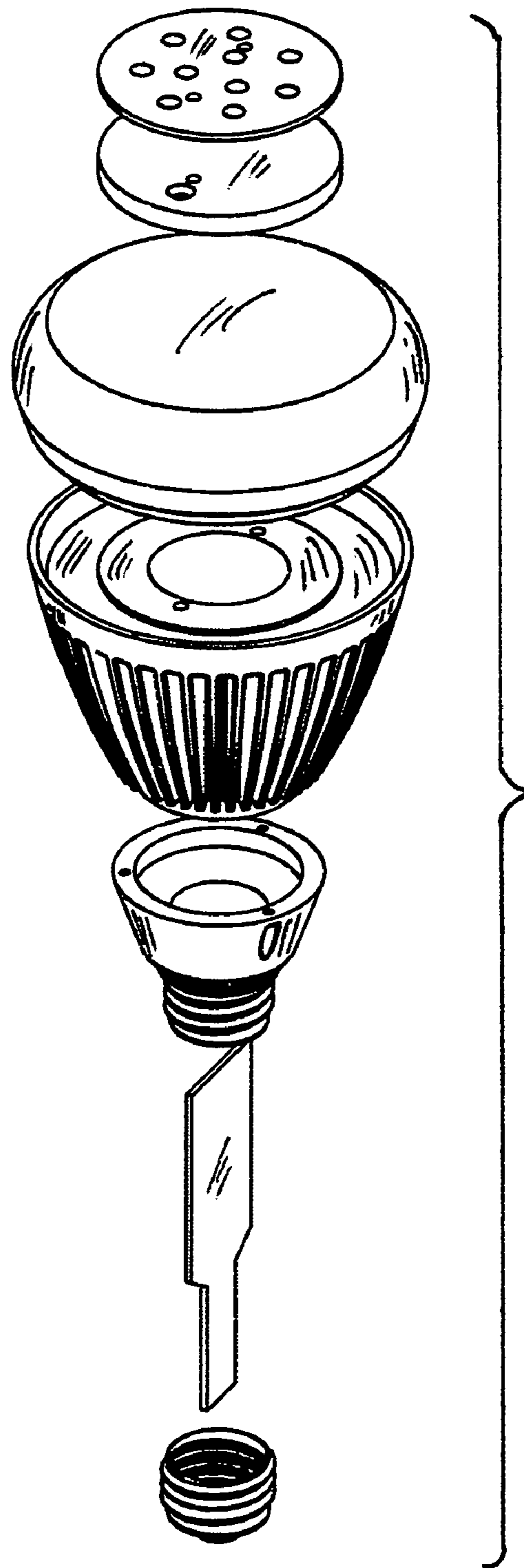


Fig. 8