

US00D631978S

(12) **United States Design Patent**  
**McRae**

(10) **Patent No.:** **US D631,978 S**

(45) **Date of Patent:** **\*\* Feb. 1, 2011**

(54) **FIRE ESCAPE LADDER SUPPORT**

2004/0108163 A1 6/2004 Johnson

(76) Inventor: **Daniel T. McRae**, 4735 Highway 9  
West, Dillon, SC (US) 29536

\* cited by examiner

(\*\*) Term: **14 Years**

*Primary Examiner*—Doris Clark  
(74) *Attorney, Agent, or Firm*—Crossley Patent Law; Mark A. Crossley

(21) Appl. No.: **29/357,261**

(57) **CLAIM**

(22) Filed: **Mar. 10, 2010**

The ornamental design for a fire escape ladder support, as shown and described.

(51) **LOC (9) Cl.** ..... **25-04**

(52) **U.S. Cl.** ..... **D25/62; D25/64**

(58) **Field of Classification Search** ..... D25/62,  
D25/64, 68; 182/70, 74, 76, 48, 49, 53, 54  
See application file for complete search history.

**DESCRIPTION**

FIG. 1 is a front elevation view of a fire escape ladder support showing my new design;

FIG. 2 is a rear elevation view thereof;

FIG. 3 is a right elevation view thereof, the opposite side being a mirror image of the shown;

FIG. 4 is a top plan view thereof;

FIG. 5 is a bottom plan view thereof;

FIG. 6 is an isometric view thereof; and,

FIG. 7 is an in-use front elevation thereof.

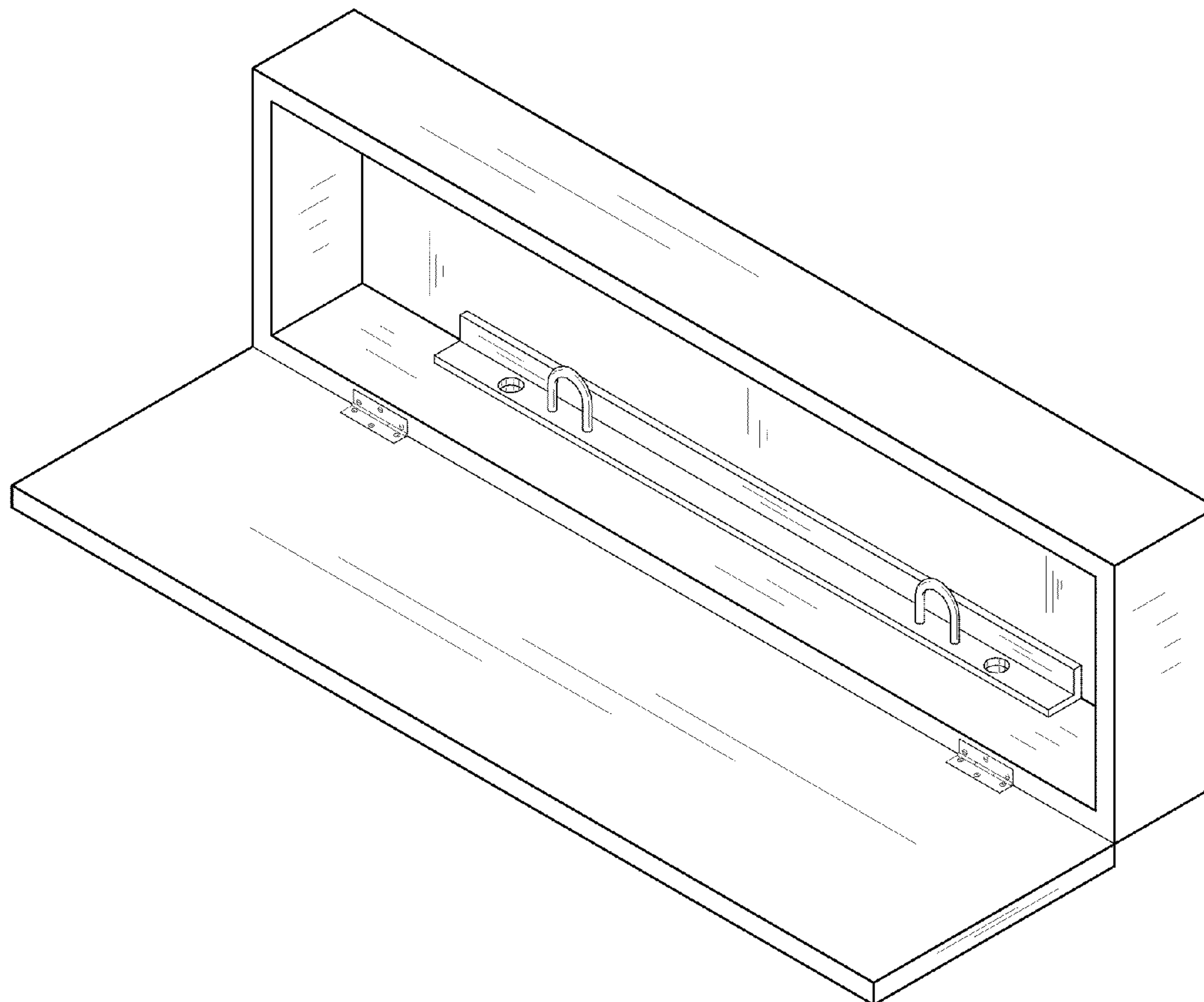
The broken lines in the drawings depict environmental subject matter only and form no part of the claimed design.

(56) **References Cited**

U.S. PATENT DOCUMENTS

5,628,380	A *	5/1997	Matisi	.....	182/70
5,746,287	A *	5/1998	Durham, Jr.	.....	182/70
5,842,539	A *	12/1998	Hough	.....	182/70
D432,669	S *	10/2000	Bryjak et al.	.....	D25/62
6,129,178	A	10/2000	Shupp, Jr.		
6,328,129	B1	12/2001	Ferguson		
D497,007	S *	10/2004	Weber et al.	.....	D25/64
6,868,942	B2	3/2005	Barzilai et al.		
6,994,183	B2	2/2006	Peters		

**1 Claim, 4 Drawing Sheets**



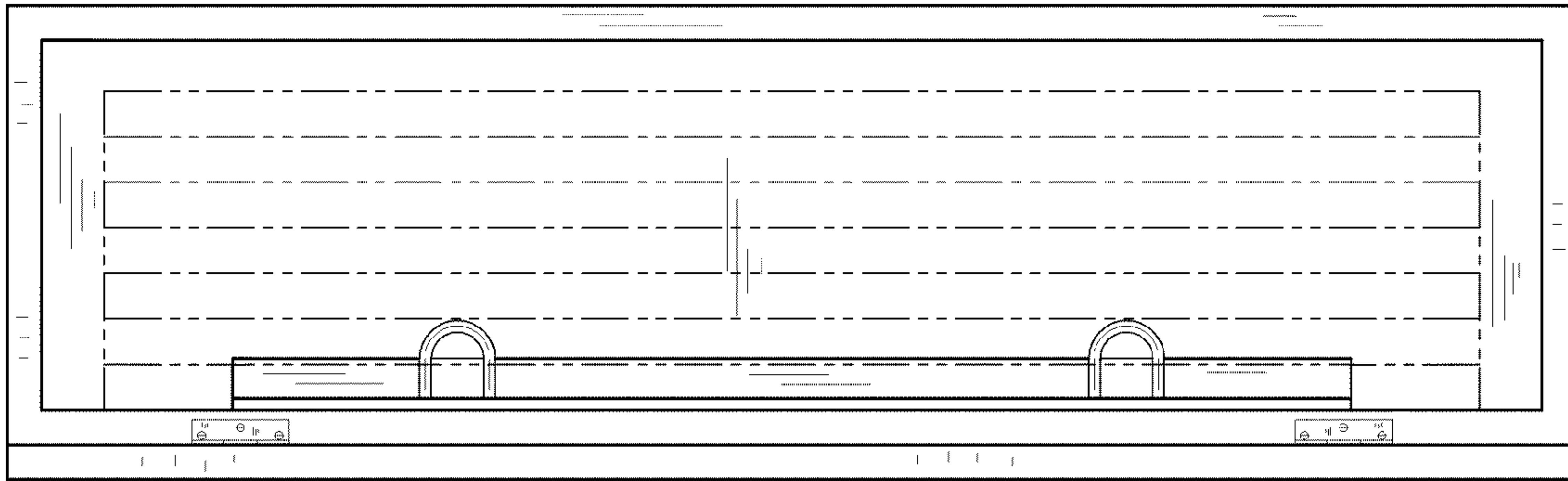


FIG. 1

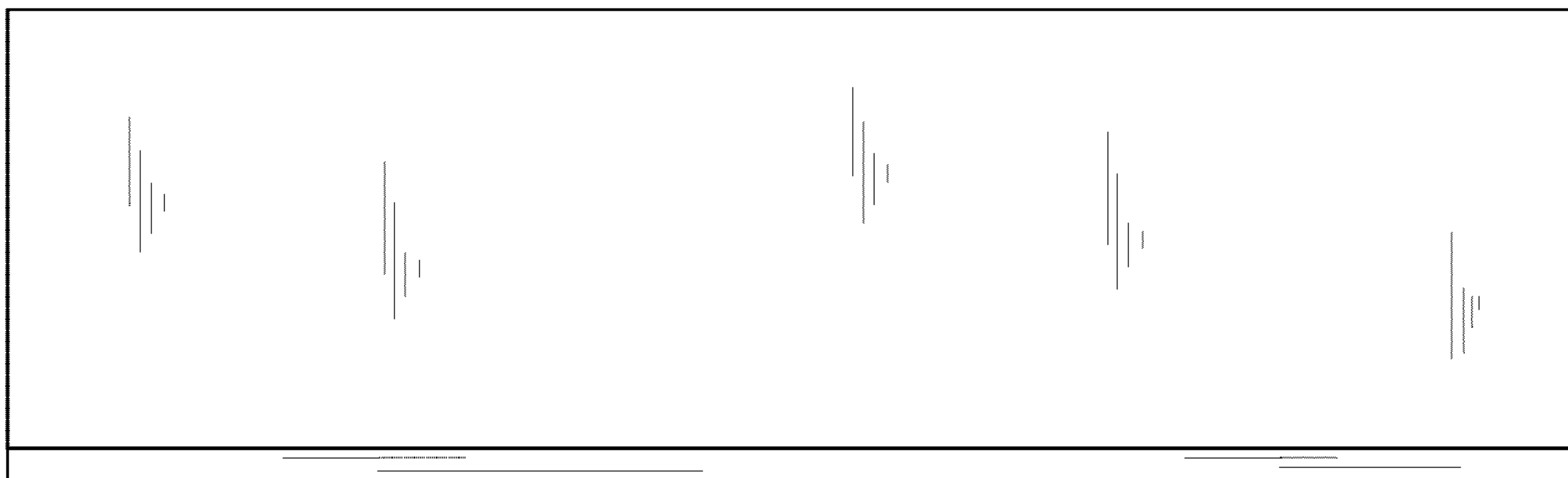


FIG. 2

FIG. 3

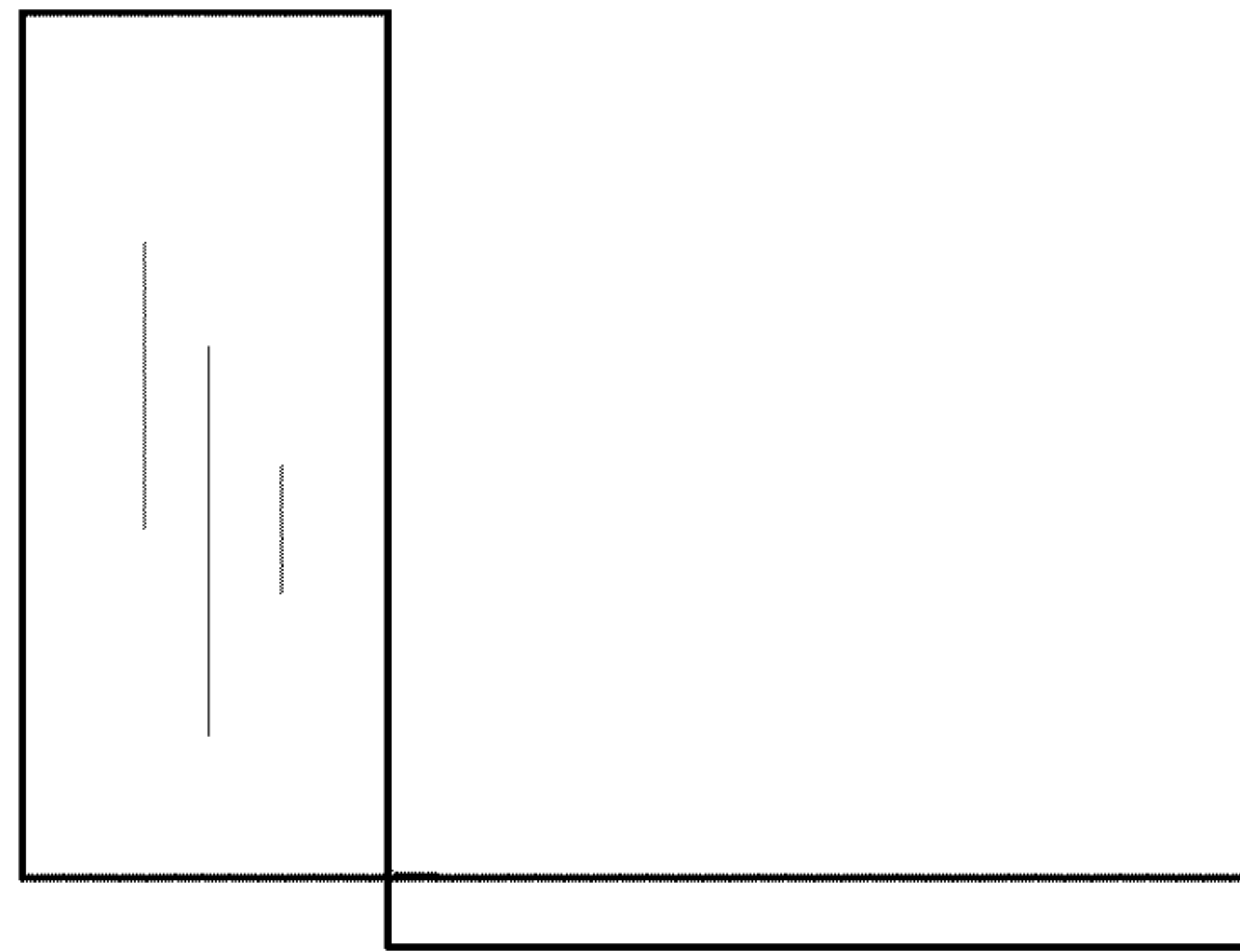


FIG. 4



FIG. 5

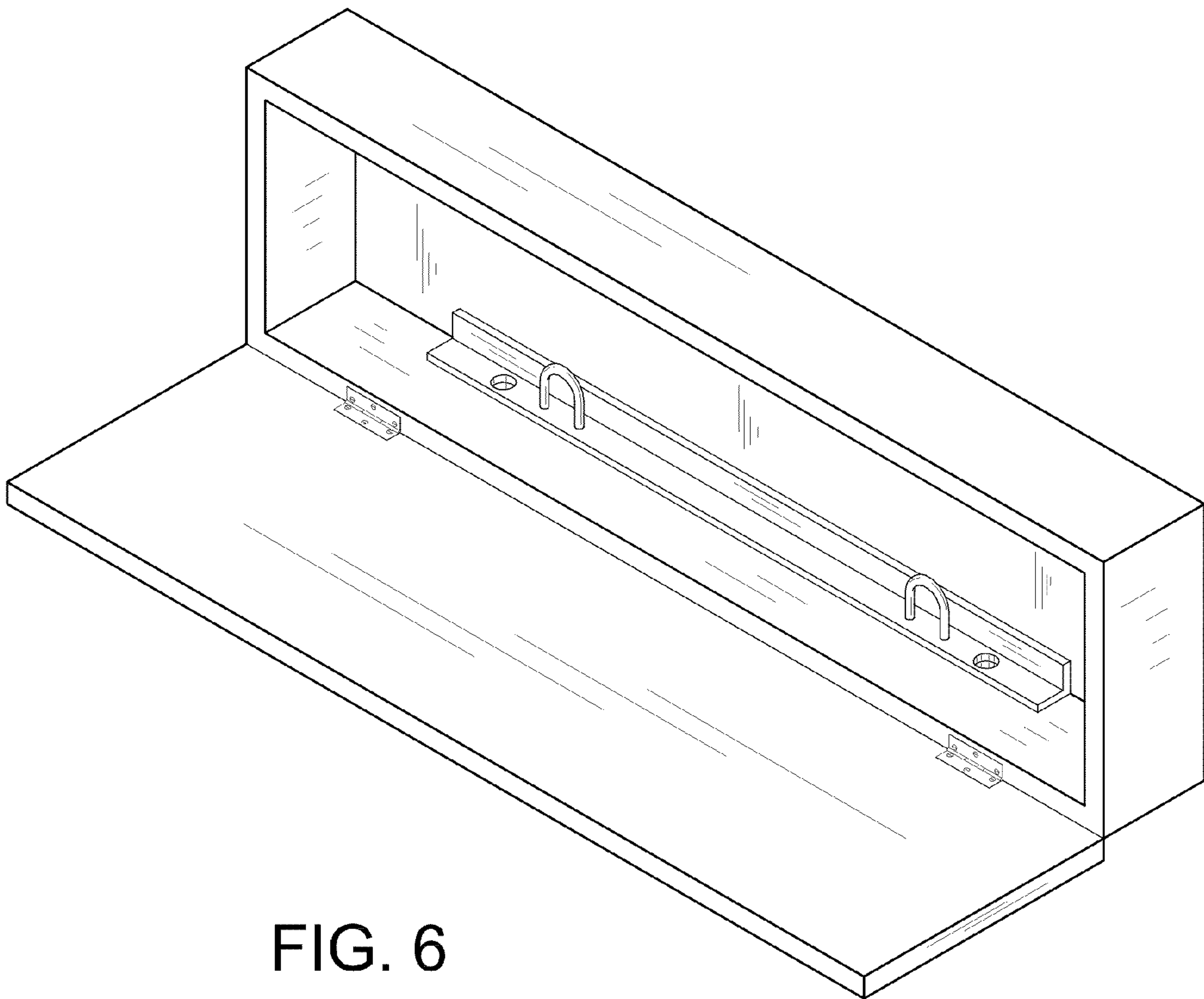


FIG. 6

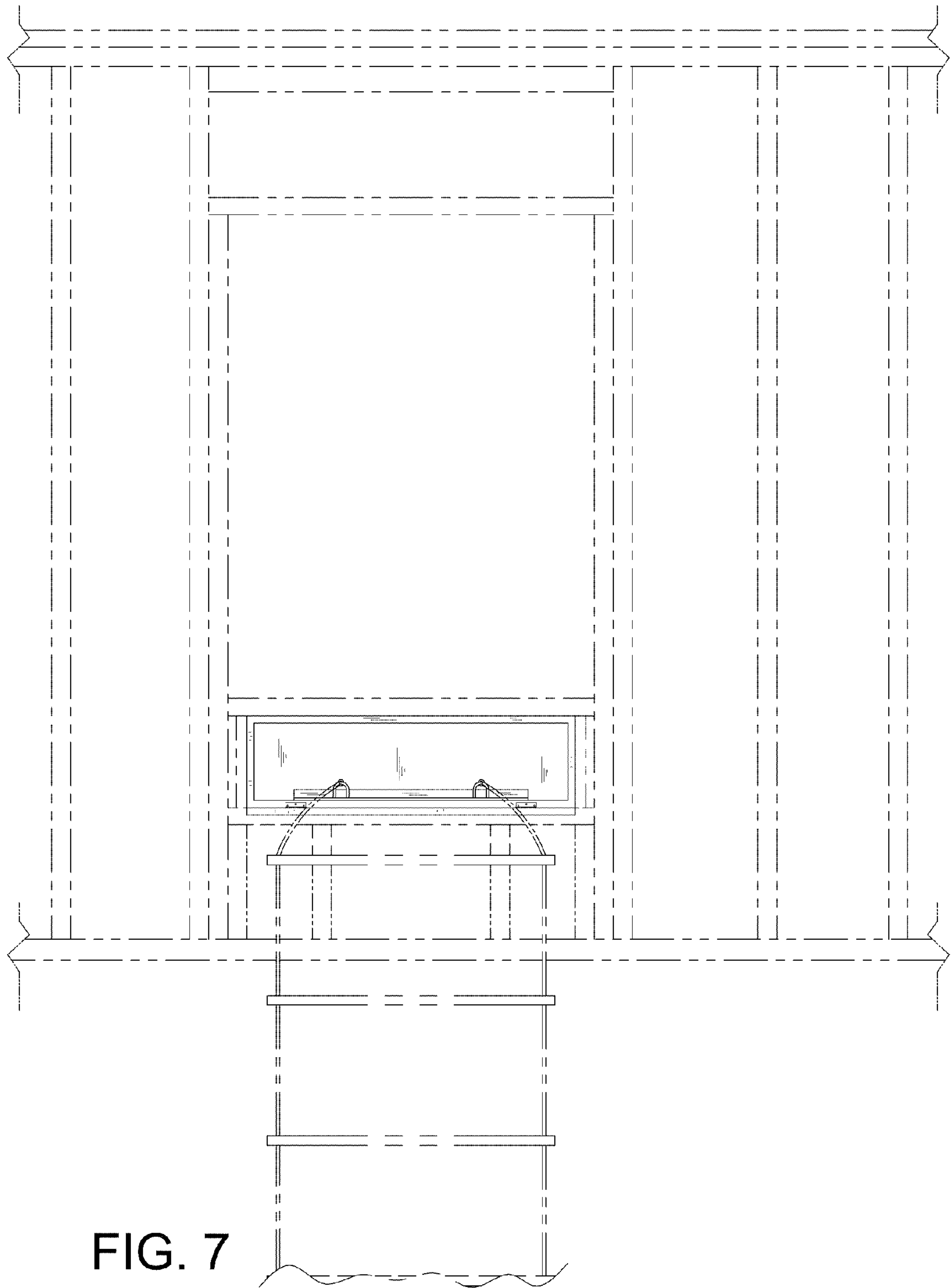


FIG. 7