



US00D631977S

(12) **United States Design Patent**  
**Taylor**

(10) **Patent No.:** **US D631,977 S**  
(45) **Date of Patent:** **\*\* Feb. 1, 2011**

(54) **FLOOD CONTROL BARRIER**

(75) Inventor: **Jaren Taylor**, Logan, UT (US)  
(73) Assignee: **Muscle Wall, LLC**, Logan, UT (US)  
(\*\*) Term: **14 Years**  
(21) Appl. No.: **29/350,685**  
(22) Filed: **Nov. 20, 2009**

(51) **LOC (9) Cl.** ..... **25-02**  
(52) **U.S. Cl.** ..... **D25/38**  
(58) **Field of Classification Search** ..... D25/38,  
D25/58; 405/15, 107  
See application file for complete search history.

(56) **References Cited**

U.S. PATENT DOCUMENTS

D385,362 S *	10/1997	Rossetti	.....	D25/58
6,840,711 B1 *	1/2005	Martinez et al.	.....	405/107
D552,250 S *	10/2007	Christensen et al.	.....	D25/38
7,364,385 B1 *	4/2008	Luke	.....	405/114
D569,992 S *	5/2008	Christensen et al.	.....	D25/38
7,445,403 B2 *	11/2008	Williams et al.	.....	405/107

\* cited by examiner

*Primary Examiner*—Doris Clark  
(74) *Attorney, Agent, or Firm*—Workman Nydegger

(57) **CLAIM**

The ornamental design for a flood control barrier, as shown and described.

**DESCRIPTION**

FIG. 1 is a perspective view of a flood control barrier in accordance with a preferred embodiment of the present invention;

FIG. 2 is a front elevational view of the flood control barrier shown in FIG. 1;

FIG. 3 is a back elevational view of the flood control barrier shown in FIG. 1;

FIG. 4 is a left side elevational view of the flood control barrier shown in FIG. 1;

FIG. 5 is a right side elevational view of the flood control barrier shown in FIG. 1;

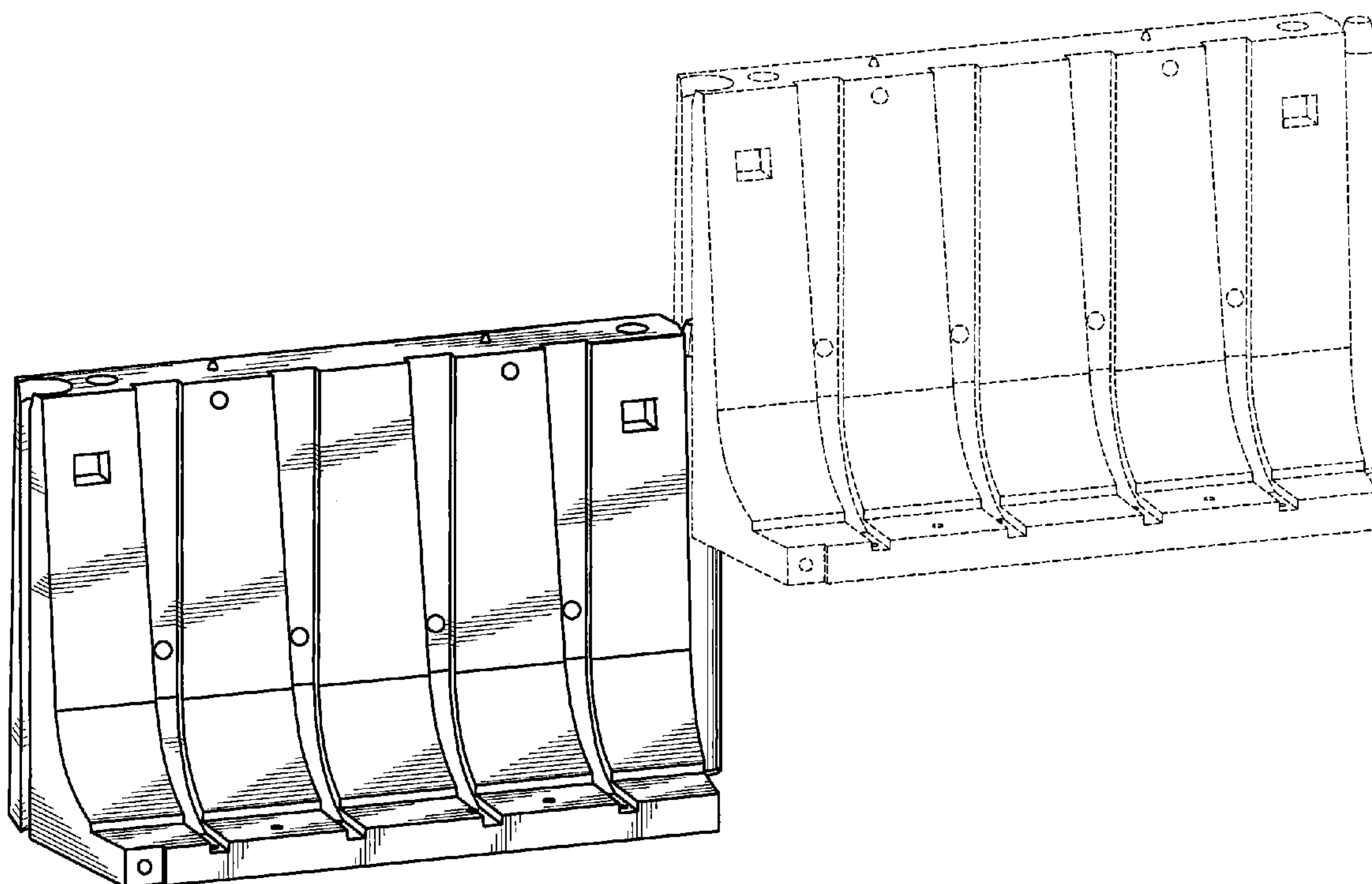
FIG. 6 is a top plan view of the flood control barrier shown in FIG. 1;

FIG. 7 is a bottom plan view of the flood control barrier shown in FIG. 1;

FIG. 8 is a right side elevational view of the flood control barrier shown in FIG. 1; with a phantom elevational view of a second flood control barrier interlocked in a storage position; and,

FIG. 9 is a perspective view of the flood control barrier shown in FIG. 1, with a phantom perspective view of a second flood control barrier interlocked in a use position.

**1 Claim, 9 Drawing Sheets**



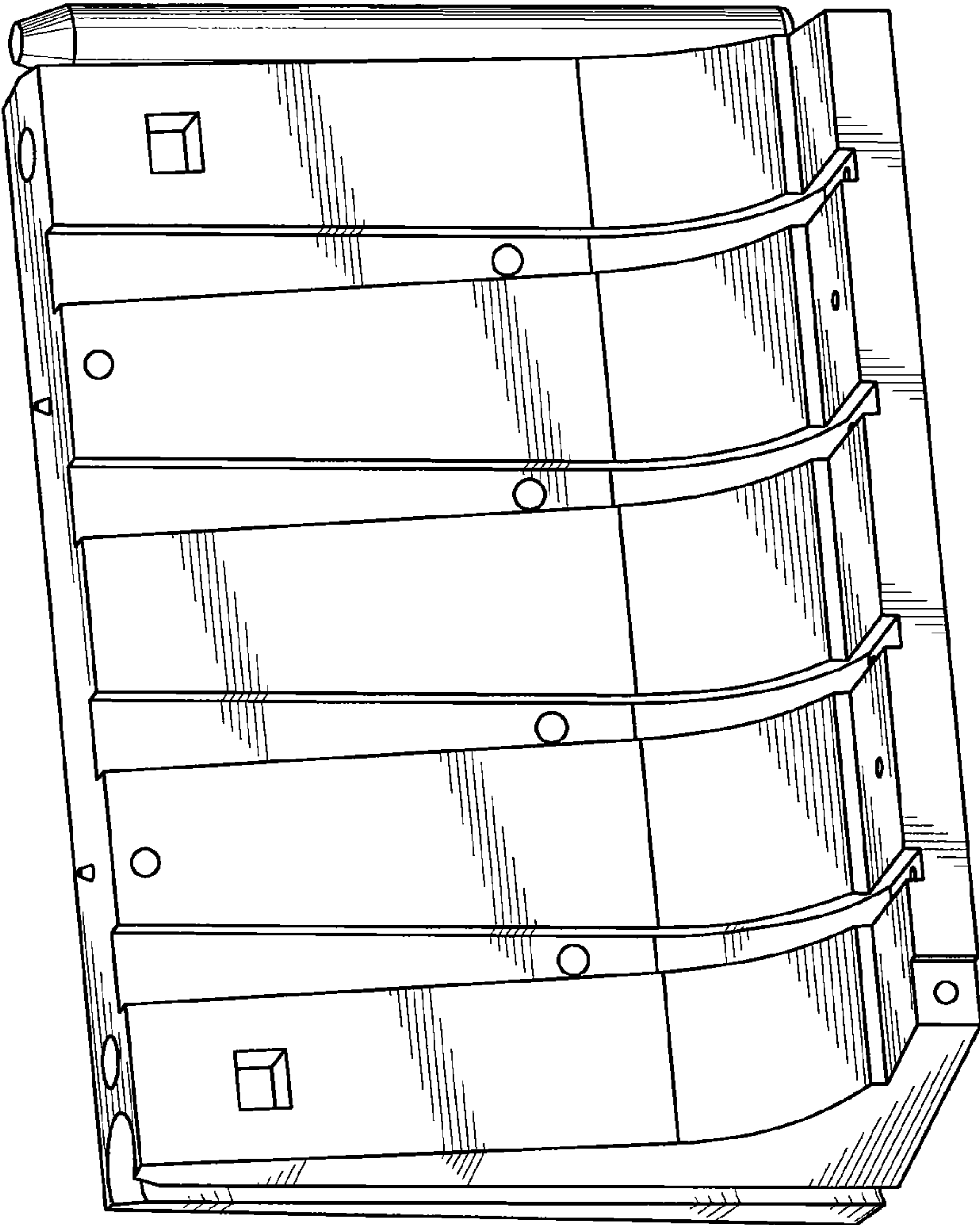


Fig. 1

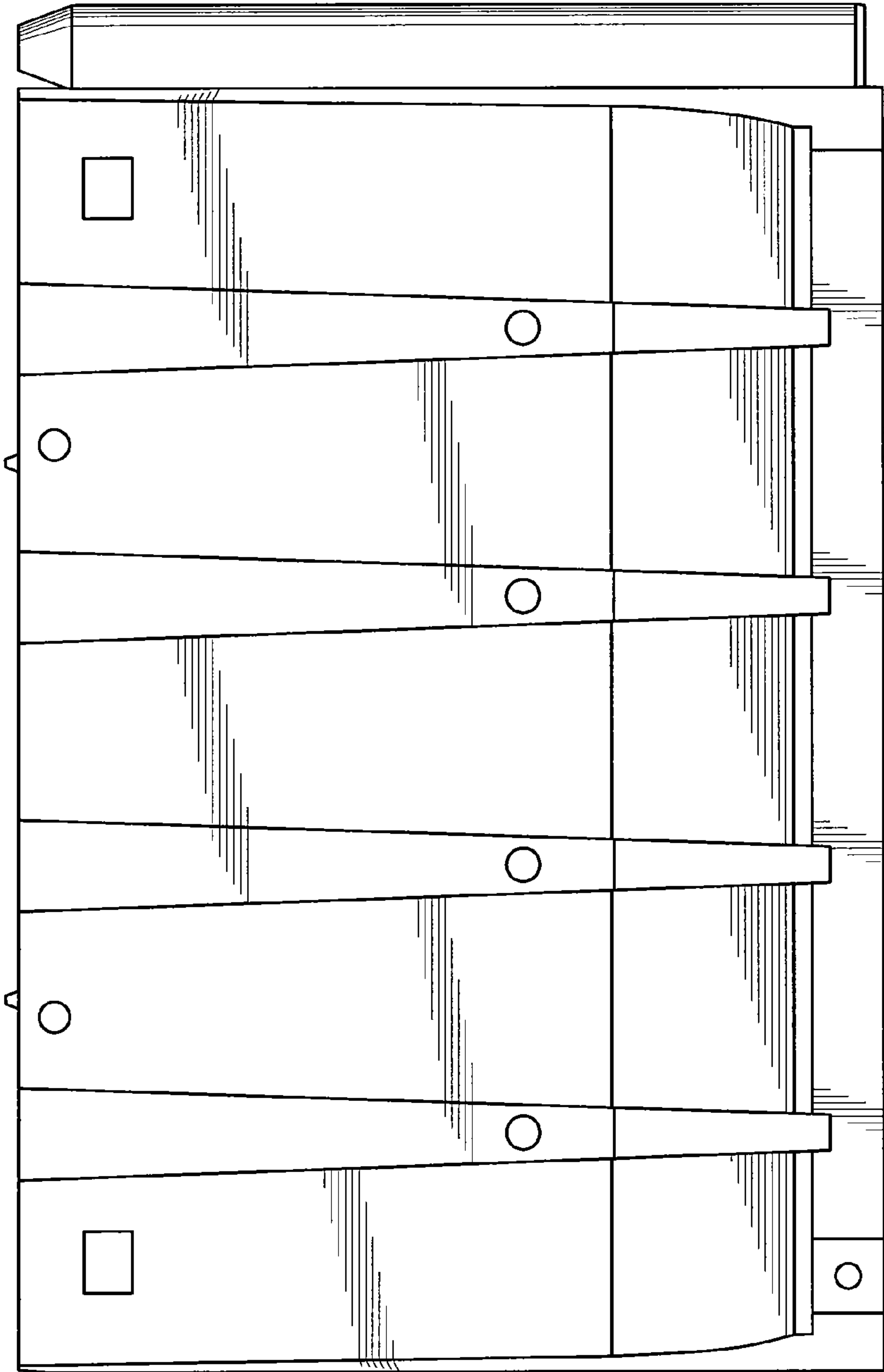


Fig. 2

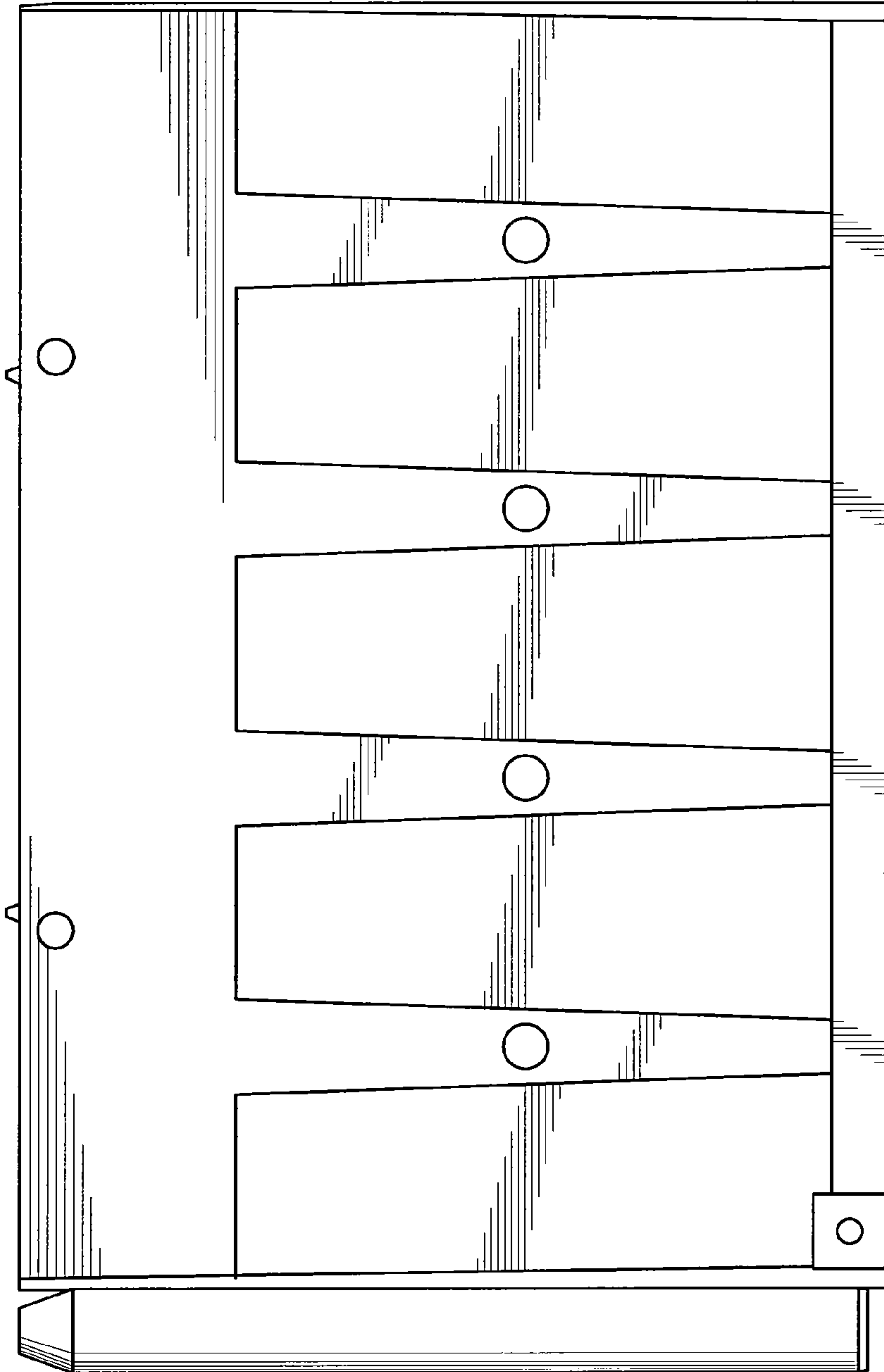
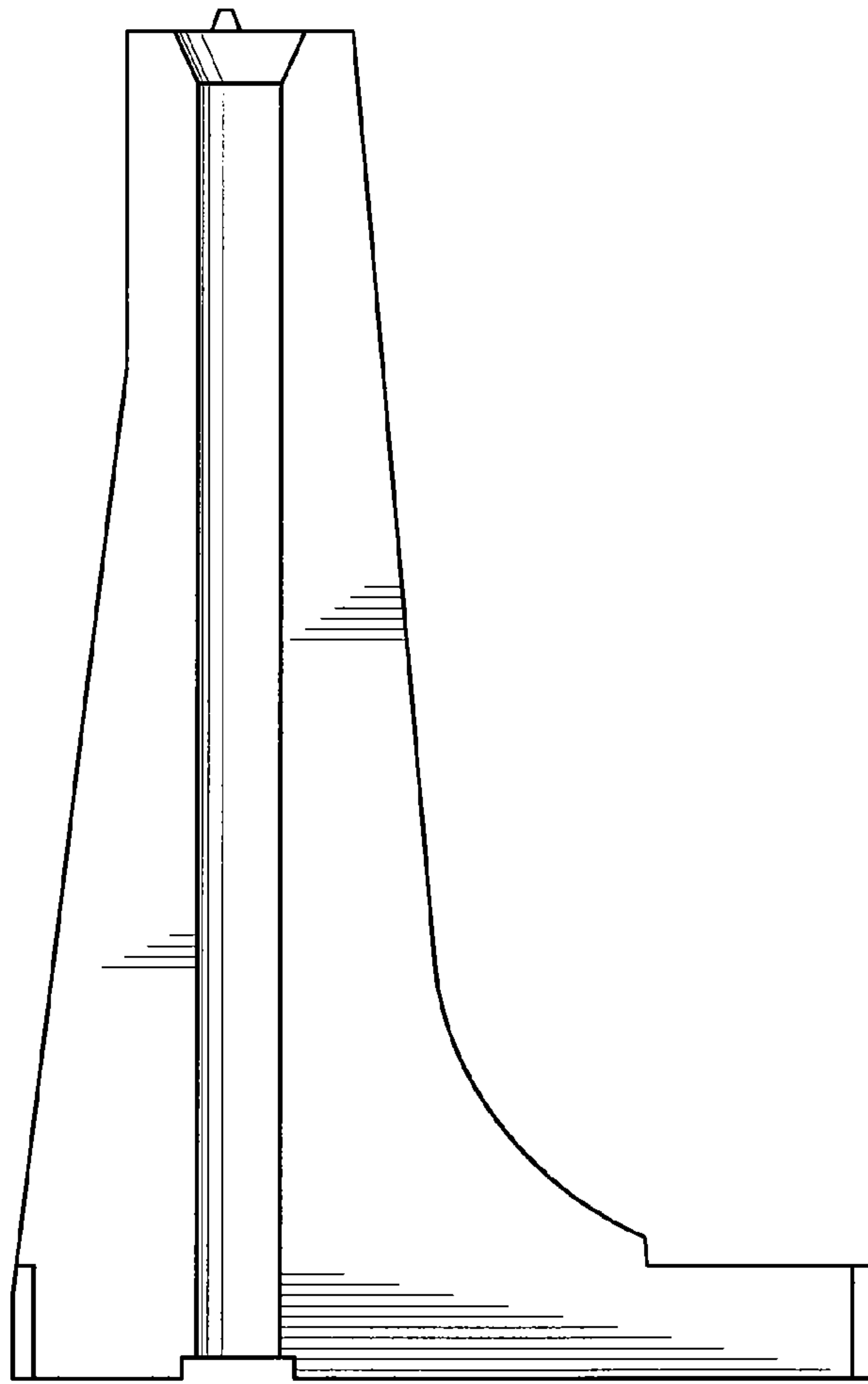
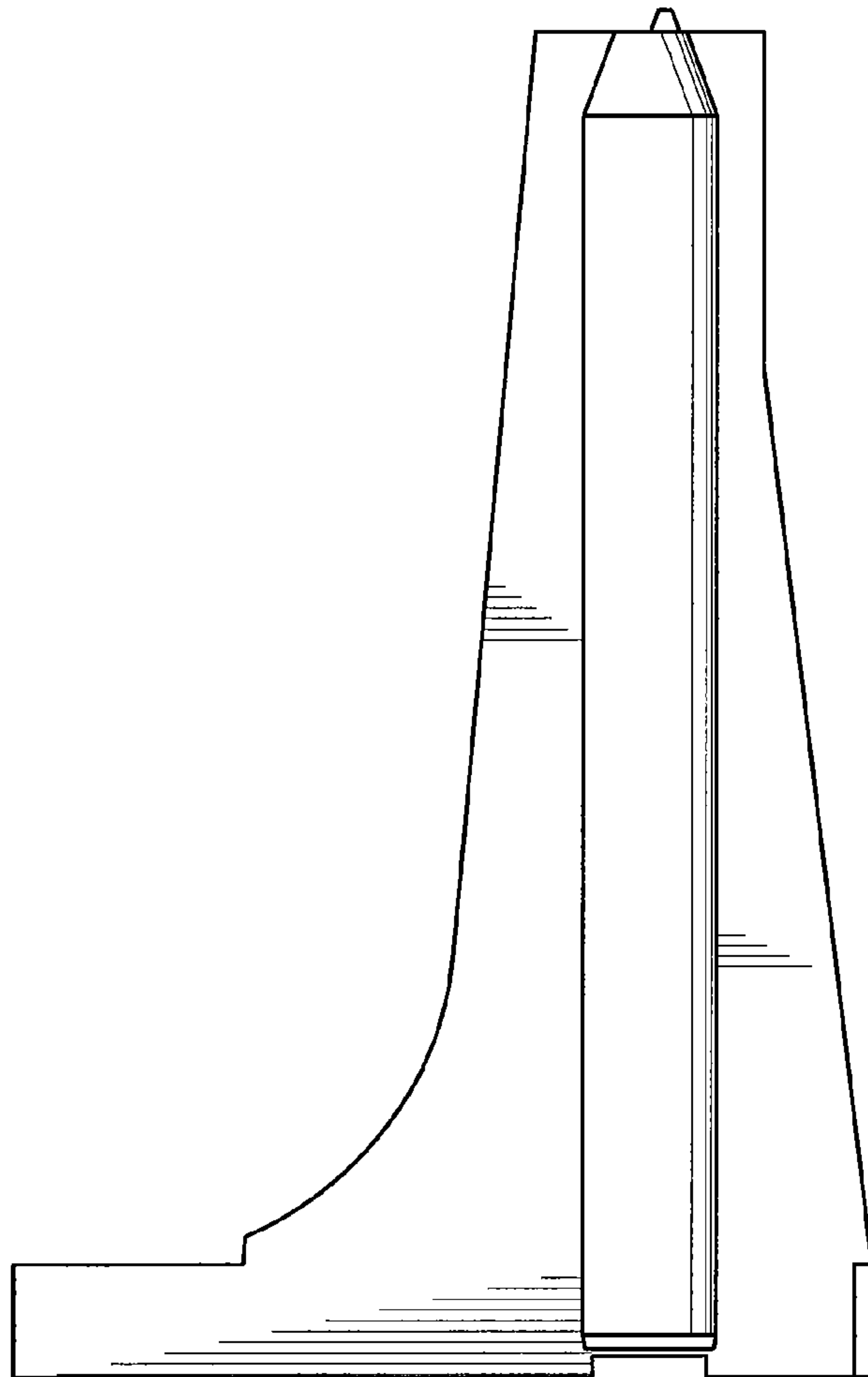


Fig. 3



*Fig. 4*



*Fig. 5*

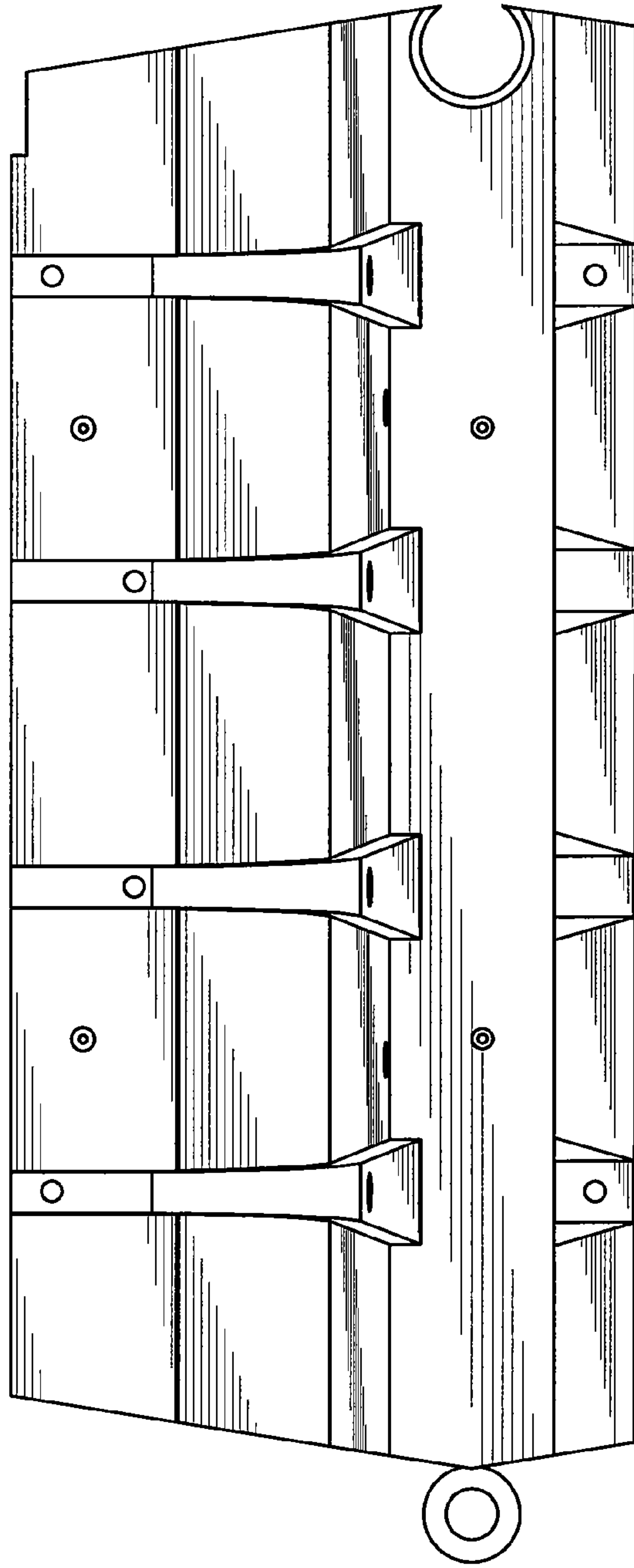


Fig. 6

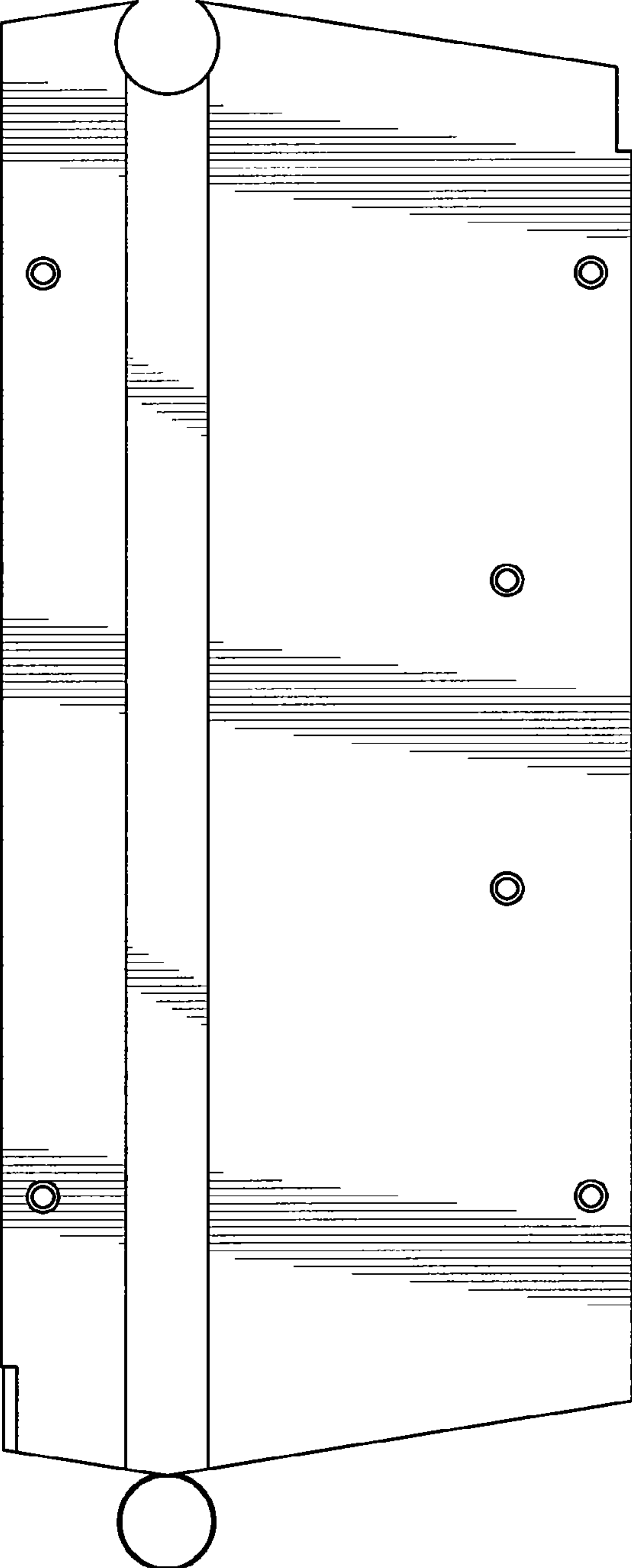


Fig. 7



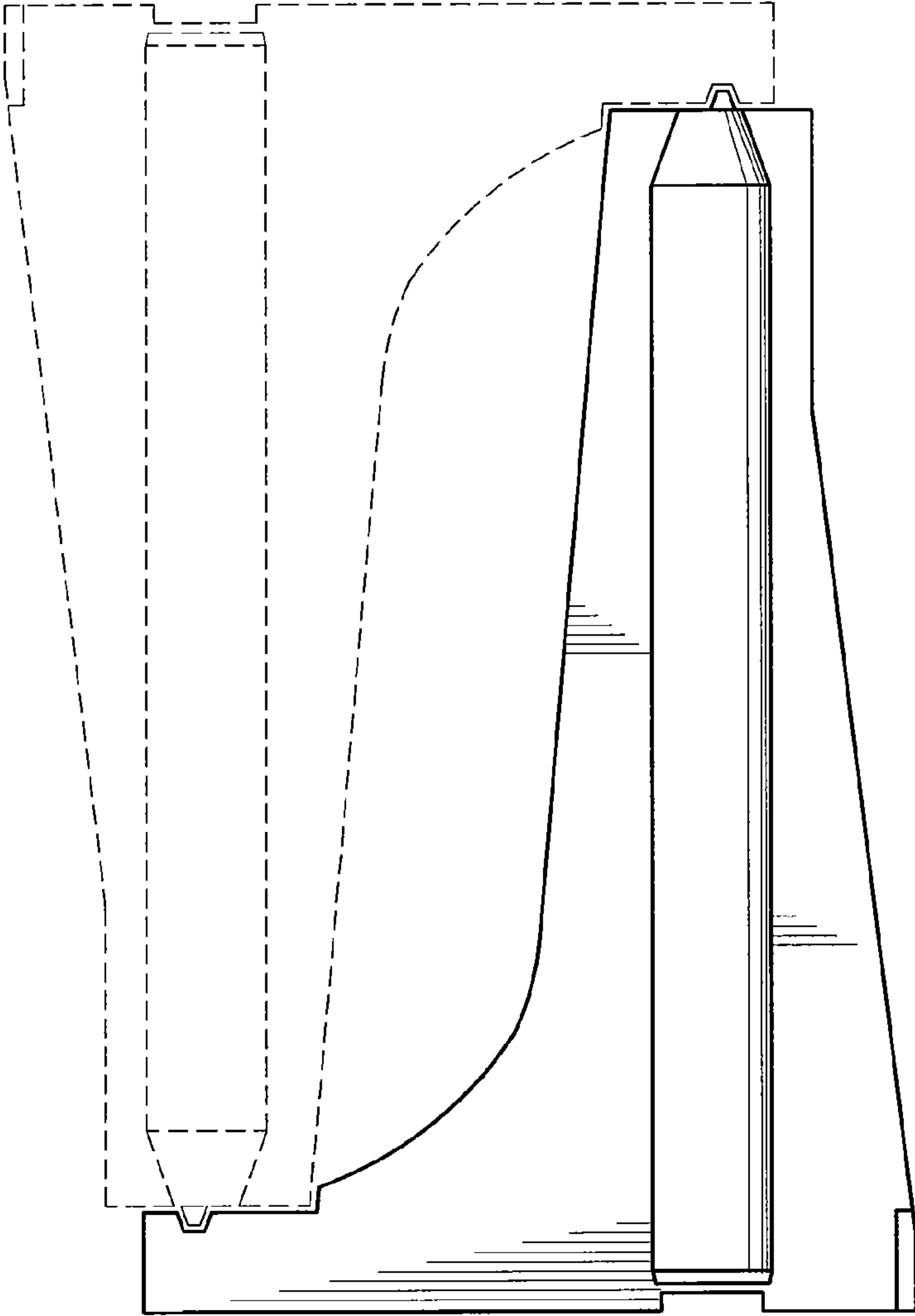


Fig. 8

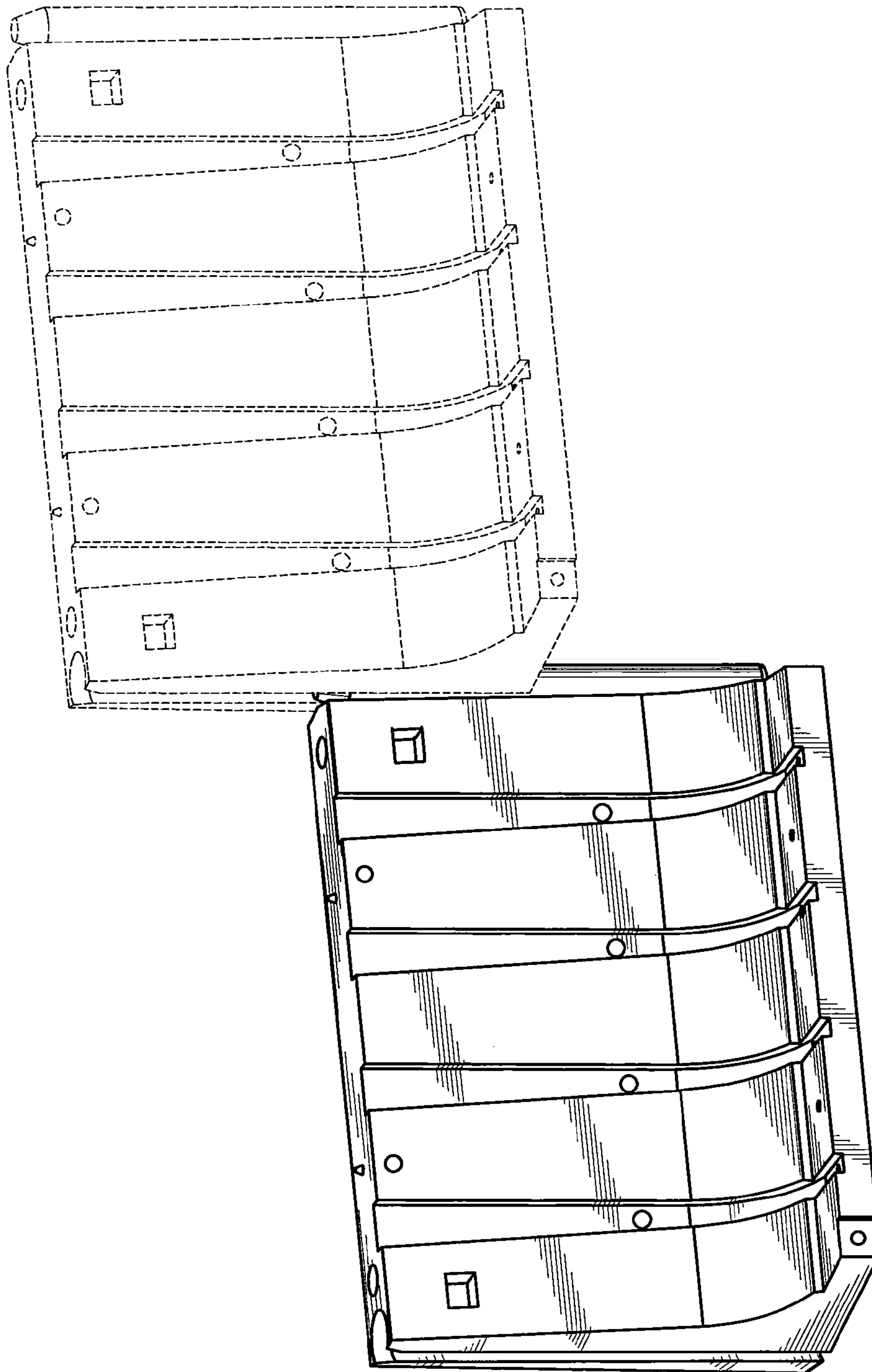


Fig. 9