



US00D631972S

(12) **United States Design Patent**  
**Imboden et al.**

(10) **Patent No.:** **US D631,972 S**  
(45) **Date of Patent:** **\*\* Feb. 1, 2011**

(54) **MESSAGE DEVICE**

D366,673 S \* 1/1996 Harling-Berg ..... D21/623  
D586,469 S \* 2/2009 Henry ..... D24/200

(75) Inventors: **Ethan F. Imboden**, San Francisco, CA (US); **Yves Behar**, San Francisco, CA (US); **Josh Morenstein**, San Francisco, CA (US); **Jeff Wyatt**, Bozeman, MT (US)

\* cited by examiner

*Primary Examiner*—Sandra Snapp  
(74) *Attorney, Agent, or Firm*—Winston & Strawn LLP

(73) Assignee: **Jimmyjane, Inc.**, San Francisco, CA (US)

(57) **CLAIM**

(\*\*) Term: **14 Years**

The ornamental design for a message device, as shown and described.

(21) Appl. No.: **29/342,528**

(22) Filed: **Aug. 26, 2009**

**DESCRIPTION**

(51) **LOC (9) Cl.** ..... **28-03**

FIG. 1 is a front perspective view of a message device according to my new design;

(52) **U.S. Cl.** ..... **D24/215**

FIG. 2 is a front view of the message device of FIG. 1;

(58) **Field of Classification Search** ..... D24/200, D24/204, 206, 211–215, 201; 601/19, 22, 601/27, 28, 29, 30, 31, 39, 46, 56, 63, 68, 601/72, 80, 125, 135, 157, 169, DIG. 12, 601/DIG. 14, DIG. 16, DIG. 17; D6/335, D6/336; D21/685

FIG. 3 is a rear view of the message device of FIG. 1;

FIG. 4 is a side view of the message device of FIG. 1, to which an opposite side view is a mirror image thereof;

See application file for complete search history.

FIG. 5 is a top view of the message device of FIG. 1; and,

FIG. 6 is a bottom view of the message device of FIG. 1.

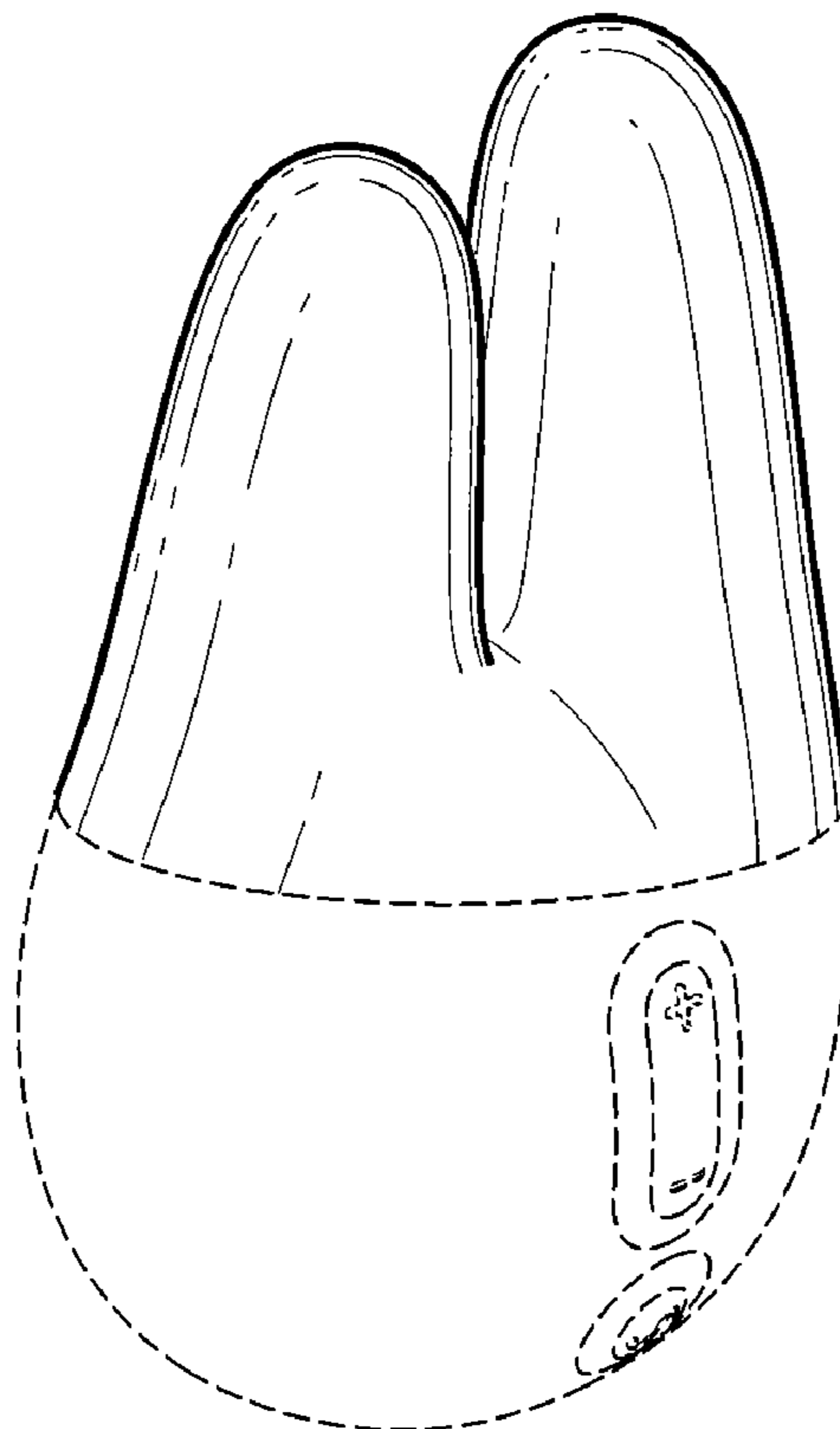
(56) **References Cited**

Elements shown in broken lines show environmental structures of the message device and form no part of our design.

**U.S. PATENT DOCUMENTS**

D197,889 S \* 4/1964 Hass ..... D24/194

**1 Claim, 6 Drawing Sheets**



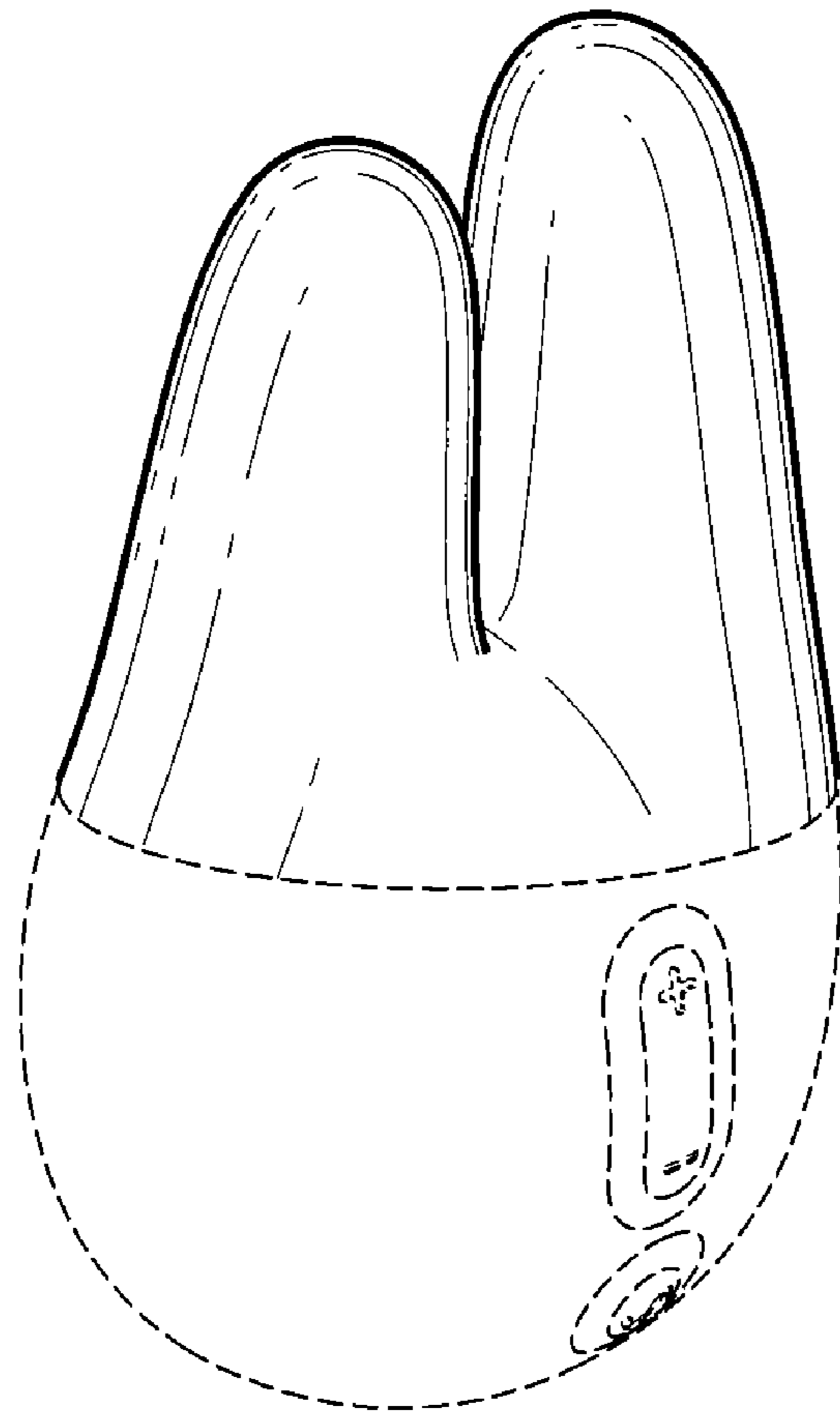


FIG. 1

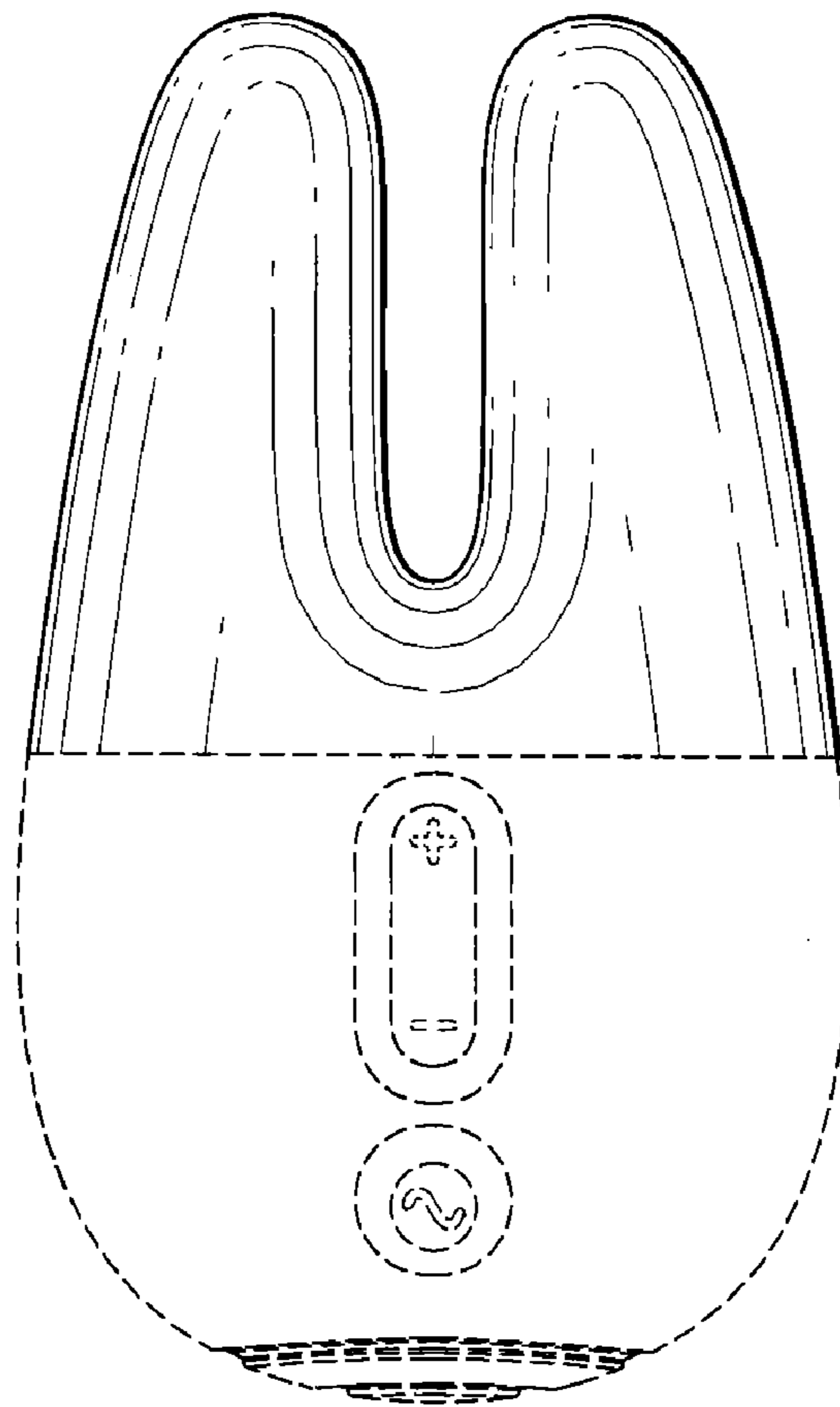


FIG. 2

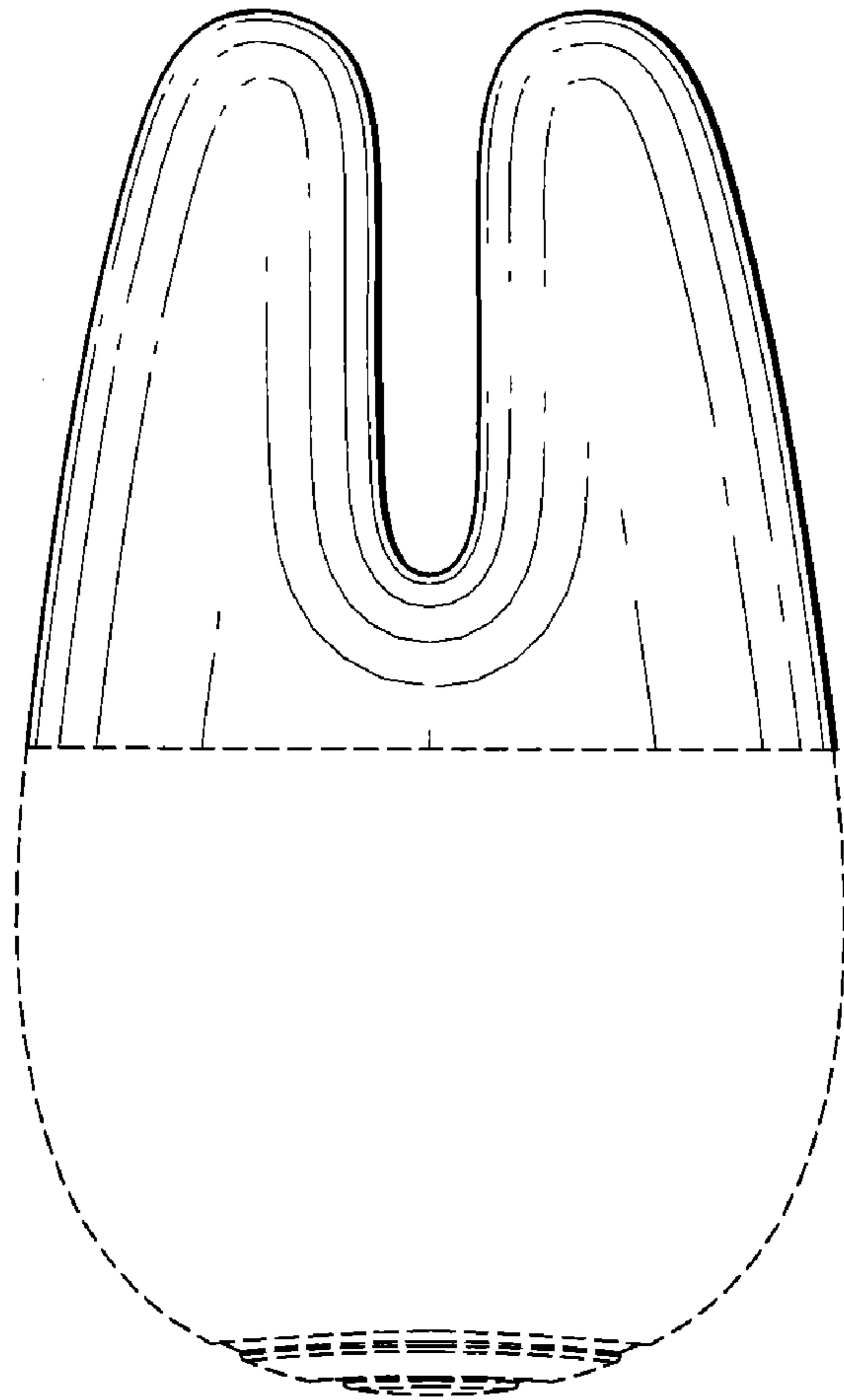


FIG. 3

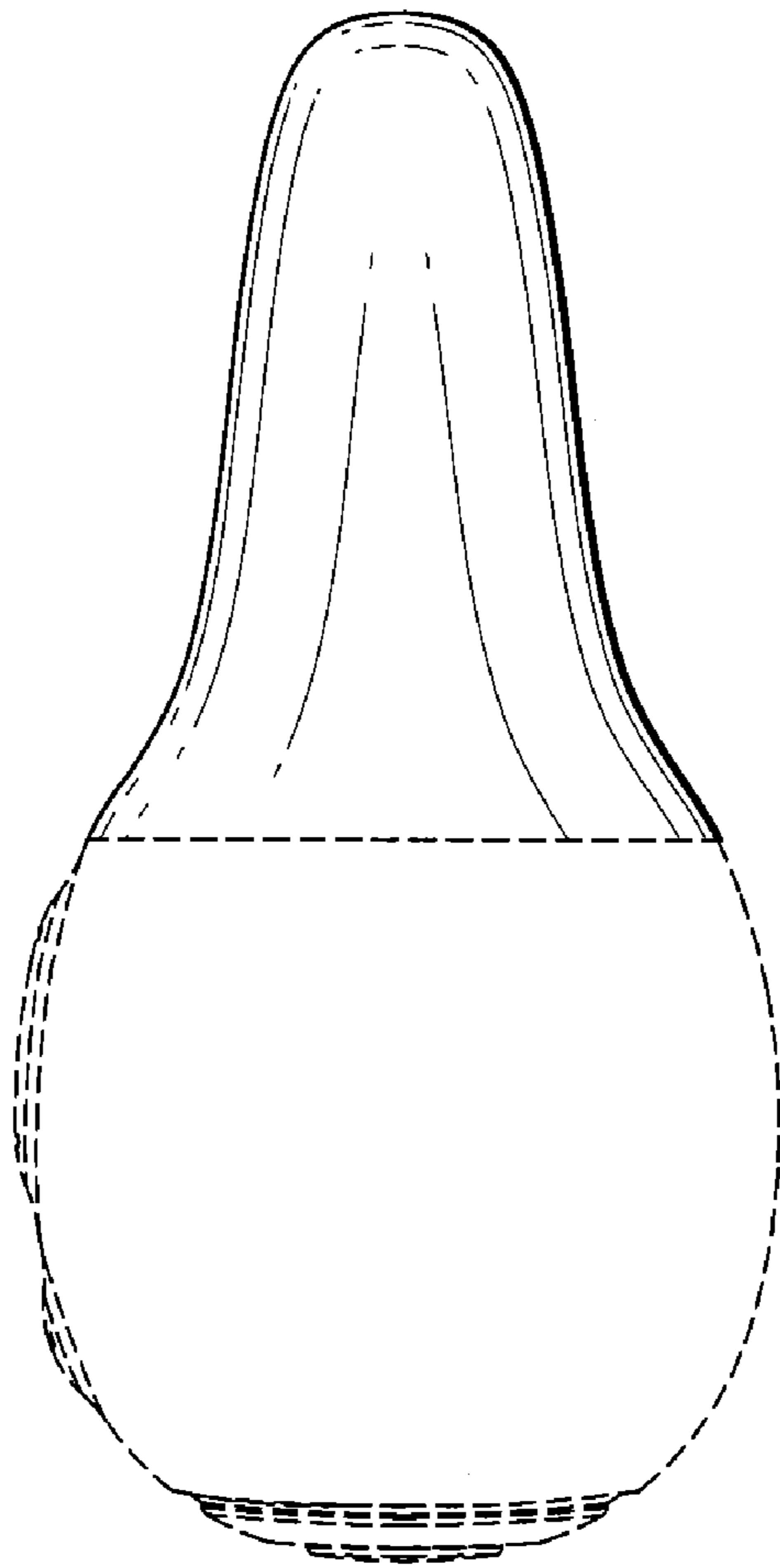


FIG. 4

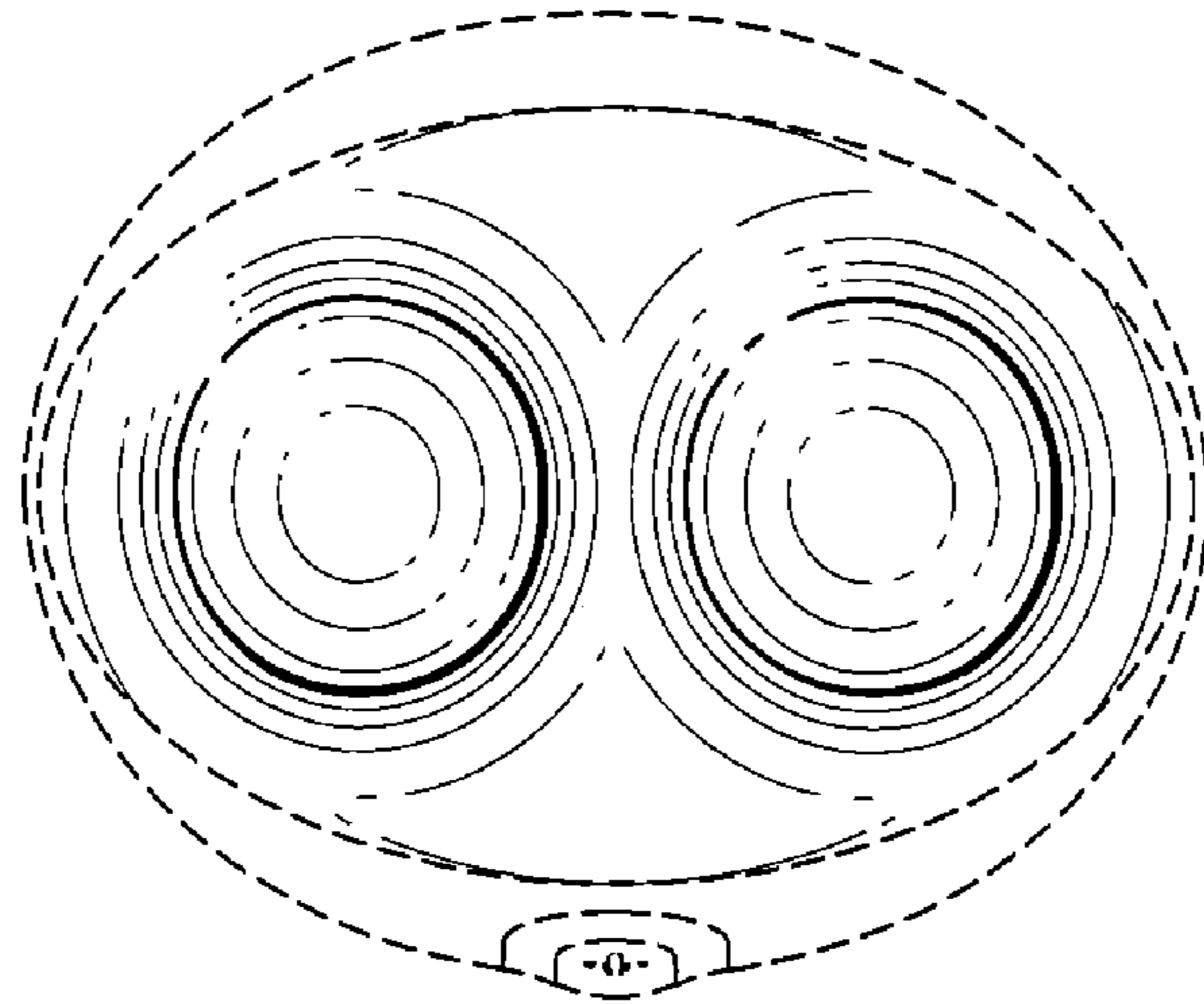


FIG. 5

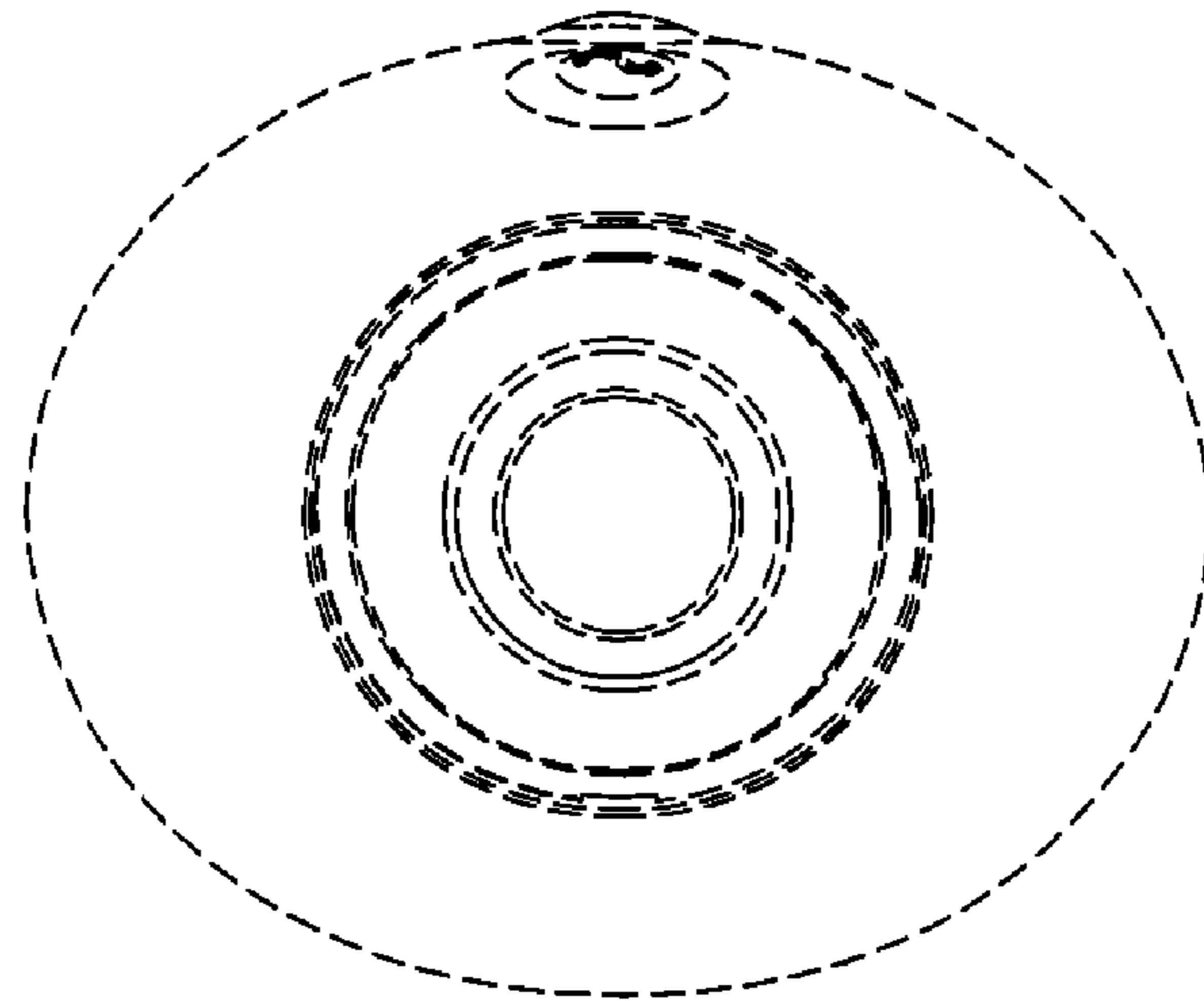


FIG. 6