



US00D631970S

(12) **United States Design Patent**
Held

(10) **Patent No.:** **US D631,970 S**
(45) **Date of Patent:** **** Feb. 1, 2011**

(54) **SYSTEM HEAD OF A CEILING MOUNTED SUPPORT SYSTEM**

D603,518 S * 11/2009 Zafar D24/185
D605,296 S * 12/2009 Hosey et al. D24/184

(75) Inventor: **Fred Held**, Hamburg (DE)
(73) Assignee: **Trumpf Medizin Systeme GmbH + Co. KG**, Puchheim
(**) Term: **14 Years**
(21) Appl. No.: **29/361,217**
(22) Filed: **May 7, 2010**

* cited by examiner
Primary Examiner—T. Chase Nelson
Assistant Examiner—Mark Cavanna
(74) *Attorney, Agent, or Firm*—Fish & Richardson P.C.

(30) **Foreign Application Priority Data**

Mar. 8, 2010 (EM) 001202220-0002
Mar. 8, 2010 (EM) 001202220-0003
Mar. 8, 2010 (EM) 001202220-0004
Mar. 8, 2010 (EM) 001202220-0005
Mar. 8, 2010 (EM) 001202220-0016

(57) **CLAIM**

The ornamental design for a system head of a ceiling mounted support system, substantially as shown and described.

(51) **LOC (9) Cl.** **24-02**
(52) **U.S. Cl.** **D24/185**
(58) **Field of Classification Search** D24/176-177,
D24/184-185, 232, 234, 128; D13/122,
D13/125, 133, 139.4, 146, 151-152, 162,
D13/240; 211/70.6; 439/607-610, 638,
439/650, 676; 248/281.11; 378/194; D10/75,
D10/81

DESCRIPTION

FIG. 1 is a perspective view of the first embodiment of a system head of a ceiling mounted support system showing my new design;

See application file for complete search history.

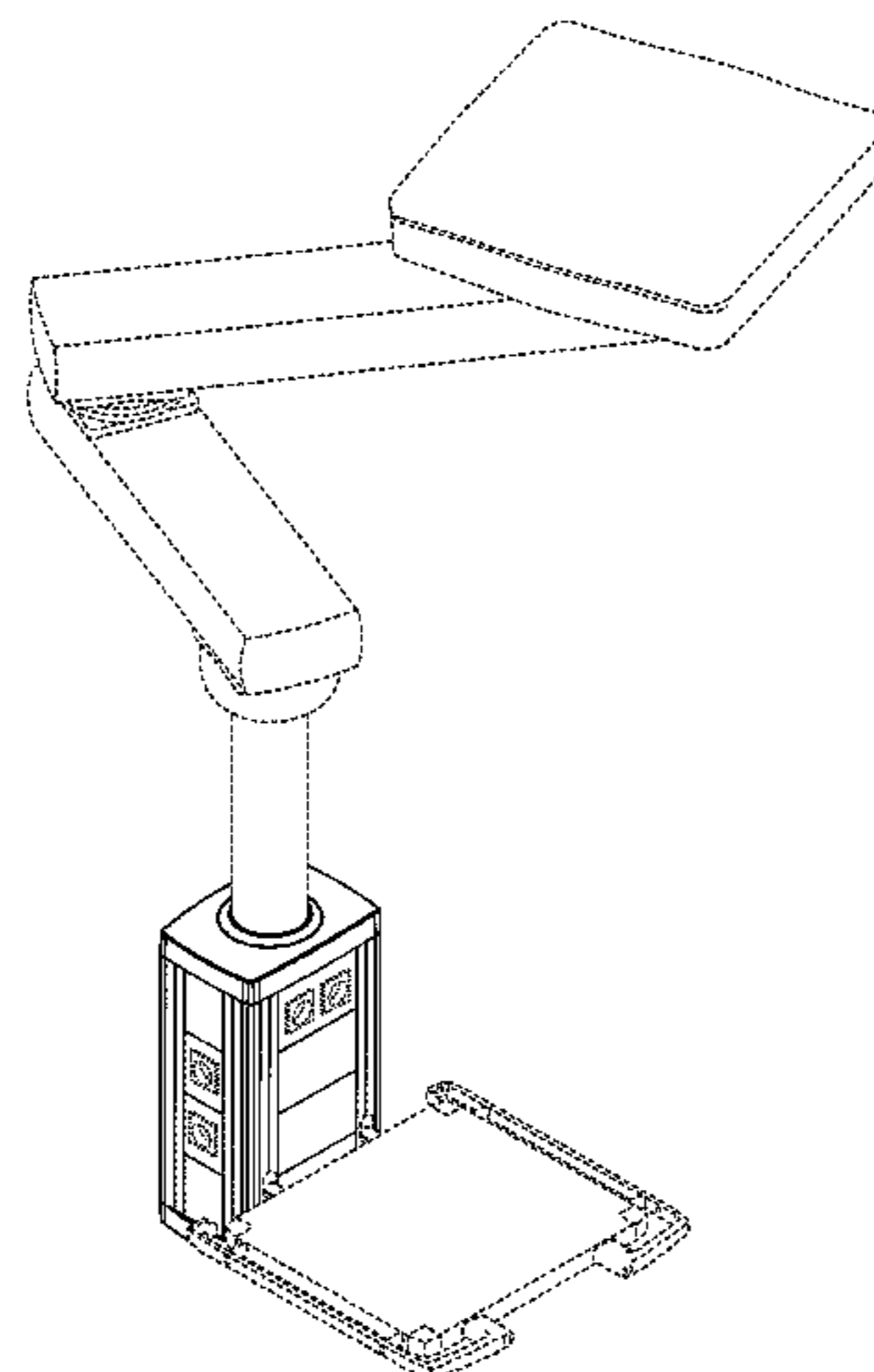
(56) **References Cited**

U.S. PATENT DOCUMENTS

3,373,285 A * 3/1968 Barrett 378/194
D211,689 S * 7/1968 Wayer et al. D24/177
D243,188 S * 1/1977 Meyer D24/177
D246,534 S * 11/1977 Buckley D24/177
D261,804 S * 11/1981 Foster et al. D24/185
5,123,621 A * 6/1992 Gates 248/281.11
D328,791 S * 8/1992 Nordstrom et al. D24/177
D378,416 S * 3/1997 LaPlante et al. D24/177
D390,967 S * 2/1998 Beuster et al. D24/234
D390,968 S * 2/1998 Kummerfeld D24/234
D443,365 S * 6/2001 Walker D24/234
D458,379 S * 6/2002 Brockway et al. D24/177
D528,216 S * 9/2006 Korner D24/232
D603,049 S * 10/2009 Hardy et al. D24/185

FIG. 2 is a front view thereof;
FIG. 3 is a rear view thereof;
FIG. 4 is a right side view thereof;
FIG. 5 is a left side view thereof;
FIG. 6 is a top view thereof;
FIG. 7 is a bottom view thereof;
FIG. 8 is an enlarged perspective view of a second embodiment of a system head of a ceiling mounted support system;
FIG. 9 is a greatly enlarged perspective view of a third embodiment of a system head of a ceiling mounted support system;
FIG. 10 is a perspective view of a fourth embodiment system head of a ceiling mounted support system; and,
FIG. 11 is an enlarged perspective view of a fifth embodiment a system head of a ceiling mounted support system.
The features shown in broken lines are environmental structure and form no part of the claimed design.
The top and bottom views of the second through fifth embodiments of my design are the same as the top and bottom views, respectively, of the first example.

1 Claim, 11 Drawing Sheets



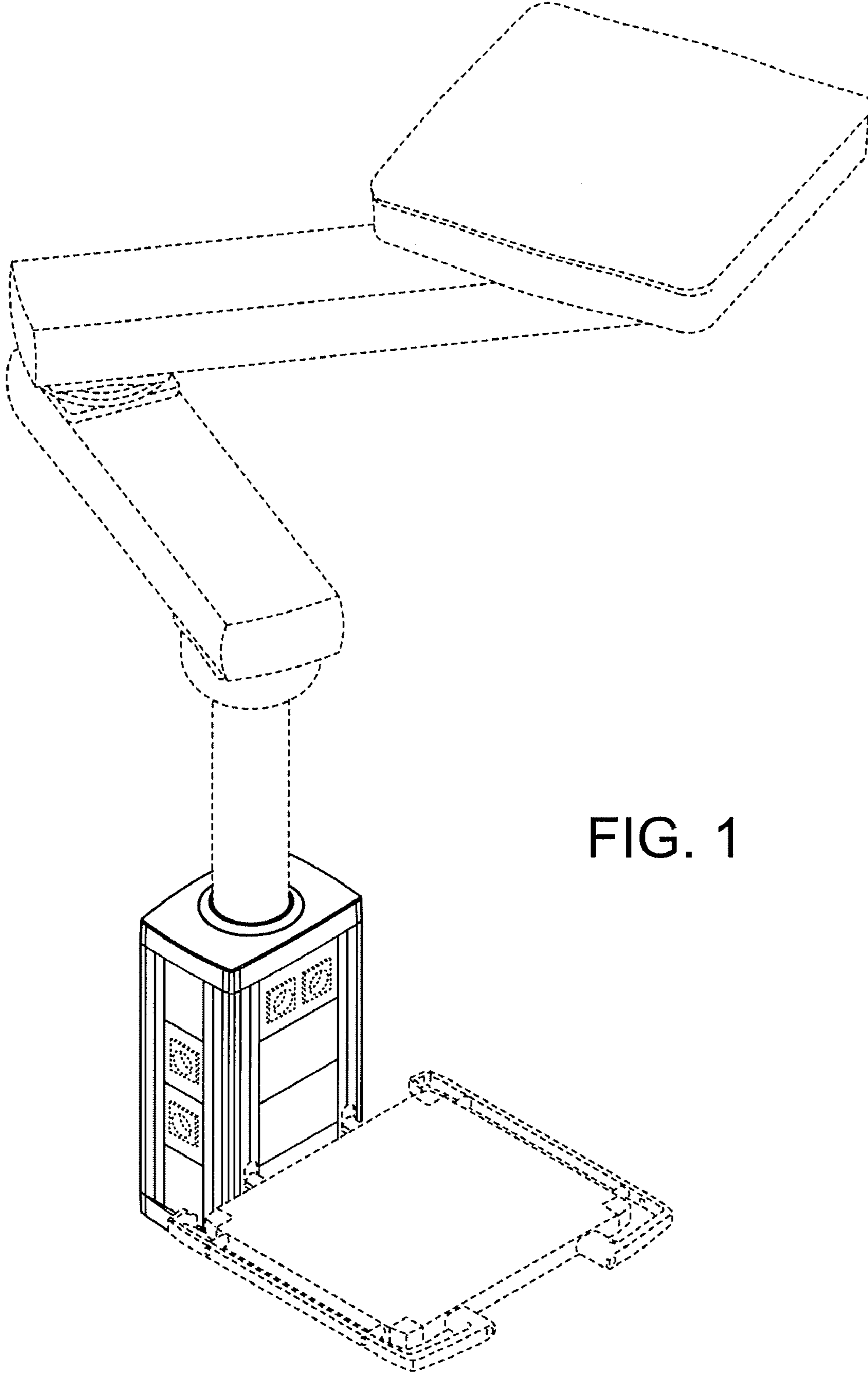


FIG. 1

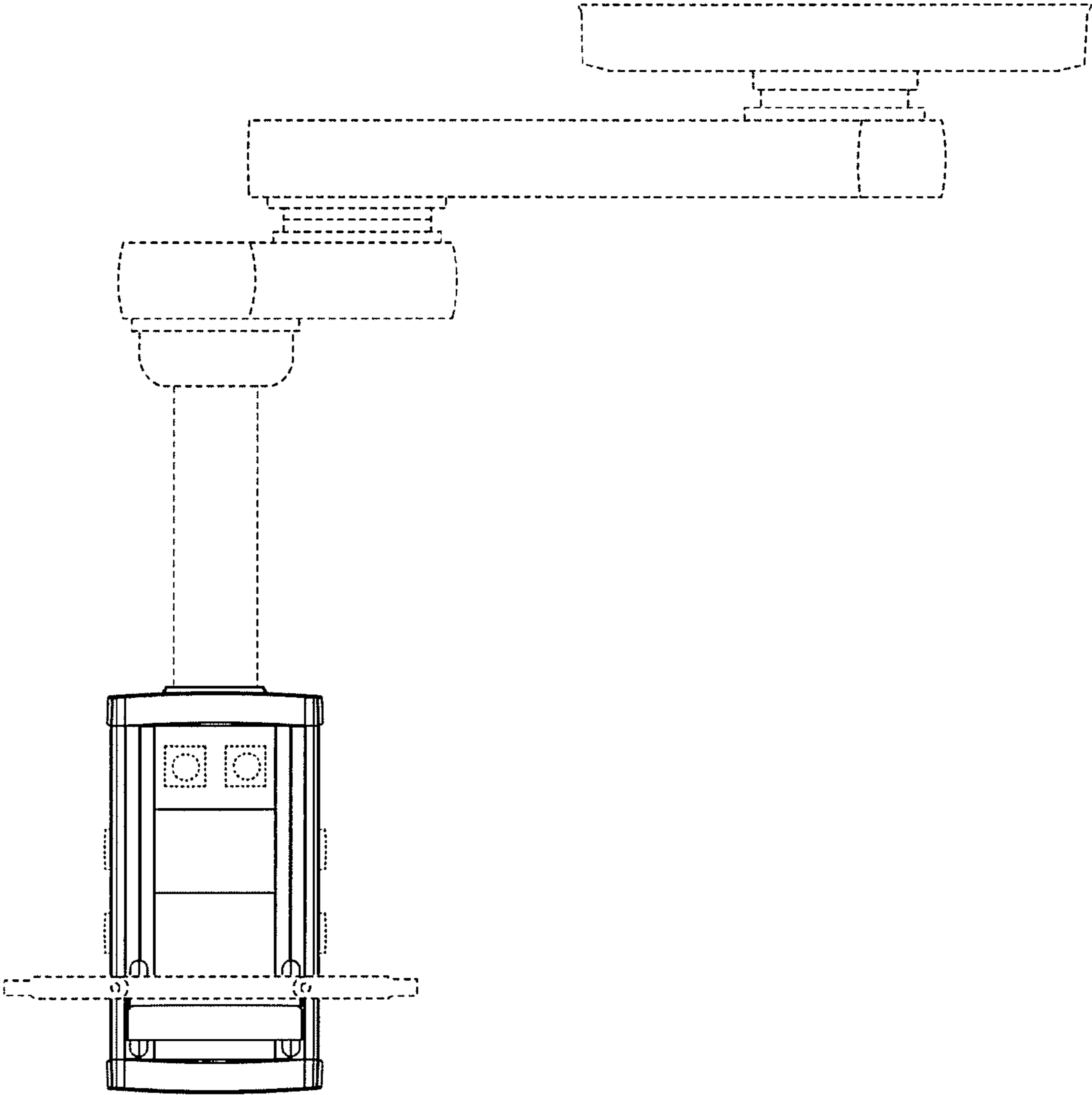


FIG. 2

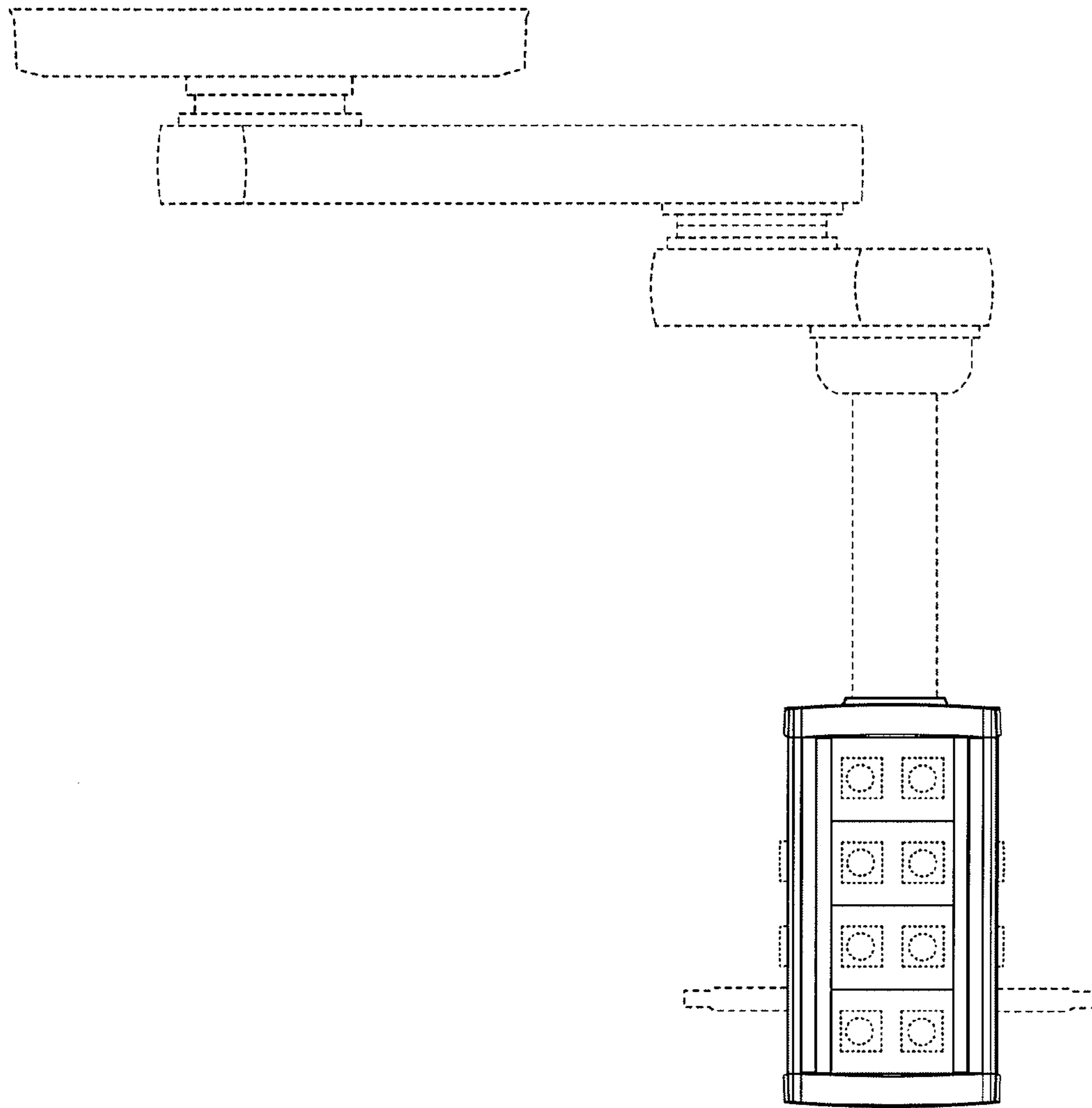


FIG. 3

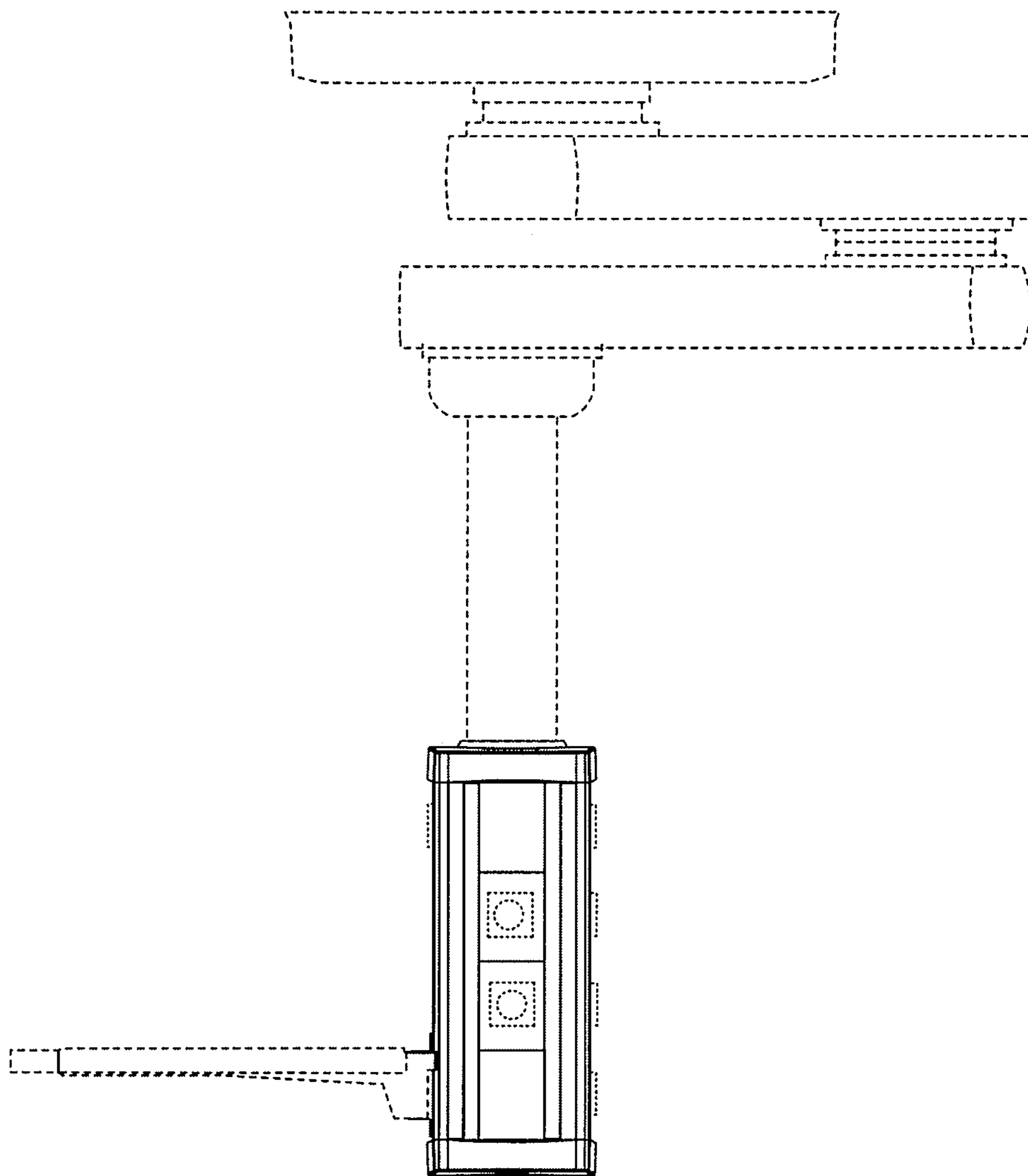


FIG. 4

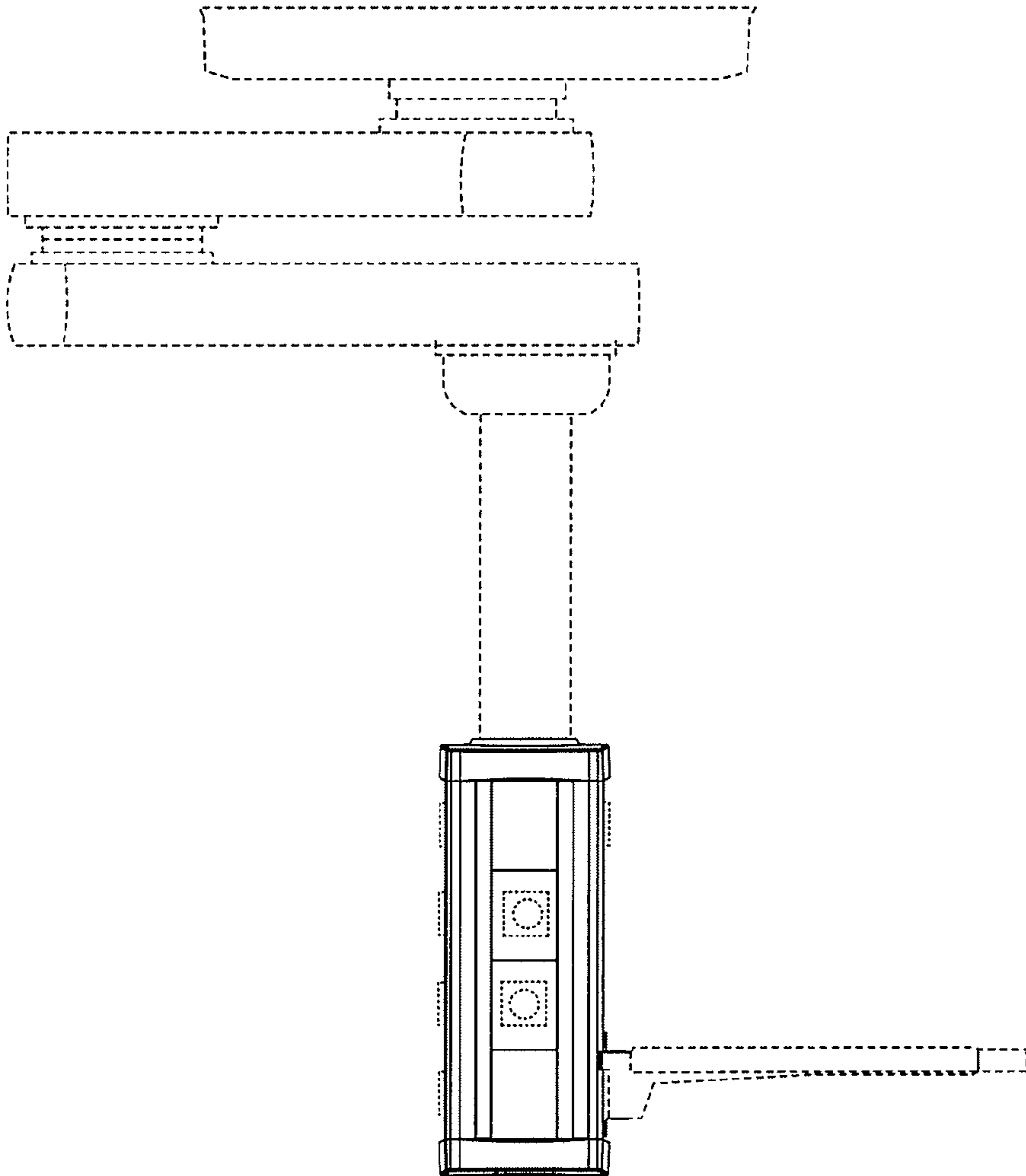


FIG. 5

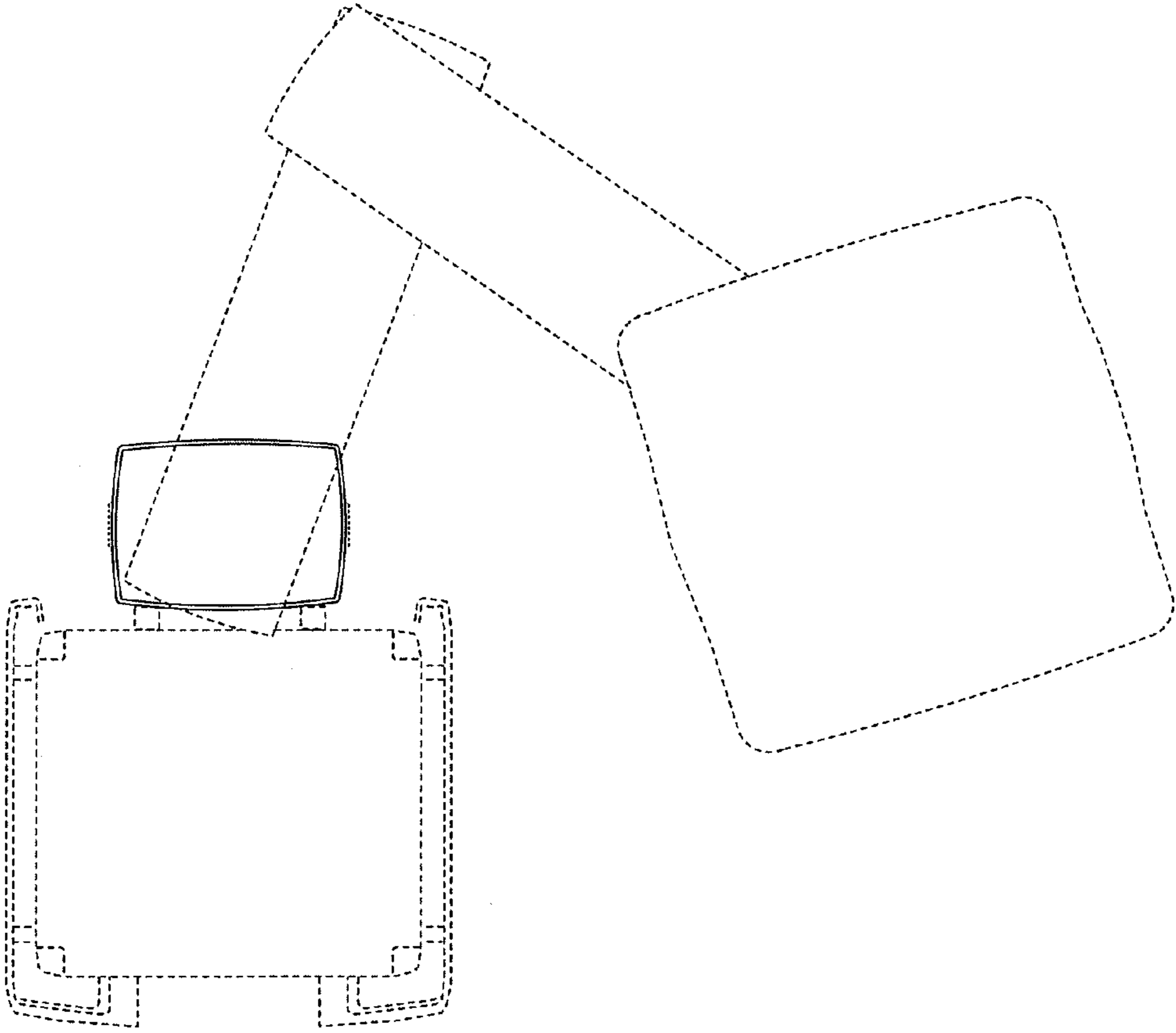


FIG. 6

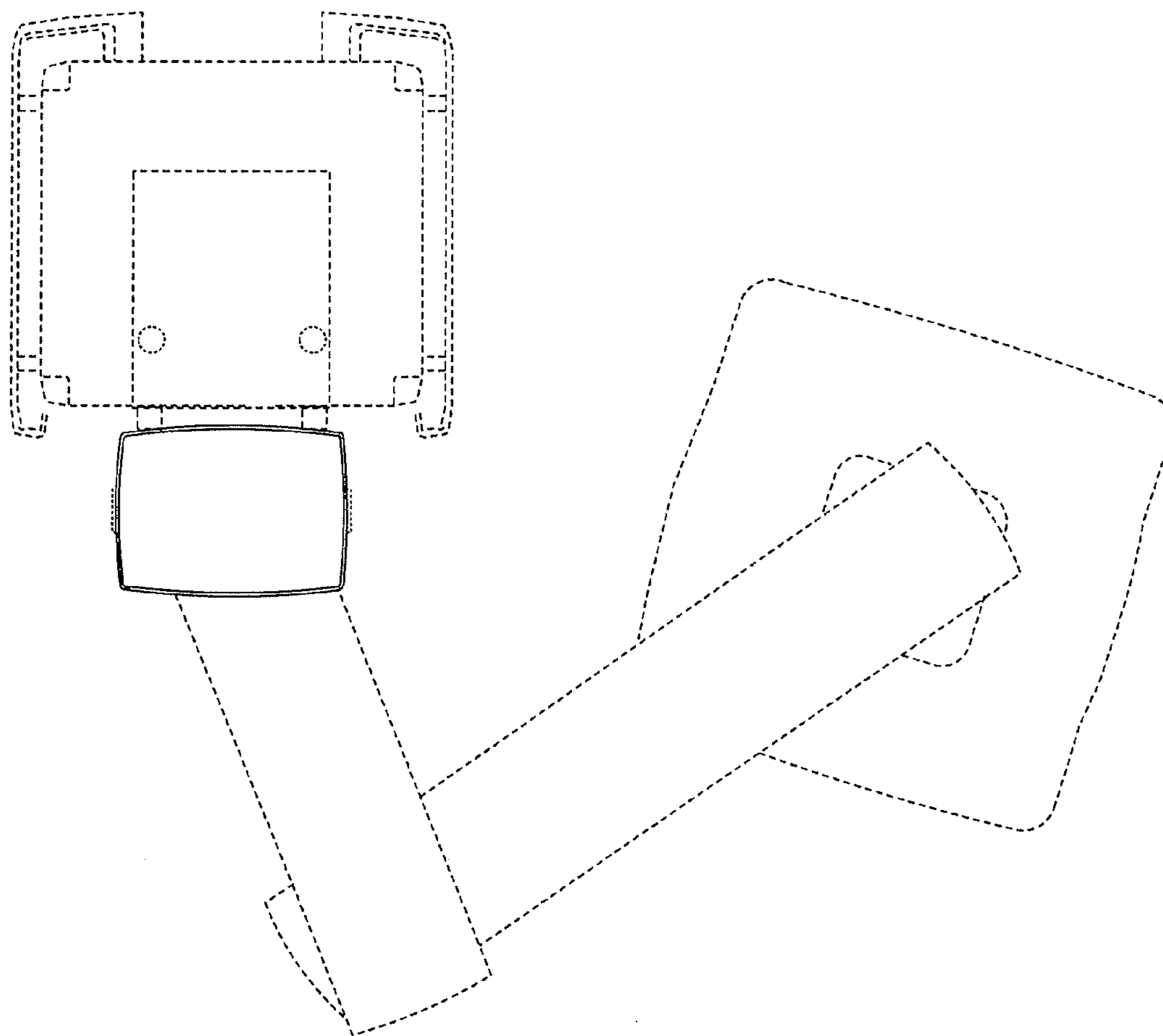


FIG. 7

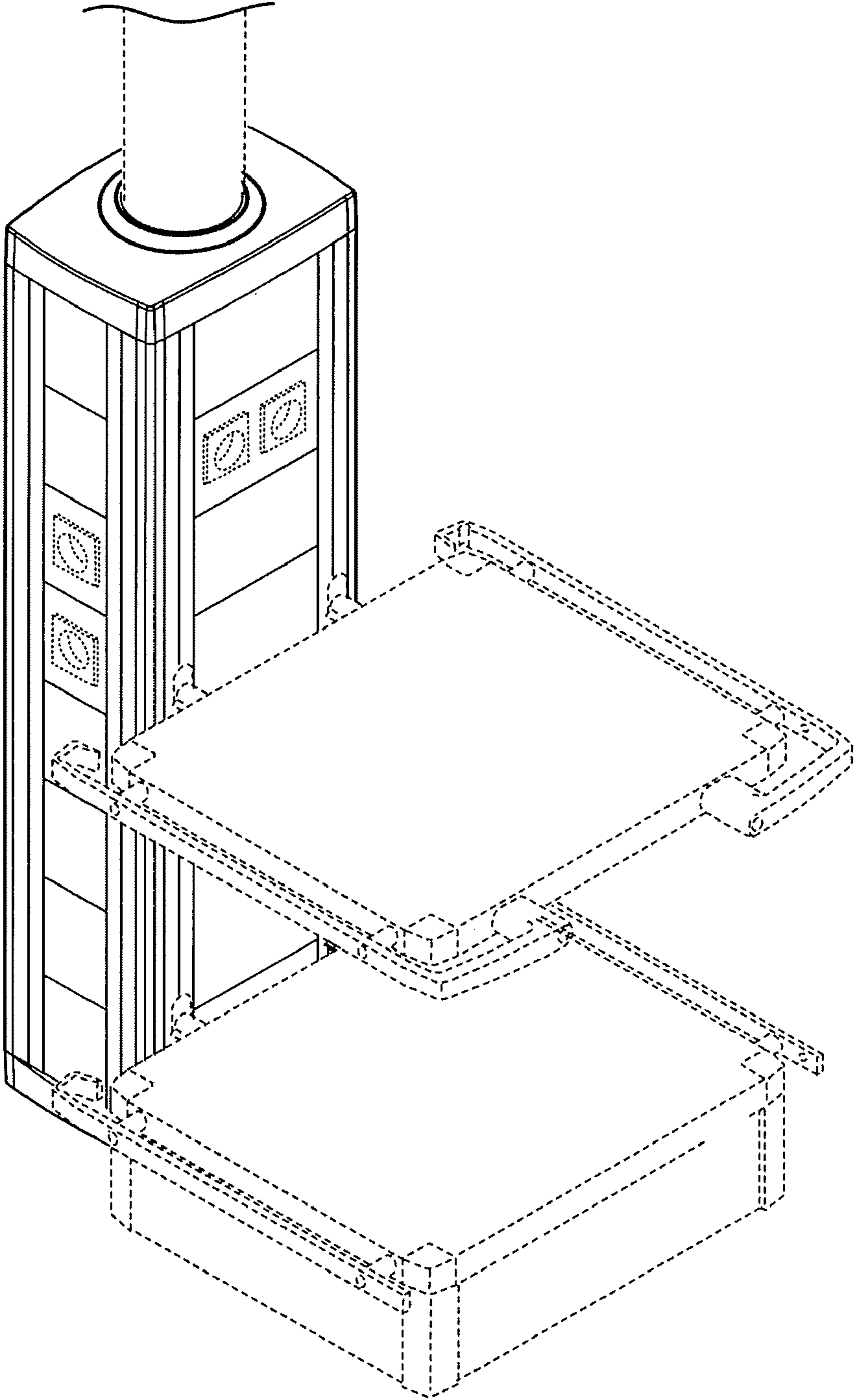


FIG. 8

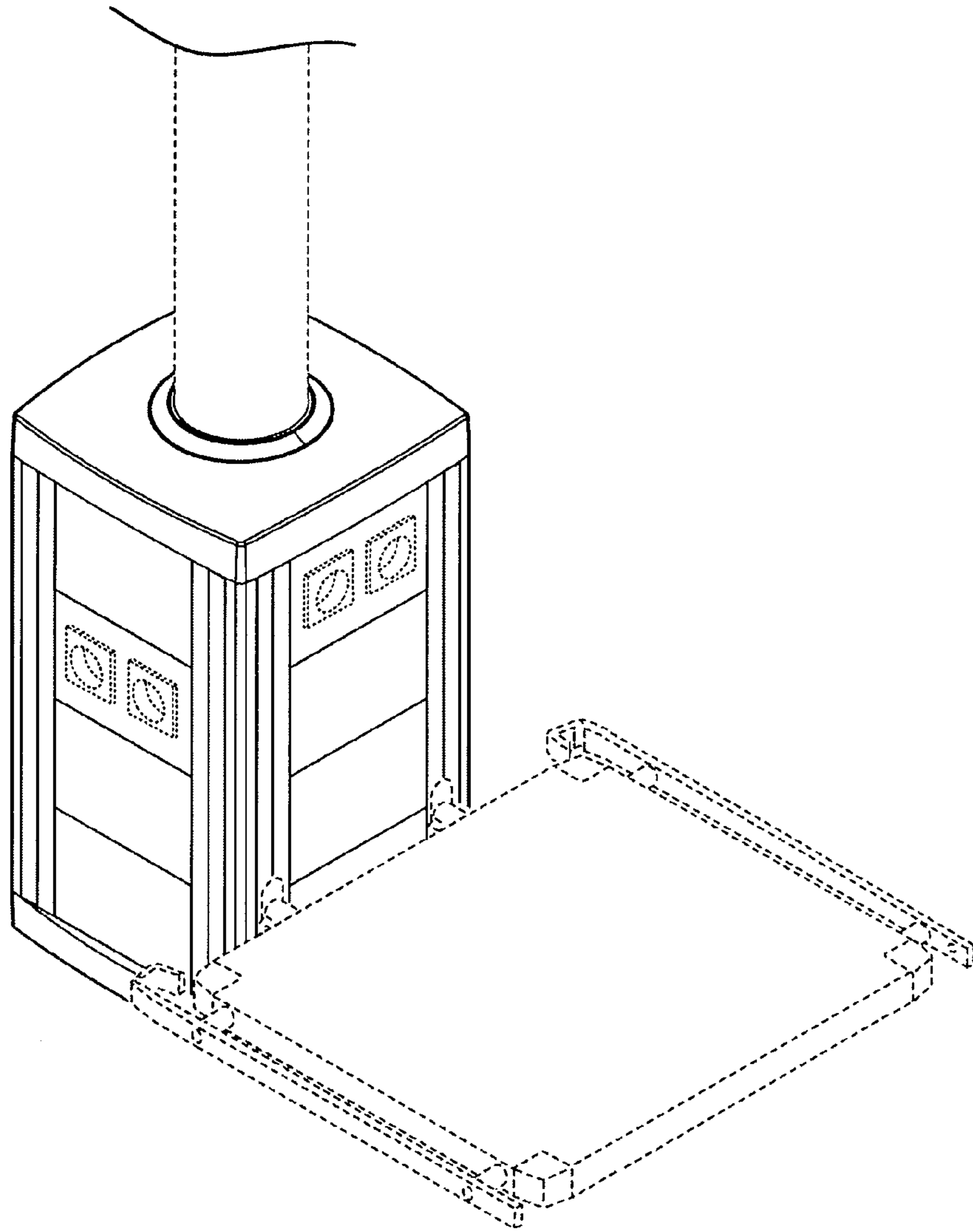


FIG. 9

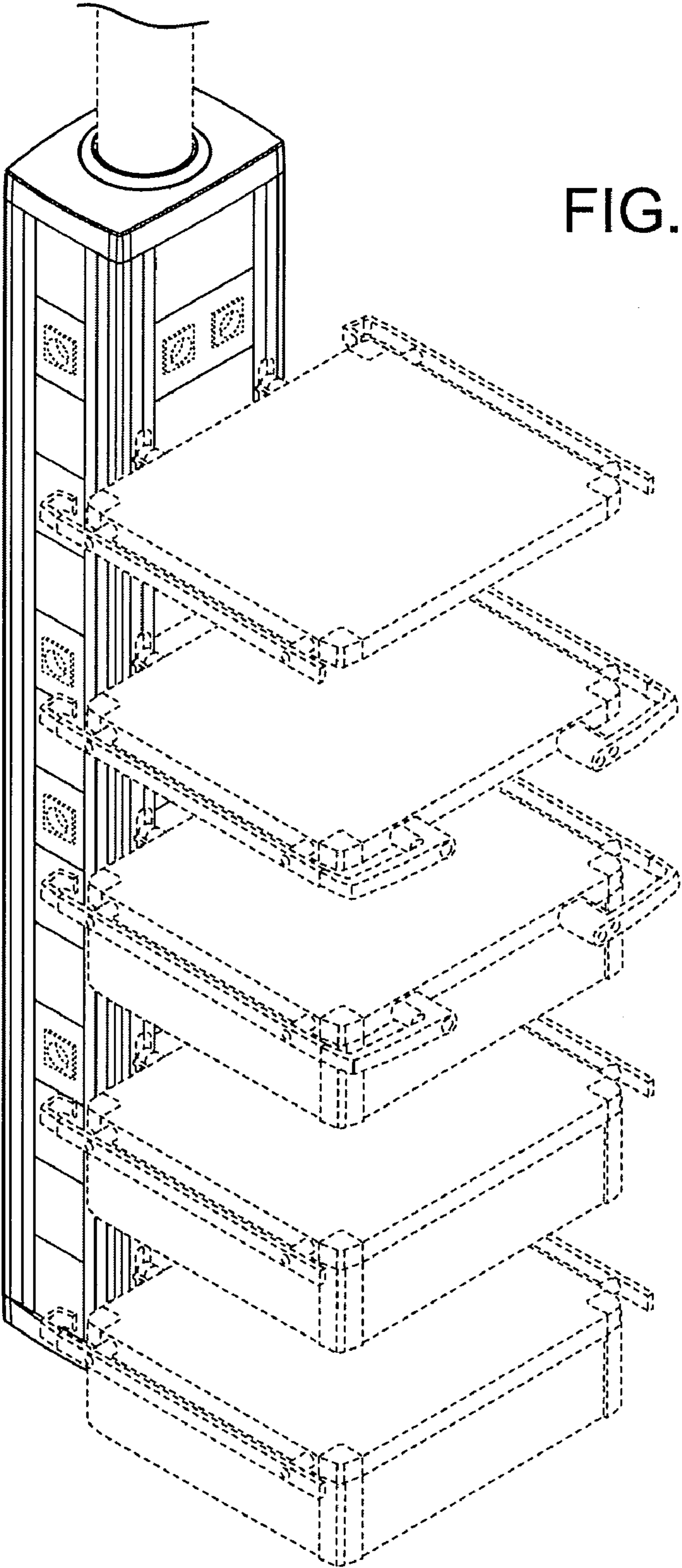


FIG. 10

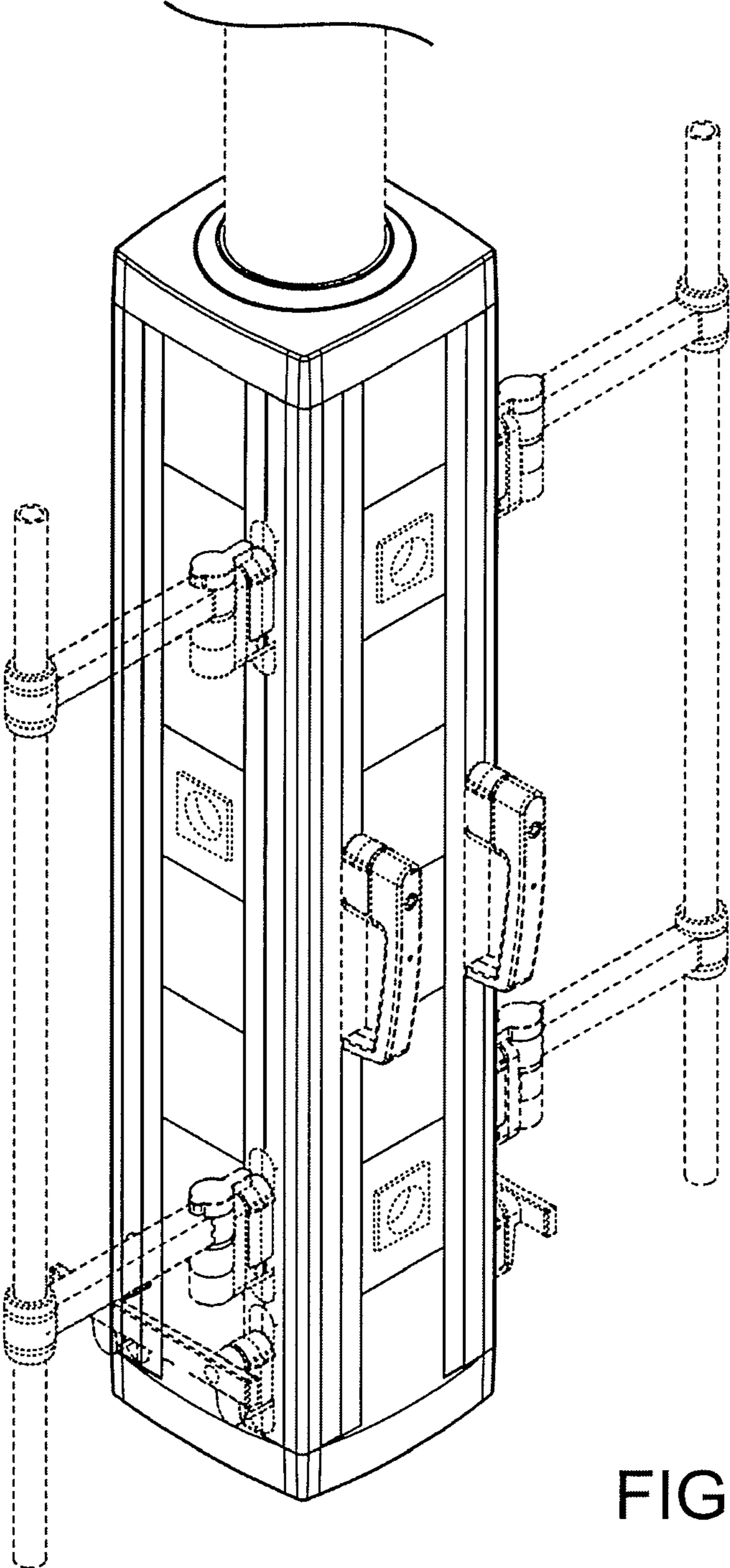


FIG. 11