

US00D631967S

(12) **United States Design Patent**
Horton

(10) **Patent No.:** **US D631,967 S**

(45) **Date of Patent:** **** Feb. 1, 2011**

(54) **SPINAL IMPLANT**

(76) **Inventor:** **Kenneth L. Horton**, 174 Oxmoor Rd.,
Birmingham, AL (US) 35209

(**) **Term:** **14 Years**

(21) **Appl. No.:** **29/358,381**

(22) **Filed:** **Mar. 26, 2010**

Related U.S. Application Data

(62) Division of application No. 29/338,173, filed on Jun. 5,
2009, now Pat. No. Des. 615,653.

(51) **LOC (9) Cl.** **24-03**

(52) **U.S. Cl.** **D24/155**

(58) **Field of Classification Search** D24/155-157;
606/60, 61, 73, 95, 213, 246, 248, 249; 623/23.61,
623/23.56, 247, 213, 11.11, 16.14, 20.23,
623/20.33, 33, 41, 17.11-17.16

See application file for complete search history.

(56) **References Cited**

U.S. PATENT DOCUMENTS

| | | | | |
|-----------|-----|--------|------------------|-----------|
| 4,501,269 | A | 2/1985 | Bagby | |
| 4,581,962 | A | 4/1986 | Marbourg | |
| 5,015,247 | A | 5/1991 | Michelson | |
| 5,306,307 | A | 4/1994 | Senter et al. | |
| 5,484,437 | A | 1/1996 | Michelson | |
| 5,489,307 | A | 2/1996 | Kuslich et al. | |
| 5,593,409 | A | 1/1997 | Michelson | |
| 5,741,253 | A | 4/1998 | Michelson | |
| 5,741,261 | A | 4/1998 | Moskovitz et al. | |
| 5,766,252 | A * | 6/1998 | Henry et al. | 623/17.16 |
| 5,860,973 | A | 1/1999 | Michelson | |
| 5,865,848 | A * | 2/1999 | Baker | 623/17.15 |
| 5,888,228 | A * | 3/1999 | Knothe et al. | 623/17.16 |
| 5,954,635 | A | 9/1999 | Foley et al. | |

| | | | |
|-----------|----|--------|----------------|
| 6,042,582 | A | 3/2000 | Ray |
| 6,080,155 | A | 6/2000 | Michelson |
| 6,210,412 | B1 | 4/2001 | Michelson |
| 6,371,988 | B1 | 4/2002 | Pafford et al. |

(Continued)

FOREIGN PATENT DOCUMENTS

| | | | |
|----|-------------|----|---------|
| WO | 2000/022998 | A1 | 4/2000 |
| WO | 2007/120903 | A2 | 10/2007 |

OTHER PUBLICATIONS

Mathews, "Percutaneous Interbody Fusions", Orthopedic Clinics of
North America, Oct. 1, 1998, pp. 647-653, vol. 29, Issue 4, published
by Elsevier, Inc.

(Continued)

Primary Examiner—Charles A Rademaker
(74) *Attorney, Agent, or Firm*—Kenneth M. Bush; Gerald M.
Walsh; Bush Intellectual Property Law

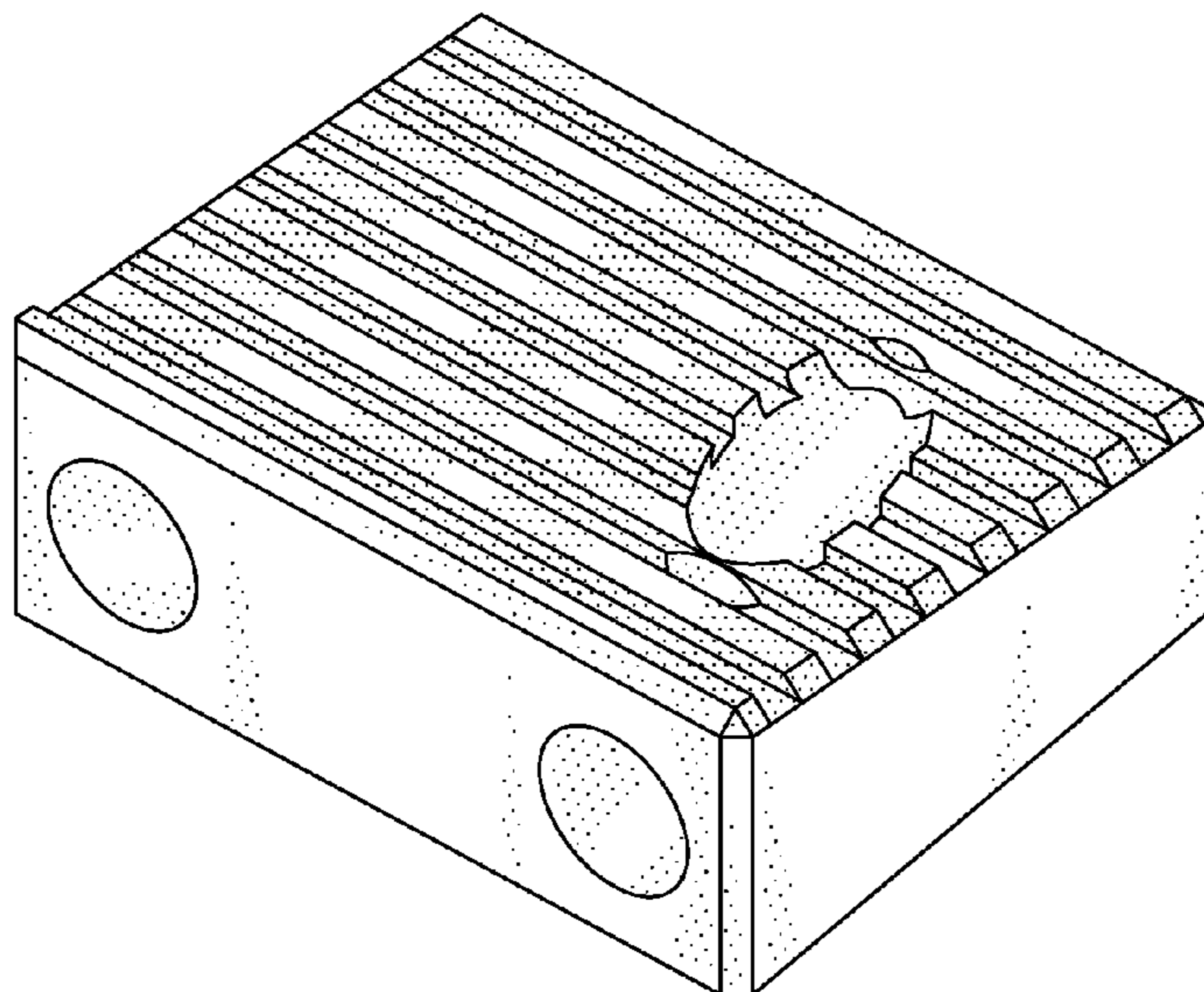
(57) **CLAIM**

I claim the ornamental design for a spinal implant, as shown
and described.

DESCRIPTION

FIG. 1 is a top front right perspective view of a spinal implant
showing my new design;
FIG. 2 is a top front left perspective view thereof;
FIG. 3 is a front elevation view thereof;
FIG. 4 is a rear elevation view thereof;
FIG. 5 is a top plan view thereof, the bottom plan view being
identical to the top plan view;
FIG. 6 is a left side elevation view thereof; and,
FIG. 7 is a right side elevation view thereof.

1 Claim, 3 Drawing Sheets



US D631,967 S

Page 2

U.S. PATENT DOCUMENTS

| | | | | | | |
|--------------|------|---------|----------------------|-----------|--|--|
| 6,485,518 | B1 | 11/2002 | Cornwall et al. | | | |
| 6,491,724 | B1 * | 12/2002 | Ferree | 623/17.11 | | |
| 6,520,907 | B1 | 2/2003 | Foley et al. | | | |
| D472,632 | S * | 4/2003 | Anderson | D24/155 | | |
| D472,634 | S * | 4/2003 | Anderson | D24/155 | | |
| 6,540,747 | B1 | 4/2003 | Marino | | | |
| 6,562,046 | B2 | 5/2003 | Sasso | | | |
| 6,579,319 | B2 | 6/2003 | Goble et al. | | | |
| 6,743,255 | B2 * | 6/2004 | Ferree | 623/17.11 | | |
| 6,773,460 | B2 * | 8/2004 | Jackson | 623/17.15 | | |
| 6,902,578 | B1 | 6/2005 | Anderson et al. | | | |
| 6,923,810 | B1 | 8/2005 | Michelson | | | |
| 6,923,811 | B1 | 8/2005 | Carl et al. | | | |
| 6,942,698 | B1 | 9/2005 | Jackson | | | |
| D524,443 | S * | 7/2006 | Blain | D24/155 | | |
| D541,940 | S * | 5/2007 | Blain | D24/155 | | |
| 7,223,269 | B2 | 5/2007 | Chappuis | | | |
| D553,742 | S * | 10/2007 | Park | D24/155 | | |
| D566,276 | S * | 4/2008 | Blain | D24/155 | | |
| D574,495 | S | 8/2008 | Petersen | | | |
| D574,957 | S | 8/2008 | Petersen | | | |
| D580,552 | S * | 11/2008 | Cohen et al. | D24/155 | | |
| D581,538 | S | 11/2008 | Horton | | | |
| 7,452,369 | B2 | 11/2008 | Barry | | | |
| D600,806 | S | 9/2009 | Horton et al. | | | |
| D601,251 | S | 9/2009 | Horton et al. | | | |
| 7,611,536 | B2 * | 11/2009 | Michelson | 623/17.11 | | |
| 7,611,538 | B2 * | 11/2009 | Belliard et al. | 623/17.15 | | |
| 7,621,960 | B2 * | 11/2009 | Boyd et al. | 623/17.16 | | |
| D605,289 | S | 12/2009 | Horton | | | |
| 7,655,043 | B2 * | 2/2010 | Peterman et al. | 623/17.11 | | |
| D611,147 | S * | 3/2010 | Hanson et al. | D24/155 | | |
| 2004/0087948 | A1 | 5/2004 | Suddaby | | | |
| 2004/0143268 | A1 | 7/2004 | Falahee | | | |
| 2004/0215344 | A1 | 10/2004 | Hochschuler et al. | | | |
| 2005/0015150 | A1 | 1/2005 | Lee | | | |
| 2005/0065516 | A1 | 3/2005 | Jahng | | | |
| 2005/0149030 | A1 | 7/2005 | Serhan et al. | | | |
| 2006/0036264 | A1 | 2/2006 | Selover et al. | | | |
| 2006/0064099 | A1 | 3/2006 | Pavlov et al. | | | |
| 2006/0111779 | A1 | 5/2006 | Petersen | | | |
| 2006/0111782 | A1 | 5/2006 | Petersen | | | |
| 2007/0250166 | A1 | 10/2007 | McKay | | | |
| 2008/0255667 | A1 | 10/2008 | Horton | | | |
| 2009/0131986 | A1 | 5/2009 | Lee et al. | | | |

OTHER PUBLICATIONS

Polly, Jr. et al., "Surgical Treatment for the Painful Motion Segment", *Spine*, 2005, pp. S44-S51, vol. 30, No. 16S, published by Lippincott Williams & Wilkins, Inc.

Powers, et al., "Minimally Invasive Fusion and Fixation Techniques", *Neurosurgery Clinics of North America*, Oct. 2006, pp. 447-489, vol. 17, Issue 4, published by Elsevier, Inc.

Seldomridge, et al., "Minimally Invasive Spine Surgery", *The American Journal of Orthopedics*, May 2005, pp. 224-232.

Stein, et al., "Percutaneous Facet Joint Fusion: Preliminary Experience", *Journal of Vascular and Interventional Radiology*, Jan.-Feb. 1993, pp. 69-74, vol. 4, No. 1.

* cited by examiner

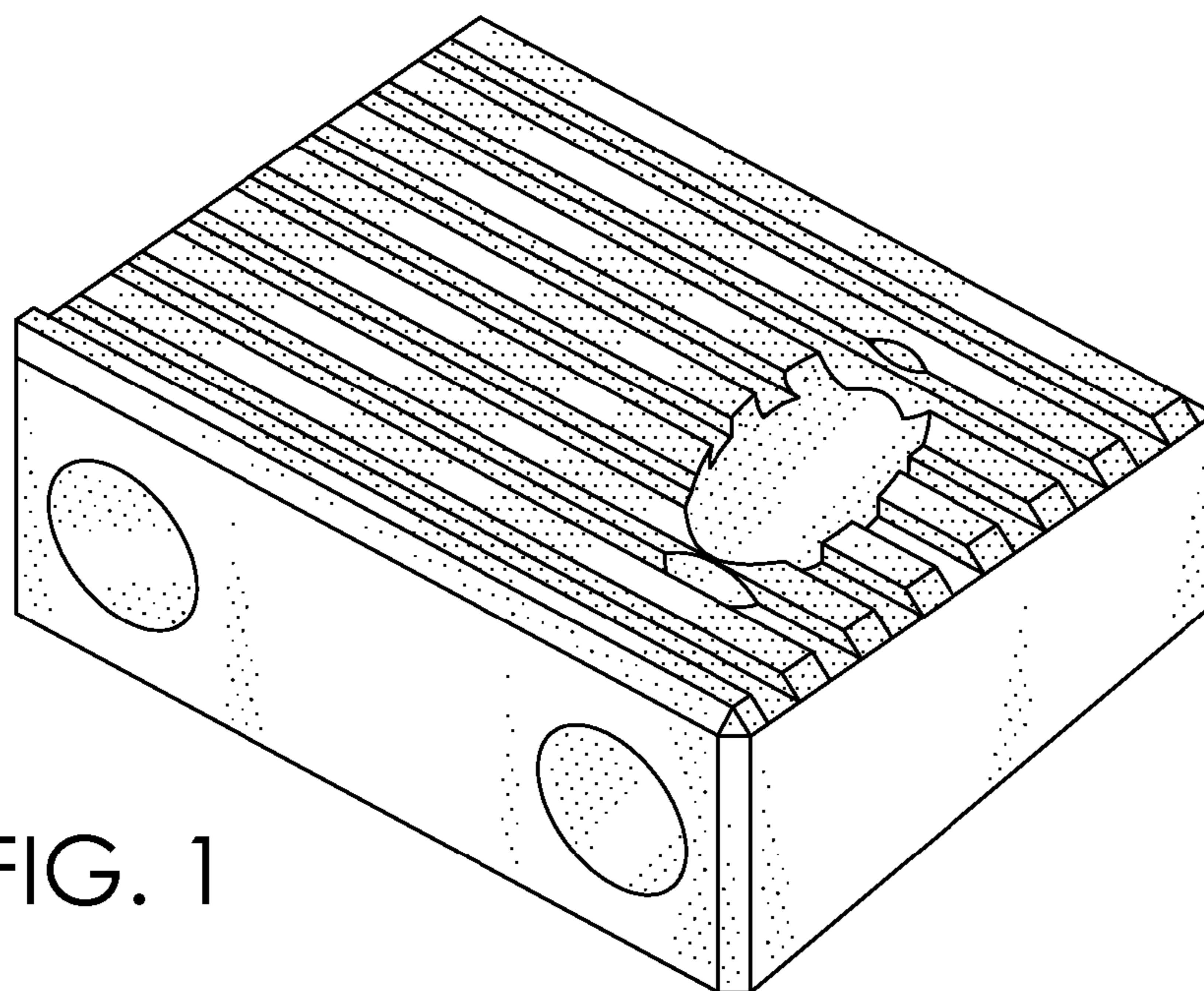


FIG. 1

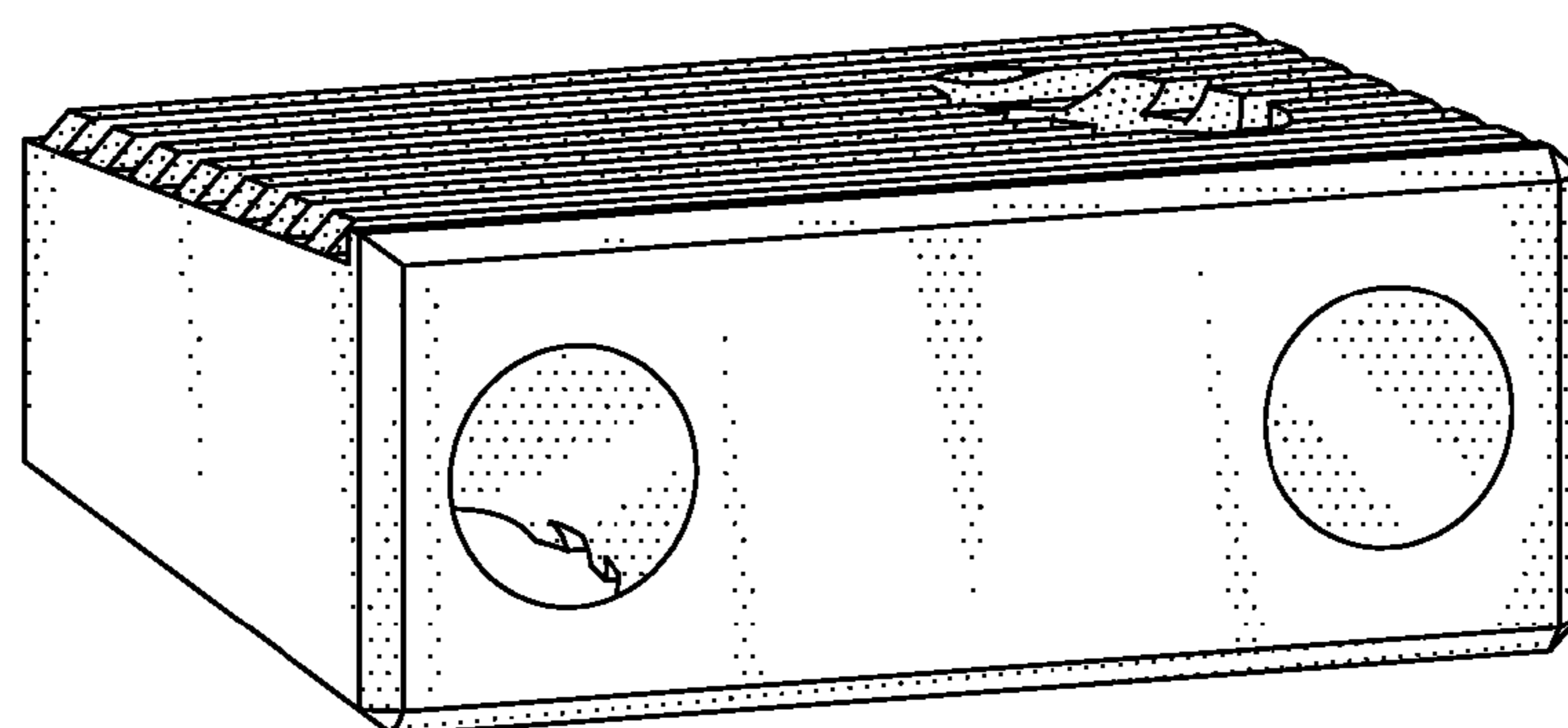


FIG. 2

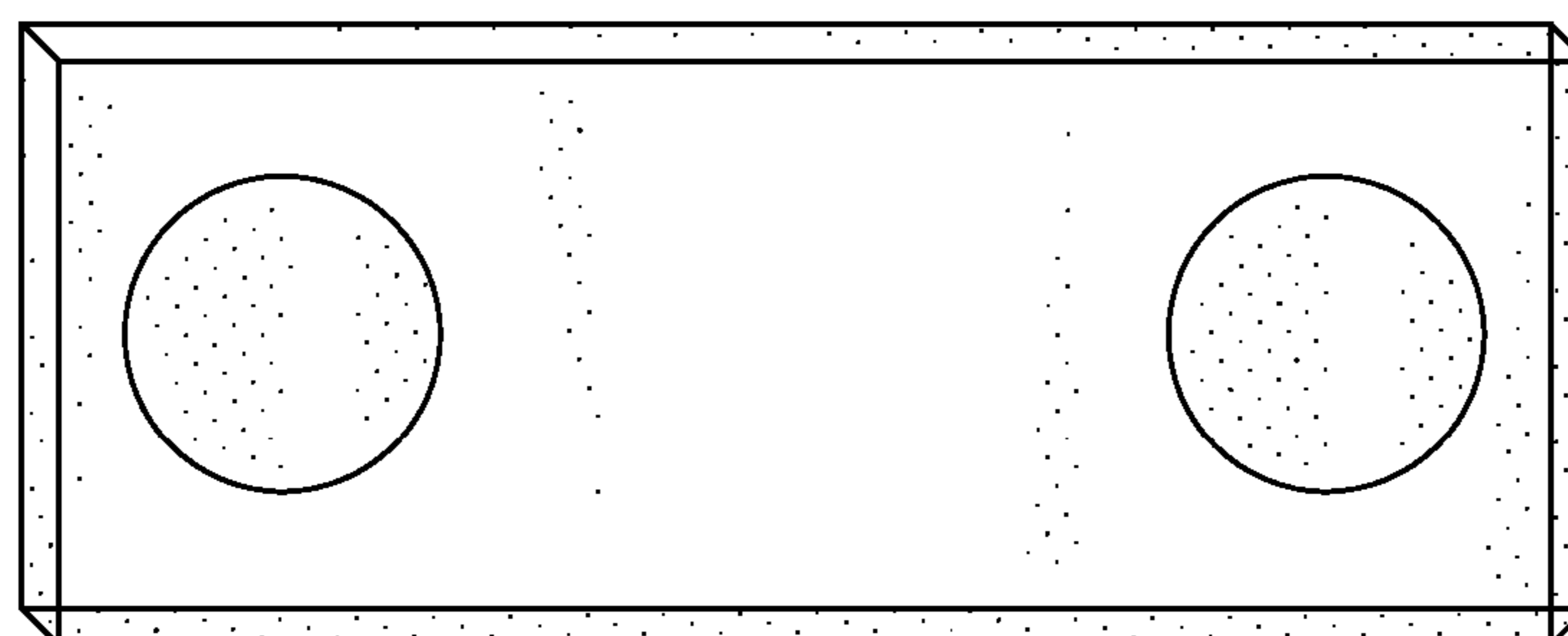


FIG. 3

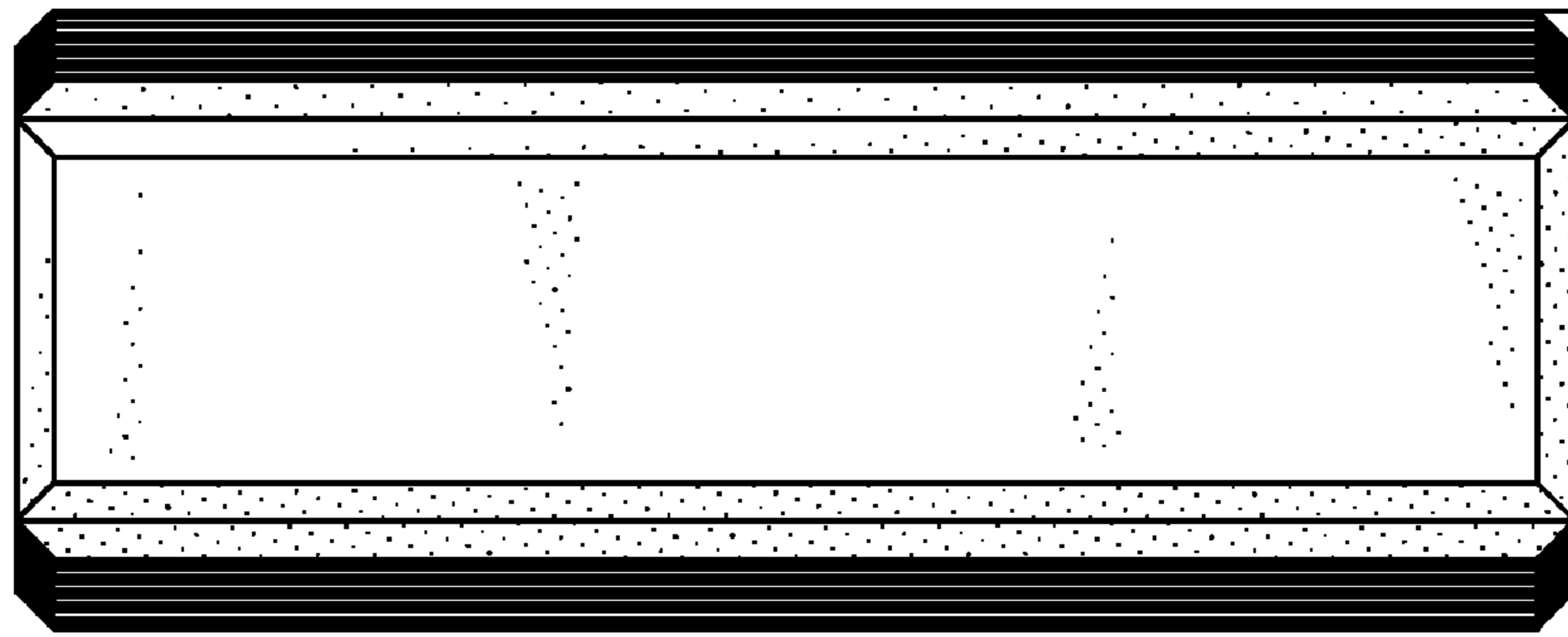


FIG. 4

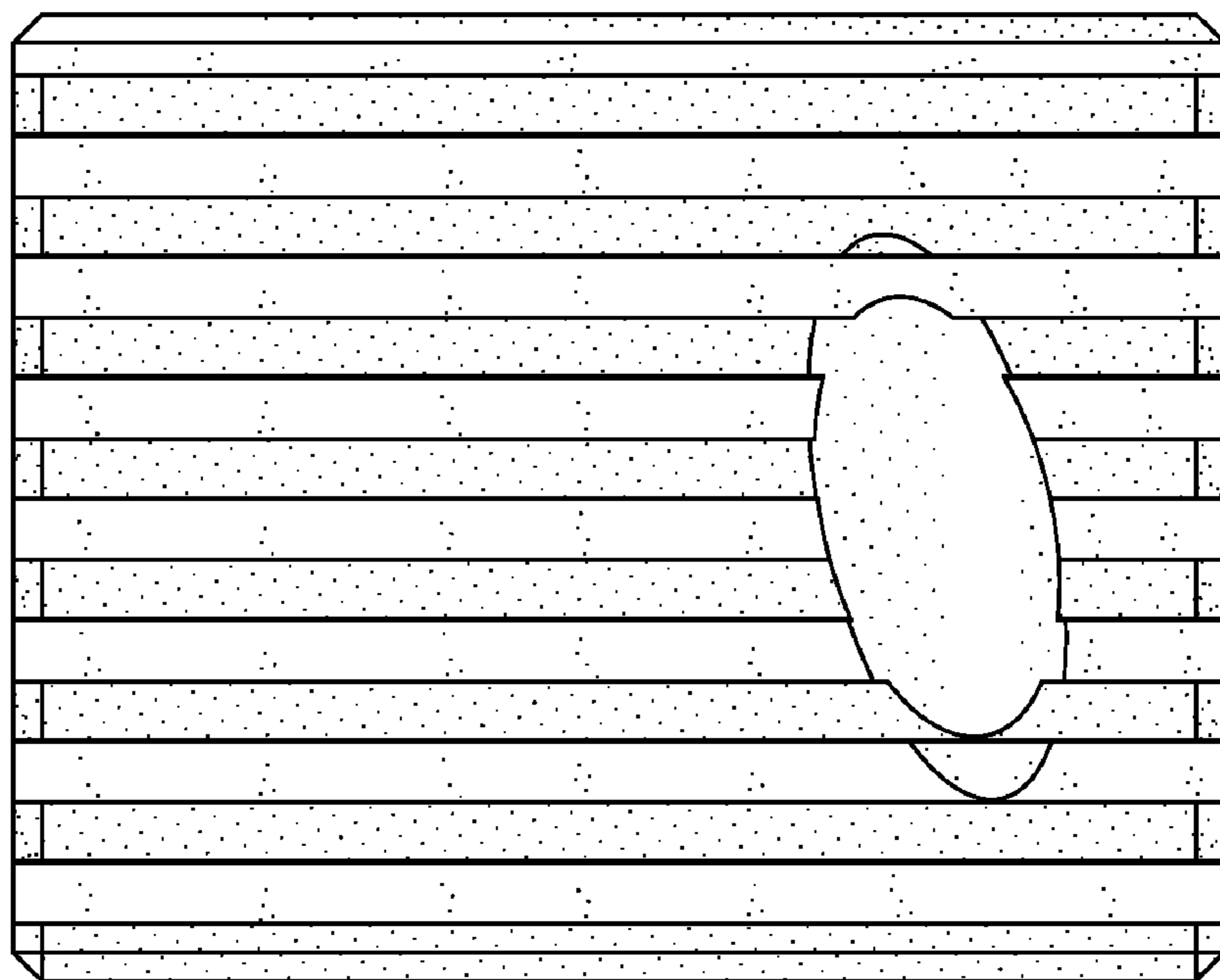


FIG. 5

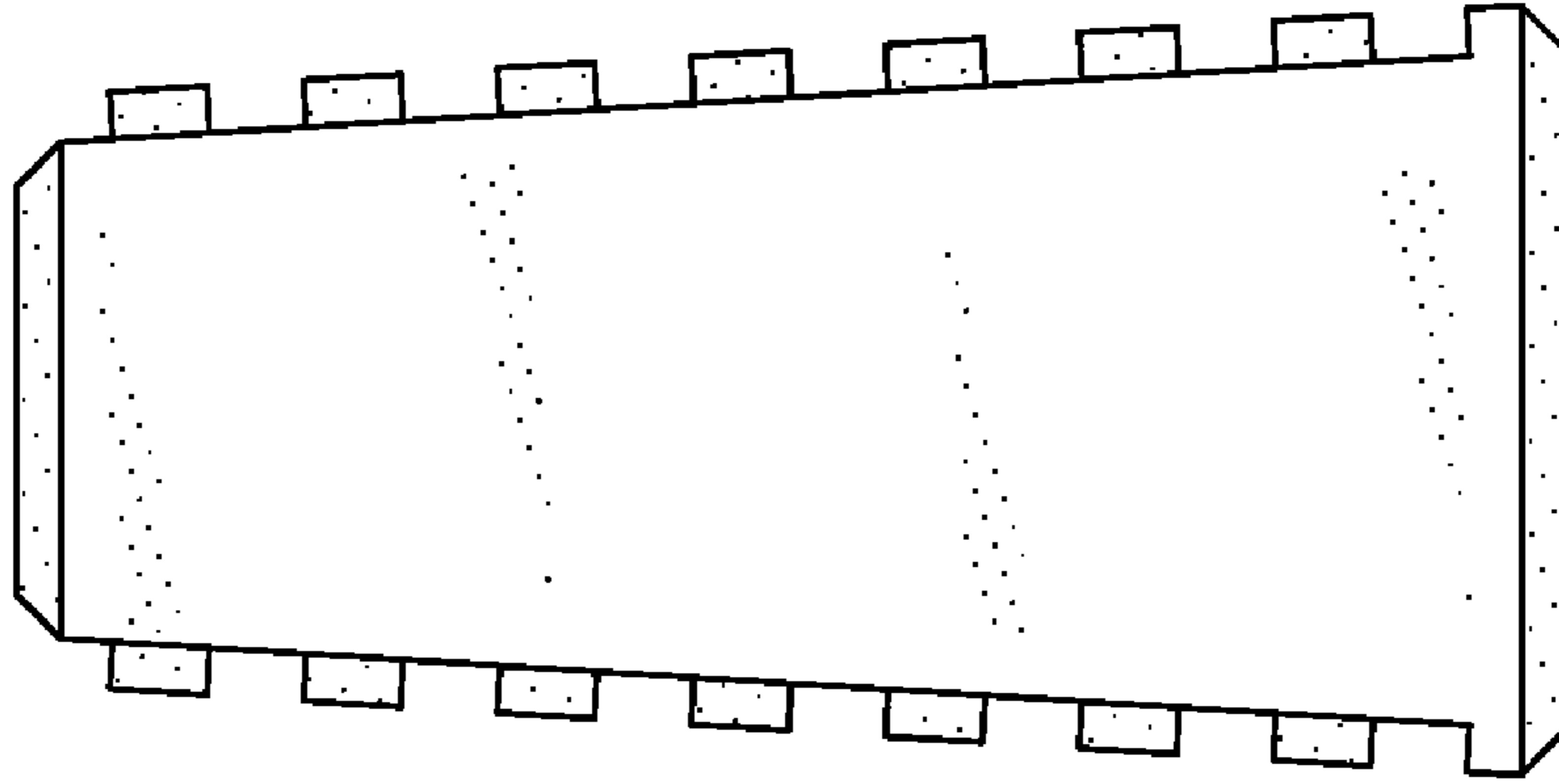


FIG. 6

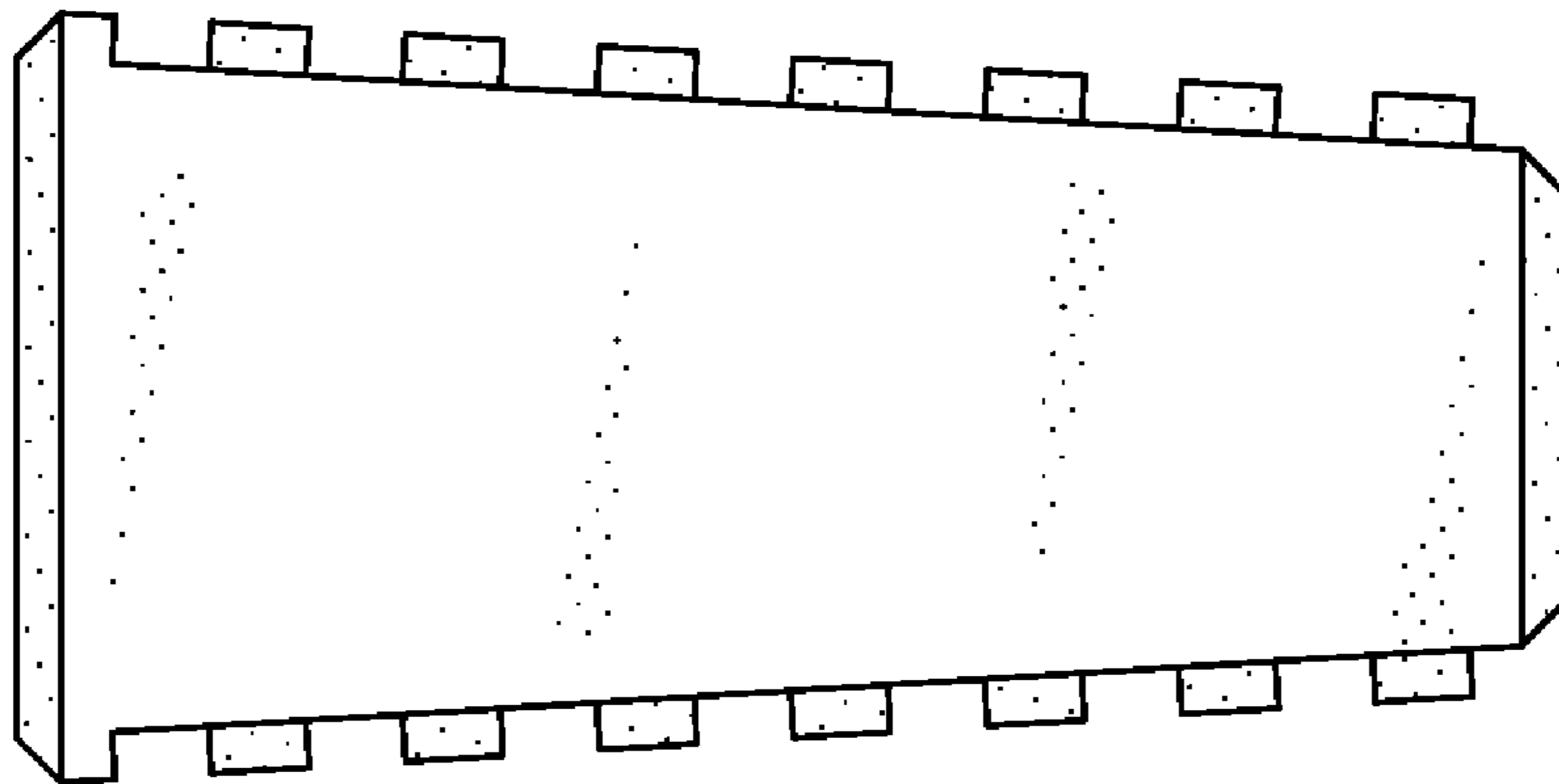


FIG. 7