



US00D631964S

(12) **United States Design Patent**
Miles et al.

(10) **Patent No.:** **US D631,964 S**
(45) **Date of Patent:** **** Feb. 1, 2011**

(54) **MEDICAL EQUIPMENT**

(75) Inventors: **Des Miles**, Hampshire (GB); **Adam McQuilkin**, Hampshire (GB); **Roy Smith**, Hampshire (GB); **Bruce Slaymaker**, Hampshire (GB); **John Briant**, Hampshire (GB); **Robert Curtis**, Derbyshire (GB); **Iain McDerment**, Hertfordshire (GB); **Adrian Streeter**, Peterborough (GB); **Nick Harrison**, Cambridge (GB); **Warren Isaacs**, Cambridgeshire (GB)

(73) Assignee: **Femcare-Nikomed Ltd.** (GB)

(**) Term: **14 Years**

(21) Appl. No.: **29/334,765**

(22) Filed: **Apr. 1, 2009**

(30) **Foreign Application Priority Data**

Oct. 3, 2008 (EM) 001016745-0001

(51) **LOC (9) Cl.** **24-02**

(52) **U.S. Cl.** **D24/145; D24/133**

(58) **Field of Classification Search** D24/145, D24/133, 144, 146, 148, 143, 147; 227/901, 227/902, 175.1, 176.1, 177.7, 178.1, 179.1, 227/180.1, 181.1, 182.1; 606/42, 48, 51, 606/206, 207, 139, 142, 144, 146, 143, 145, 606/140, 147, 148, 155, 205, 219, 215
See application file for complete search history.

(56) **References Cited**

U.S. PATENT DOCUMENTS

3,584,628 A * 6/1971 Green 606/143
D271,332 S * 11/1983 Green et al. D24/145
D284,219 S * 6/1986 Green et al. D24/145
5,171,247 A * 12/1992 Hughett et al. 606/142
D332,660 S * 1/1993 Rawson et al. D24/145
5,192,288 A * 3/1993 Thompson et al. 227/901
D347,474 S * 5/1994 Olson D24/145
D354,564 S * 1/1995 Medema D24/145
5,431,669 A * 7/1995 Thompson et al. 606/143
5,560,532 A * 10/1996 DeFonzo et al. 227/175.1
5,700,271 A * 12/1997 Whitfield et al. 227/901

5,772,673 A * 6/1998 Cuny et al. 227/901
5,810,846 A * 9/1998 Virnich et al. 227/901
5,851,214 A * 12/1998 Larsen et al. 606/205
5,868,761 A * 2/1999 Nicholas et al. 606/143
5,904,693 A * 5/1999 Dicesare et al. 227/901
6,077,290 A * 6/2000 Marini 606/205
D496,997 S * 10/2004 Dycus et al. D24/144
D531,311 S * 10/2006 Guerra et al. D24/146
D541,418 S * 4/2007 Schechter et al. D24/148
7,585,304 B2 * 9/2009 Hughett 606/142
2004/0260314 A1 * 12/2004 Lizardi et al. 606/144
2007/0093856 A1 * 4/2007 Whitfield et al. 606/142
2008/0228202 A1 * 9/2008 Cropper et al. 606/142
2008/0319456 A1 * 12/2008 Hart 606/142
2009/0008424 A1 * 1/2009 Green 227/175.2

* cited by examiner

Primary Examiner—Ian Simmons

Assistant Examiner—Wan Laymon

(74) *Attorney, Agent, or Firm*—Salter & Michaelson

(57) **CLAIM**

The ornamental design for medical equipment, as shown and described.

DESCRIPTION

FIG. 1 is a perspective view of medical equipment showing our new design;

FIG. 2 is a top plan view thereof;

FIG. 3 is a bottom plan view thereof;

FIG. 4 is a front elevational view thereof;

FIG. 5 is a rear elevational view thereof;

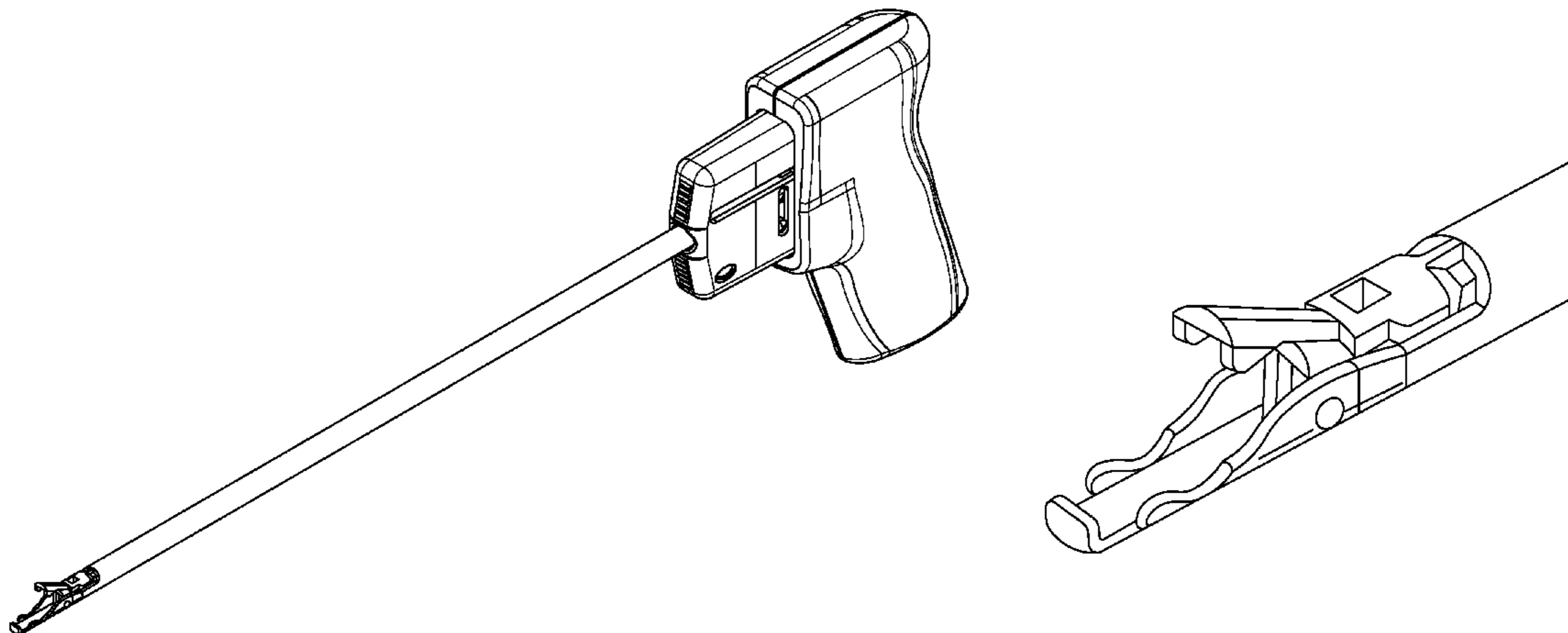
FIG. 6 is a right side elevational view thereof;

FIG. 7 is a left side elevational view thereof; and,

FIG. 8 is an enlarged perspective view at the distal end of the medical equipment showing our new design.

The broken lines showing portions of the medical equipment are included for illustrating environmental structure and form no part of the claimed design.

1 Claim, 5 Drawing Sheets



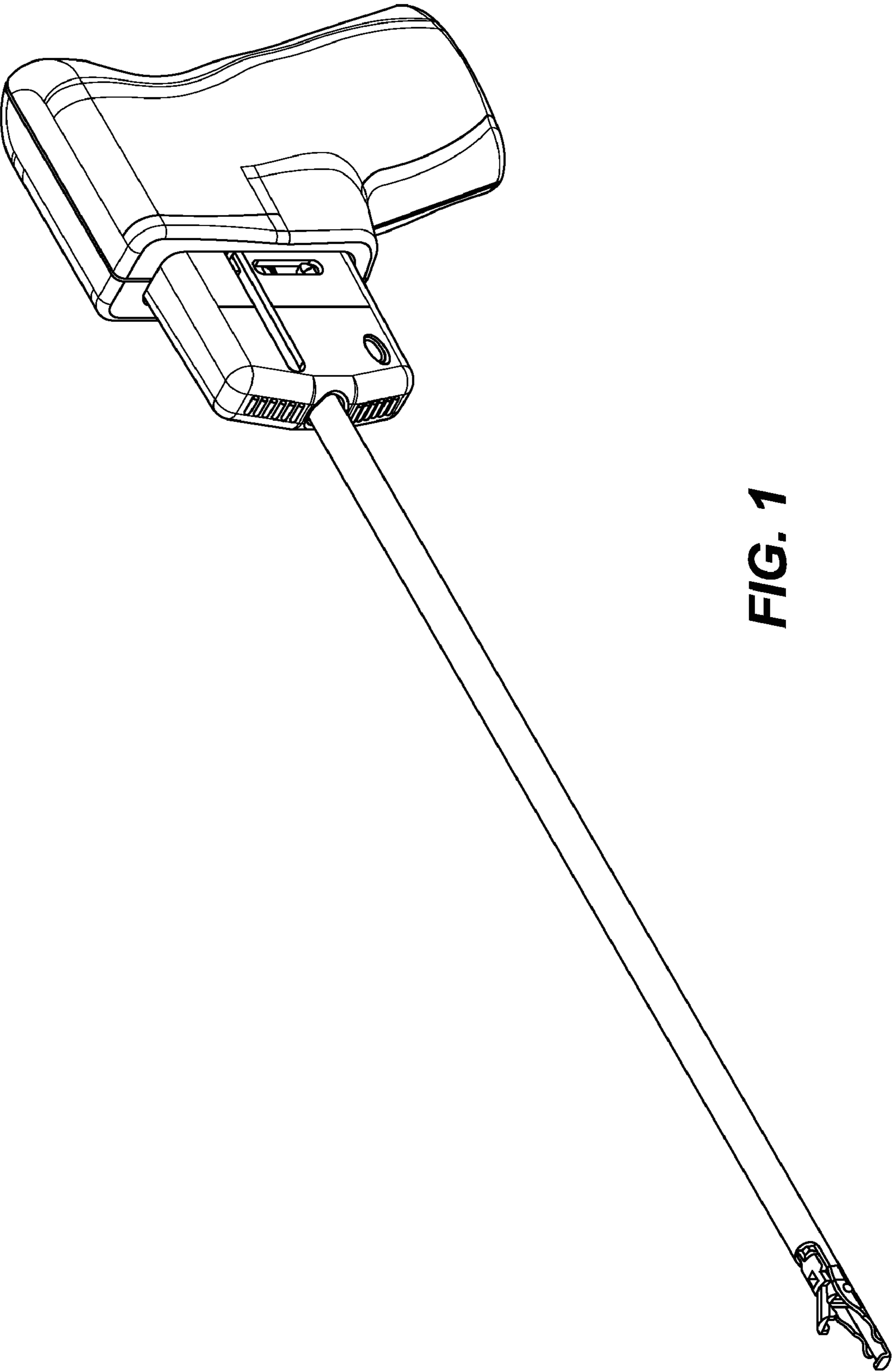


FIG. 1

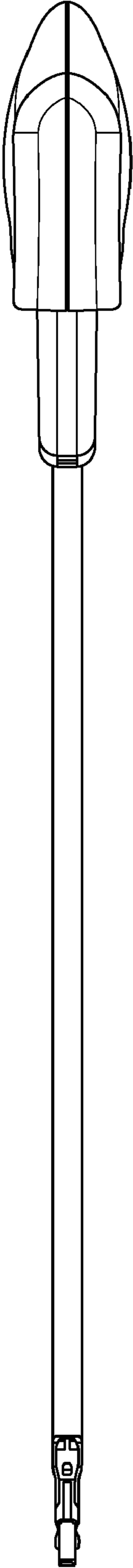


FIG. 2

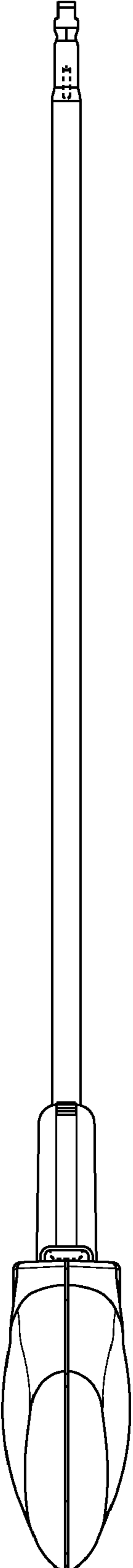


FIG. 3

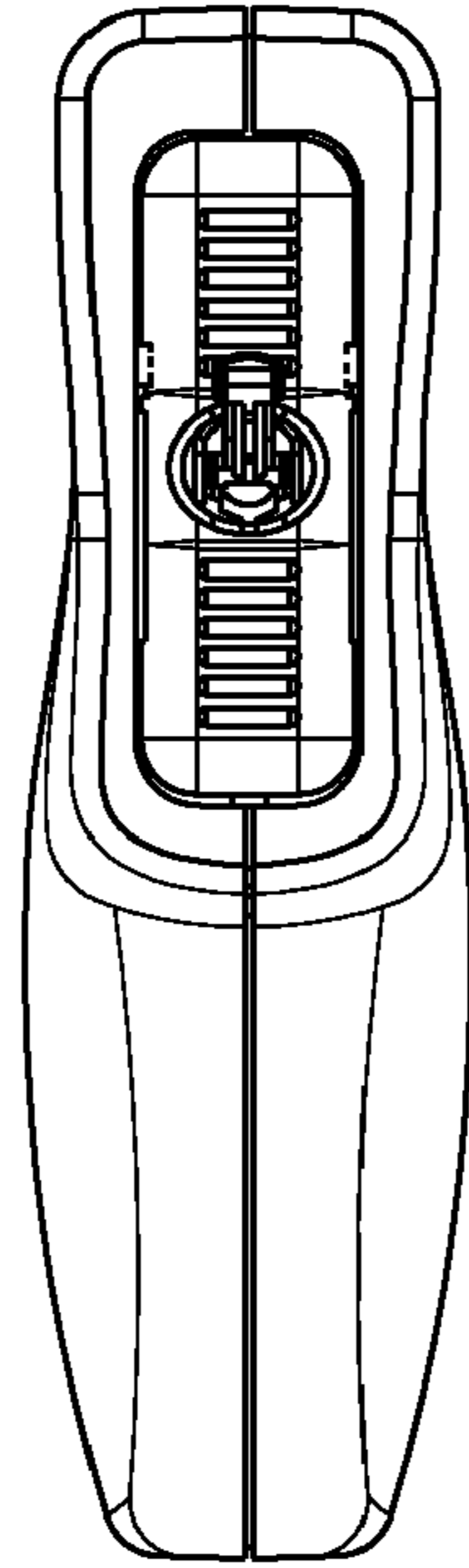


FIG. 4

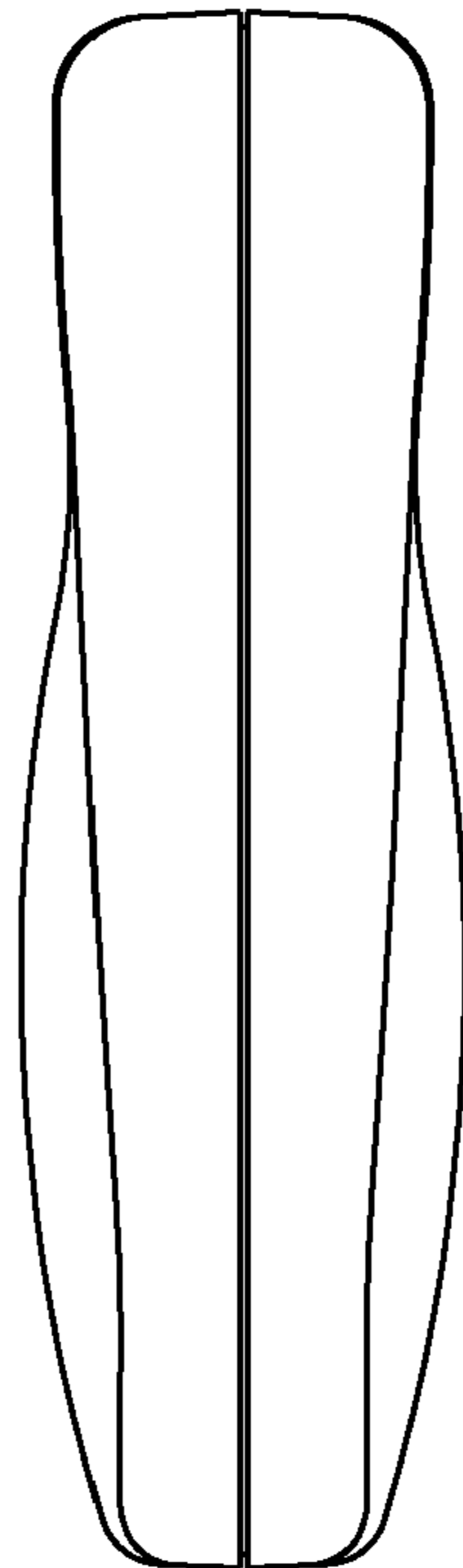


FIG. 5

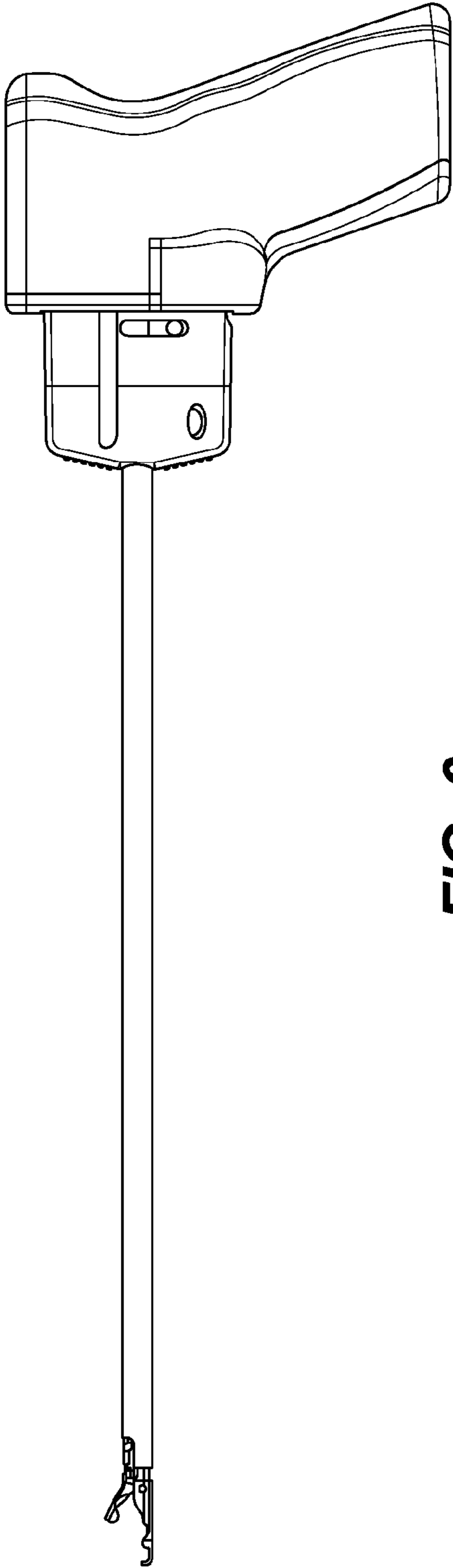


FIG. 6



FIG. 7

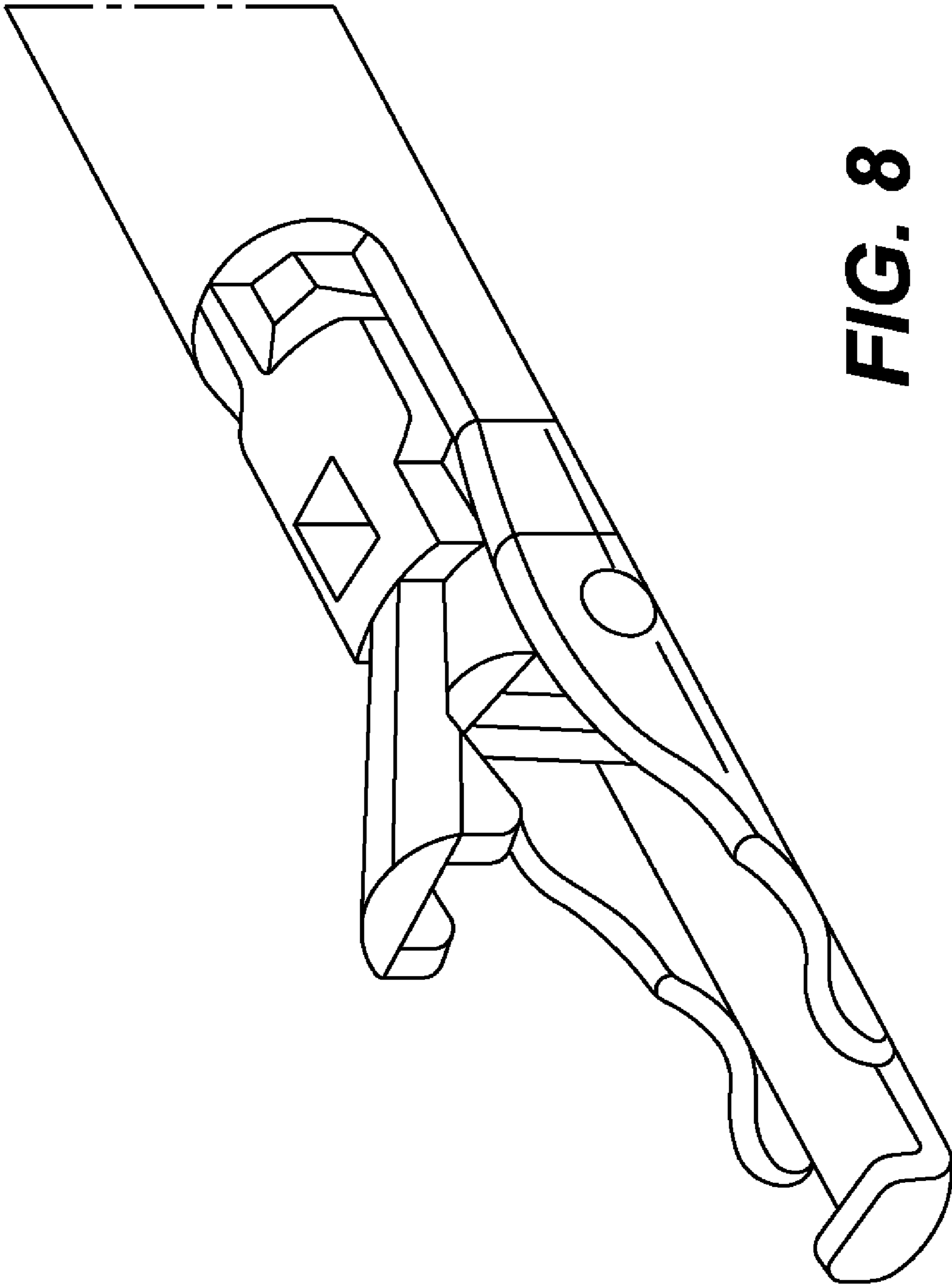


FIG. 8