



US00D631961S

(12) **United States Design Patent**
Held

(10) **Patent No.:** **US D631,961 S**
(45) **Date of Patent:** **** Feb. 1, 2011**

(54) **HANDLE**

(75) Inventor: **Manfred Held**, Hamburg (DE)

(73) Assignee: **Olympus Winter & IBE GmbH**,
Hamburg (DE)

(**) Term: **14 Years**

(21) Appl. No.: **29/361,682**

(22) Filed: **May 13, 2010**

Related U.S. Application Data

(62) Division of application No. 29/342,311, filed on Aug. 21, 2009, now Pat. No. Des. 621,040.

(30) **Foreign Application Priority Data**

Feb. 25, 2009 (EM) 001094999-001
Feb. 25, 2009 (EM) 001094999-0002
Feb. 25, 2009 (EM) 001094999-0003
Feb. 25, 2009 (EM) 001094999-0004

(51) **LOC (9) Cl.** **24-02**

(52) **U.S. Cl.** **D24/133; D24/146; D24/147**

(58) **Field of Classification Search** D24/133,
D24/137-138, 143, 145-149; D8/57, 51-52,
D8/107, 4-5, 53-56, 58, 105; D21/532;
D27/195; D28/57; 7/125, 135-136; 30/131,
30/194-195, 229-235, 268, 254-258, 350;
600/205-208, 564, 101, 104-105, 117, 123,
600/131, 132, 125; 606/174, 205, 208, 45-46,
606/49, 106, 206

See application file for complete search history.

(56) **References Cited**

U.S. PATENT DOCUMENTS

5,342,391 A * 8/1994 Foshee et al. 606/205

5,356,408 A 10/1994 Rydell
D357,980 S 5/1995 Ek et al.
D362,908 S 10/1995 Shutt et al.
D370,064 S * 5/1996 Livneh D24/146
5,782,749 A 7/1998 Riza
6,139,563 A * 10/2000 Cosgrove et al. 606/205
6,340,365 B2 * 1/2002 Dittrich et al. 606/205
6,371,956 B1 4/2002 Wilson et al.
D505,725 S 5/2005 Karl-Heinz

(Continued)

Primary Examiner—Ian Simmons

Assistant Examiner—Wan Laymon

(74) *Attorney, Agent, or Firm*—Rankin, Hill & Clark LLP

(57) **CLAIM**

I claim the ornamental design for a handle, as shown and described.

DESCRIPTION

FIG. 1 is a perspective view of a handle embodying our design;

FIG. 2 is a front view of the handle shown in FIG. 1;

FIG. 3 is a rear view of the handle shown in FIG. 1;

FIG. 4 is a right side view of the handle shown in FIG. 1;

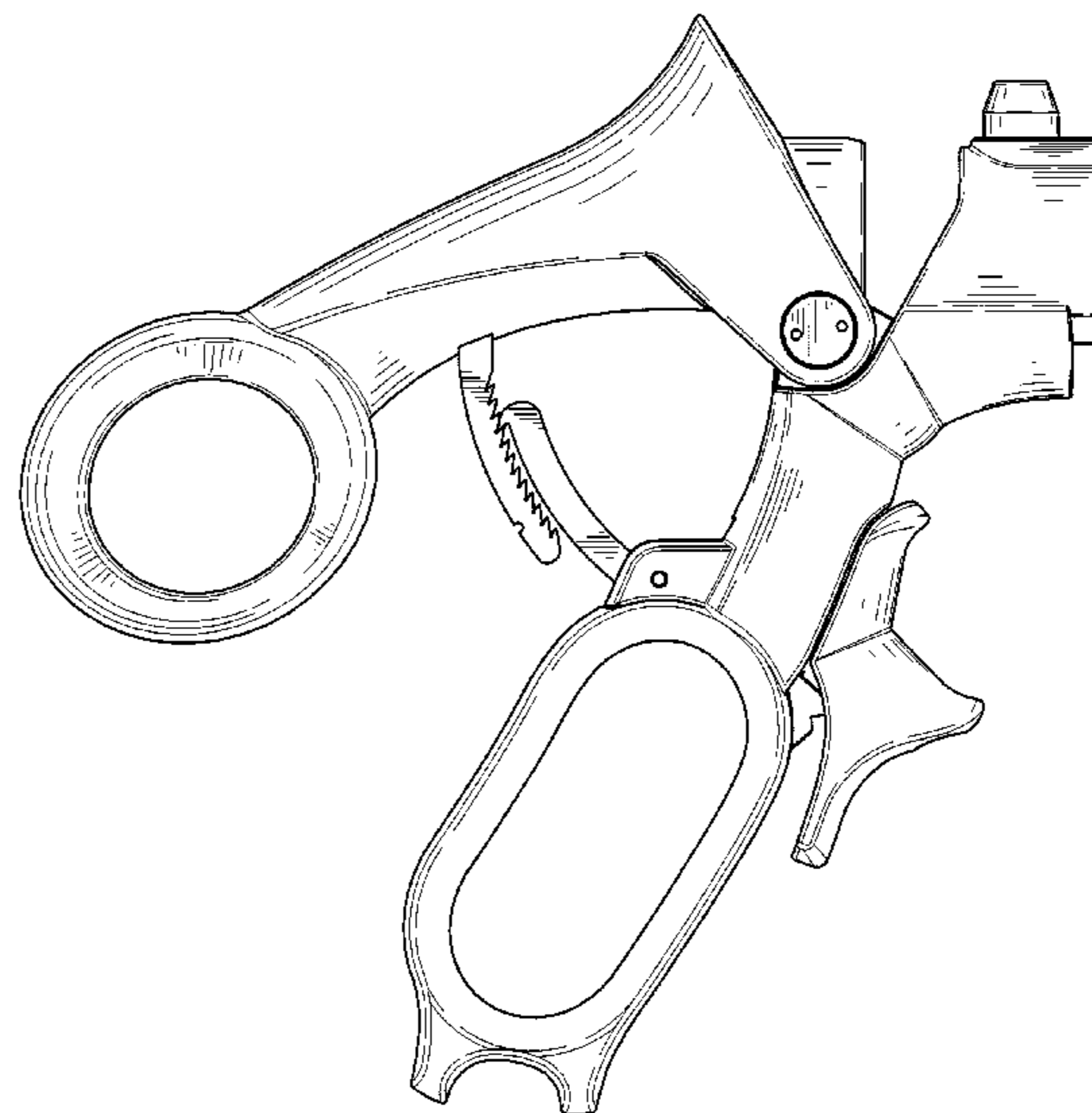
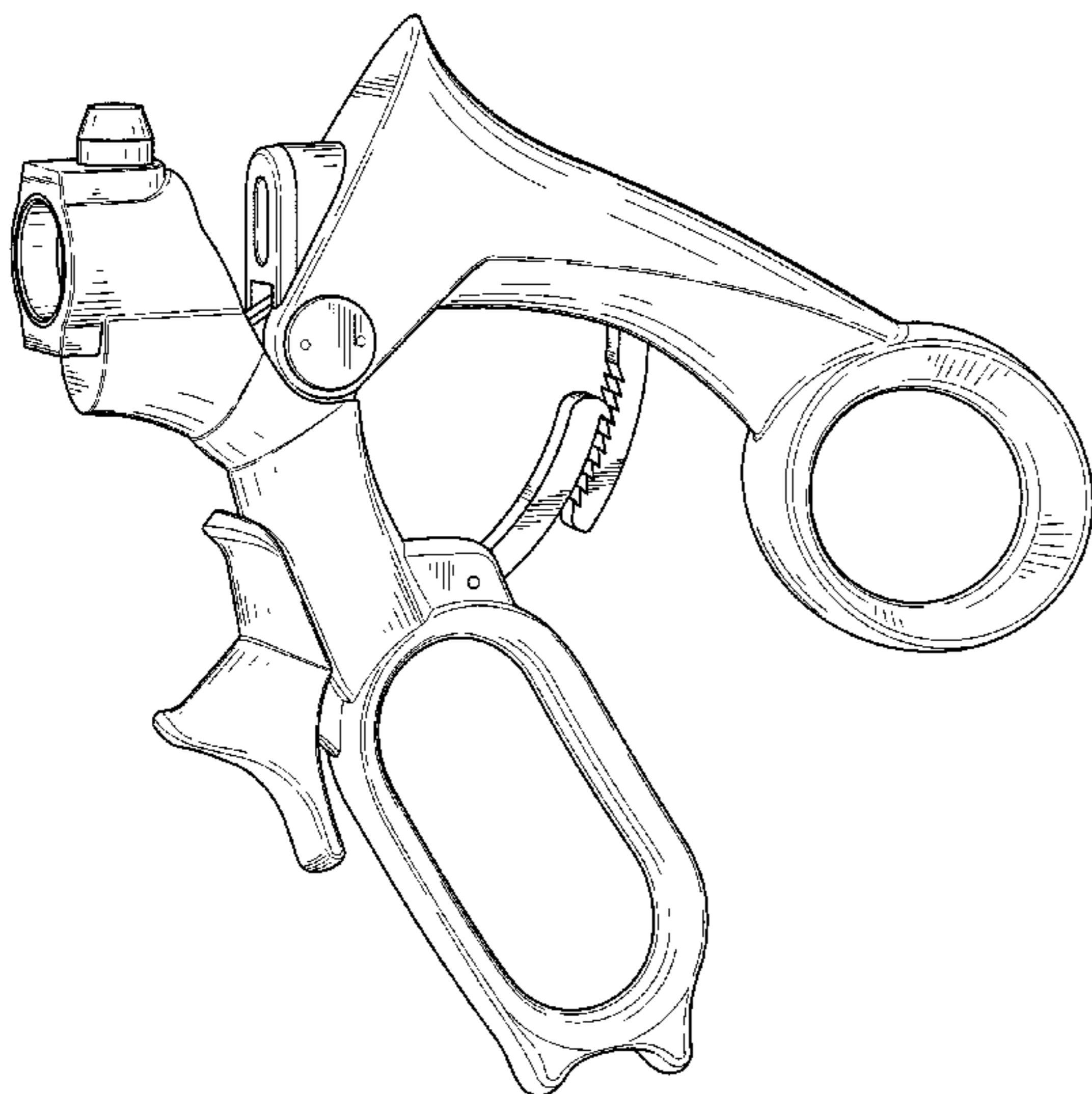
FIG. 5 is a left side view of the handle shown in FIG. 1;

FIG. 6 is a top view of the handle shown in FIG. 1; and,

FIG. 7 is a bottom view of the handle shown in FIG. 1.

In FIGS. 2 and 7, the broken lines showing portions of a handle are included for the purpose of illustrating environmental structure and form no part of the claimed design.

1 Claim, 5 Drawing Sheets



US D631,961 S

Page 2

U.S. PATENT DOCUMENTS

D541,416 S 4/2007 Baehr et al.
D557,415 S 12/2007 Bacher
D562,450 S 2/2008 Wehrstein et al.
D580,548 S 11/2008 Mouret
D594,982 S 6/2009 Stefan

D605,761 S 12/2009 Stefan
2004/0225323 A1* 11/2004 Nagase et al. 606/205
2006/0004406 A1* 1/2006 Wehrstein et al. 606/205
2007/0299469 A1* 12/2007 Carpenter et al. 606/205
2009/0234355 A1 9/2009 Edwards

* cited by examiner

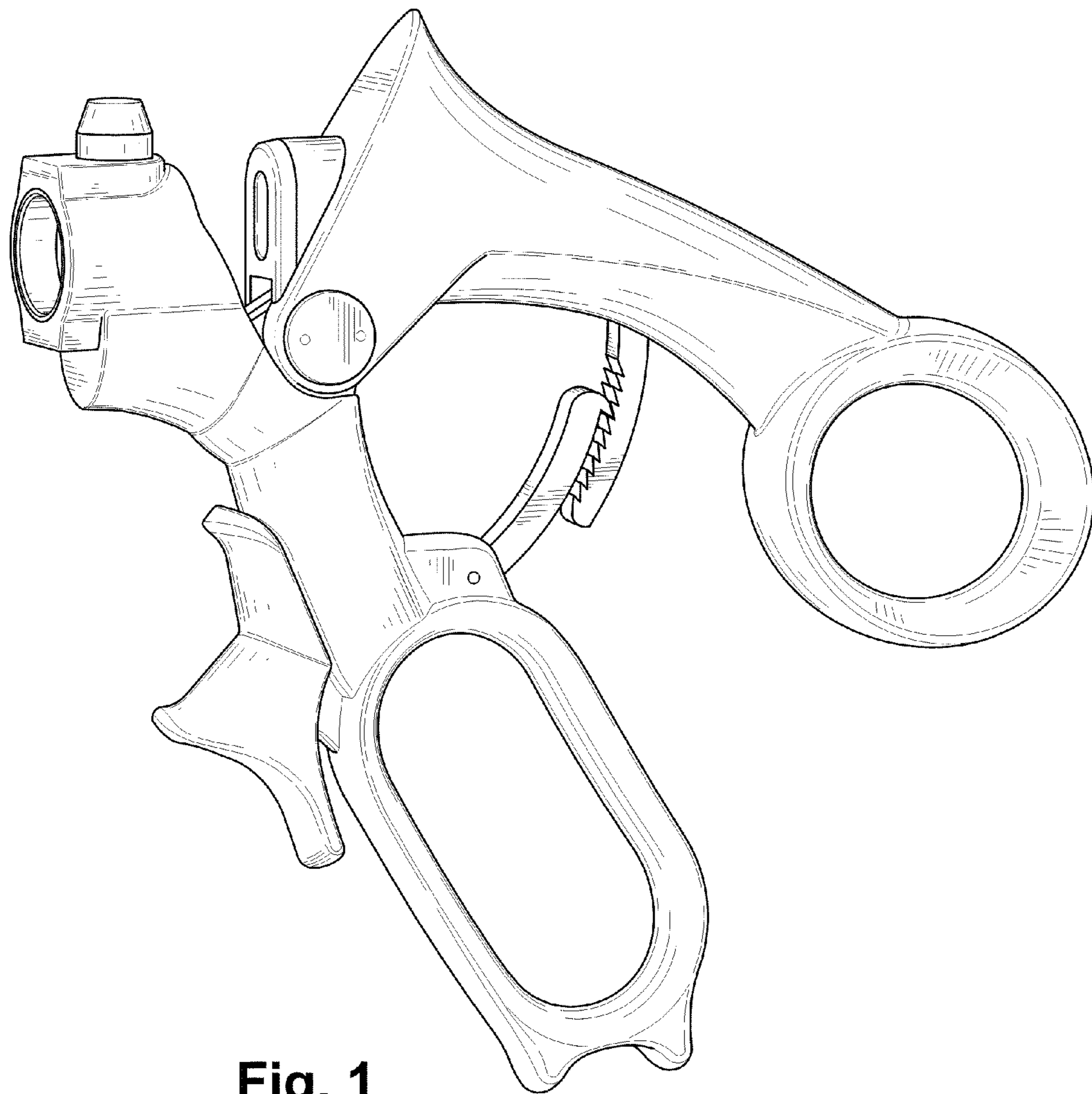


Fig. 1

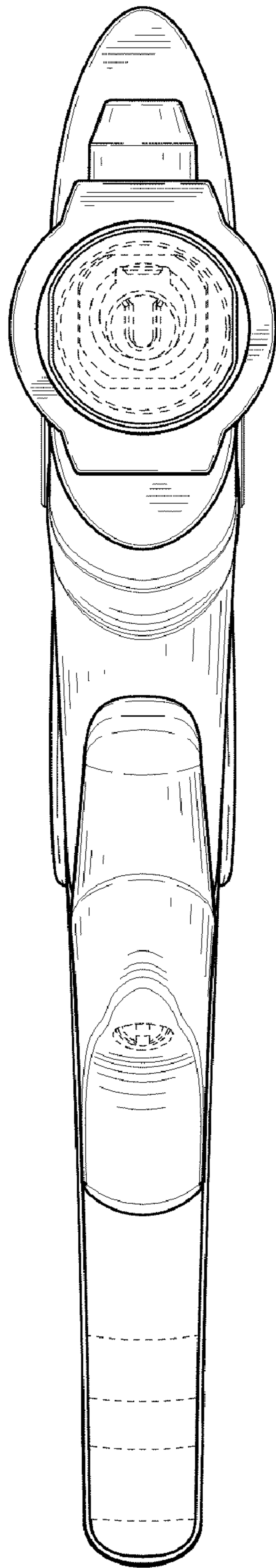


Fig. 2

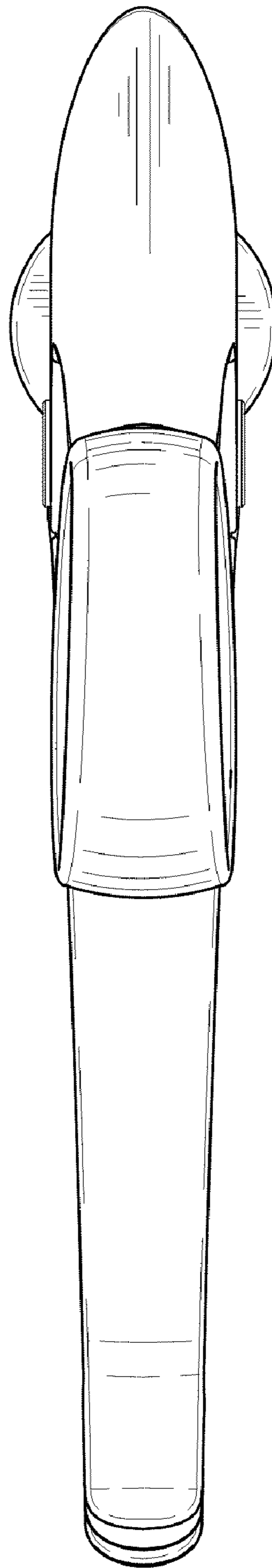


Fig. 3

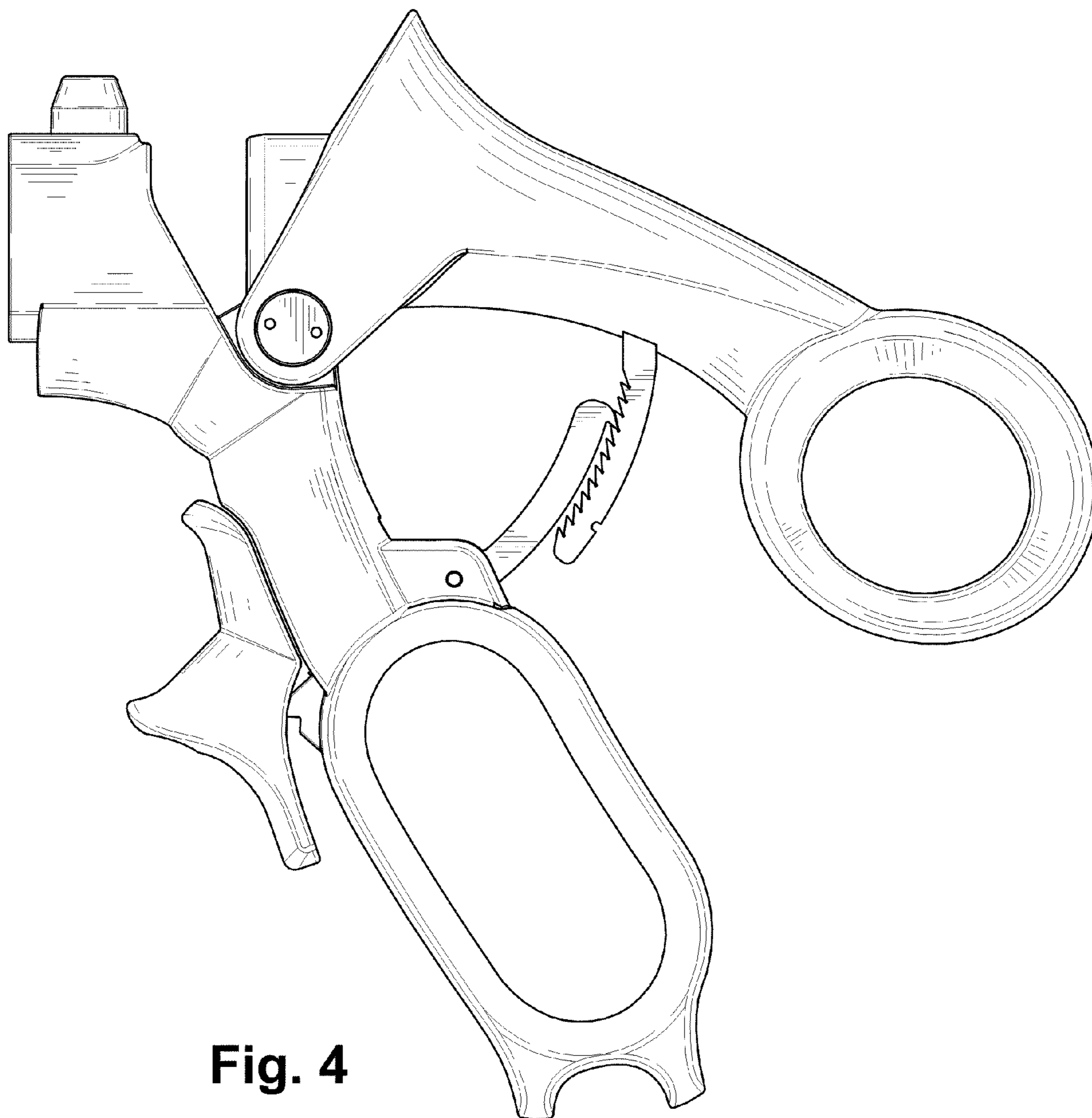


Fig. 4

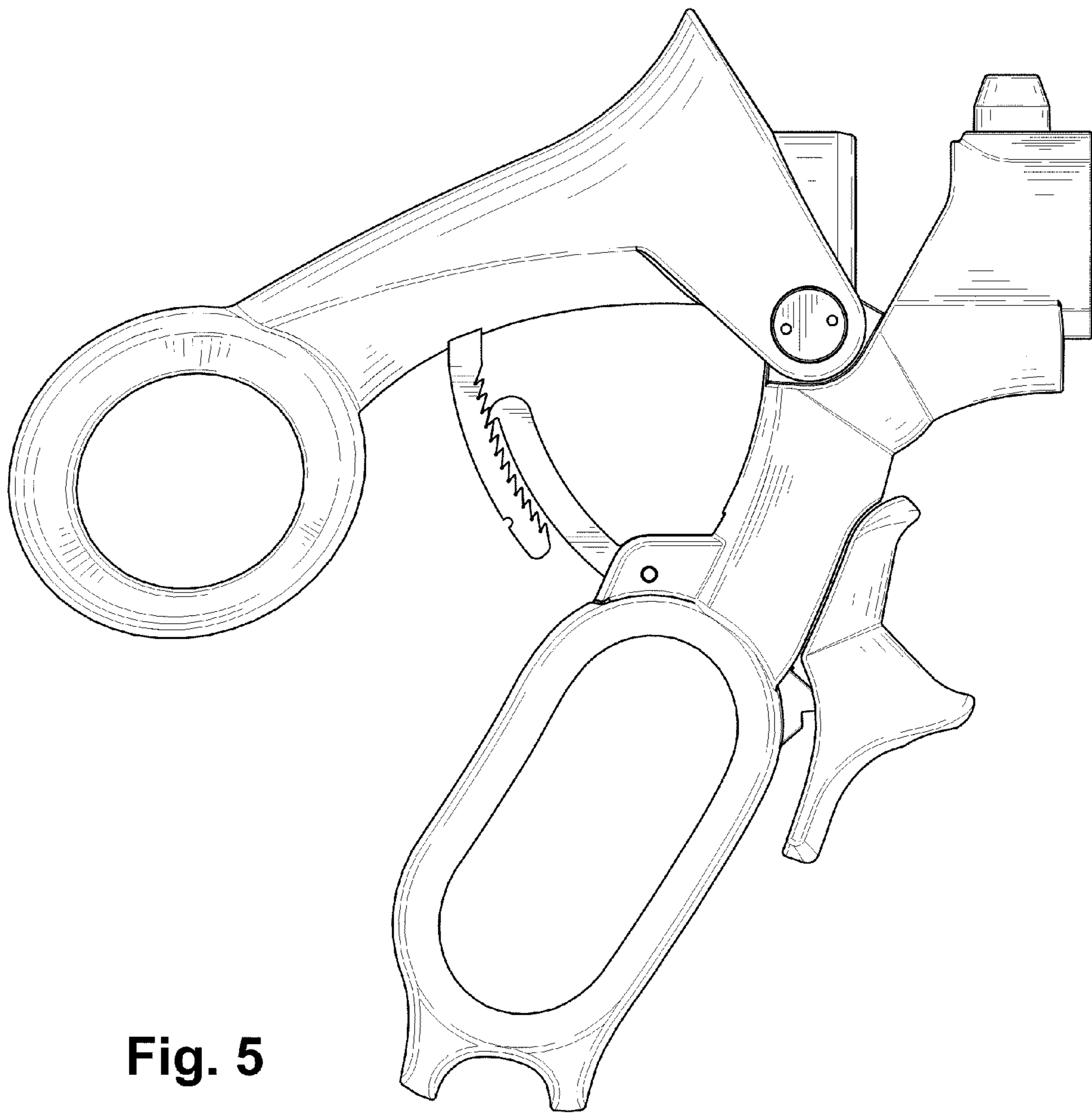


Fig. 5

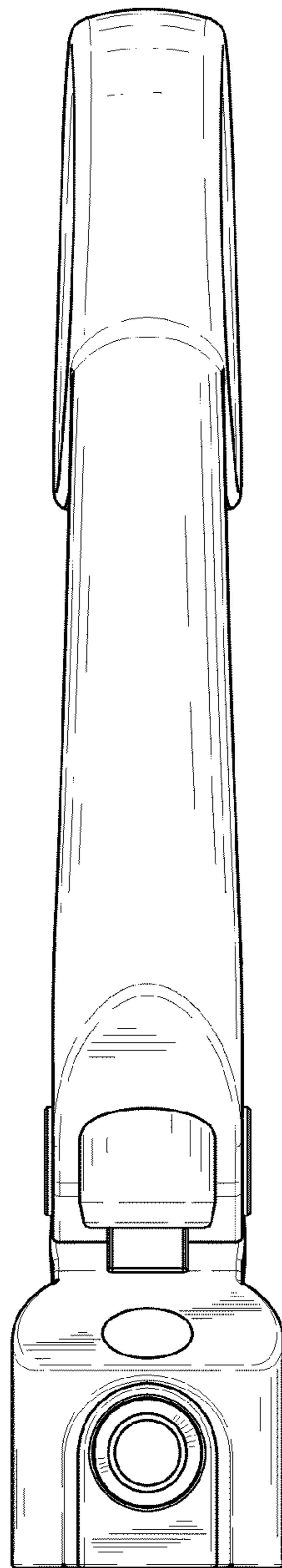


Fig. 6

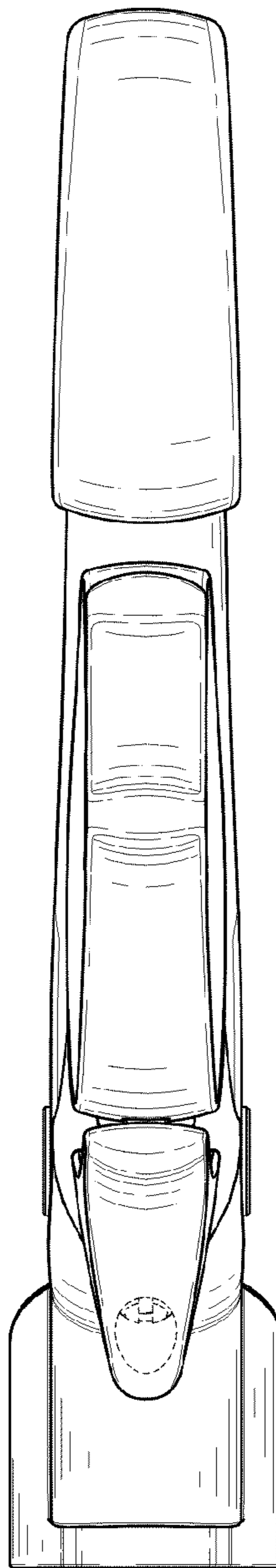


Fig. 7