



US00D631954S

(12) **United States Design Patent**  
**Bertassi et al.**

(10) **Patent No.:** **US D631,954 S**

(45) **Date of Patent:** **\*\* Feb. 1, 2011**

(54) **DIFFUSION EVAPORATOR FOR ACTIVE SUBSTANCES**

(74) *Attorney, Agent, or Firm*—McCormick, Paulding & Huber LLP

(75) Inventors: **Edoardo Bertassi**, Trento (IT); **David Moreno Pérez**, Cerdanyola del Valles (ES); **Jose Antonio Luque Salcedo**, Cerdanyola del Valles (ES)

(57) **CLAIM**

The ornamental design for a diffusion evaporator for active substances, substantially as shown and described.

(73) Assignee: **Zoebele Holding Spa**, Trento (IT)

**DESCRIPTION**

(\*\*) Term: **14 Years**

FIG. 1 is a perspective view from above of a diffusion evaporator for active substances comprising a new, original and ornamental design;

(21) Appl. No.: **29/306,571**

FIG. 2 is another perspective view from above of a diffusion evaporator for active substances comprising the new, original and ornamental design;

(22) Filed: **Apr. 11, 2008**

(51) **LOC (9) Cl.** ..... **28-99**

FIG. 3 is a perspective view from below of a diffusion evaporator for active substances comprising the new, original and ornamental design;

(52) **U.S. Cl.** ..... **D23/366**

(58) **Field of Classification Search** ..... D23/355–369;  
261/DIG. 17, DIG. 42, DIG. 65, DIG. 88,  
261/DIG. 89; 239/34–36, 44–45, 53–54,  
239/56–57, 60, 136, 152, 302, 326; 392/386,  
392/390, 392, 394, 395; D28/5, 6

FIG. 4 is a top plan view of a diffusion evaporator for active substances comprising the new, original and ornamental design;

See application file for complete search history.

FIG. 5 is a front elevational view of a diffusion evaporator for active substances comprising the new, original and ornamental design;

(56) **References Cited**

**U.S. PATENT DOCUMENTS**

D296,820	S	*	7/1988	Suhajda	.....	D23/363
4,849,606	A	*	7/1989	Martens et al.	.....	392/390
D323,383	S	*	1/1992	Keays et al.	.....	D23/366
D334,975	S	*	4/1993	Bunce et al.	.....	D23/366
D345,787	S	*	4/1994	Martin	.....	D23/366
D349,157	S	*	7/1994	Rymer	.....	D23/362
5,478,505	A	*	12/1995	McElfresh et al.	.....	261/30
D367,924	S	*	3/1996	Patel et al.	.....	D23/369
5,521,357	A	*	5/1996	Lock et al.	.....	219/543
5,527,493	A	*	6/1996	McElfresh et al.	.....	261/30
D373,626	S	*	9/1996	Dente et al.	.....	D23/366
D375,350	S	*	11/1996	Patel et al.	.....	D23/366
D436,536	S	*	1/2001	Levi	.....	D9/447

FIG. 6 is a left-hand side view of a diffusion evaporator for active substances comprising the new, original and ornamental design;

FIG. 7 is a bottom plan of a diffusion evaporator for active substances comprising the new, original and ornamental design;

FIG. 8 is a rear elevational view of a diffusion evaporator for active substances comprising the new, original and ornamental design; and,

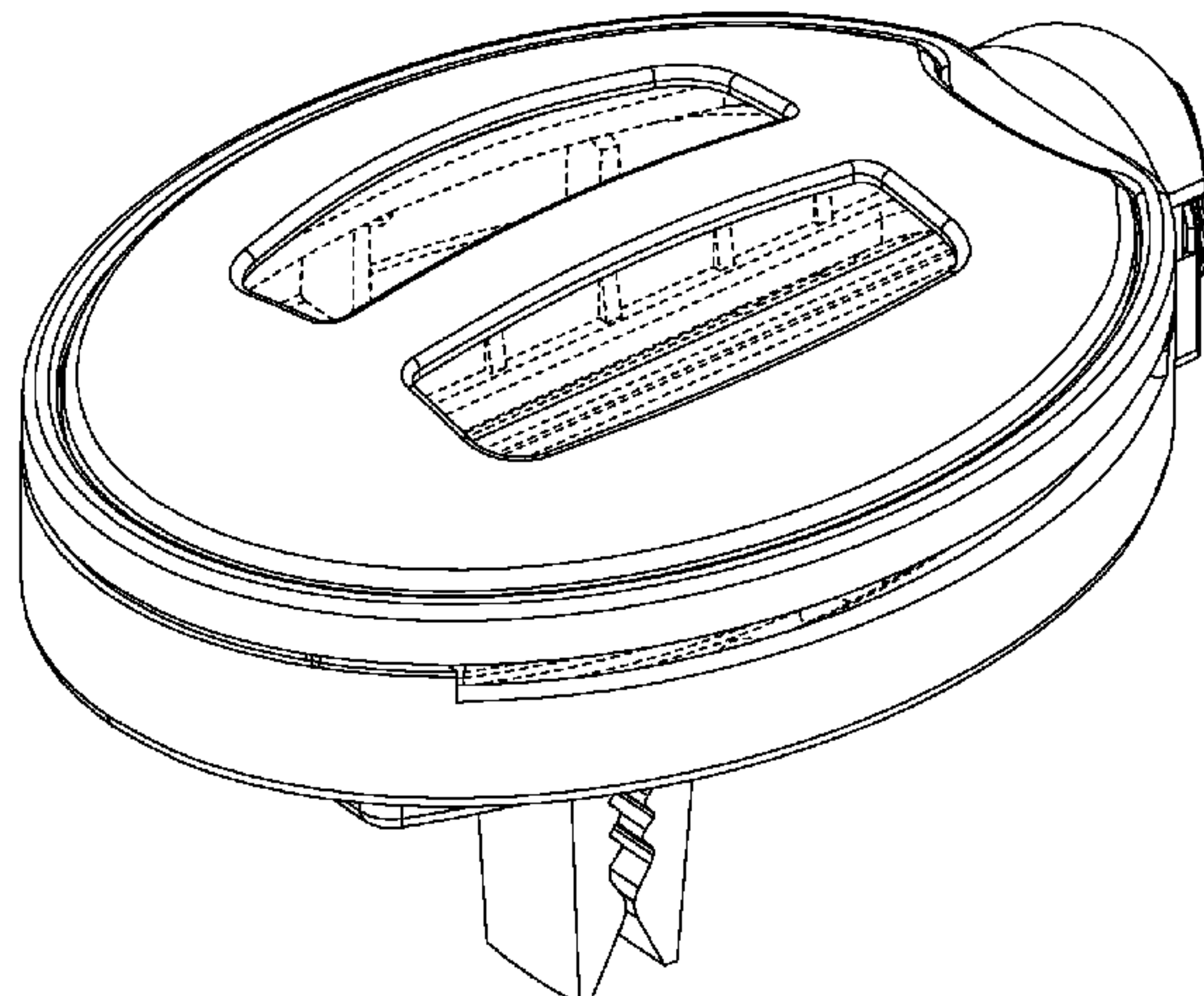
FIG. 9 is a right-hand side view of a diffusion evaporator for active substances comprising the new, original and ornamental design.

The broken line portion of the figure drawings is included to show unclaimed subject matter only and forms no part of the claimed design.

(Continued)

*Primary Examiner*—Sandra Snapp

**1 Claim, 5 Drawing Sheets**



# US D631,954 S

Page 2

---

## U.S. PATENT DOCUMENTS

D441,441 S *	5/2001	Upson .....	D23/366	D550,345 S *	9/2007	Weggelaar .....	D23/366
D443,924 S *	6/2001	Renella .....	D23/366	D551,333 S *	9/2007	Wu .....	D23/366
D491,257 S *	6/2004	Picken, Jr. ....	D23/366	D555,778 S *	11/2007	Fellows et al. ....	D23/366
D521,138 S *	5/2006	Wu .....	D23/366	D565,715 S *	4/2008	Wu .....	D23/366
D532,893 S *	11/2006	Wu .....	D23/366	D583,037 S *	12/2008	Kenny .....	D23/366
D544,594 S *	6/2007	Zobebe .....	D23/366	D585,129 S *	1/2009	Huang .....	D23/366
				D591,415 S *	4/2009	Wu .....	D23/366

\* cited by examiner

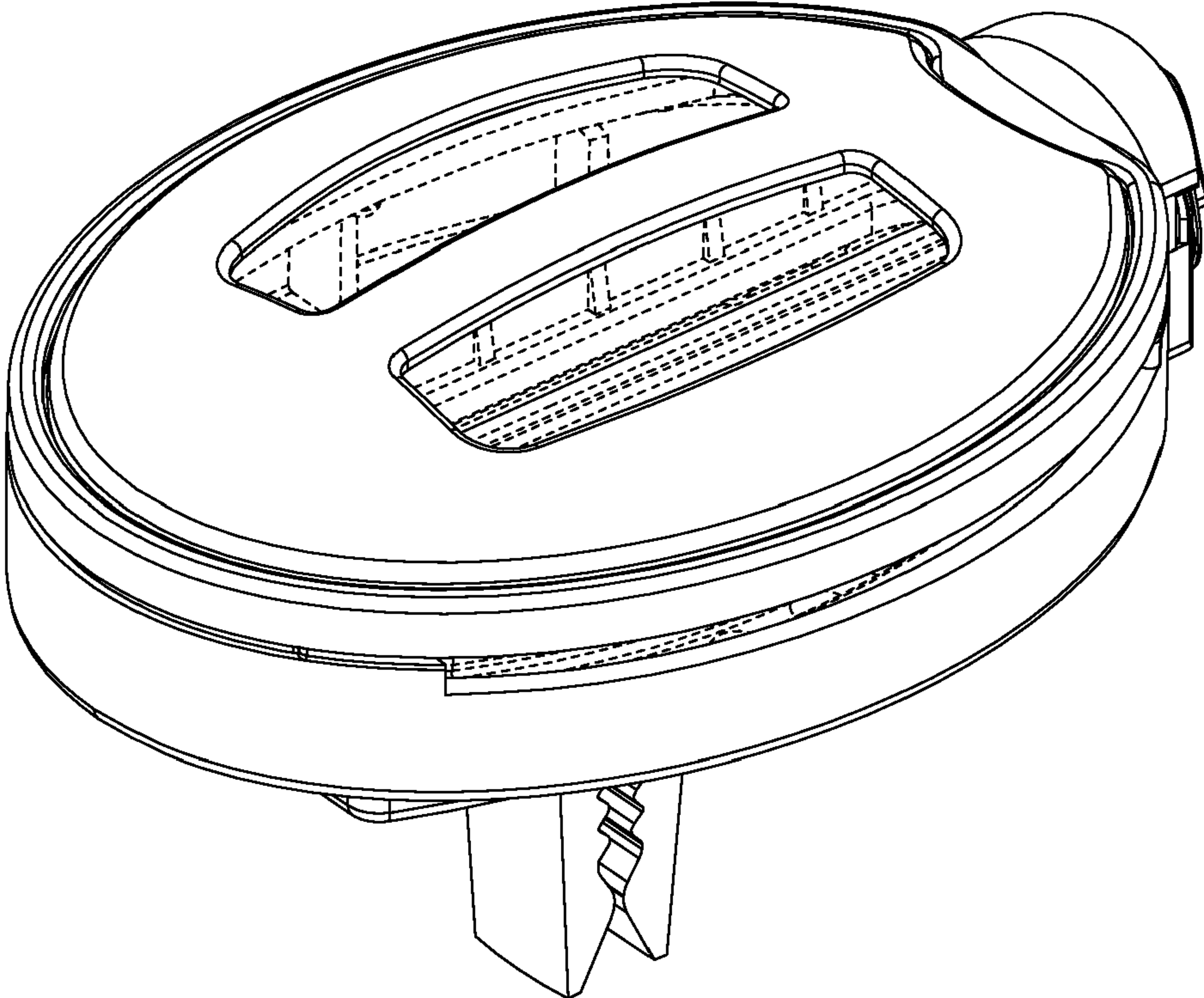


FIG. 1

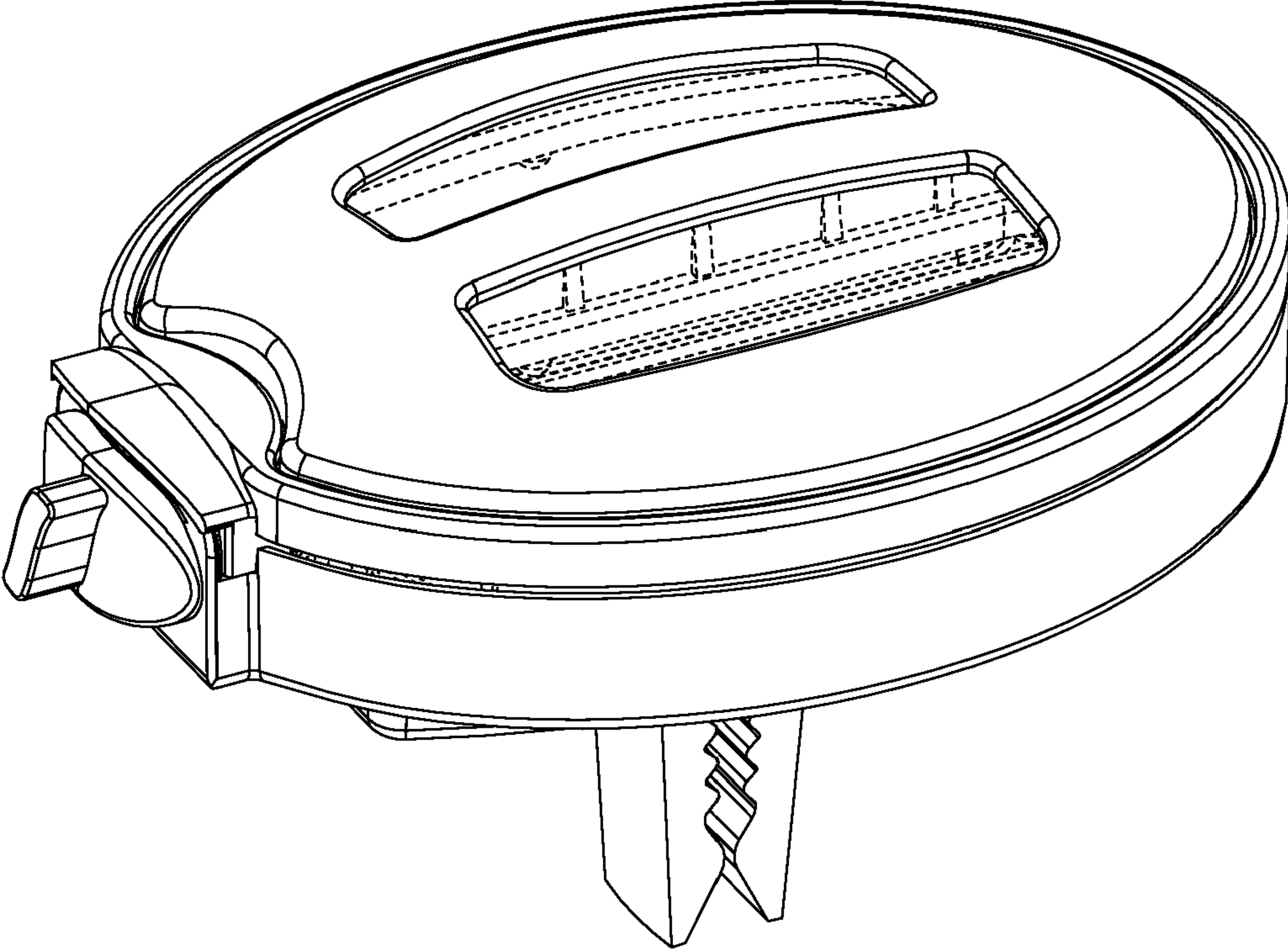


FIG. 2



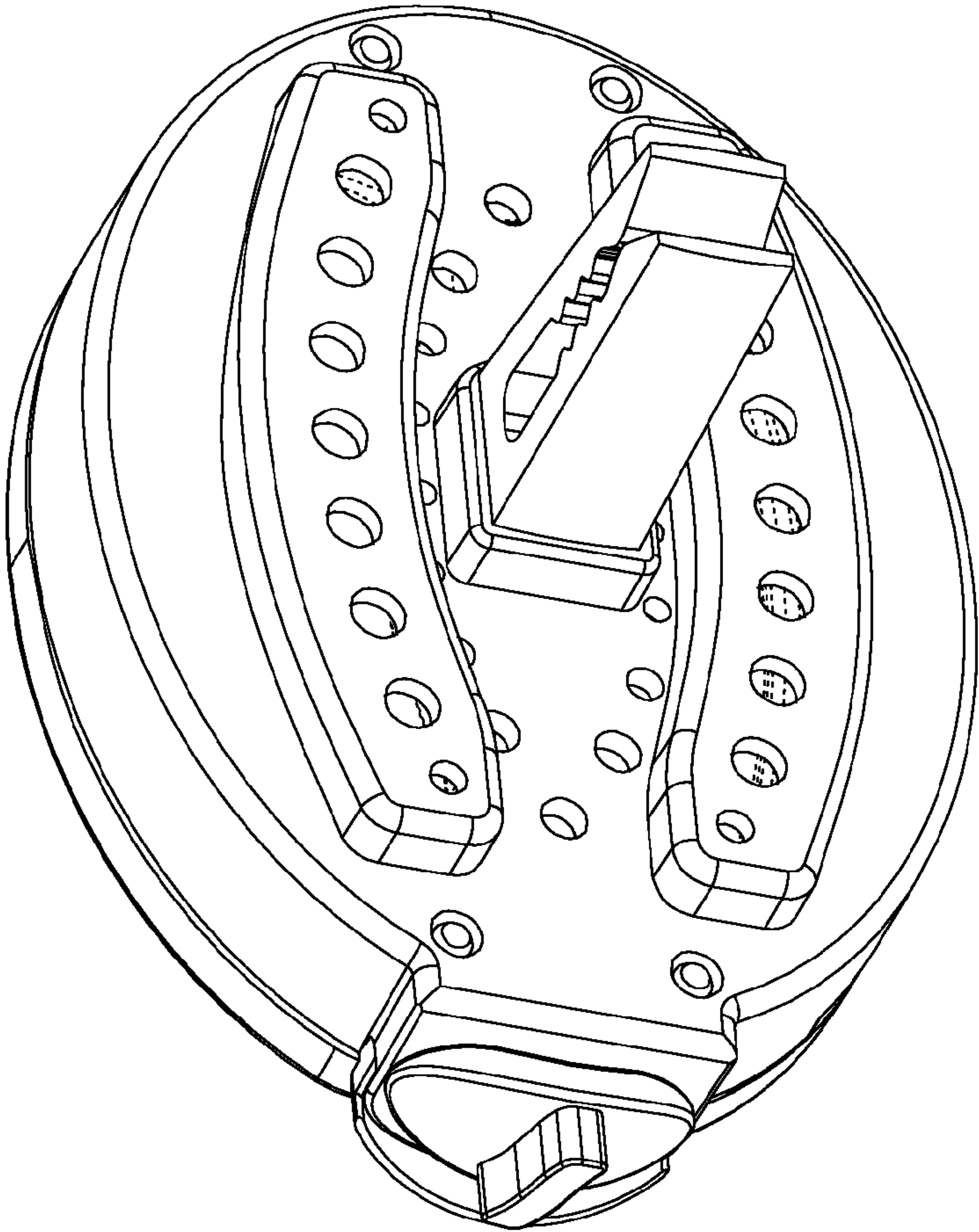


FIG. 3

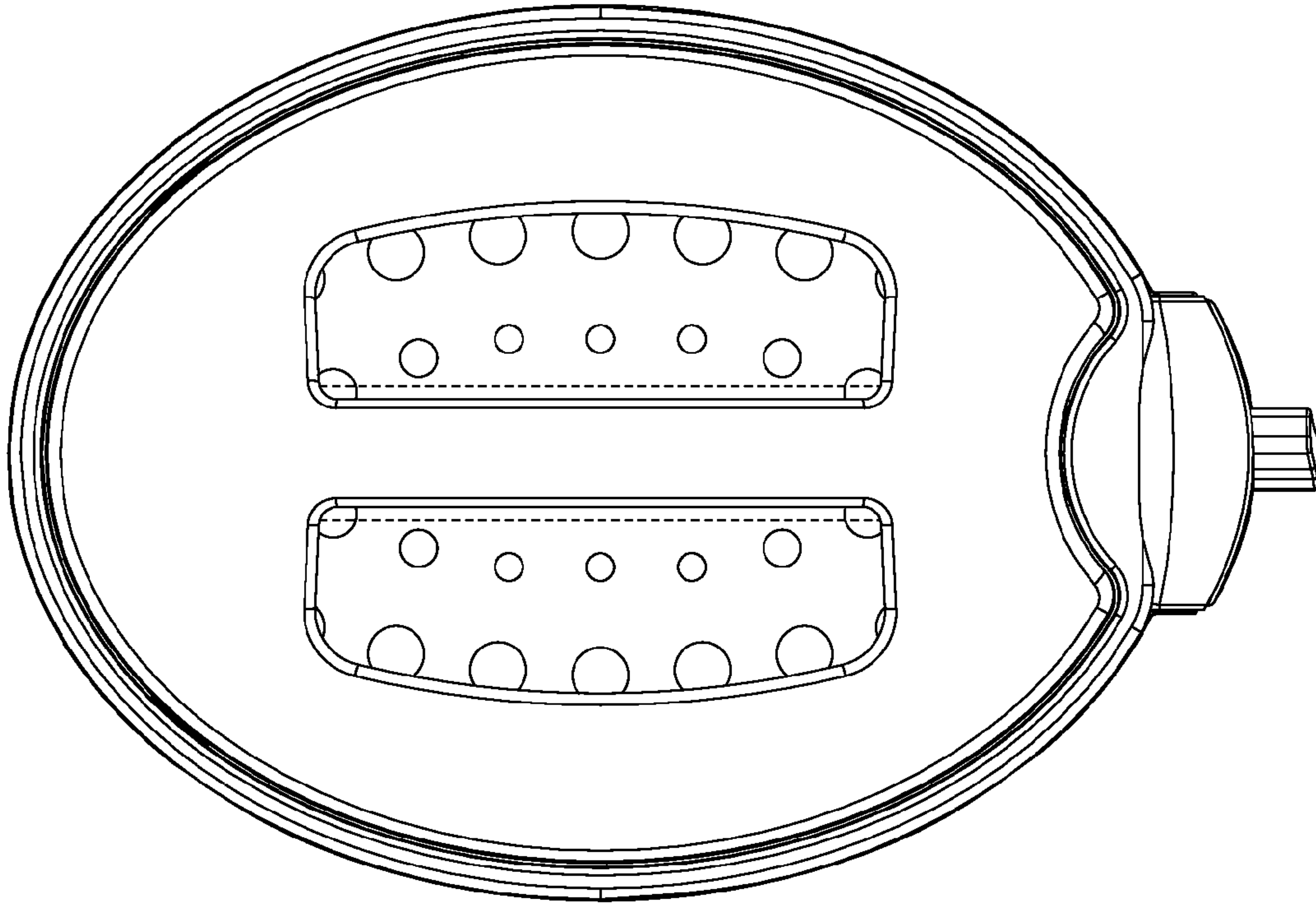


FIG. 4

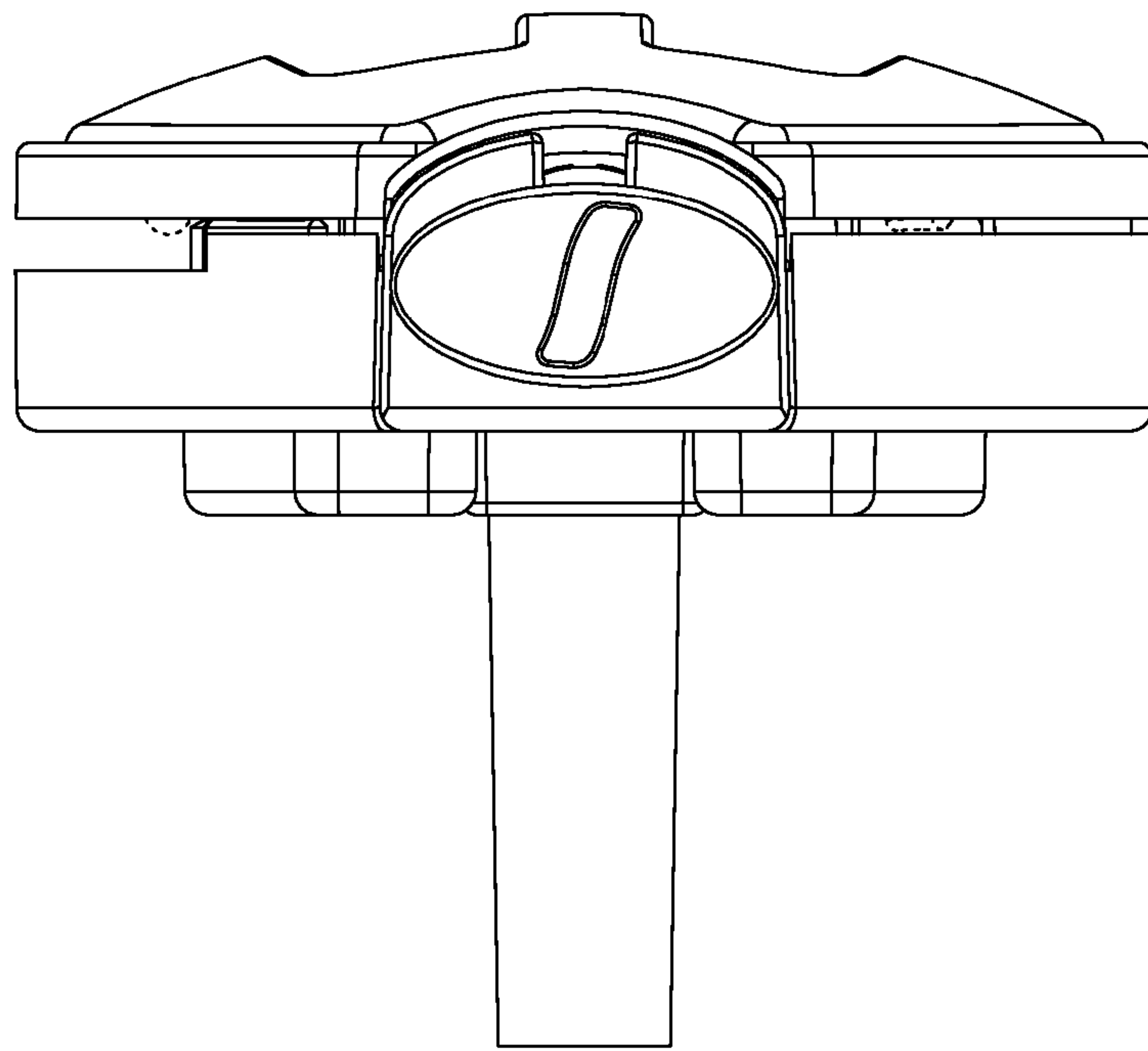


FIG. 5

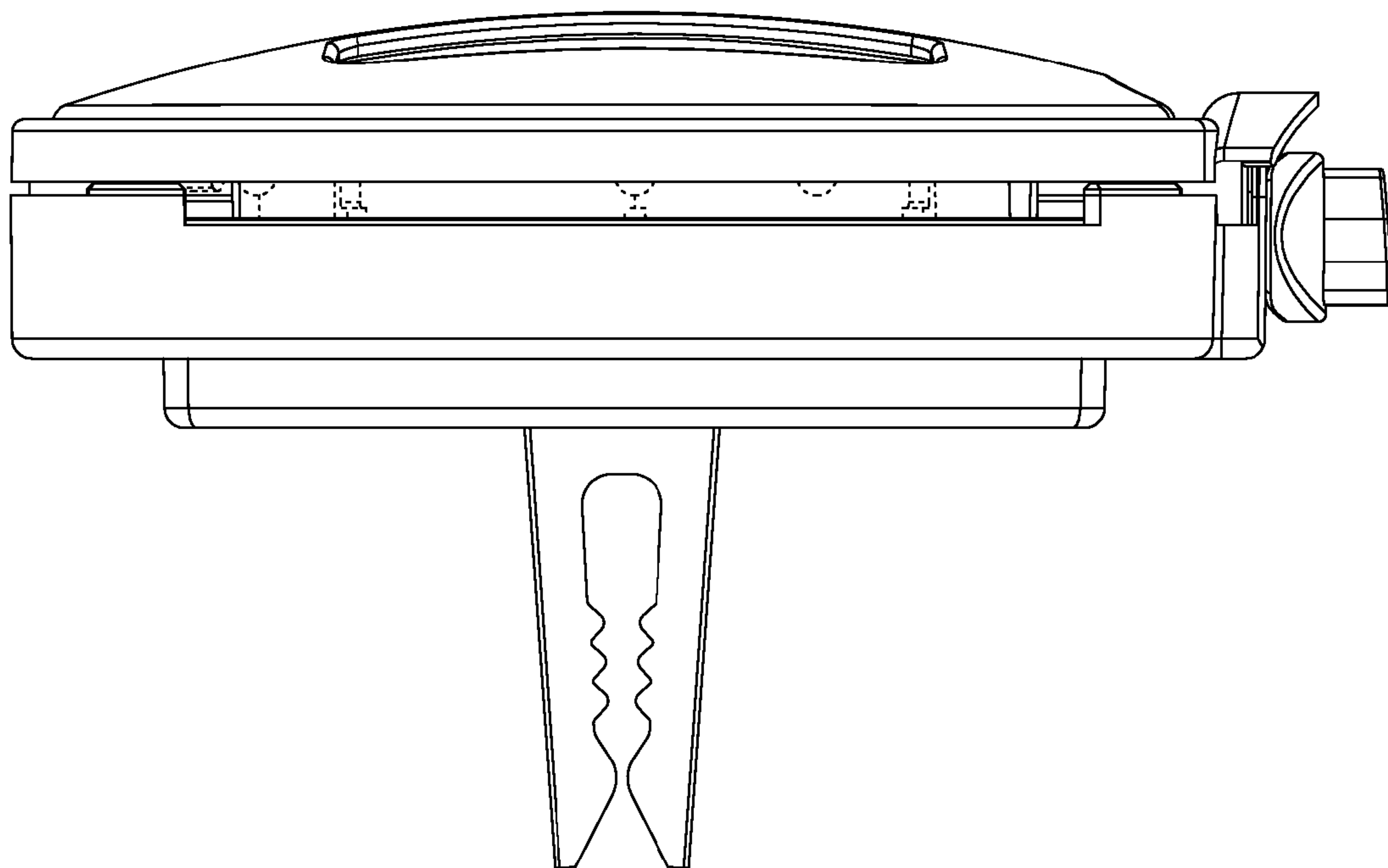


FIG. 6

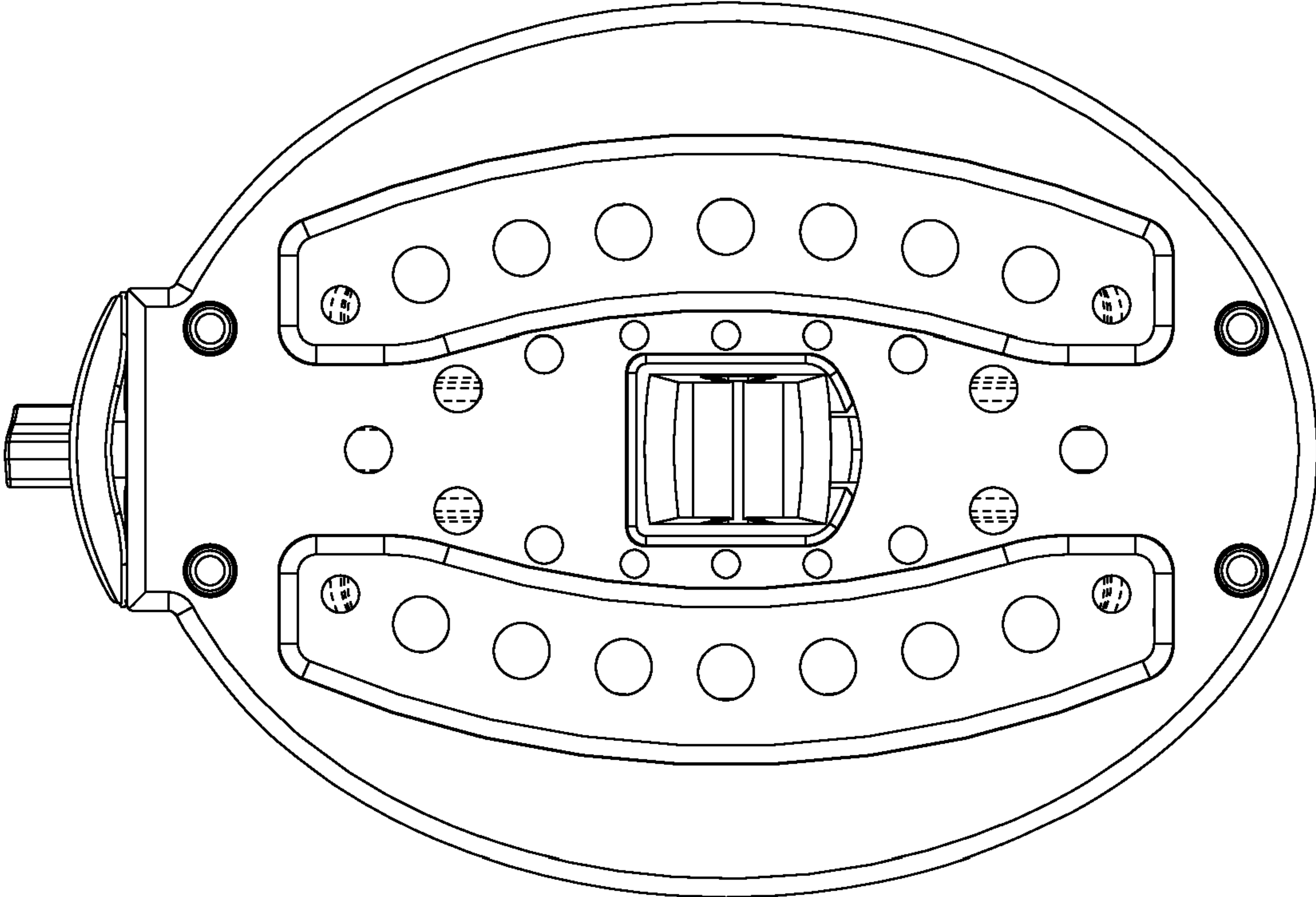


FIG. 7

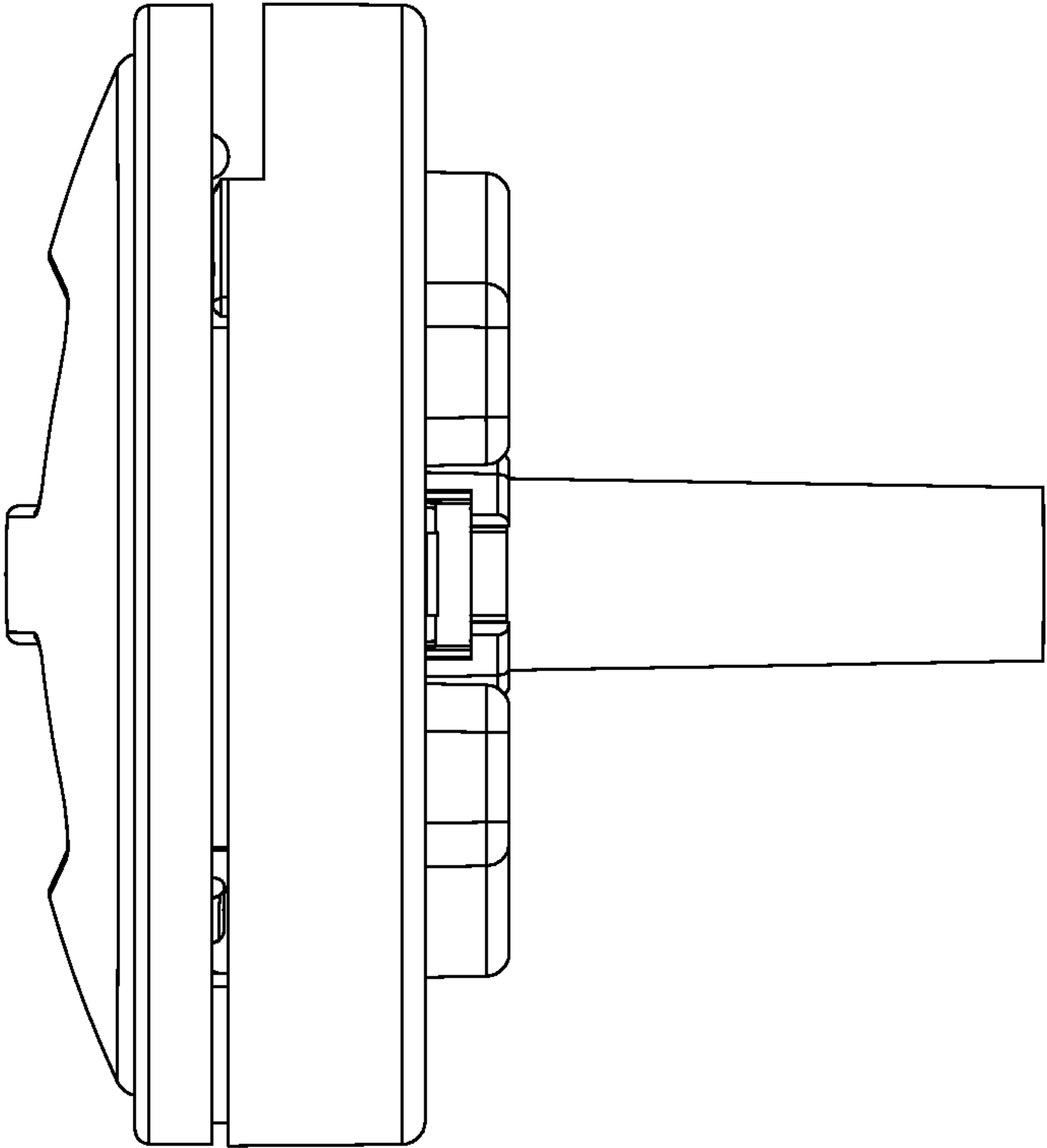


FIG. 8

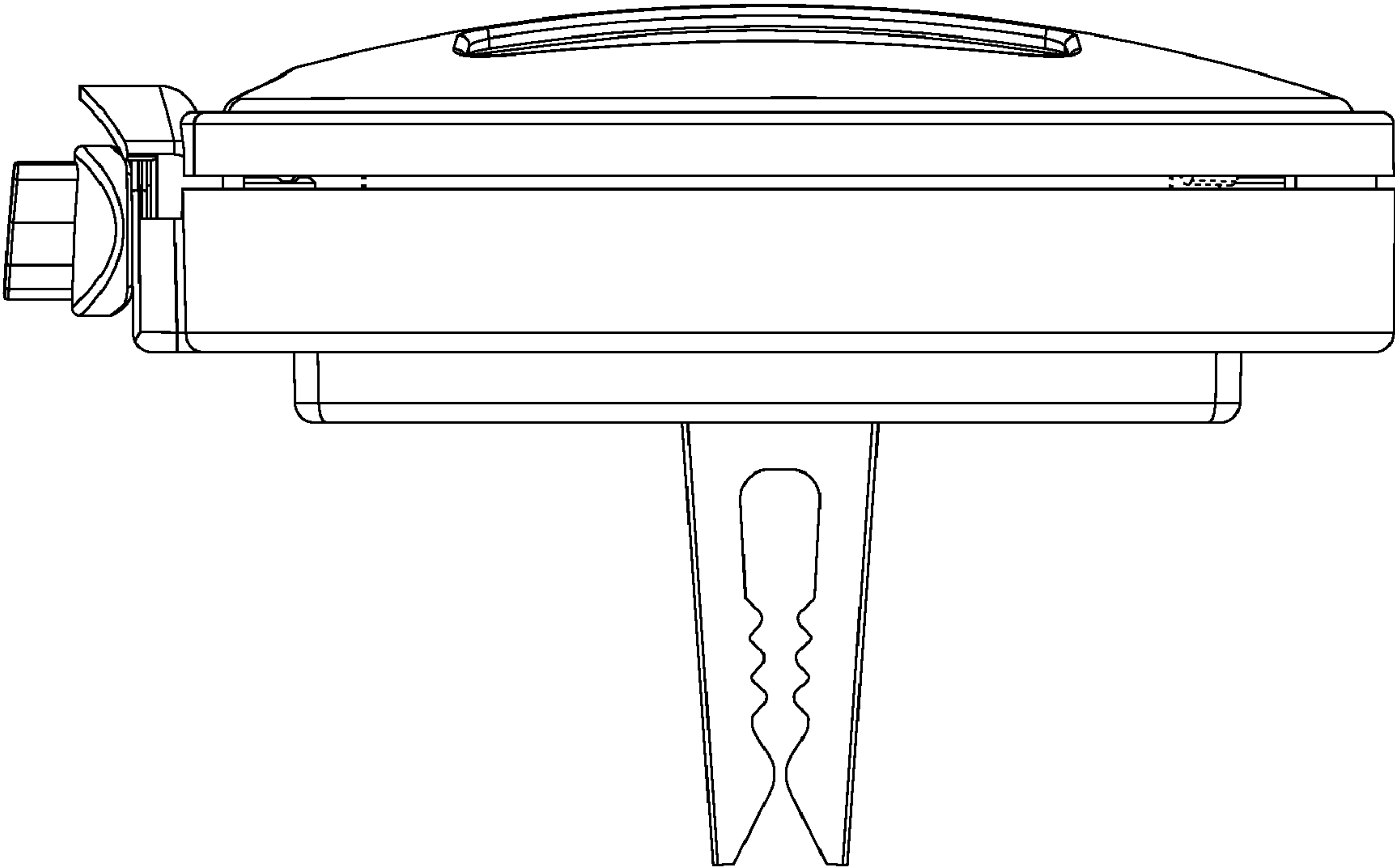


FIG. 9