



US00D631952S

(12) **United States Design Patent**
Marcoff

(10) **Patent No.:** **US D631,952 S**

(45) **Date of Patent:** **** Feb. 1, 2011**

(54) **SINK COVER**

(76) **Inventor:** **Valerie J. Marcoff**, P.O. Box 1586,
Jasper, AB (CA) T0E 1E0

(**) **Term:** **14 Years**

(21) **Appl. No.:** **29/315,337**

(22) **Filed:** **Jun. 16, 2009**

(51) **LOC (9) Cl.** **23-01**

(52) **U.S. Cl.** **D23/308; D7/698; D32/55**

(58) **Field of Classification Search** **D23/284-285,**
D23/287, 290, 293.1, 308; 4/656, 637; D7/698;
D32/55

See application file for complete search history.

(56) **References Cited**

U.S. PATENT DOCUMENTS

966,298	A	8/1910	Beland	
3,988,784	A	11/1976	Reedy et al.	
4,305,166	A	12/1981	Rose	
D264,531	S *	5/1982	Trode	D6/398
D339,507	S *	9/1993	Ancona et al.	D7/698
D352,205	S *	11/1994	Swetharanyam	D7/553.4
5,406,656	A	4/1995	Somerton	
5,815,855	A	10/1998	McKeehan et al.	
5,988,193	A *	11/1999	Hernandez	134/184
D449,875	S	10/2001	Fludd-Robinson et al.	

D462,965 S * 9/2002 Pentz D14/436

D517,670 S 3/2006 Rocci

7,086,099 B2 8/2006 Rocci

D584,117 S * 1/2009 Curtin D7/698

D587,539 S * 3/2009 Almeda et al. D7/698

* cited by examiner

Primary Examiner—Robert A Delehanty

(74) *Attorney, Agent, or Firm*—Montgomery Patent and
Design; Joseph T. Yaksich; Robert C. Montgomery

(57) **CLAIM**

The ornamental design for a sink cover.

DESCRIPTION

FIG. 1 is an isometric view of a sink cover, as shown and
described;

FIG. 2 is a top view thereof;

FIG. 3 is a bottom view thereof;

FIG. 4 is a front view thereof;

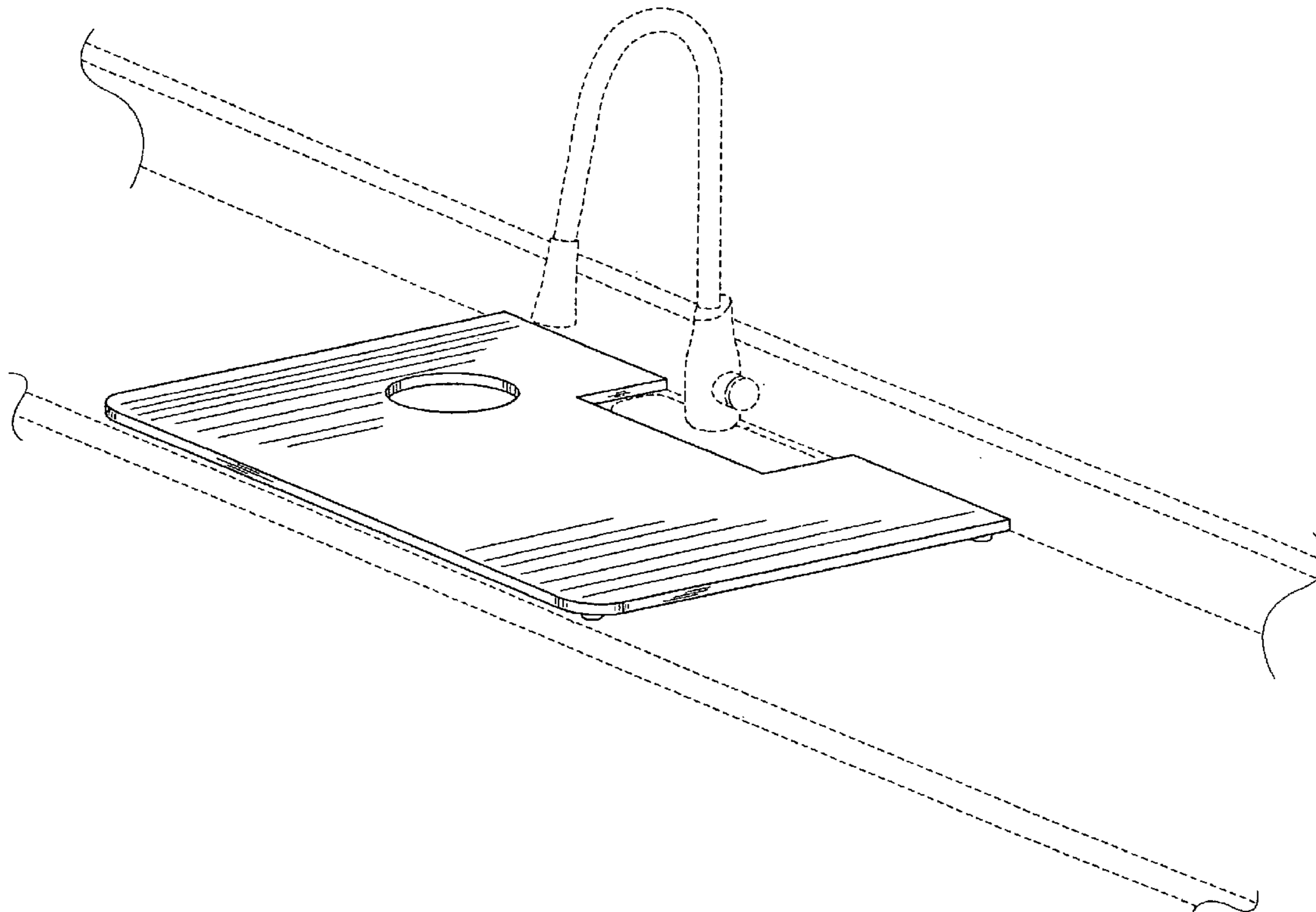
FIG. 5 is a rear view thereof;

FIG. 6 is a right side view thereof; and,

FIG. 7 is a left side view thereof.

The broken lines are for illustrative purposes only and forms
no part of the claimed design.

1 Claim, 6 Drawing Sheets



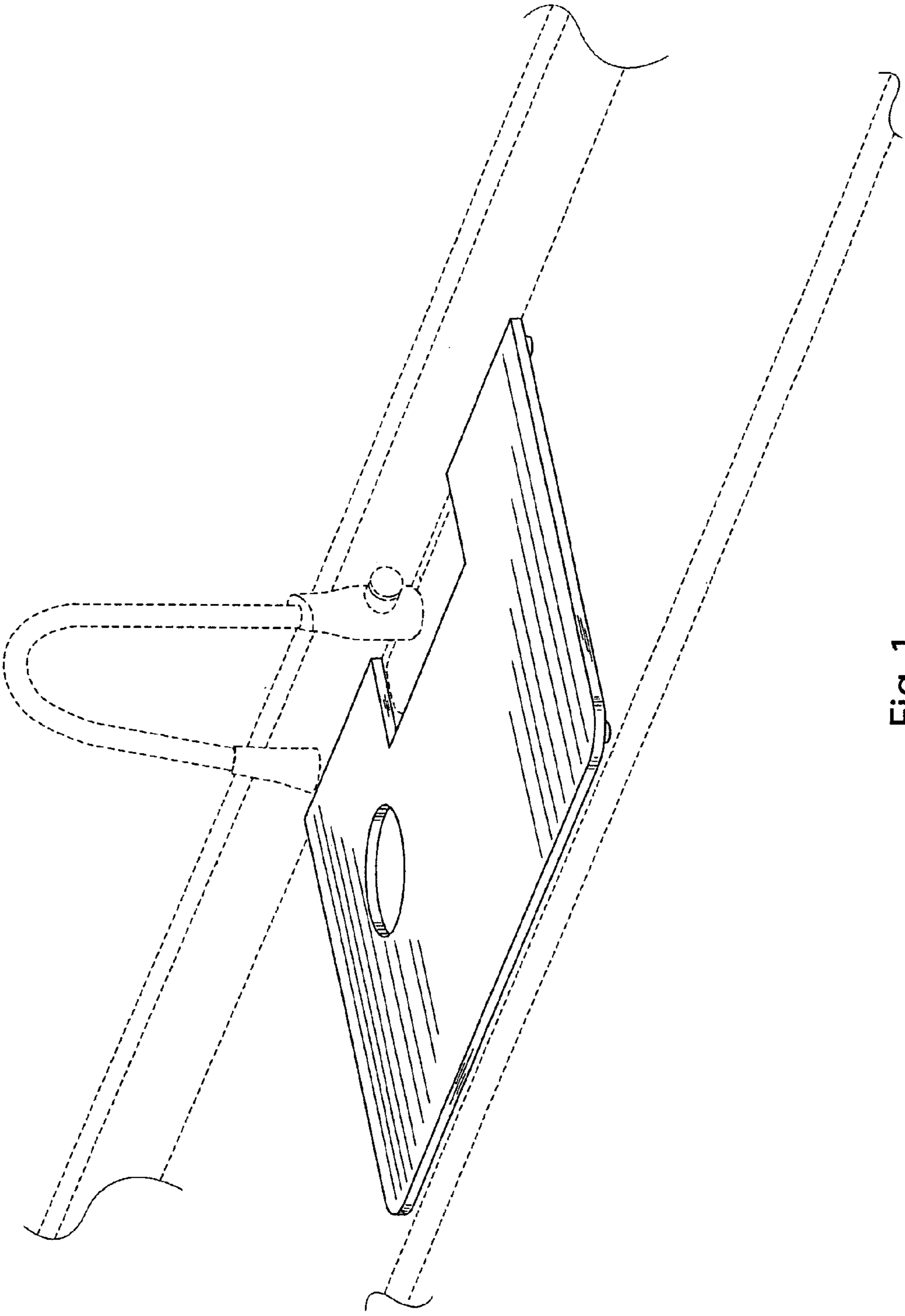


Fig. 1

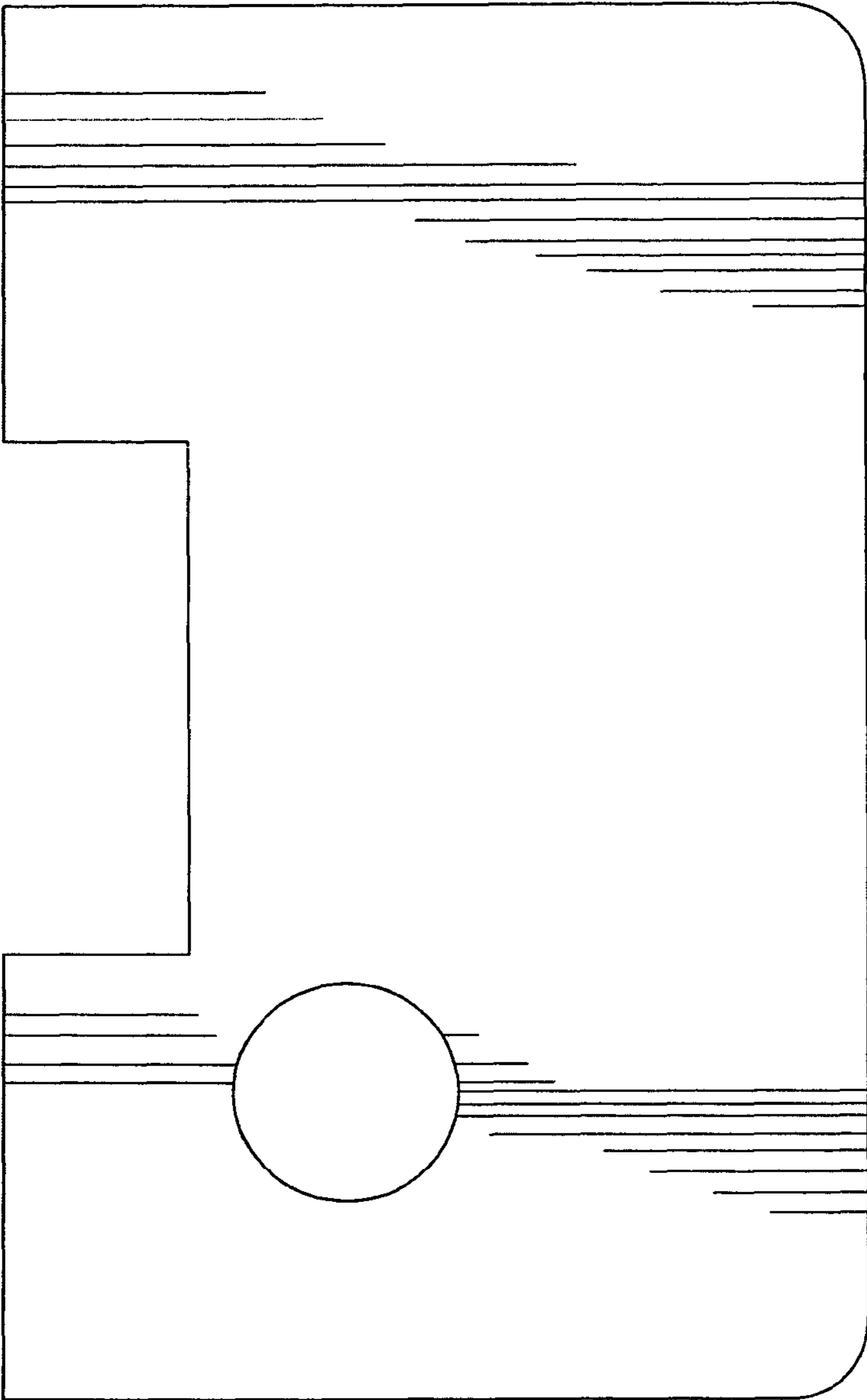


Fig. 2

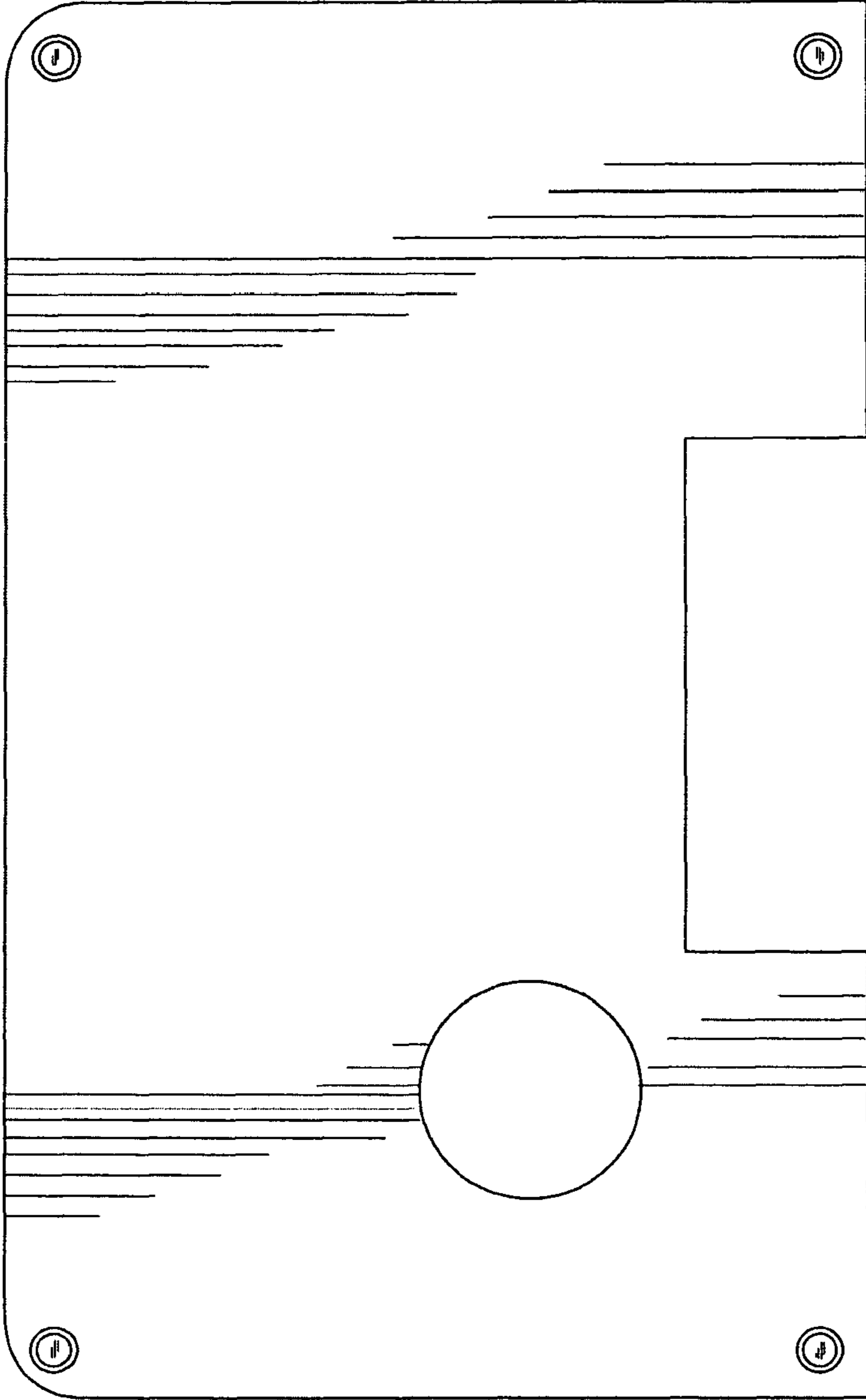


Fig. 3



Fig. 4



Fig. 5



Fig. 6



Fig. 7