



US00D631951S

(12) **United States Design Patent**
Bougher

(10) **Patent No.:** **US D631,951 S**
(45) **Date of Patent:** **** Feb. 1, 2011**

(54) **BATHROOM UTILITY SHELF HANDRAIL COMBO**

Primary Examiner—Brian N Vinson
(74) *Attorney, Agent, or Firm*—QuickPatents, Inc.; Kevin Prince

(76) **Inventor:** **Gertrude Bougher**, 4855 S. Argonne St., Aurora, CO (US) 80015

(57) **CLAIM**

(**) **Term:** **14 Years**

What is claimed is the ornamental design for a bathroom utility shelf handrail combo, as shown and described.

(21) **Appl. No.:** **29/353,922**

(22) **Filed:** **Jan. 15, 2010**

DESCRIPTION

(51) **LOC (9) Cl.** **23-02**

(52) **U.S. Cl.** **D23/303; D6/524**

(58) **Field of Classification Search** D6/410, D6/411, 462, 546, 548, 553, 567, 574, 566, D6/540; D32/58, 59; 242/597.5, 597.7, 242/597.8; 211/13.1, 26, 86.01, 119.004, 211/123, 124, 181.1, 16; 248/127, 153, 175, 248/176.1, 200.1, 302, 309.1; D23/303, D23/304, 280.2; D8/315, 349, 354, 363
See application file for complete search history.

FIG. 1 is a perspective view of a bathroom utility shelf handrail combo, illustrated in a retracted position, showing the new design;

FIG. 2 is a top plan view thereof;

FIG. 3 is a front elevational view thereof;

FIG. 4 is a rear elevational view thereof;

FIG. 5 is a bottom plan view thereof;

FIG. 6 is a left-side elevational view thereof;

FIG. 7 is a right-side elevational view thereof;

FIG. 8 is a bottom perspective view thereof, illustrated in an extended position;

FIG. 9 is a top plan view thereof, illustrated in the extended position;

FIG. 10 is a bottom plan view thereof, illustrated in the extended position; and,

FIG. 11 is a rear elevational view thereof, illustrated in the extended position.

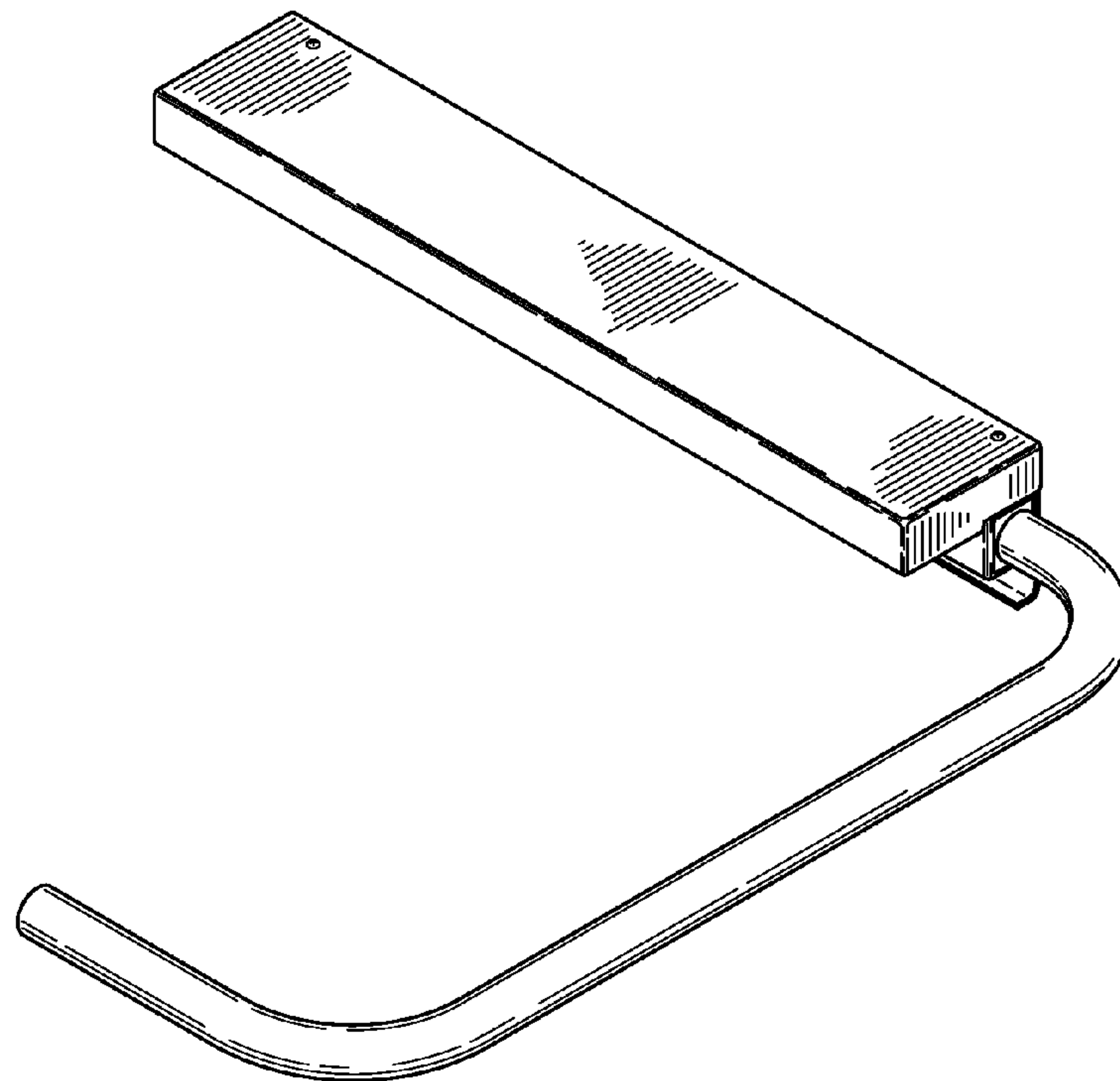
(56) **References Cited**

U.S. PATENT DOCUMENTS

D379,218 S *	5/1997	Neufeld et al.	D23/304
D540,593 S *	4/2007	Hoernig	D6/523
D541,391 S *	4/2007	Sladick et al.	D23/303
D550,489 S *	9/2007	Williams et al.	D6/523
D559,602 S *	1/2008	Bickler et al.	D6/549
D559,605 S *	1/2008	Kramer	D6/574
D576,435 S *	9/2008	Snell	D6/522

* cited by examiner

1 Claim, 5 Drawing Sheets



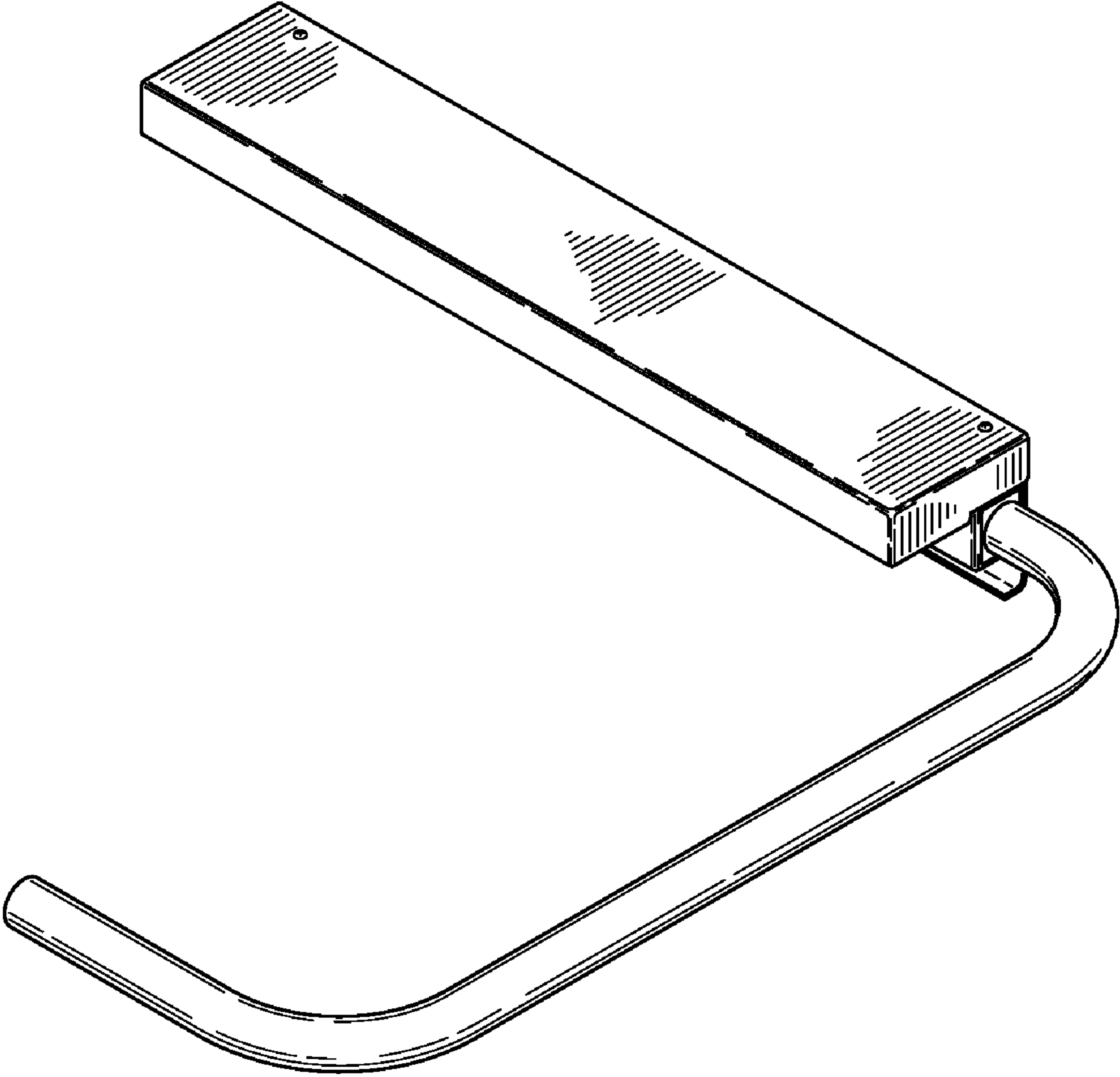


FIG. 1

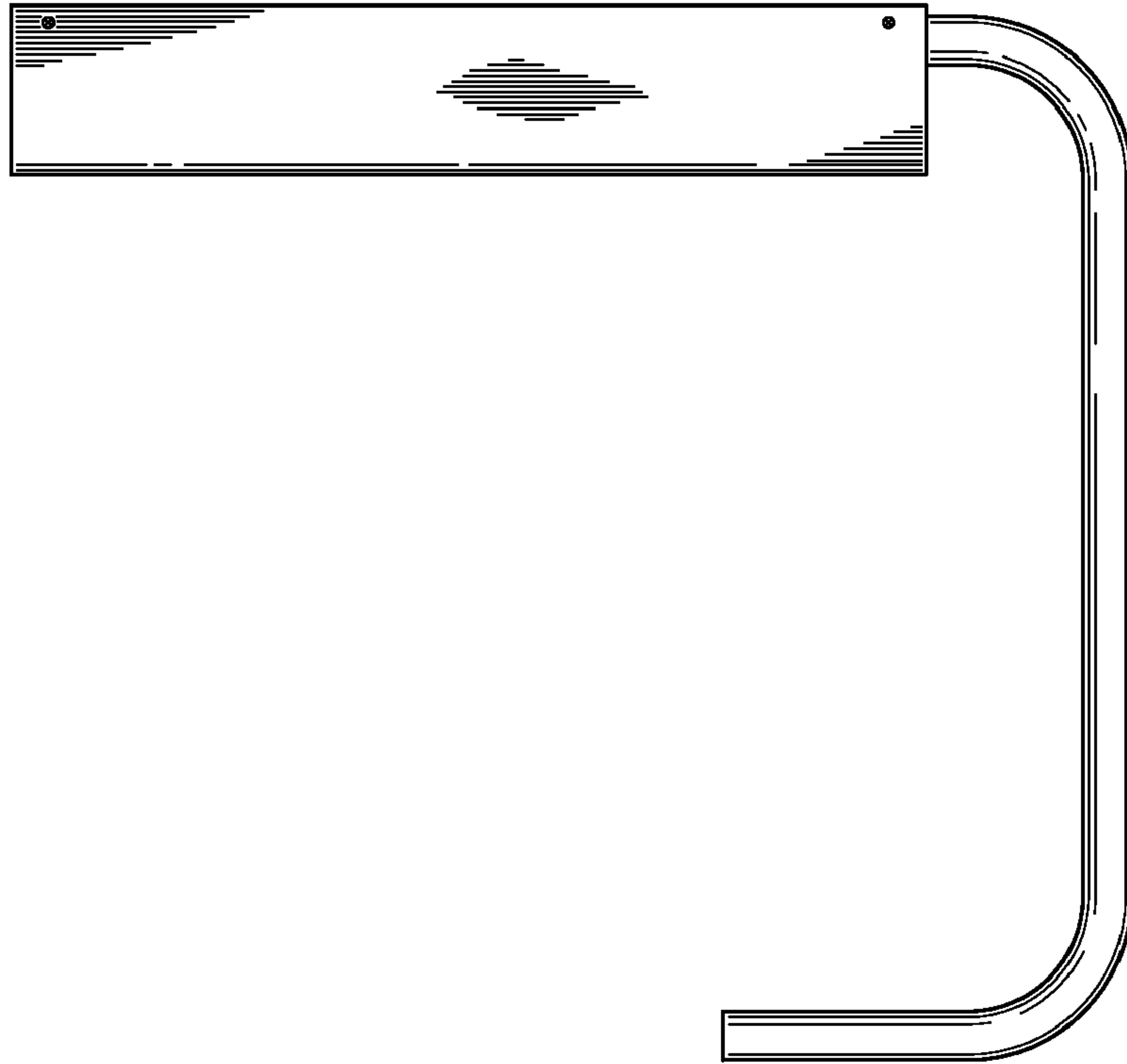


FIG. 2

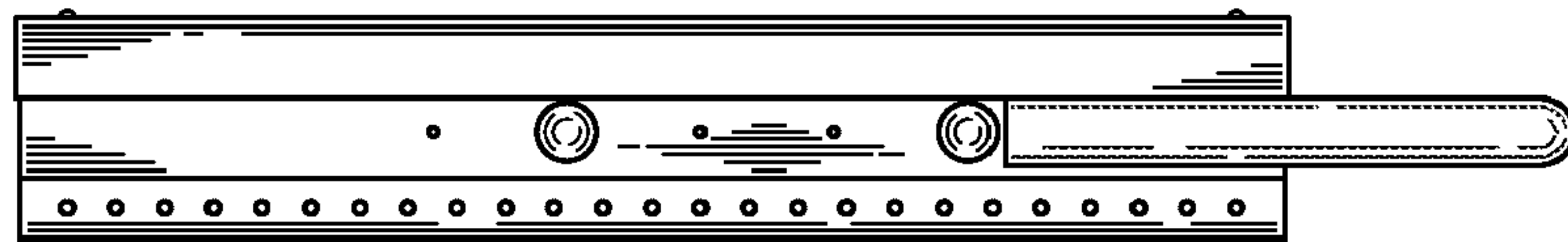


FIG. 3

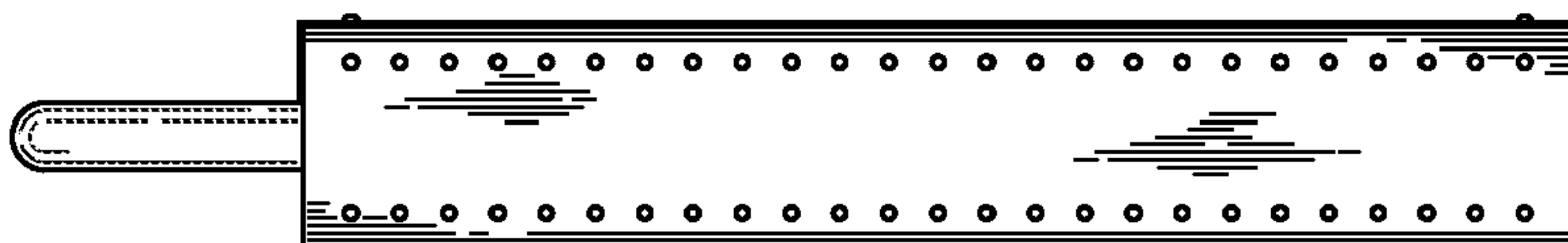


FIG. 4

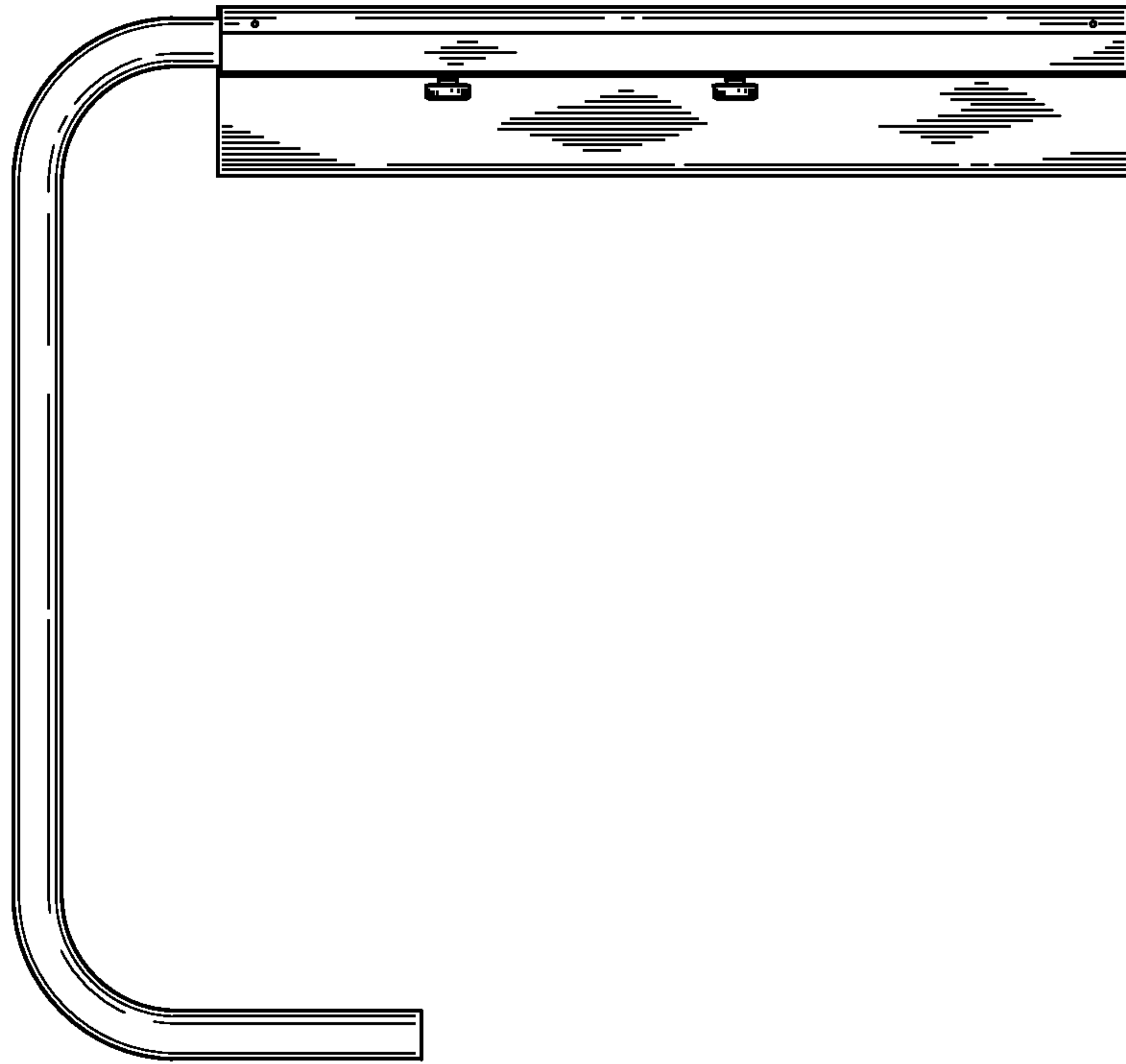


FIG. 5

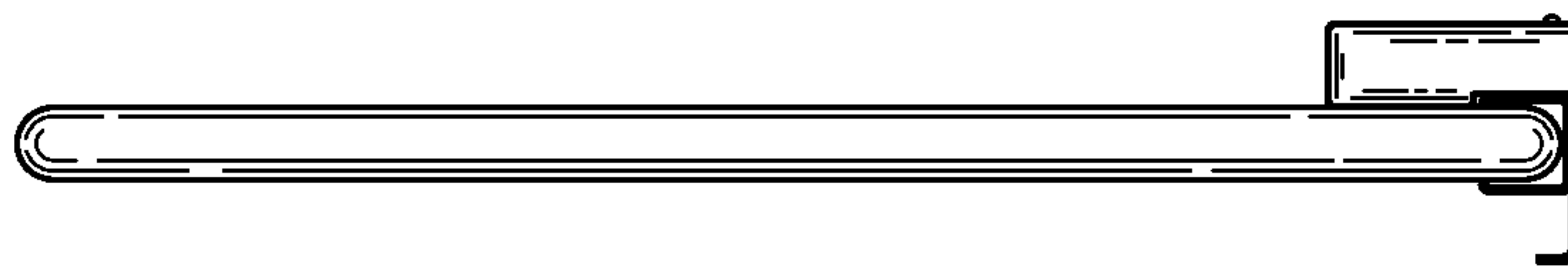


FIG. 6

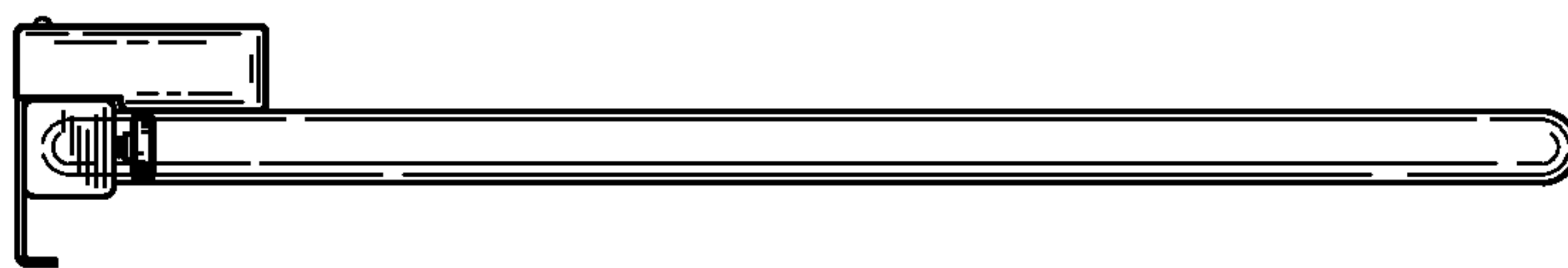


FIG. 7

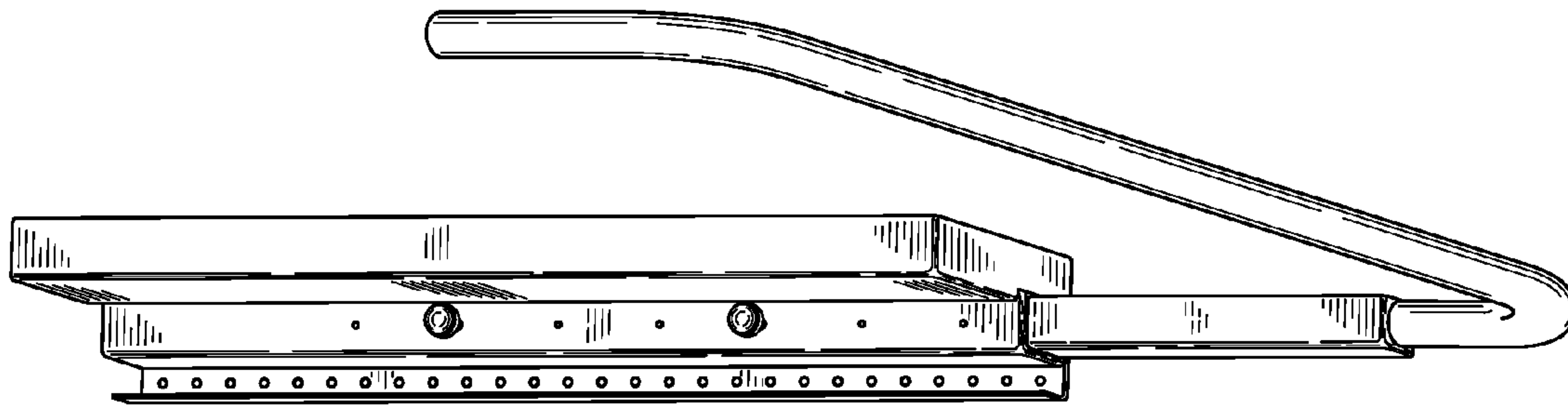


FIG. 8

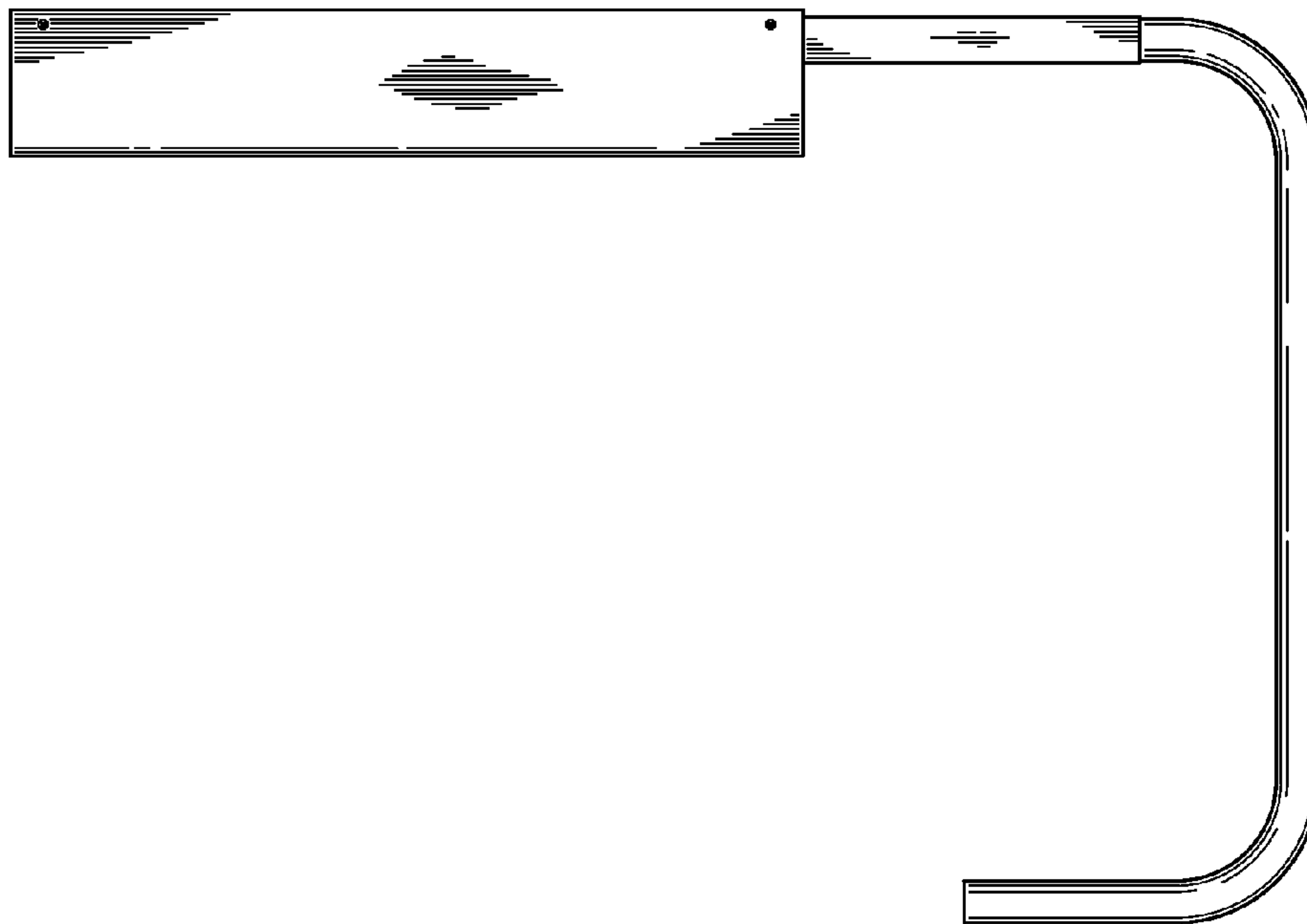


FIG. 9

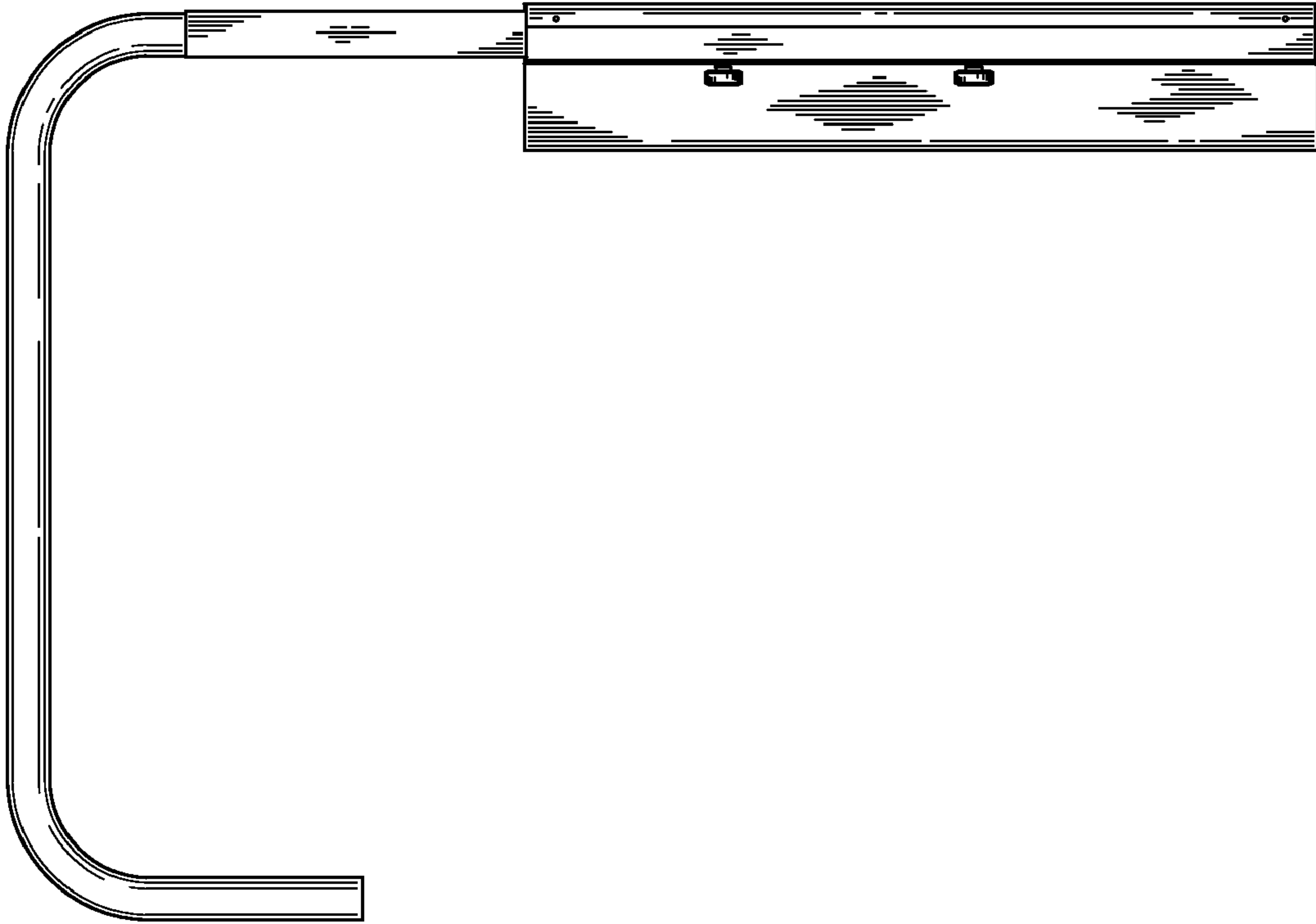


FIG. 10

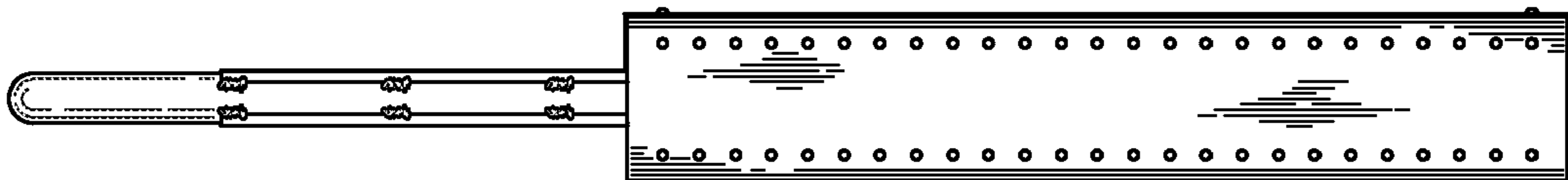


FIG. 11