



US00D631947S

(12) **United States Design Patent**
Obara

(10) **Patent No.:** **US D631,947 S**

(45) **Date of Patent:** **** Feb. 1, 2011**

(54) **SPOUT**

(75) Inventor: **Mitsuya Obara**, Fukuoka (JP)

(73) Assignee: **Toto Ltd.**, Kitakyushu-Shi (JP)

(**) Term: **14 Years**

(21) Appl. No.: **29/342,370**

(22) Filed: **Aug. 24, 2009**

(30) **Foreign Application Priority Data**

Feb. 25, 2009 (JP) 2009-003915
Feb. 25, 2009 (JP) 2009-003916

(51) **LOC (9) Cl.** **23-01**

(52) **U.S. Cl.** **D23/255**

(58) **Field of Classification Search** D23/238–243,
D23/255–257; 4/676–678; 137/801
See application file for complete search history.

(56) **References Cited**

U.S. PATENT DOCUMENTS

D527,794 S * 9/2006 Sieger D23/238
D580,016 S * 11/2008 Downey D23/238
D580,527 S * 11/2008 Zhang D23/255
D582,525 S * 12/2008 Downey D23/255

D607,545 S * 1/2010 Obara D23/255

* cited by examiner

Primary Examiner—Robert A Delehanty

(74) *Attorney, Agent, or Firm*—Birch, Stewart, Kolasch & Birch, LLP

(57) **CLAIM**

The ornamental design for a spout, as shown and described.

DESCRIPTION

FIG. 1 is a perspective view of the top, front and right side of a spout showing our new design;

FIG. 2 is a front view thereof;

FIG. 3 is a rear view thereof;

FIG. 4 is left side view thereof;

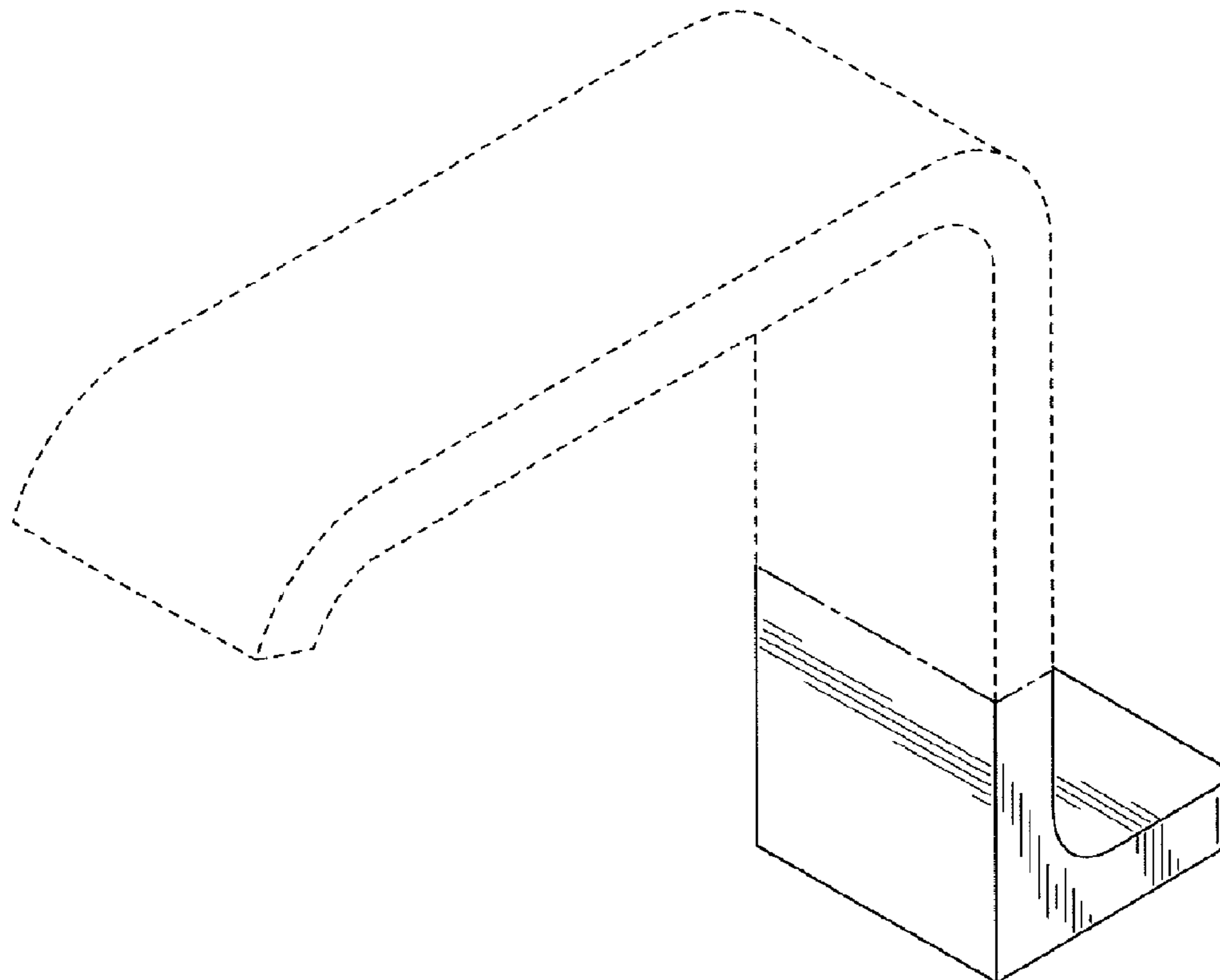
FIG. 5 is a right side view thereof;

FIG. 6 is a top plan view thereof; and,

FIG. 7 is a bottom view thereof.

The portion of the article in broken lines are shown for illustrative purposes only and form no part of the claimed design. Chain line shows the border between the part which is claimed for design registration and the other part.

1 Claim, 3 Drawing Sheets



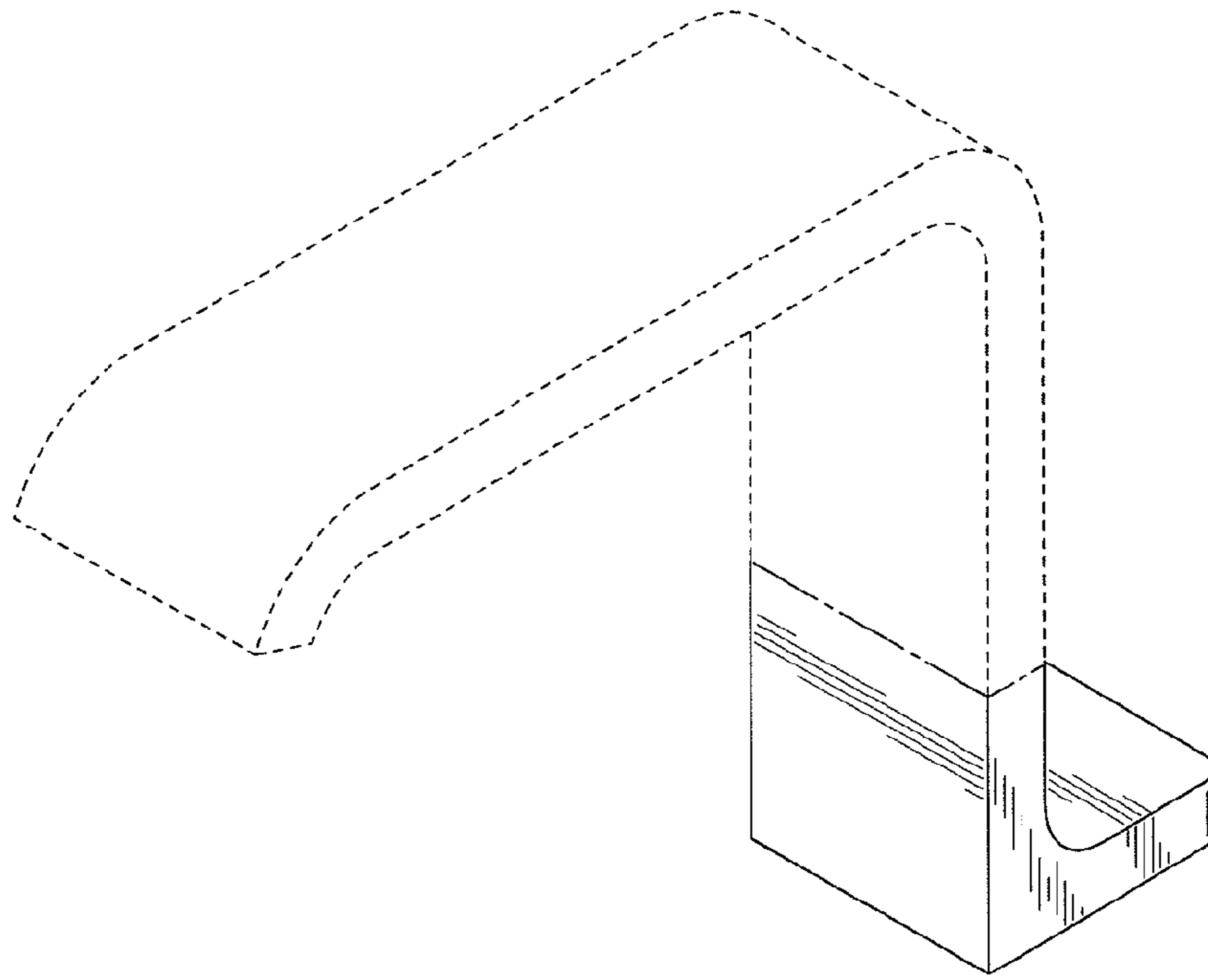


FIG. 1

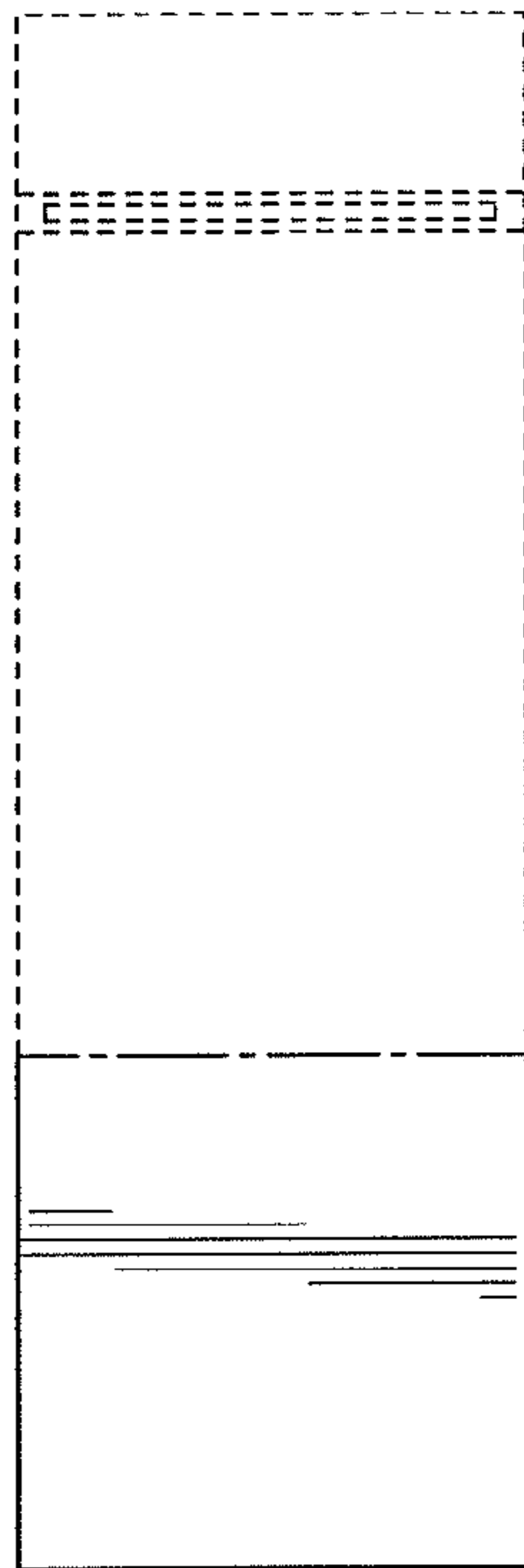


FIG. 2

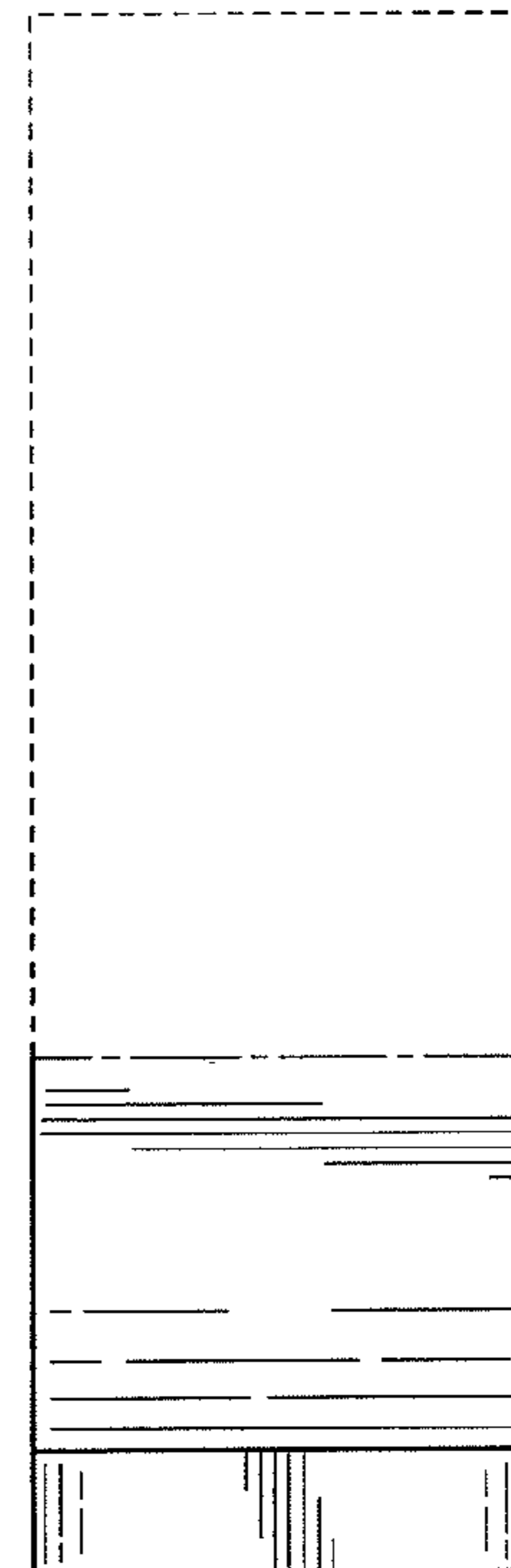


FIG. 3

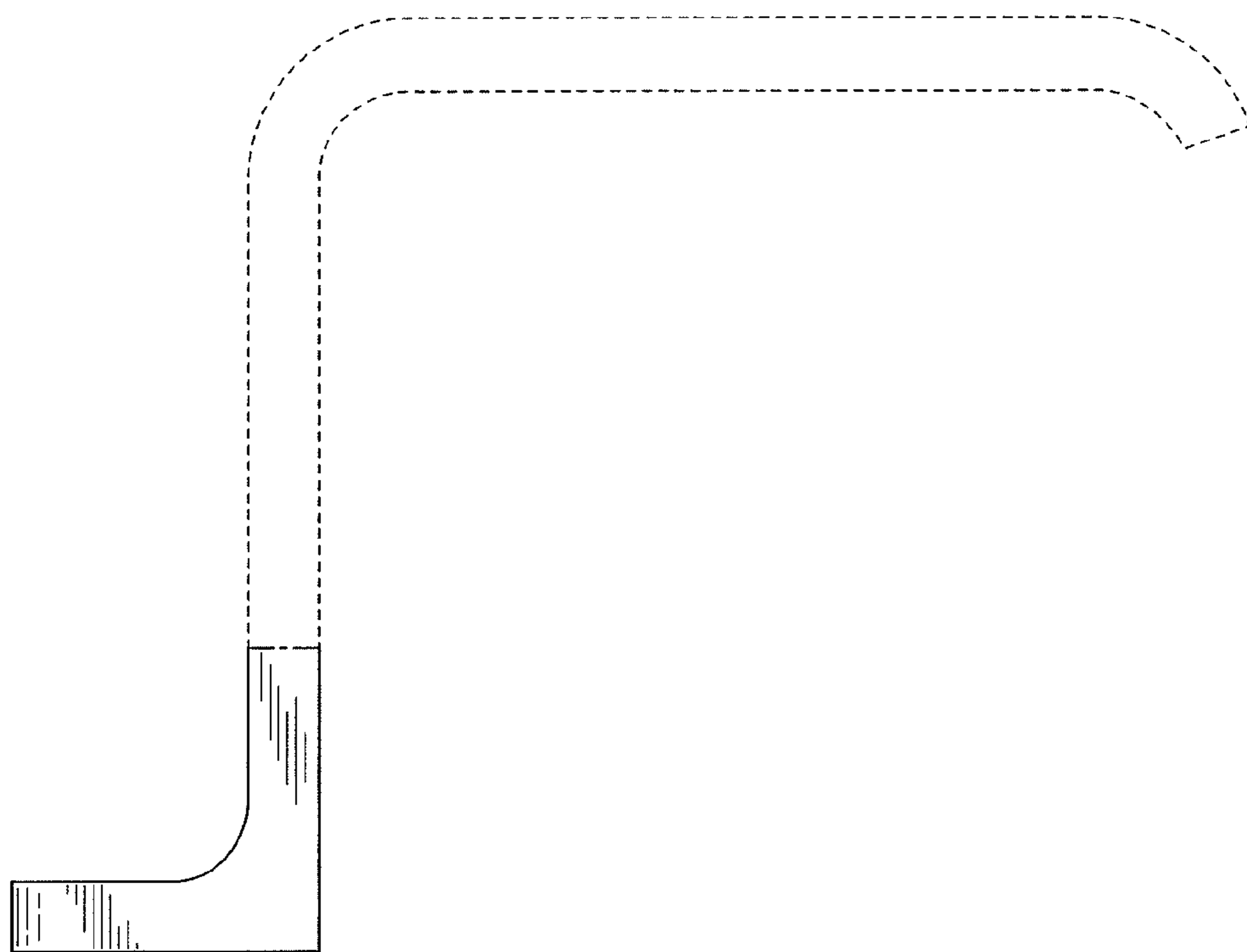


FIG. 4

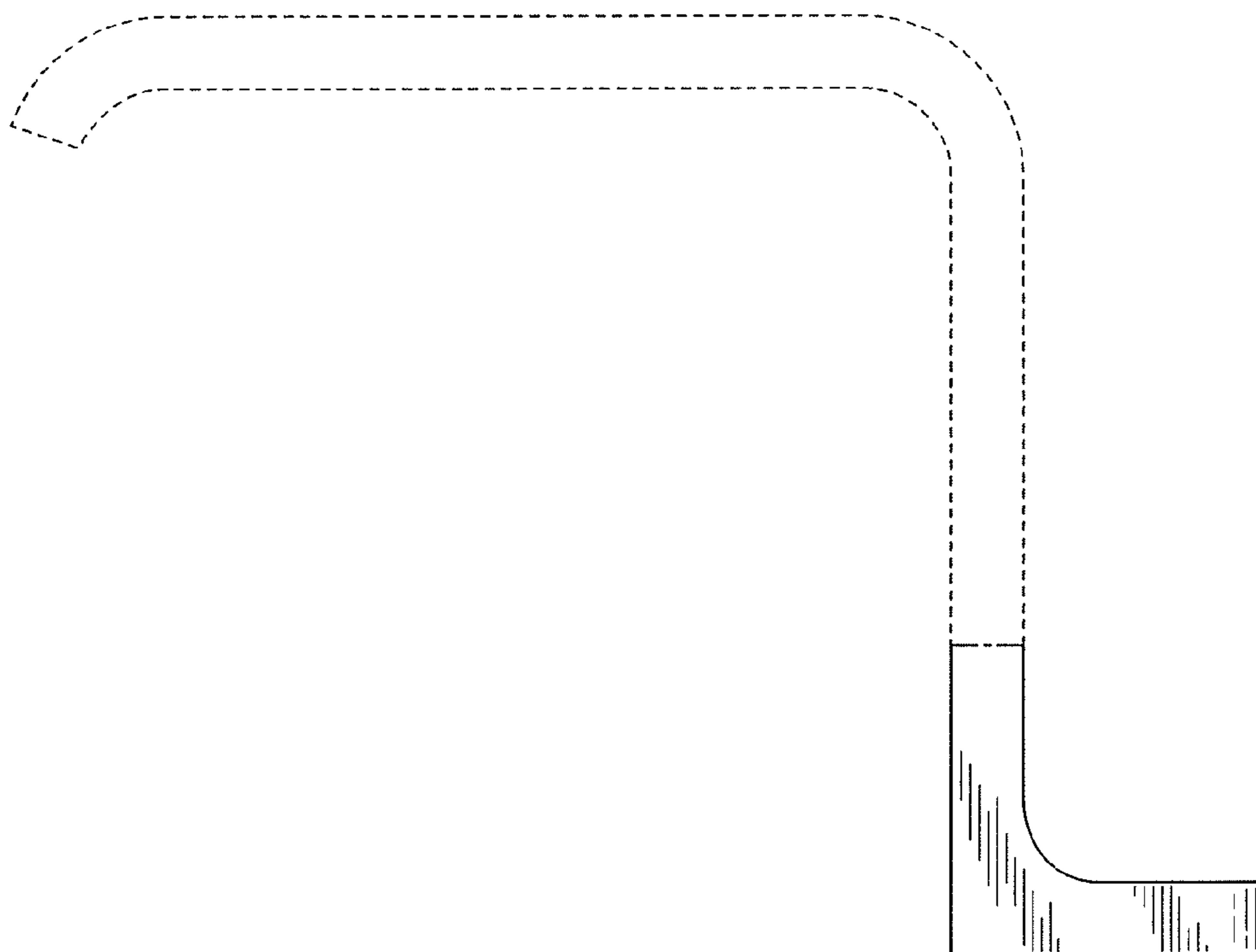


FIG. 5

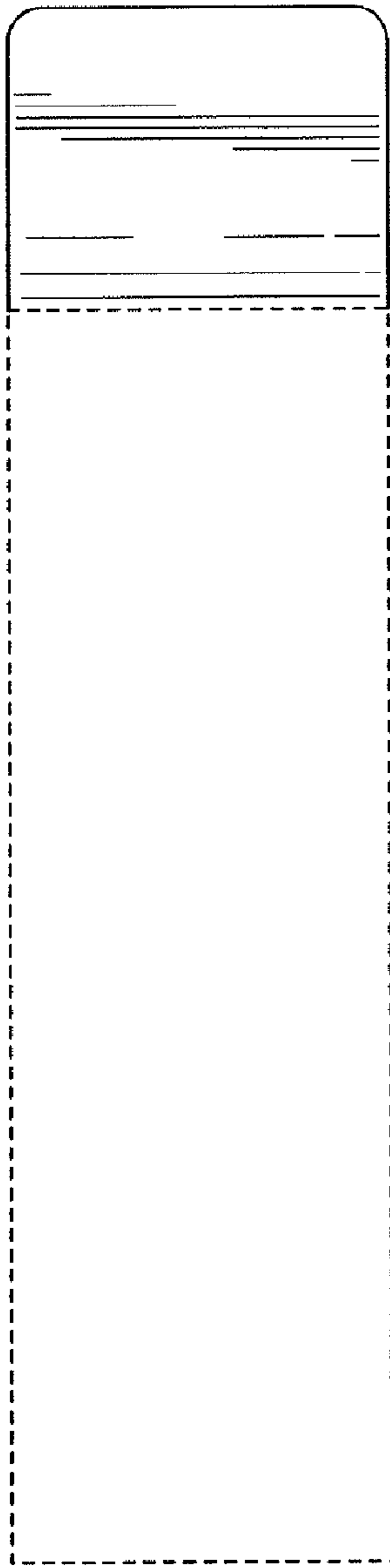


FIG. 6

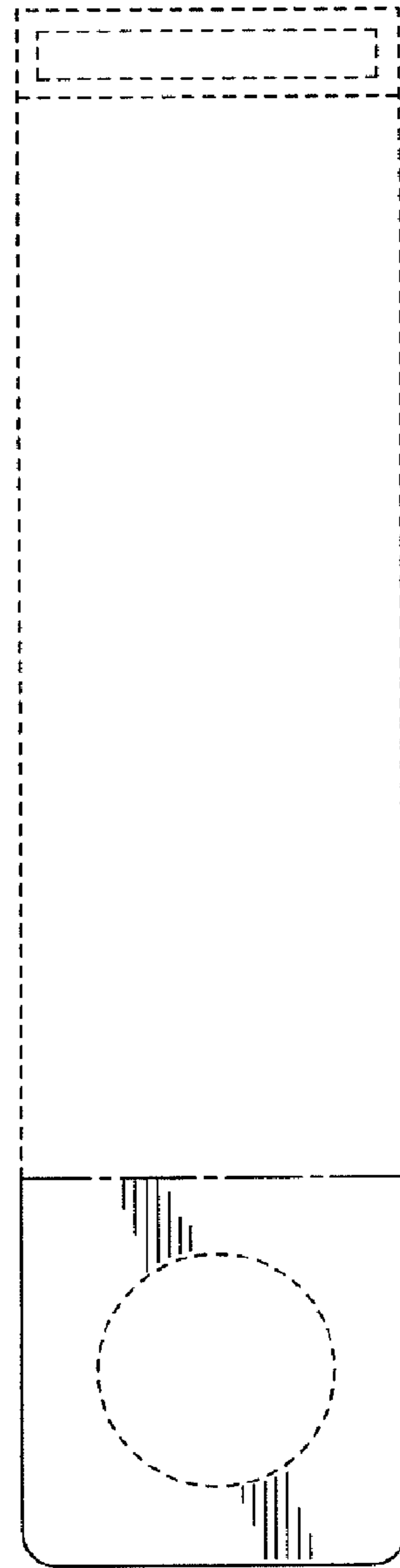


FIG. 7