



US00D631944S

(12) **United States Design Patent**
Karmel et al.

(10) **Patent No.:** **US D631,944 S**

(45) **Date of Patent:** **** Feb. 1, 2011**

(54) **INTERRUPTER FOR IRRIGATION CONTROLLER**

(74) *Attorney, Agent, or Firm*—Clause Eight IPS; Michael Catania

(75) Inventors: **Clayton R. Karmel**, San Diego, CA (US); **John Hubble**, San Diego, CA (US)

(57) **CLAIM**

The ornamental design for an interrupter for irrigation controller, as shown and described.

(73) Assignee: **Green Badge, LLC**, King of Prussia, PA (US)

(**) Term: **14 Years**

DESCRIPTION

(21) Appl. No.: **29/331,794**

FIG. 1 is a top perspective view of an interrupter for an irrigation controller of the present invention with a front panel closed.

(22) Filed: **Feb. 1, 2009**

FIG. 2 is a rear plan view of the interrupter for an irrigation controller of FIG. 1.

(51) **LOC (9) Cl.** **23-01**

(52) **U.S. Cl.** **D23/233**

(58) **Field of Classification Search** D23/233–237; D10/85, 102, 103; 73/431, 715–722, 732–733; 200/83 B, 83 C, 83 L; 324/110–116, 119; 340/626, 688; 250/231.11

FIG. 3 is a front plan view of the interrupter for an irrigation controller of FIG. 1.

FIG. 4 is a side view of the interrupter for an irrigation controller of FIG. 1.

See application file for complete search history.

FIG. 5 is a top plan view of the interrupter for an irrigation controller of FIG. 1.

(56) **References Cited**

U.S. PATENT DOCUMENTS

D526,922 S * 8/2006 Stowers et al. D10/103

D568,776 S * 5/2008 Hall et al. D10/103

D607,356 S * 1/2010 Moon et al. D10/85

D612,277 S * 3/2010 Cain et al. D10/85

FIG. 6 is a top perspective view of an interrupter for an irrigation controller of the present invention with a front panel open; and,

FIG. 7 is a front plan view of the interrupter for an irrigation controller of FIG. 6.

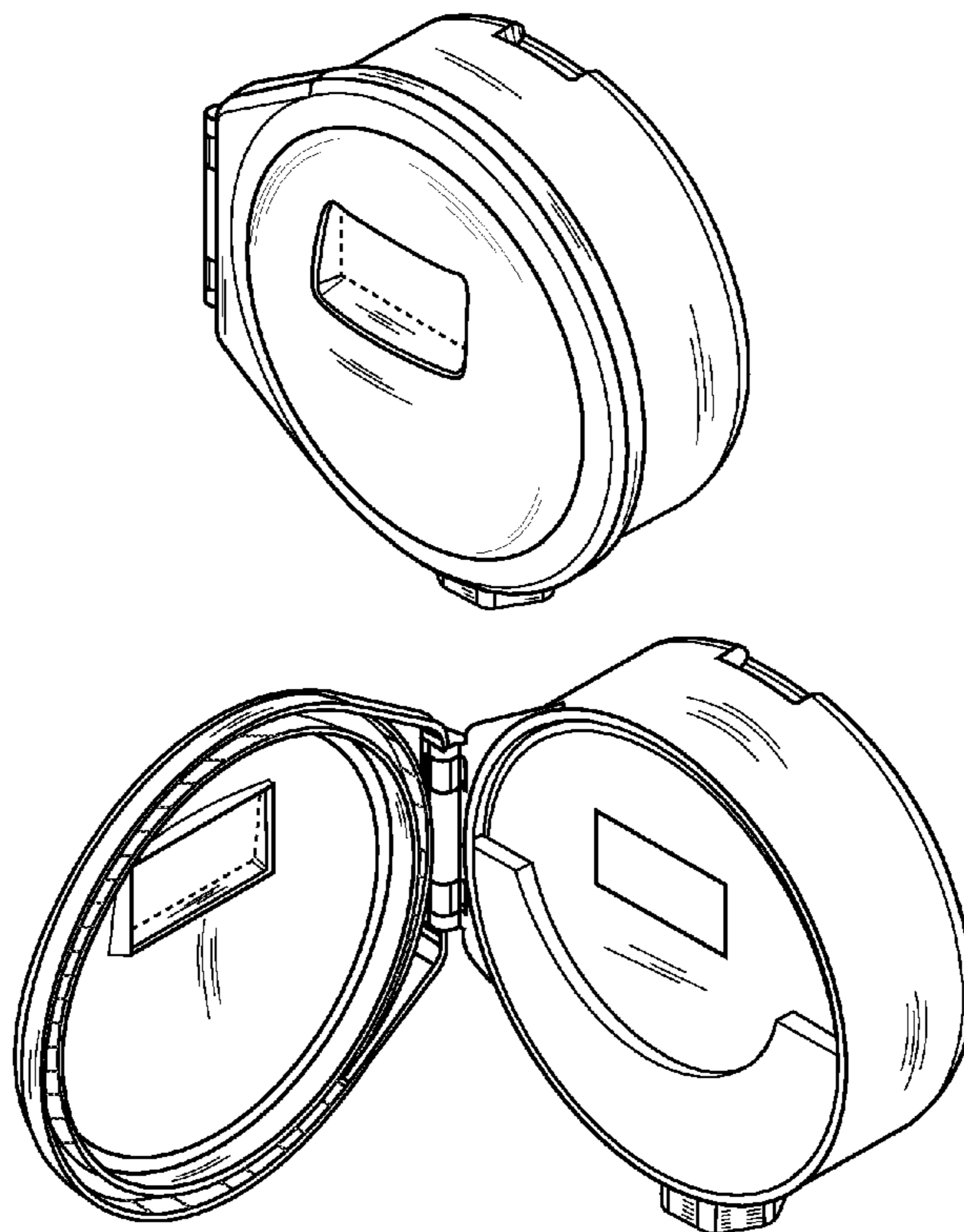
The broken line showing of unclaimed portions of the interrupter for irrigation controller forms no part of the claimed design.

* cited by examiner

Primary Examiner—Cathron C. Brooks

Assistant Examiner—Maurice Stevens

1 Claim, 2 Drawing Sheets



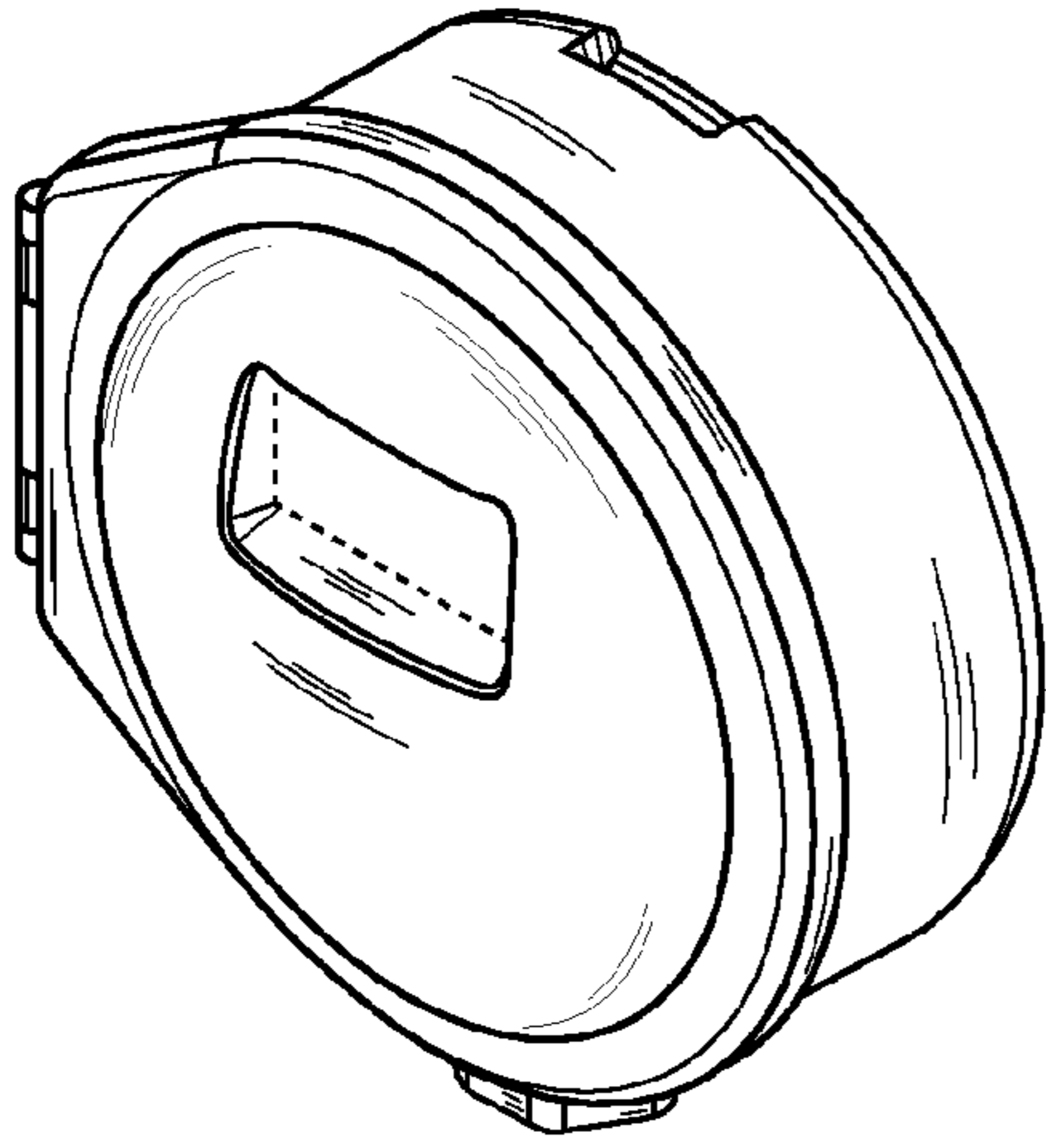


FIG. 1

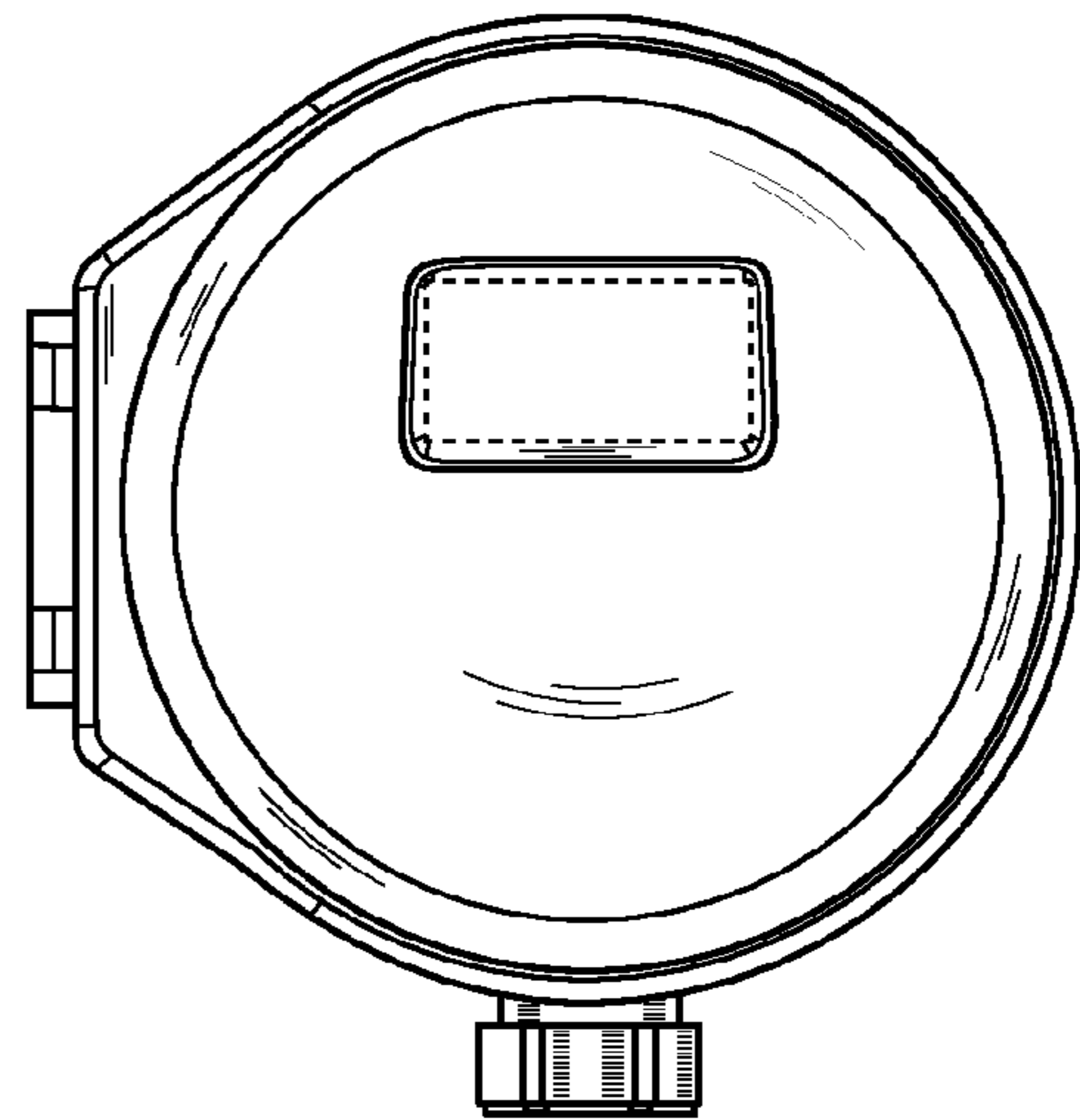


FIG. 2

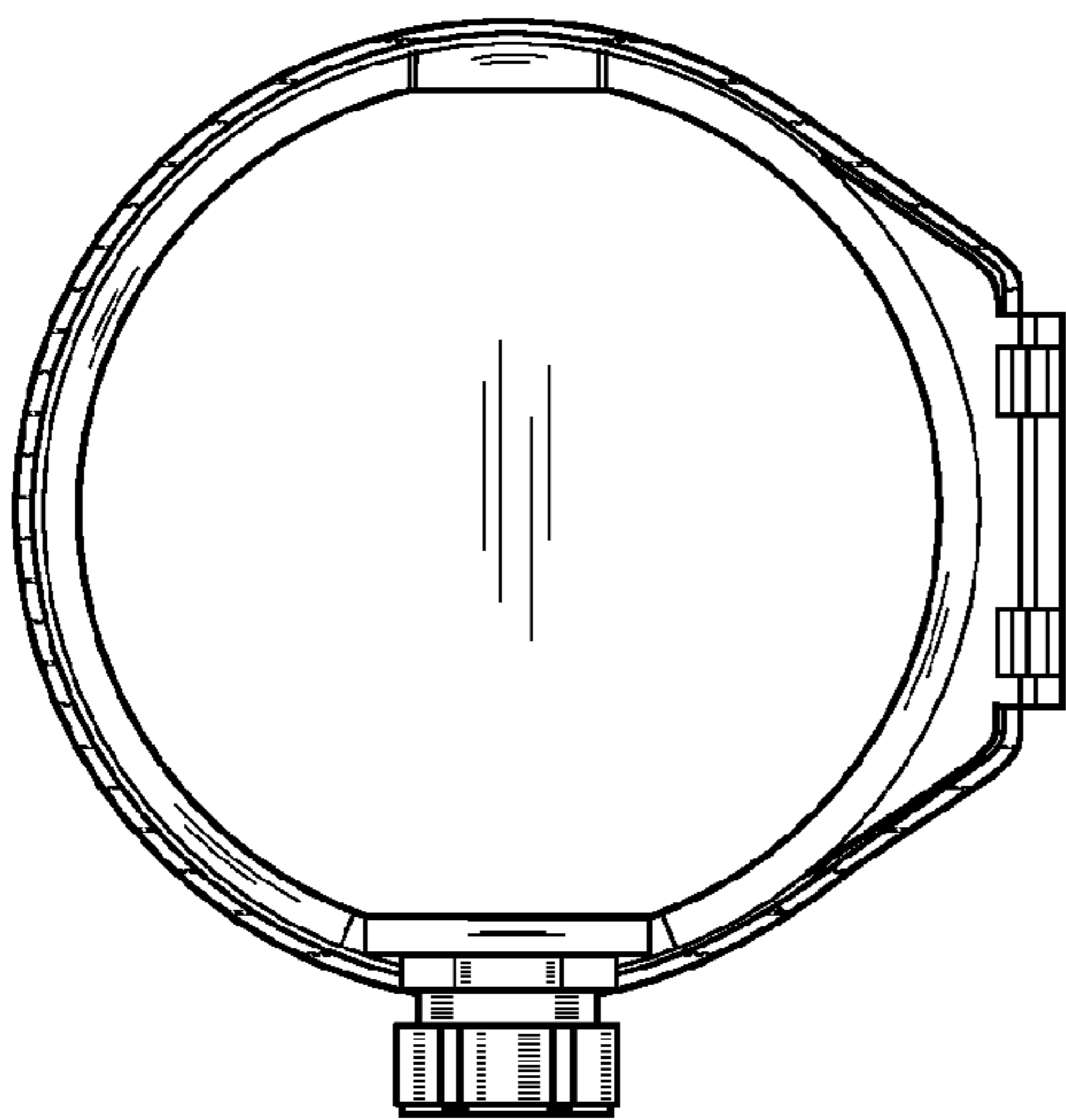


FIG. 3

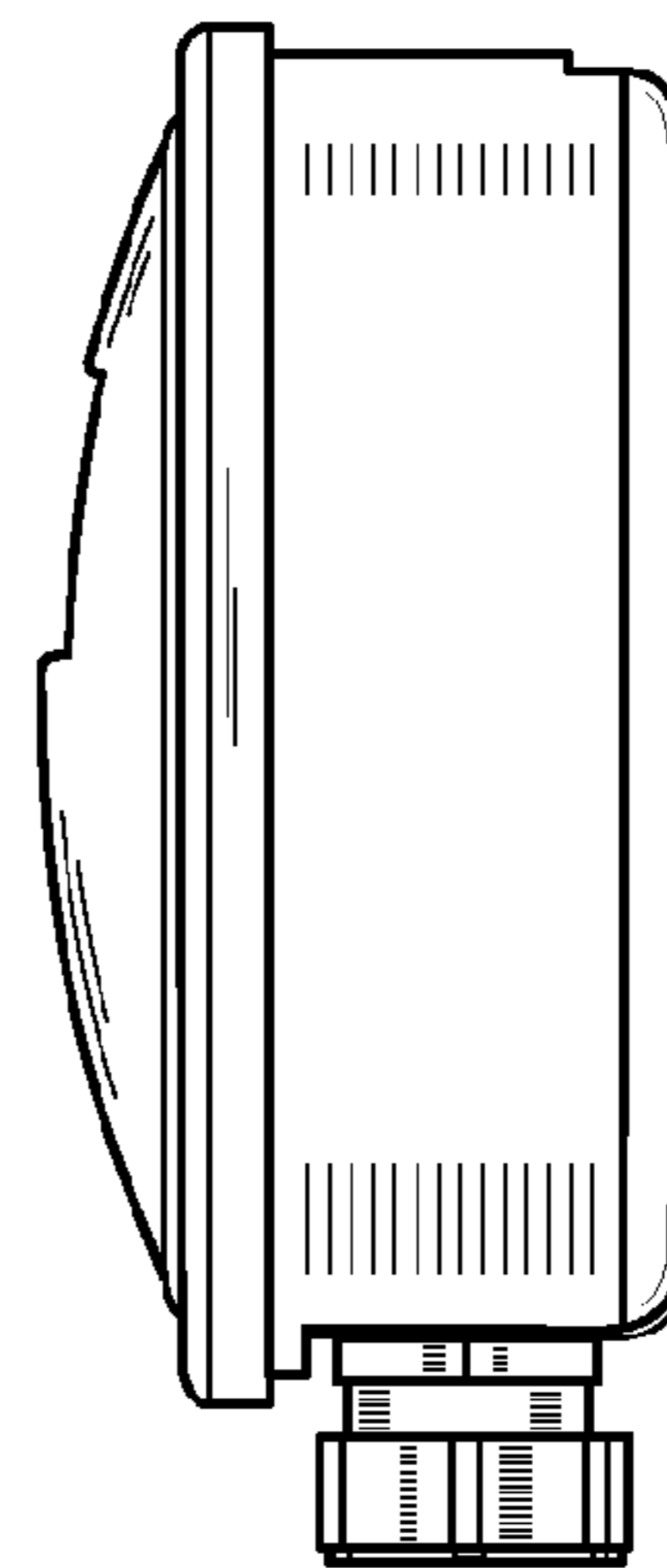


FIG. 4

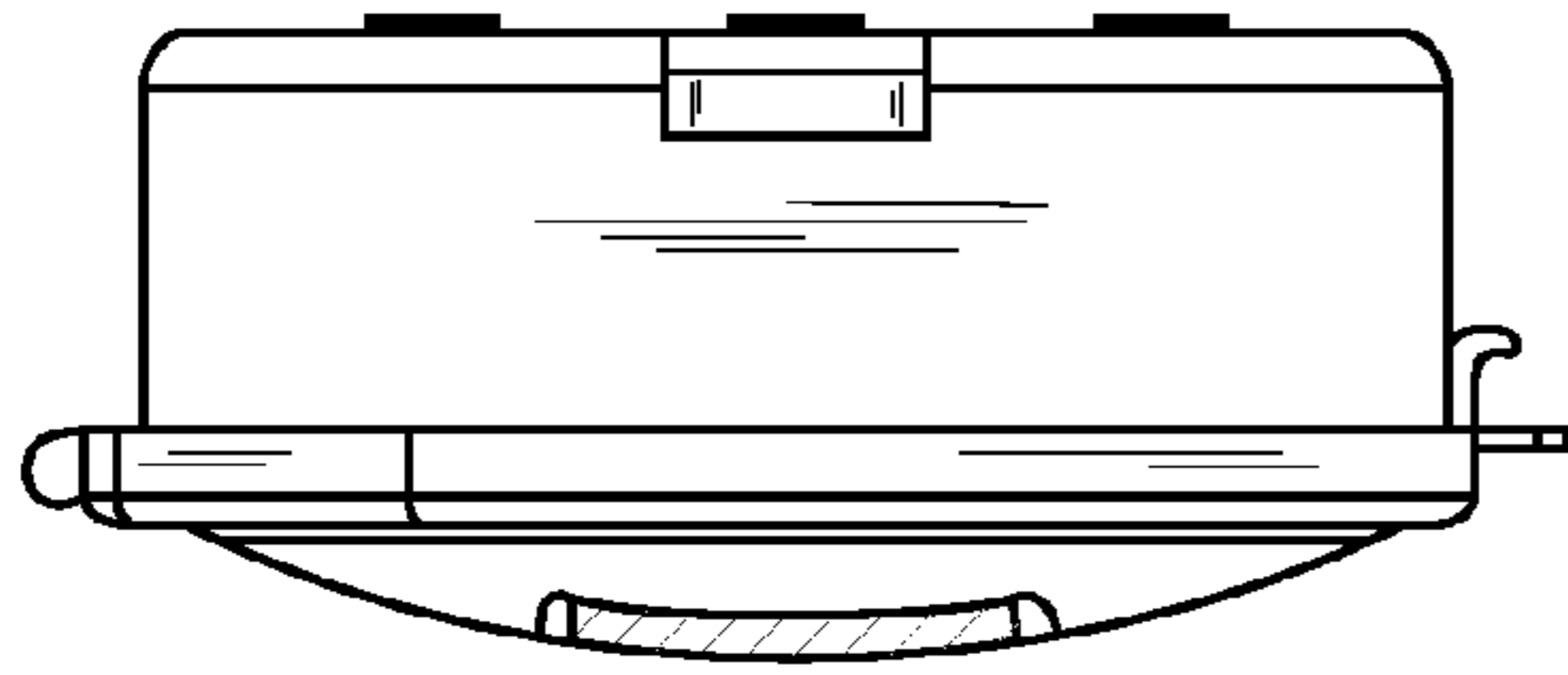


FIG. 5

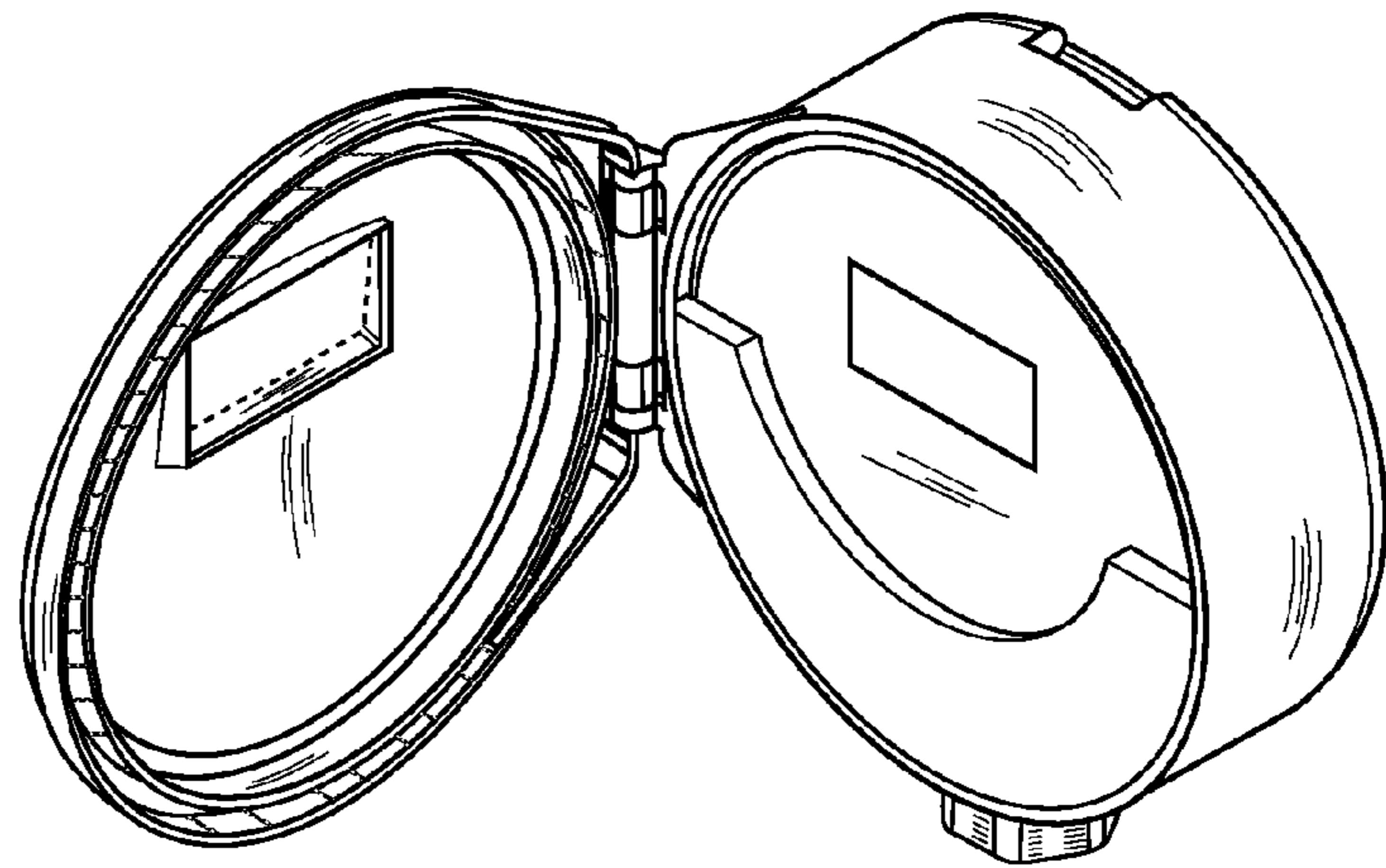


FIG. 6

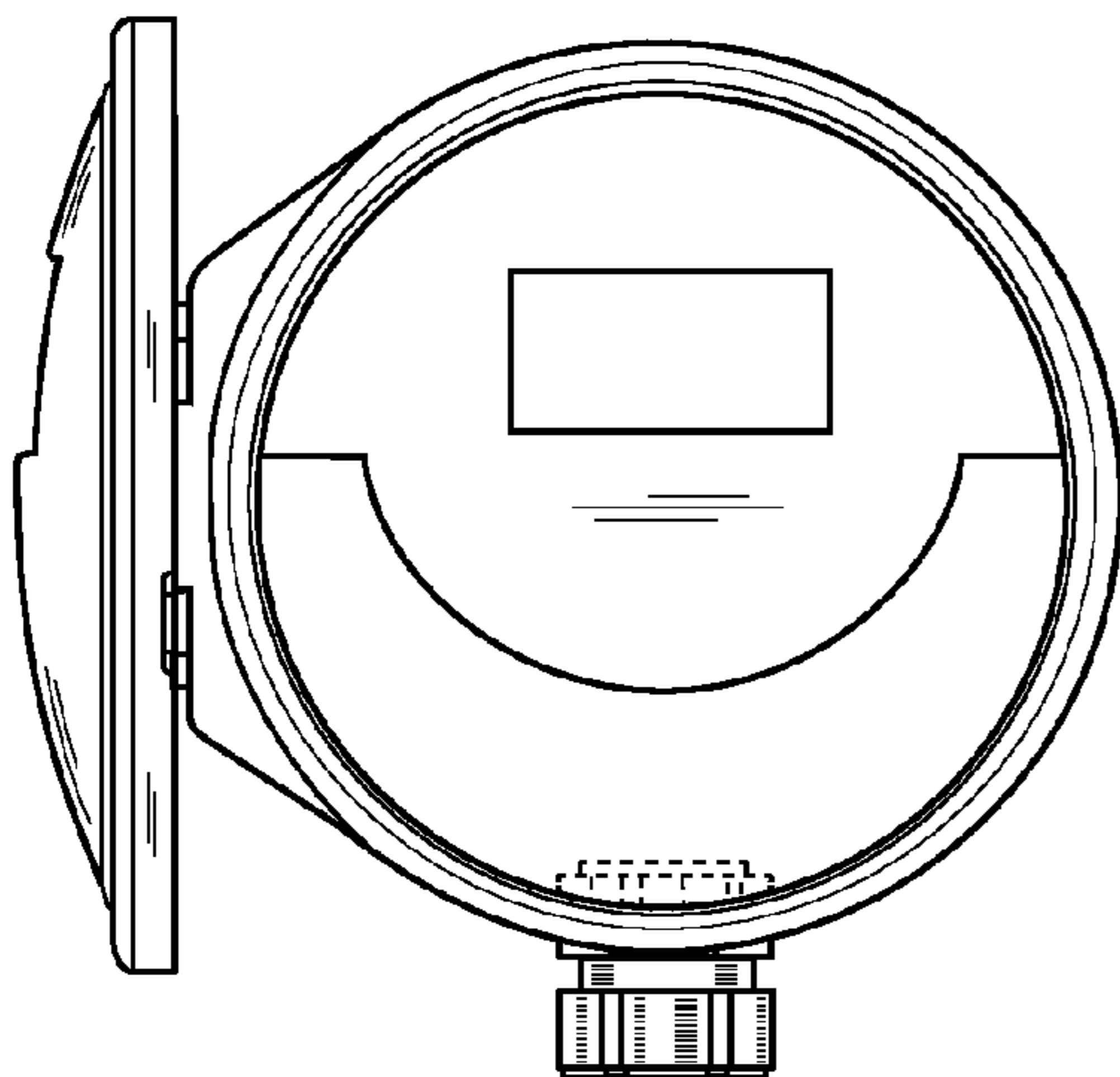


FIG. 7