



US00D631943S

(12) **United States Design Patent**  
**Koike et al.**

(10) **Patent No.:** **US D631,943 S**  
(45) **Date of Patent:** **\*\* Feb. 1, 2011**

(54) **TANK ELEMENT**

(75) Inventors: **Atsushi Koike**, Ageo (JP); **Toshimi Nakamura**, Ageo (JP); **Kenjiro Izutani**, Ageo (JP)

(73) Assignee: **Mitsui Mining & Smelting Co., Ltd.**, Tokyo (JP)

(\*\*) Term: **14 Years**

(21) Appl. No.: **29/322,541**

(22) Filed: **Aug. 6, 2008**

(30) **Foreign Application Priority Data**

Feb. 7, 2008 (JP) ..... 2008-002666  
Feb. 7, 2008 (JP) ..... 2008-002668

(51) **LOC (9) Cl.** ..... **23-01**

(52) **U.S. Cl.** ..... **D23/233; D15/5**

(58) **Field of Classification Search** ..... D23/233,  
D23/235, 245; D15/1, 3, 5; 137/596.13,  
137/597

See application file for complete search history.

(56) **References Cited**

**U.S. PATENT DOCUMENTS**

D498,820 S \* 11/2004 Fukai ..... D23/249  
D513,786 S \* 1/2006 Montano et al. .... D23/233  
D557,283 S \* 12/2007 Miller et al. .... D15/5  
D557,284 S \* 12/2007 Miller et al. .... D15/5  
D570,880 S \* 6/2008 Miller et al. .... D15/5  
7,469,708 B2 \* 12/2008 Koester ..... 137/269  
D591,309 S \* 4/2009 Bobby et al. .... D15/5  
D606,163 S \* 12/2009 Bobby et al. .... D23/233  
D607,087 S \* 12/2009 Bobby et al. .... D23/233  
D622,735 S \* 8/2010 Bobby et al. .... D15/5  
2008/0184775 A1 8/2008 Yamagishi et al.

**FOREIGN PATENT DOCUMENTS**

JP 11153561 A 6/1999  
JP 1073985 S 6/2000  
JP 1073986 S 6/2000  
JP 1074132 S 6/2000  
JP 1074133 S 6/2000

JP 1084914 S 9/2000  
JP 2007225609 A 9/2007

\* cited by examiner

*Primary Examiner*—Cathron C. Brooks

*Assistant Examiner*—Maurice Stevens

(74) *Attorney, Agent, or Firm*—The Webb Law Firm

(57) **CLAIM**

The ornamental design for a tank element, as shown and described.

**DESCRIPTION**

FIG. 1 is a front view of the tank element showing the new design;

FIG. 2 is a top view of FIG. 1;

FIG. 3 is a bottom view of FIG. 1;

FIG. 4 is a right side view of FIG. 1;

FIG. 5 is a left side view of FIG. 1;

FIG. 6 is a perspective view of the tank element of FIG. 1 disposed on the lower front surface of a tank;

FIG. 7 is a front view of FIG. 6;

FIG. 8 is a top view of FIG. 6;

FIG. 9 is a bottom view of FIG. 6;

FIG. 10 is a back view of FIG. 6;

FIG. 11 is a right side view of FIG. 6;

FIG. 12 is a left side view of FIG. 6;

FIG. 13 is a perspective view of the tank element of FIG. 1 disposed on the center front surface of a tank;

FIG. 14 is a front view of FIG. 13;

FIG. 15 is a top view of FIG. 13;

FIG. 16 is a bottom view of FIG. 13;

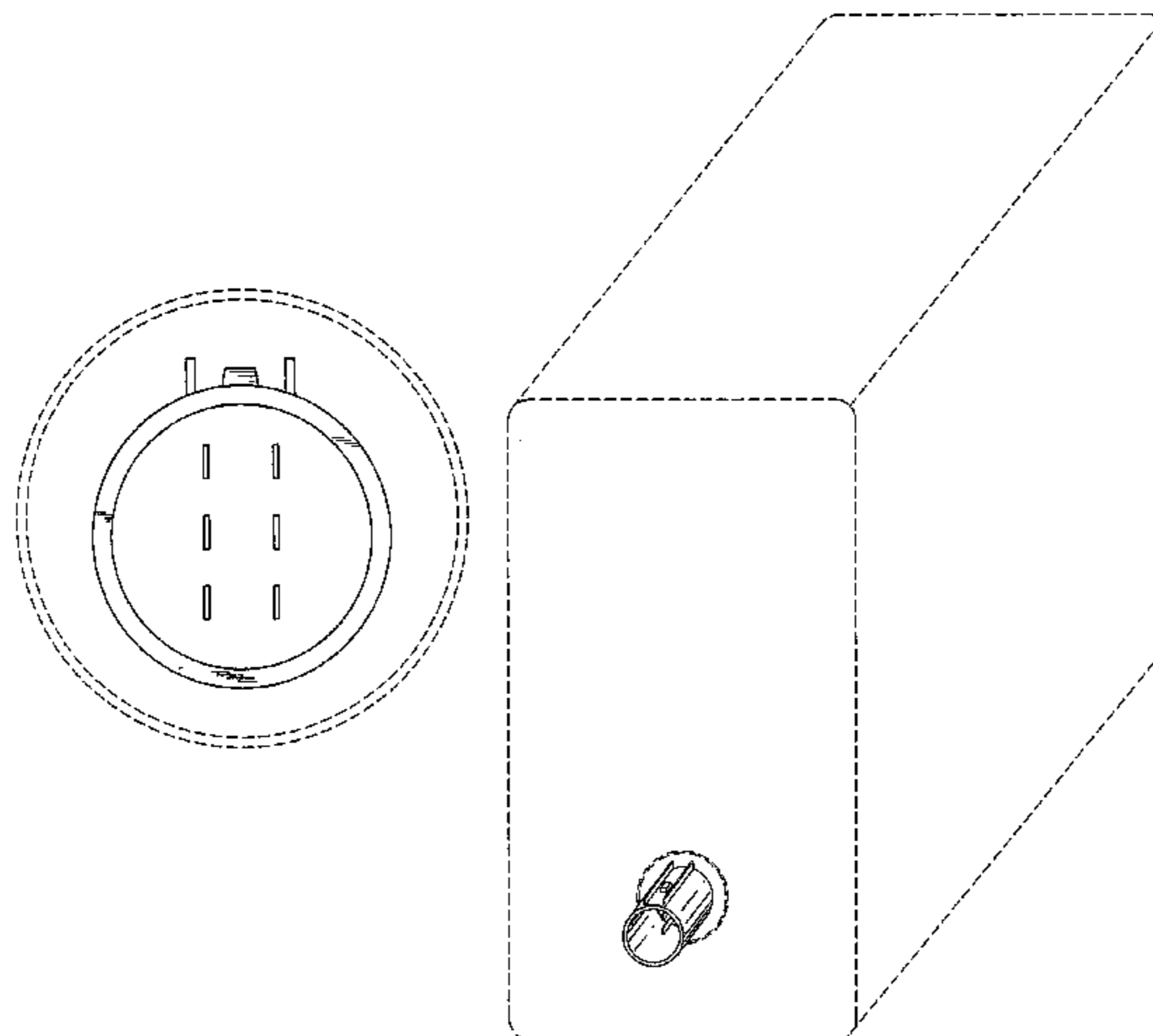
FIG. 17 is a back view of FIG. 13;

FIG. 18 is a right side view of FIG. 13; and,

FIG. 19 is a left side view of FIG. 13.

The broken lines shown in FIGS. 1-19 represent environment and are provided for illustrative purposes only and do not constitute part of the claimed design.

**1 Claim, 17 Drawing Sheets**



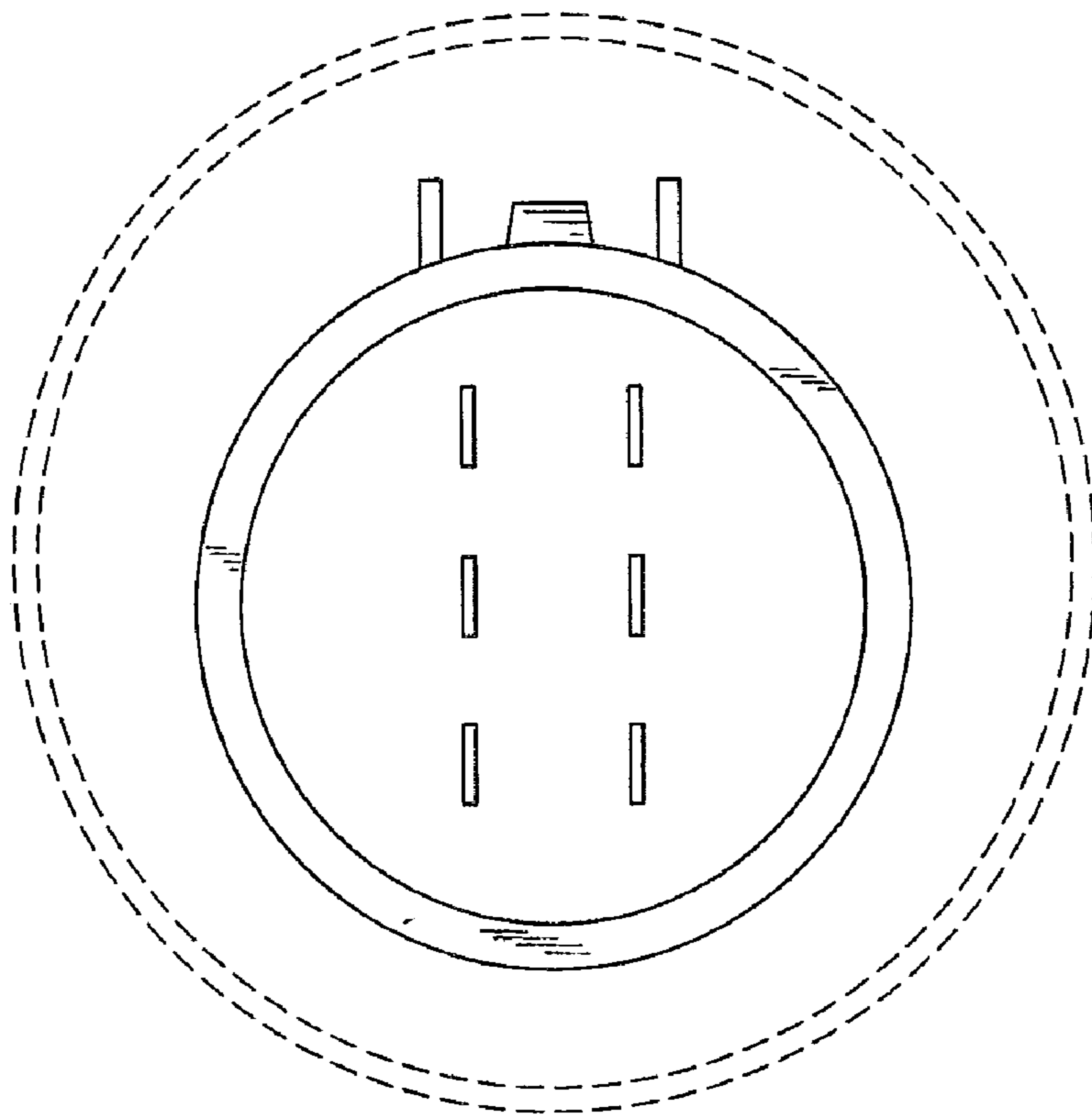


FIG. 1

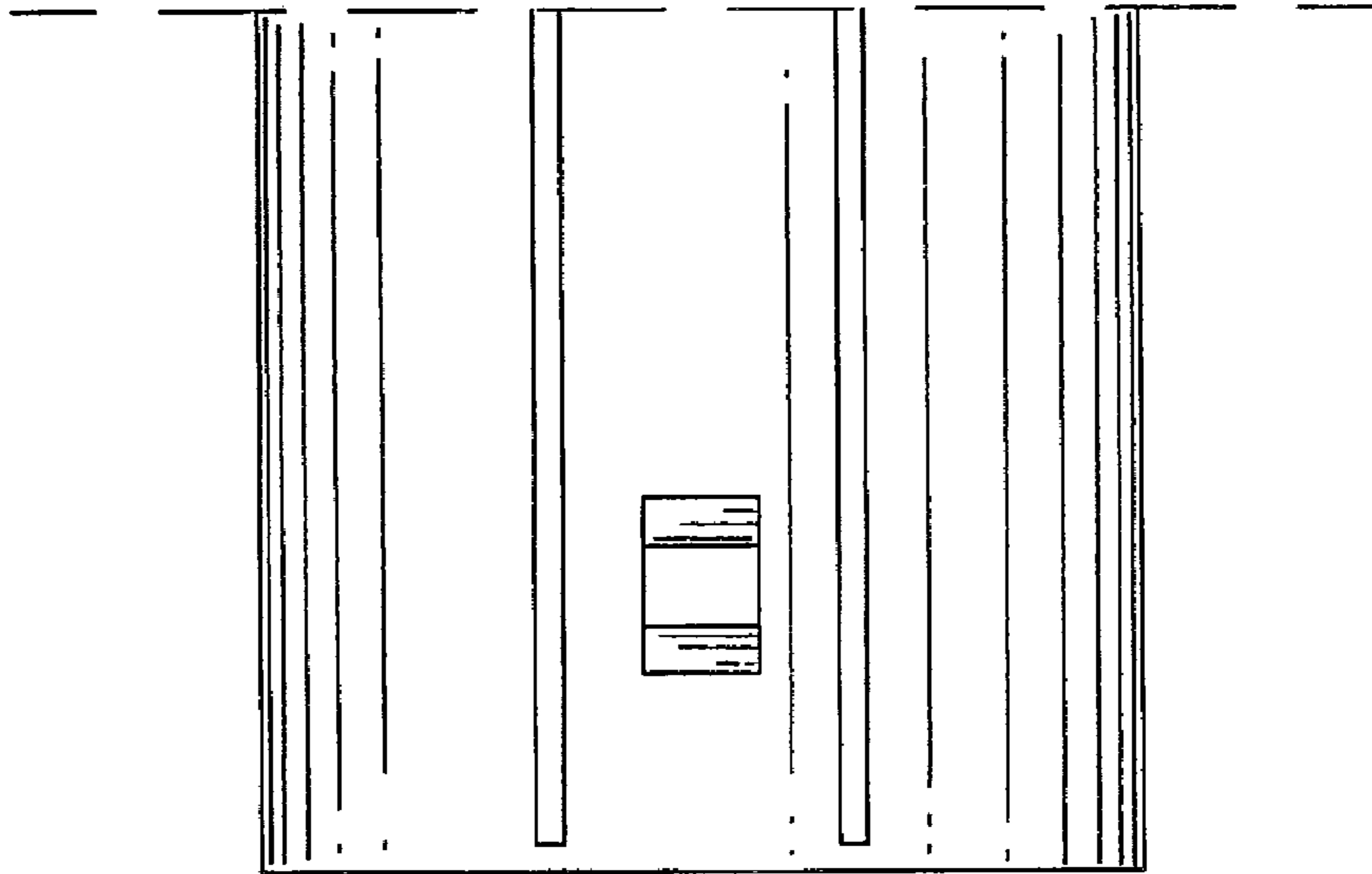


FIG. 2

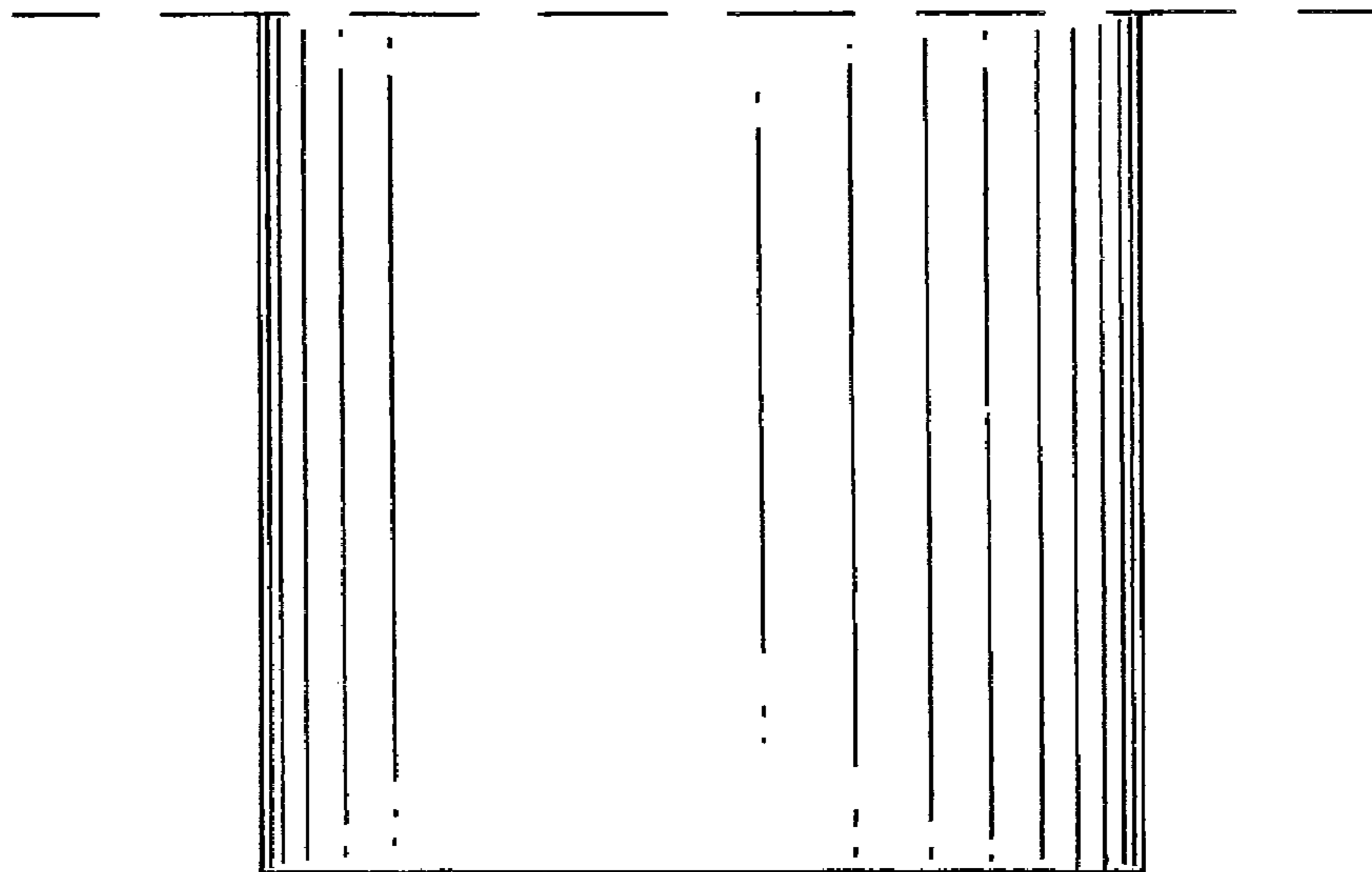


FIG. 3

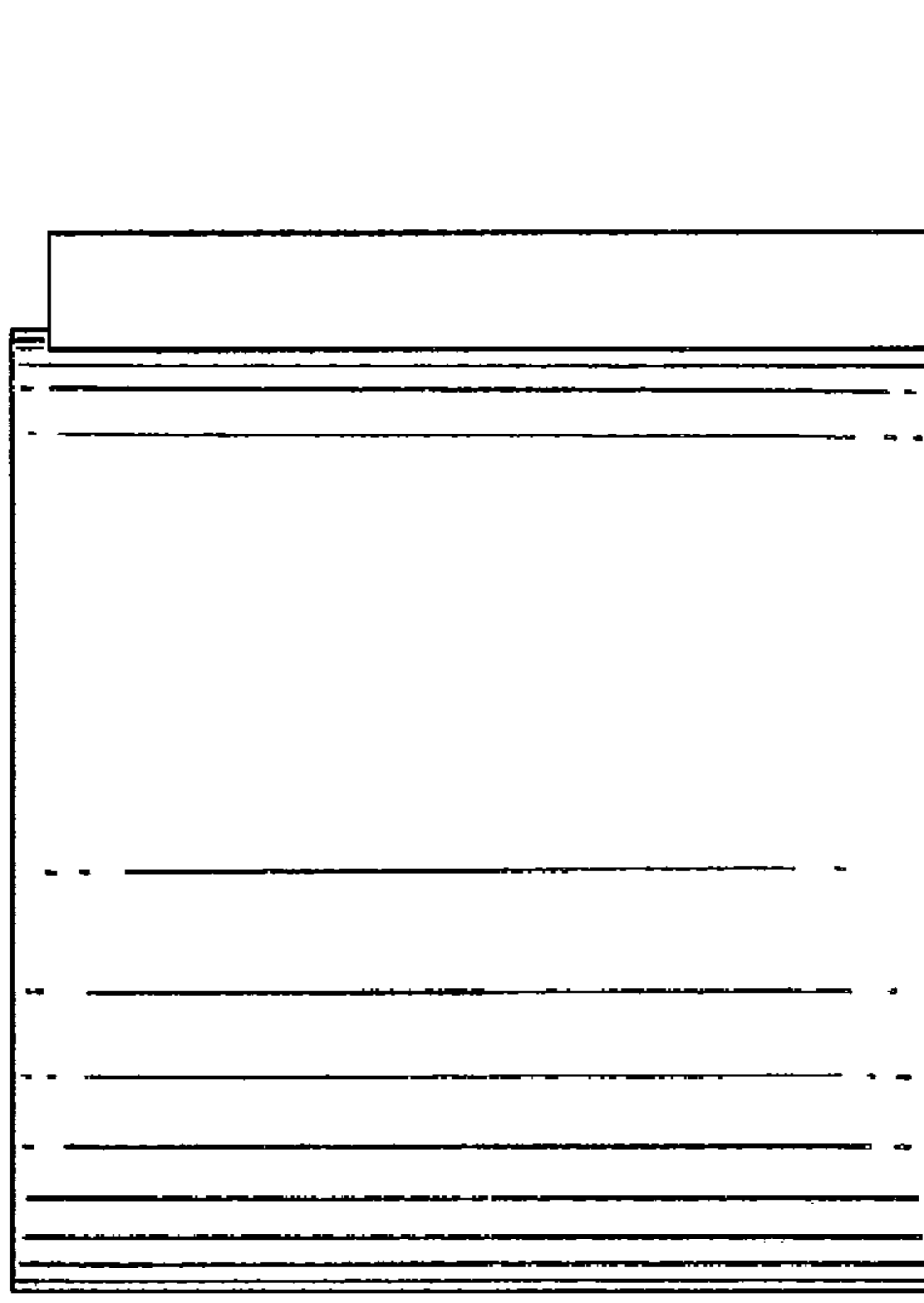


FIG. 4

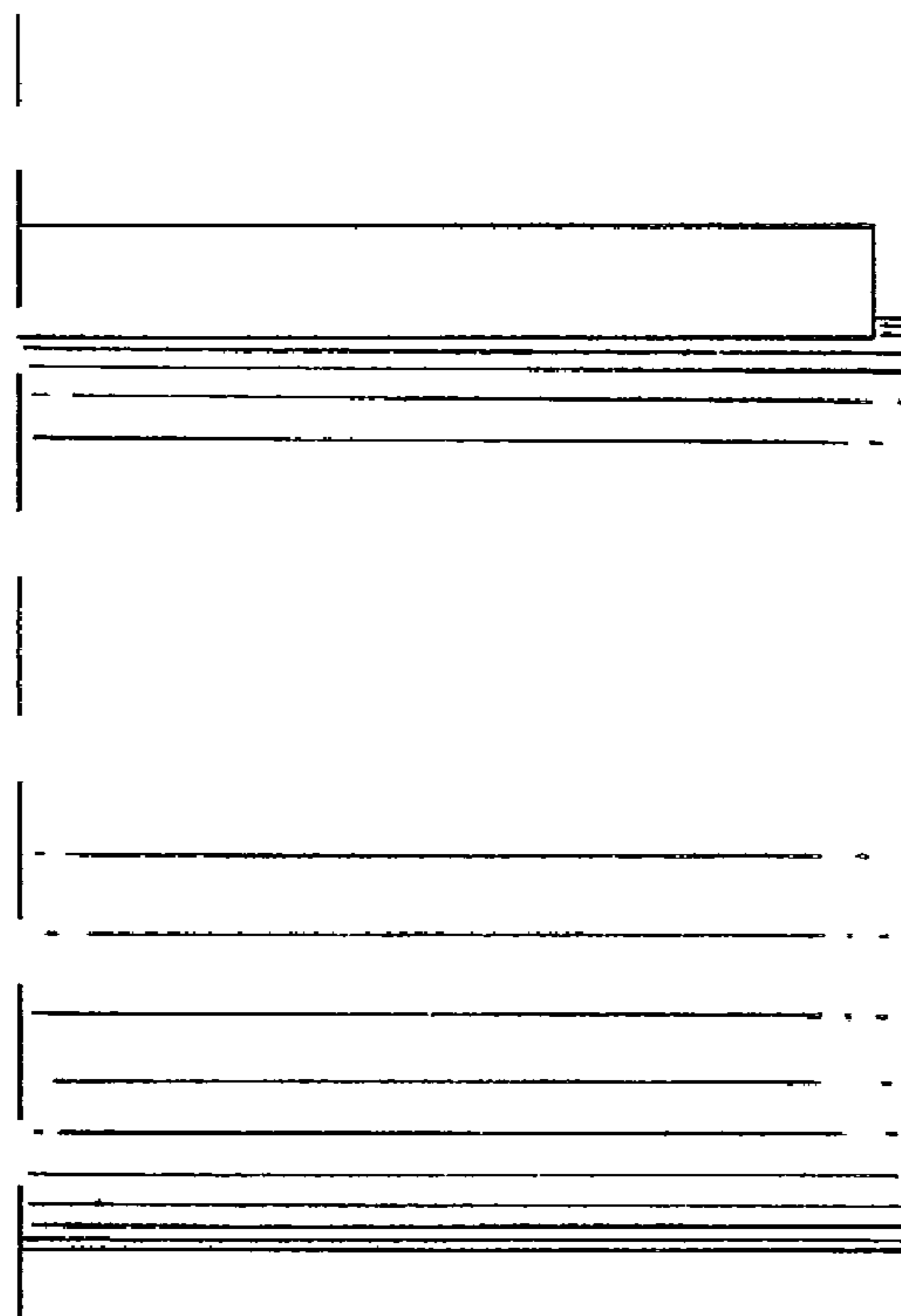


FIG. 5

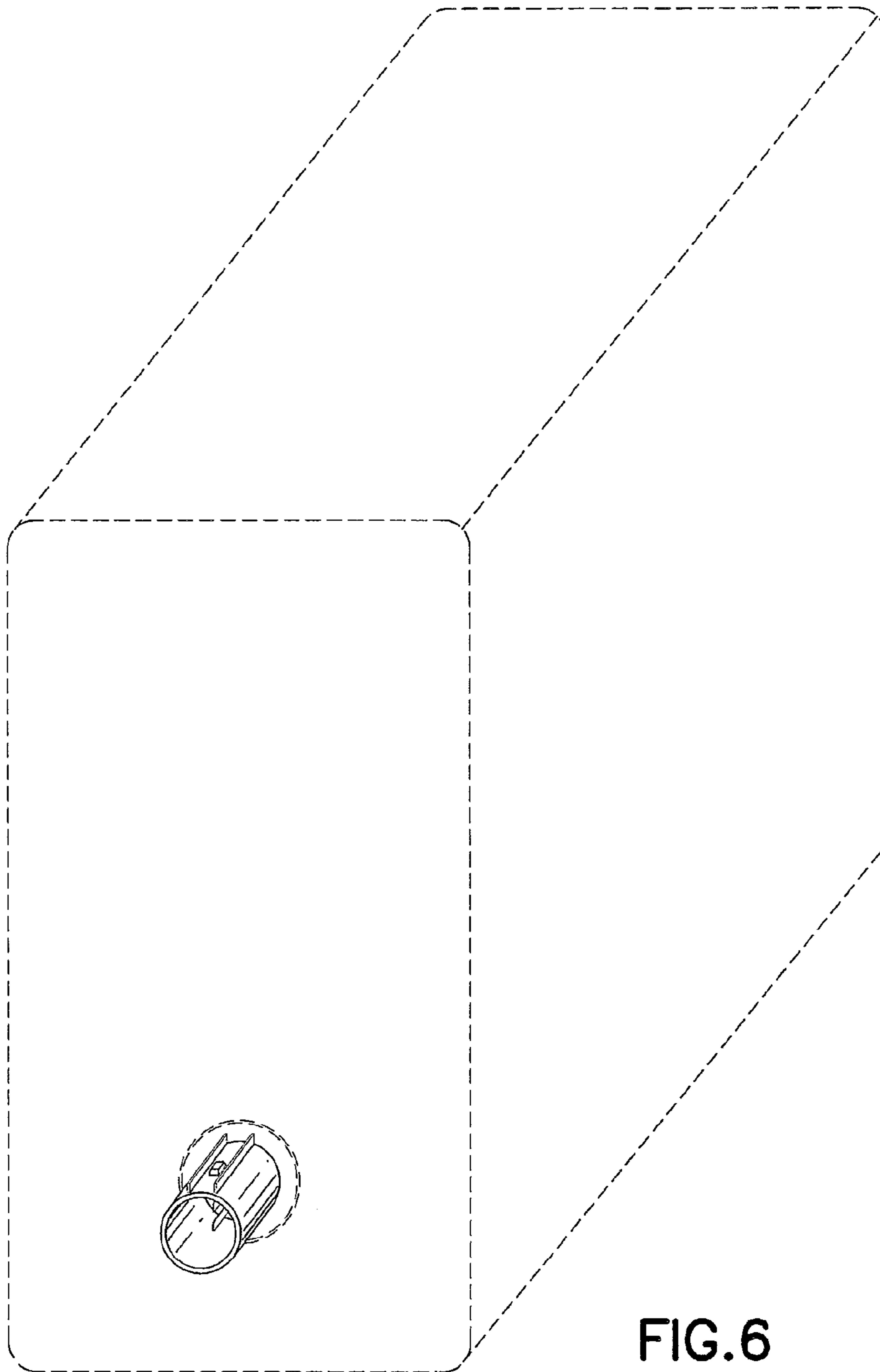


FIG.6



FIG. 7

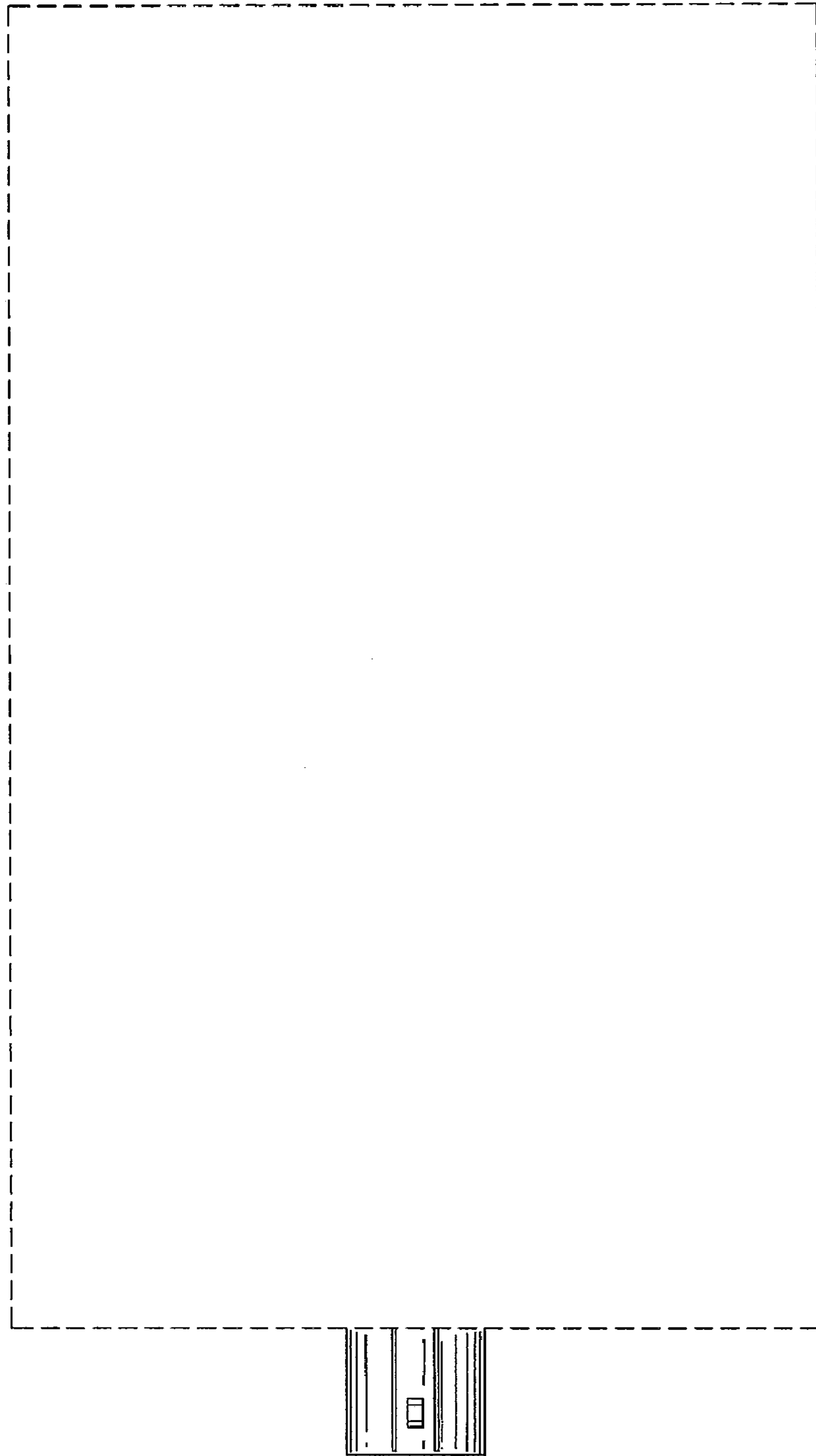


FIG.8

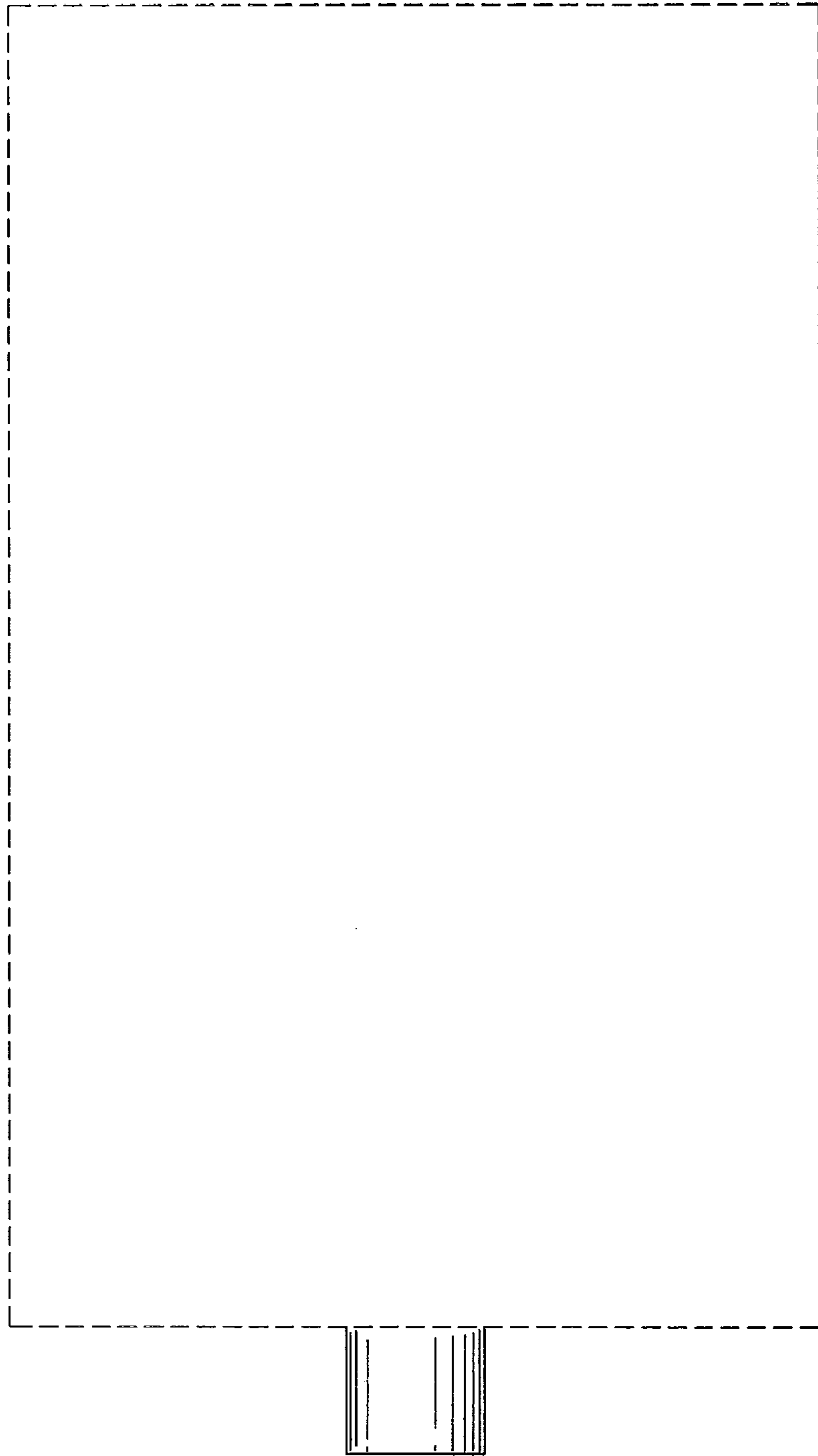
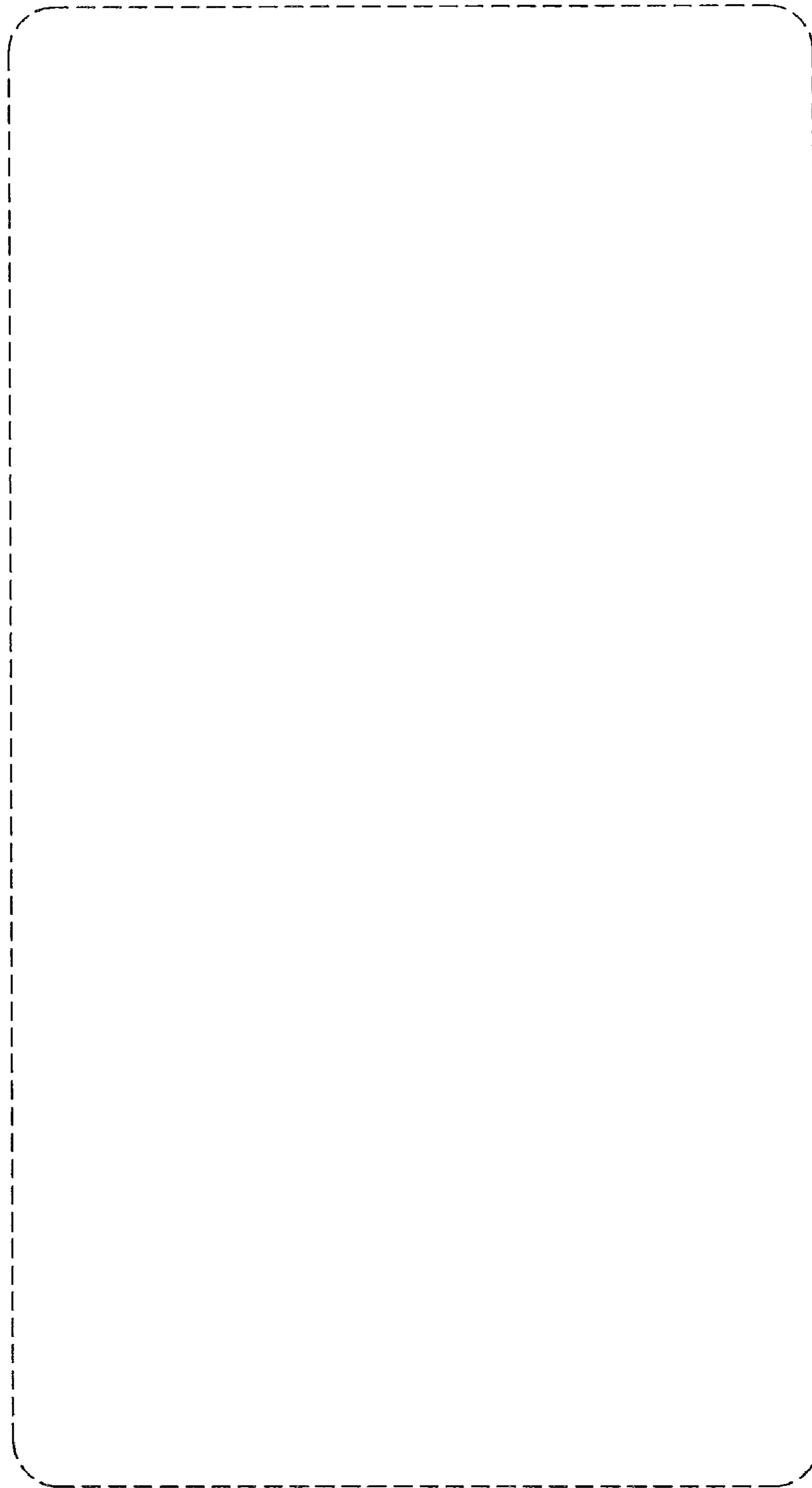


FIG. 9





**FIG. 10**

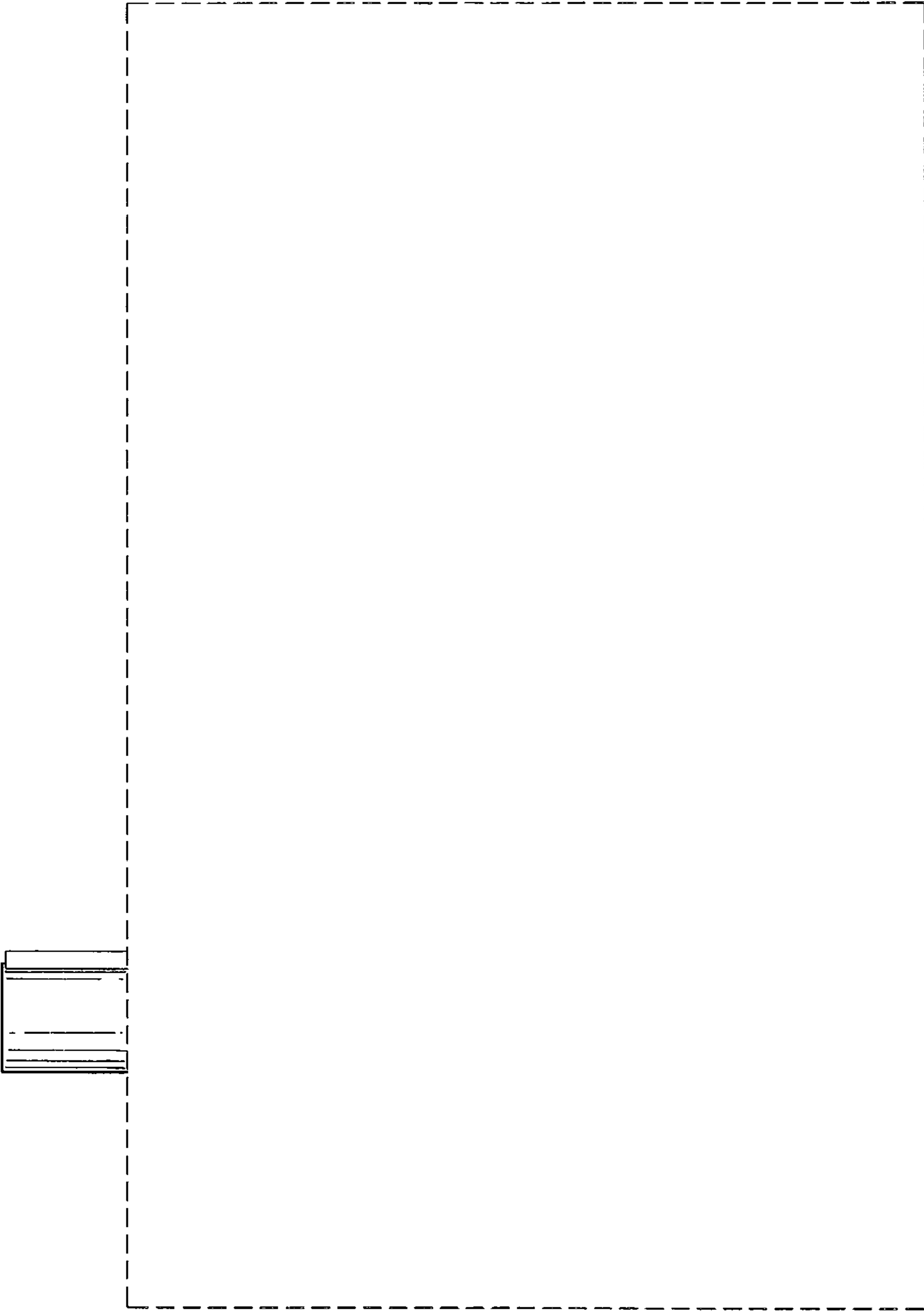


FIG. 11

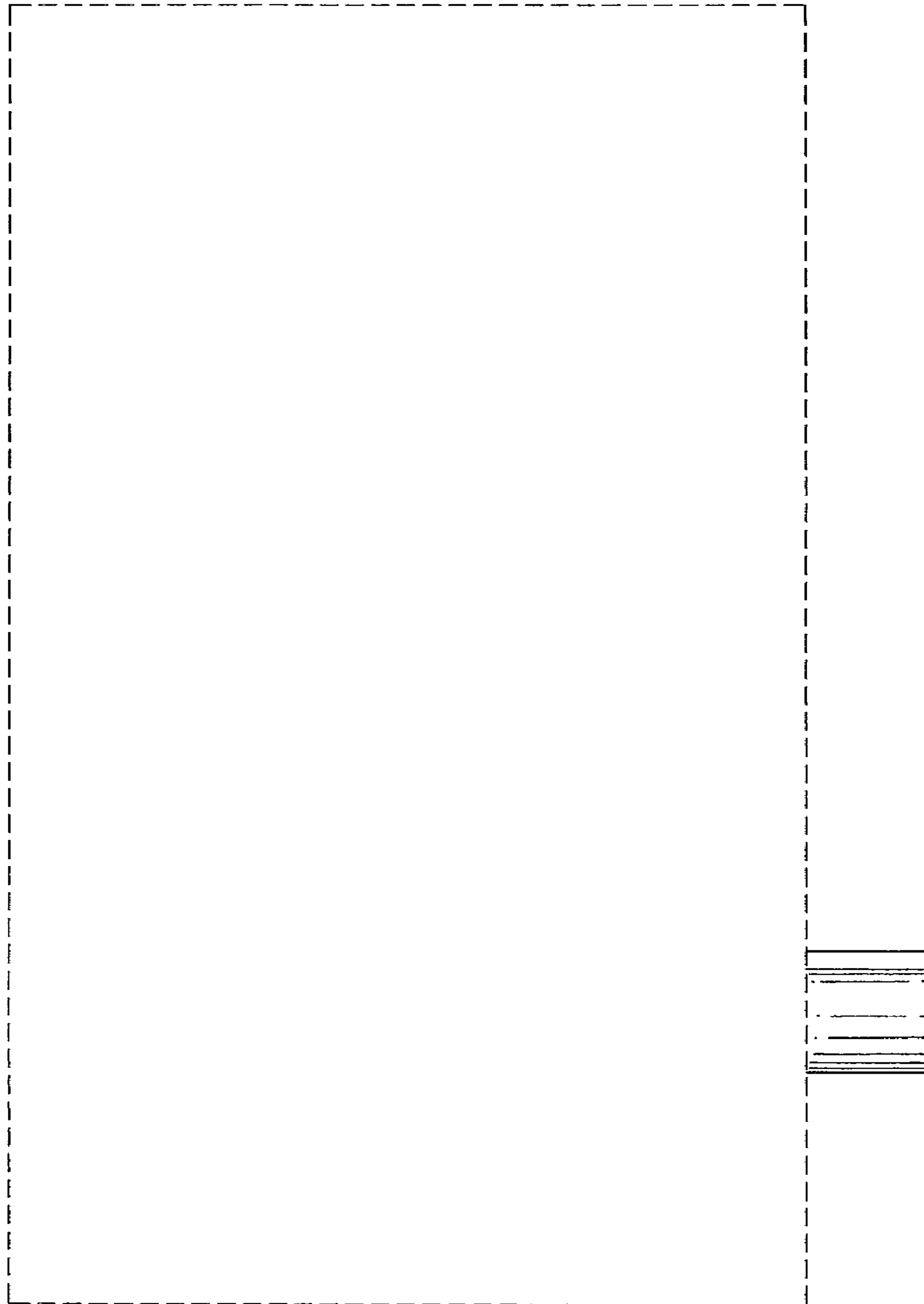


FIG. 12

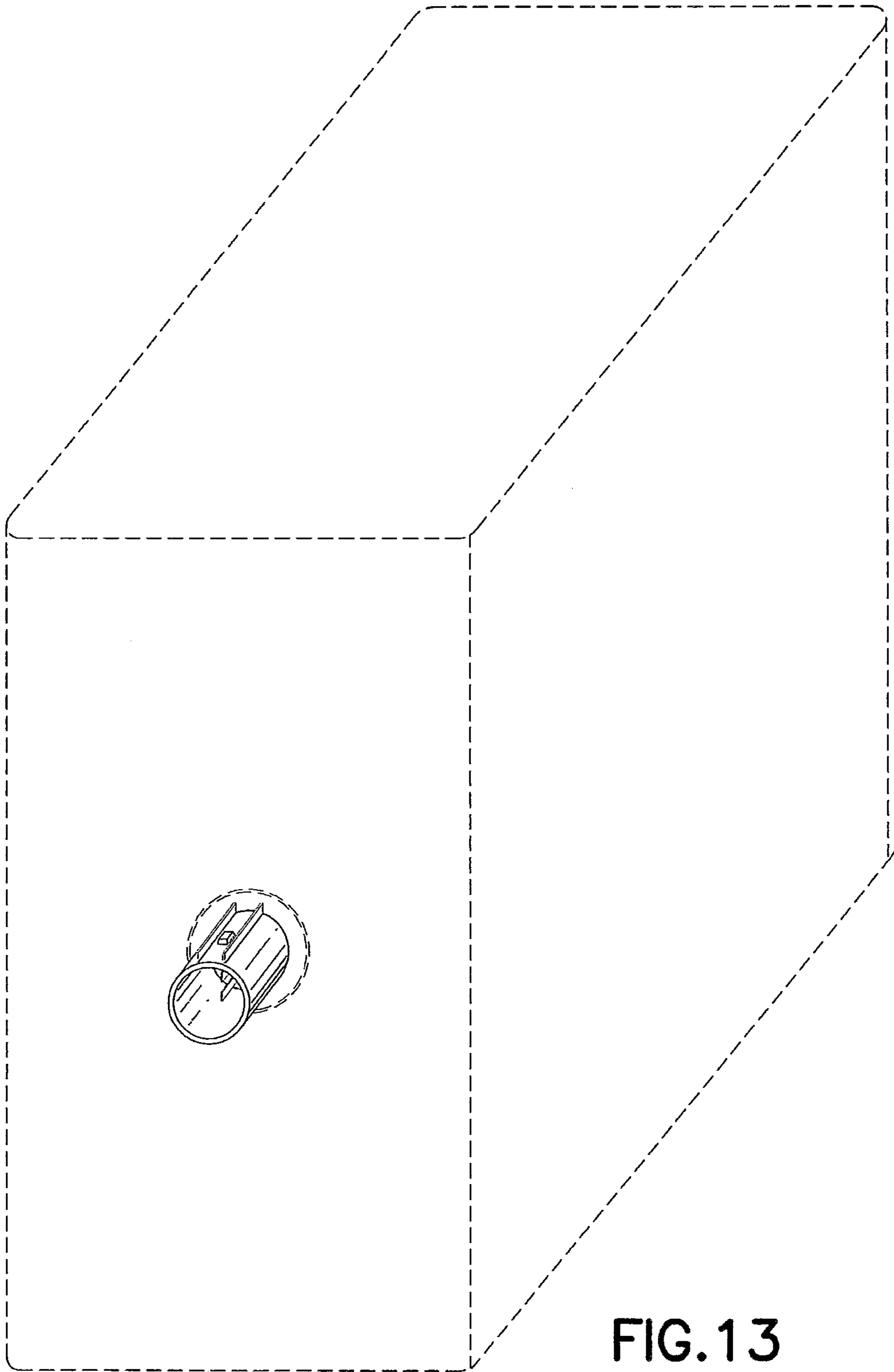


FIG. 13

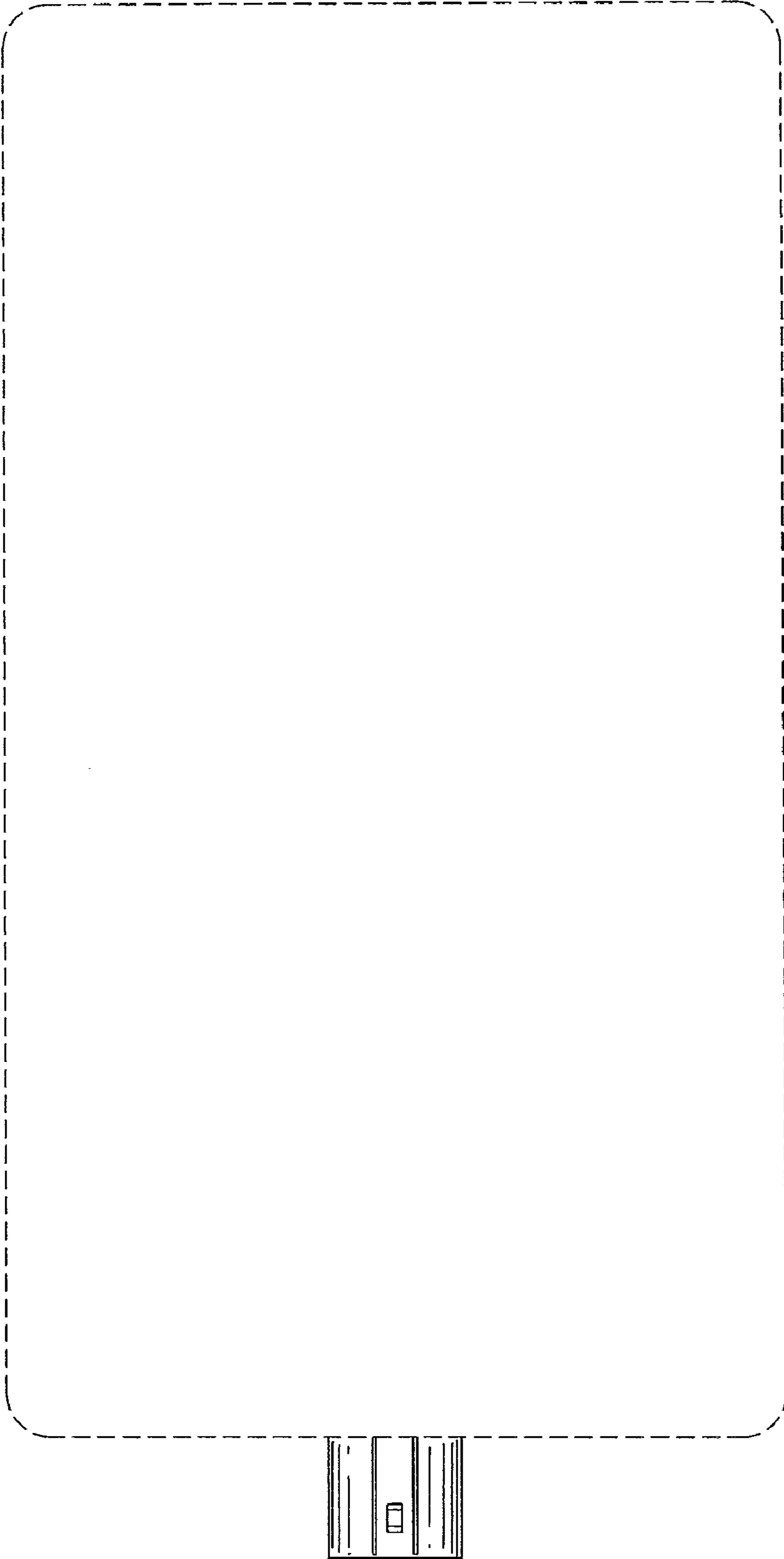
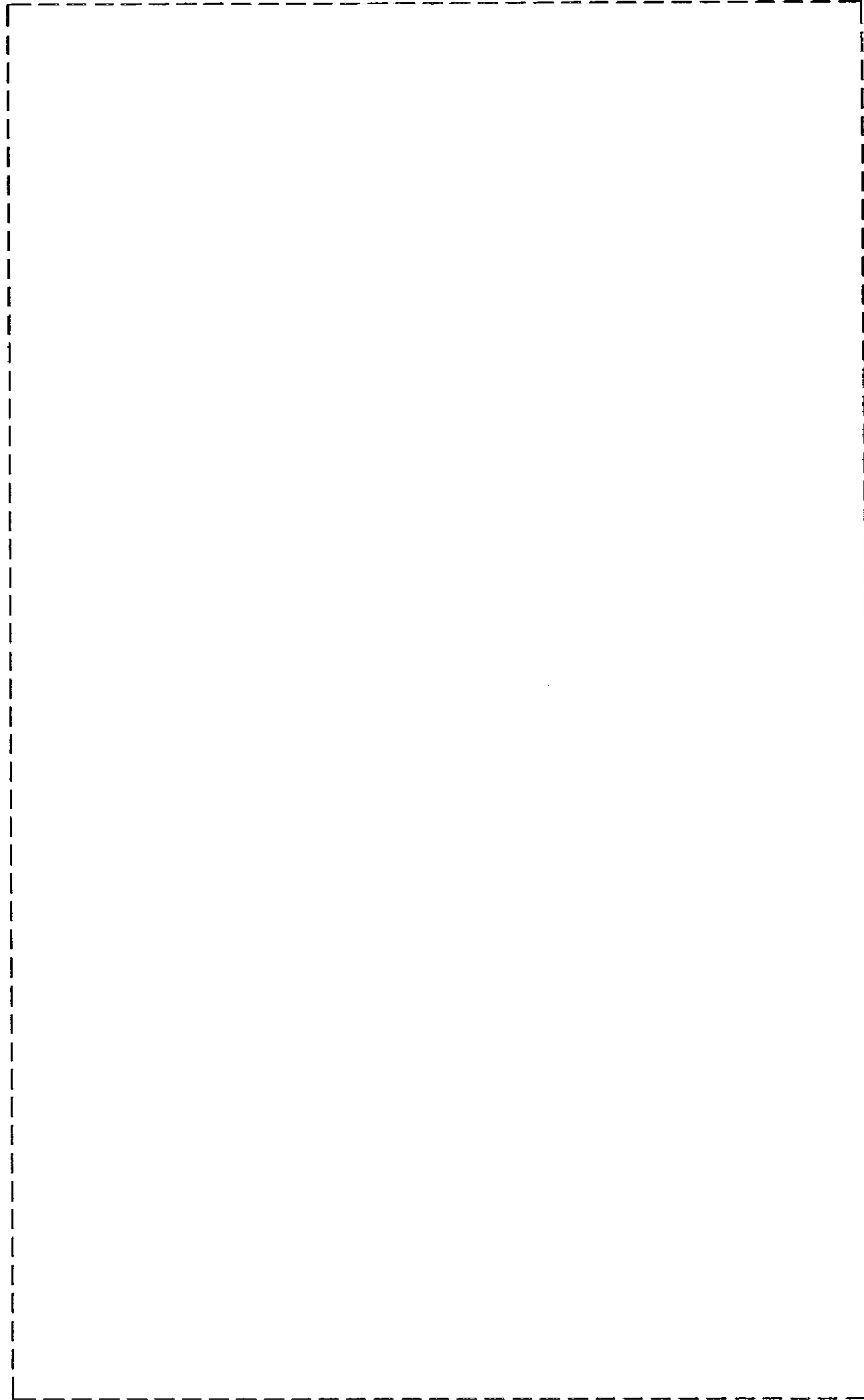


FIG. 14



**FIG. 15**

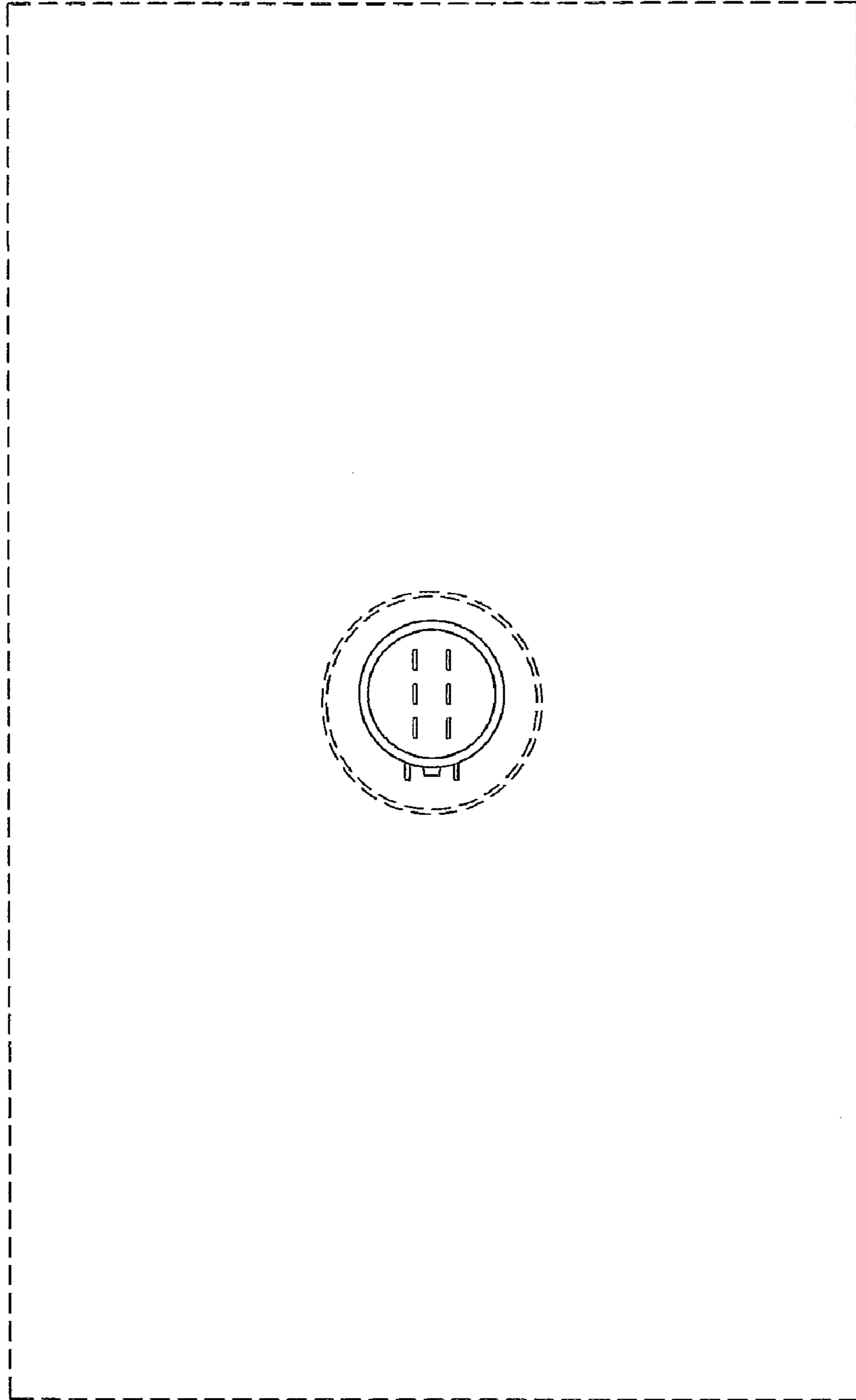


FIG. 16

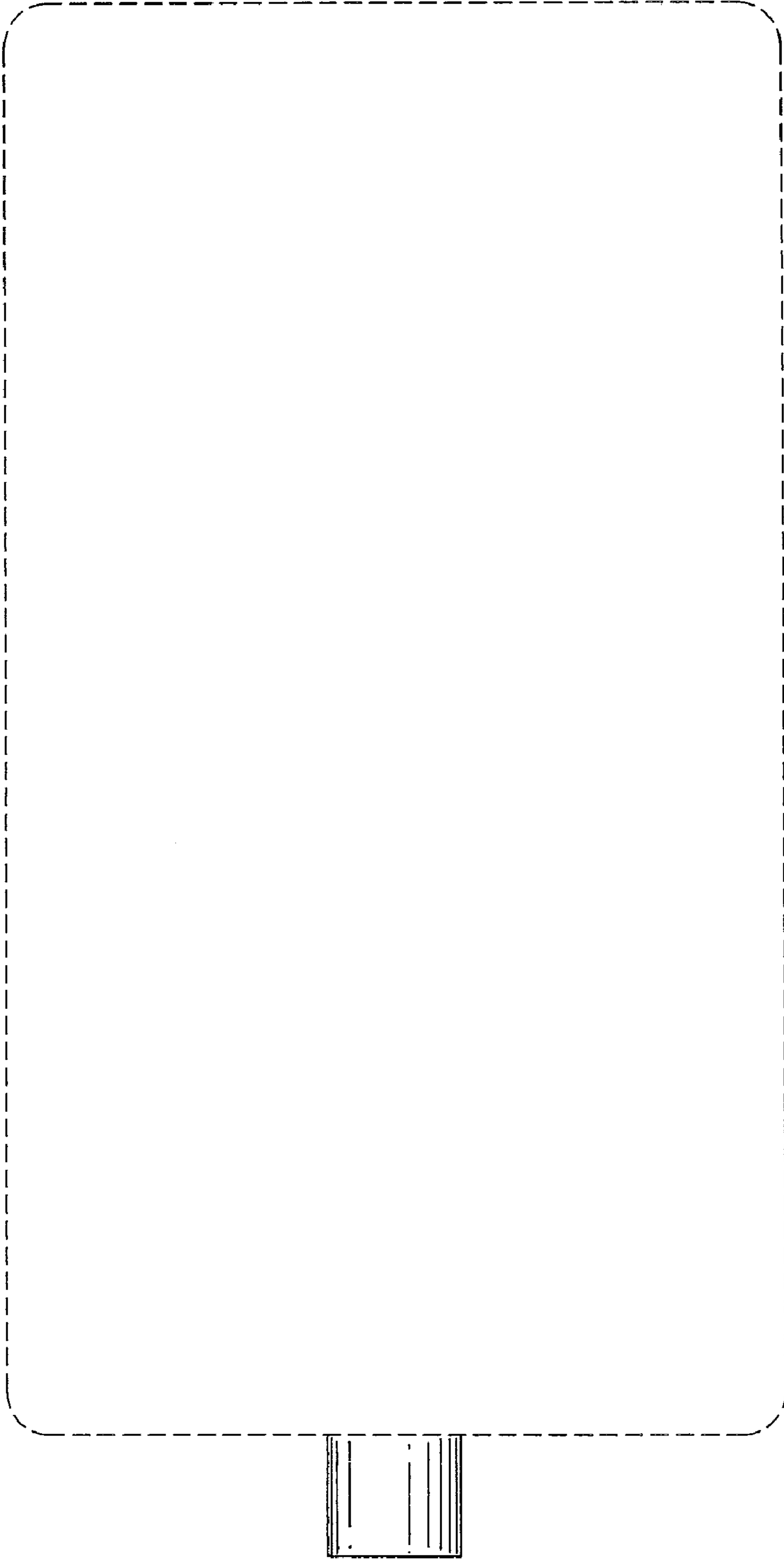


FIG.17



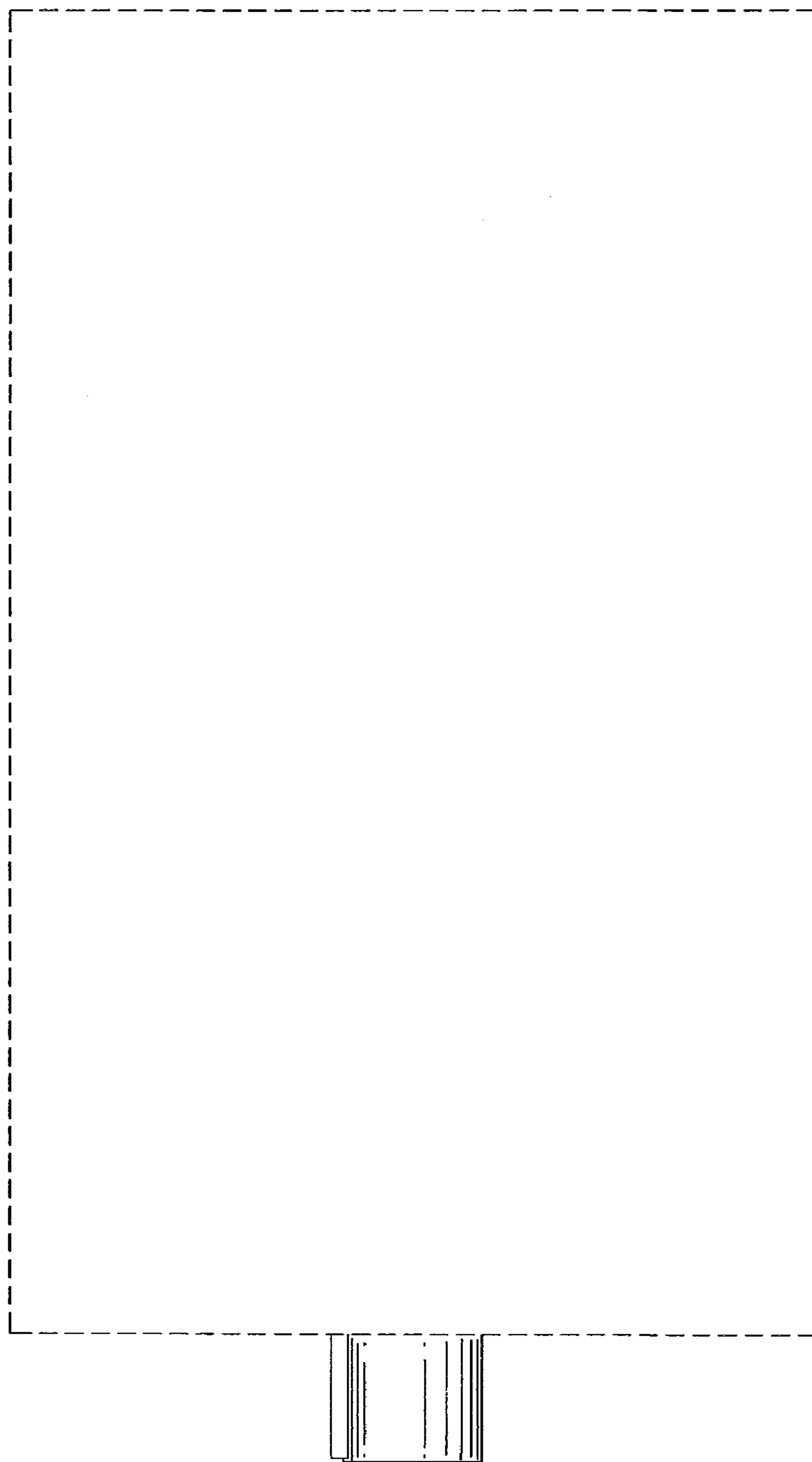


FIG. 18

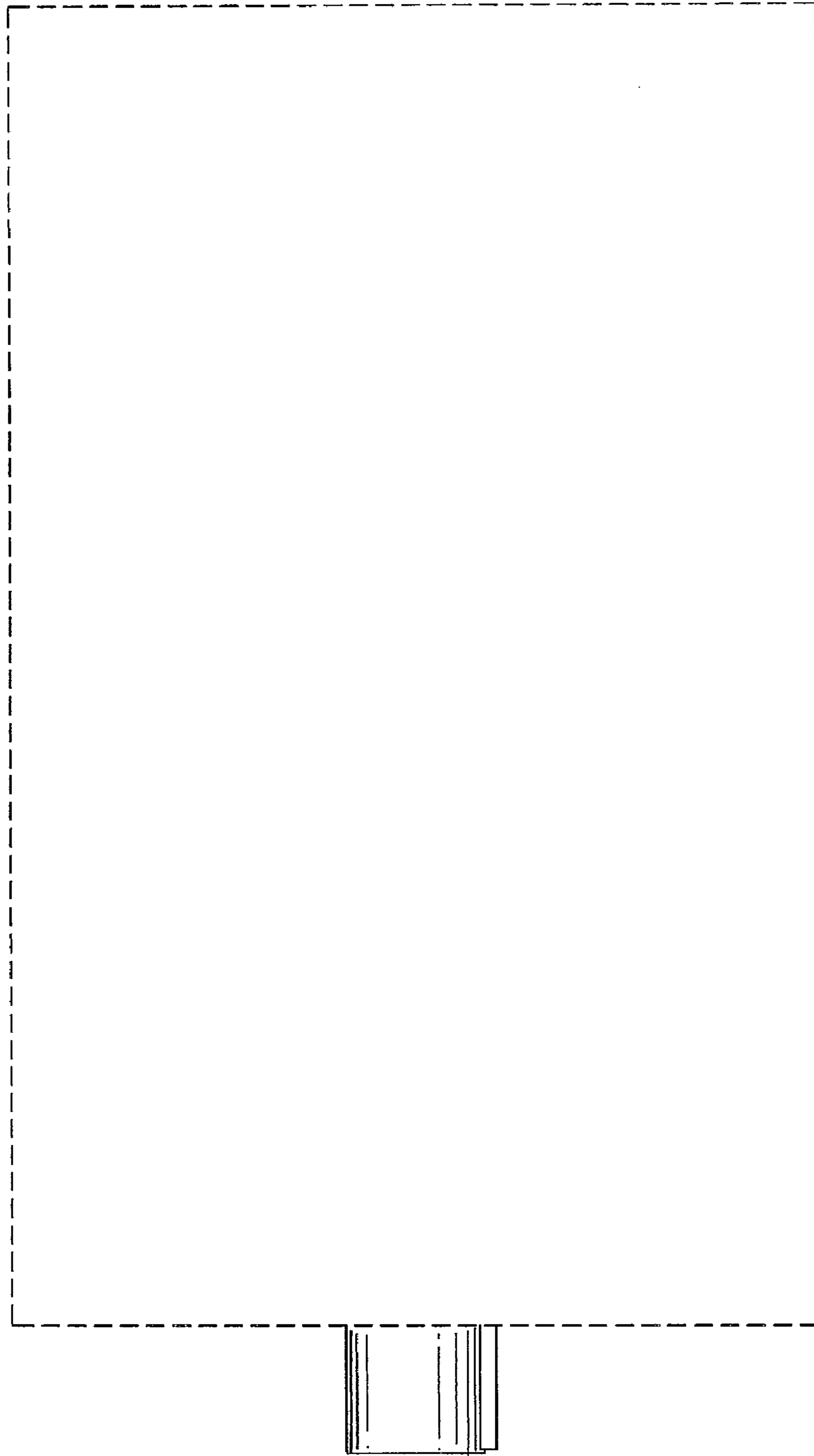


FIG. 19