



US00D631941S

(12) **United States Design Patent**
Shafer

(10) **Patent No.:** **US D631,941 S**
(45) **Date of Patent:** **** Feb. 1, 2011**

(54) **LAWN MOWER CLEANER**

(57) **CLAIM**

(76) Inventor: **C. Dean Shafer**, 808 Heartland Dr.,
Nampa, ID (US) 83686

The ornamental design for a lawn mower cleaner, as shown
and described.

(**) Term: **14 Years**

(21) Appl. No.: **29/351,435**

DESCRIPTION

(22) Filed: **Dec. 5, 2009**

(51) **LOC (9) Cl.** **23-01**

(52) **U.S. Cl.** **D23/214; D8/14**

(58) **Field of Classification Search** **D23/213,**
D23/214, 215, 217, 221, 222, 229, 249; D8/14;
239/225.1, 230-235, 302, 304, 308, 371;
134/167

See application file for complete search history.

FIG. 1 is a top perspective view of a lawn mower cleaner
showing my new design.

FIG. 2 is a top view of the lawn mower cleaner of FIG. 1.

FIG. 3 is a left side view of the lawn mower cleaner of FIGS.
1 and 2, the right side view being a minor image thereof.

FIG. 4 is a bottom view of the lawn mower cleaner of FIGS.
1-3.

FIG. 5 is a rear end view of the lawn mower cleaner of FIGS.
1-4.

FIG. 6 is a front end view of the lawn mower cleaner of FIGS.
1-5.

FIG. 7 is a top perspective view of the lawn mower cleaner,
wherein pipe threading is visible at the connections of the
pipes to the fittings and nozzles of the cleaner.

FIG. 8 is a top view of the lawn mower cleaner of FIG. 7.

FIG. 9 is a left side view of the lawn mower cleaner of FIGS.
7 and 8, the right side view being a minor image thereof.

FIG. 10 is a bottom view of the lawn mower cleaner of FIGS.
7-9.

FIG. 11 is a rear end view of the lawn mower cleaner of FIGS.
7-10.

FIG. 12 is a front end view of the lawn mower cleaner of
FIGS. 7-11; and,

FIG. 13 is a left side view of the lawn mower cleaner of FIGS.
1-6, wherein the environmental ground, lawn mower, hose
portion, and water spray are shown in broken lines and are not
part of the claimed design.

(56) **References Cited**

U.S. PATENT DOCUMENTS

D35,074 S *	9/1901	Hull	D23/214
3,028,988 A *	4/1962	Owens	220/571
3,108,608 A	10/1963	Mahowald		
3,322,347 A	5/1967	Pierce		
3,856,028 A	12/1974	Kehler		
D280,144 S *	8/1985	Cooney	D32/35
4,762,278 A *	8/1988	Taylor	239/281
5,312,047 A *	5/1994	Akers	239/276
5,368,229 A	11/1994	Hayes et al.		
5,499,492 A *	3/1996	Jameson	56/12.1

(Continued)

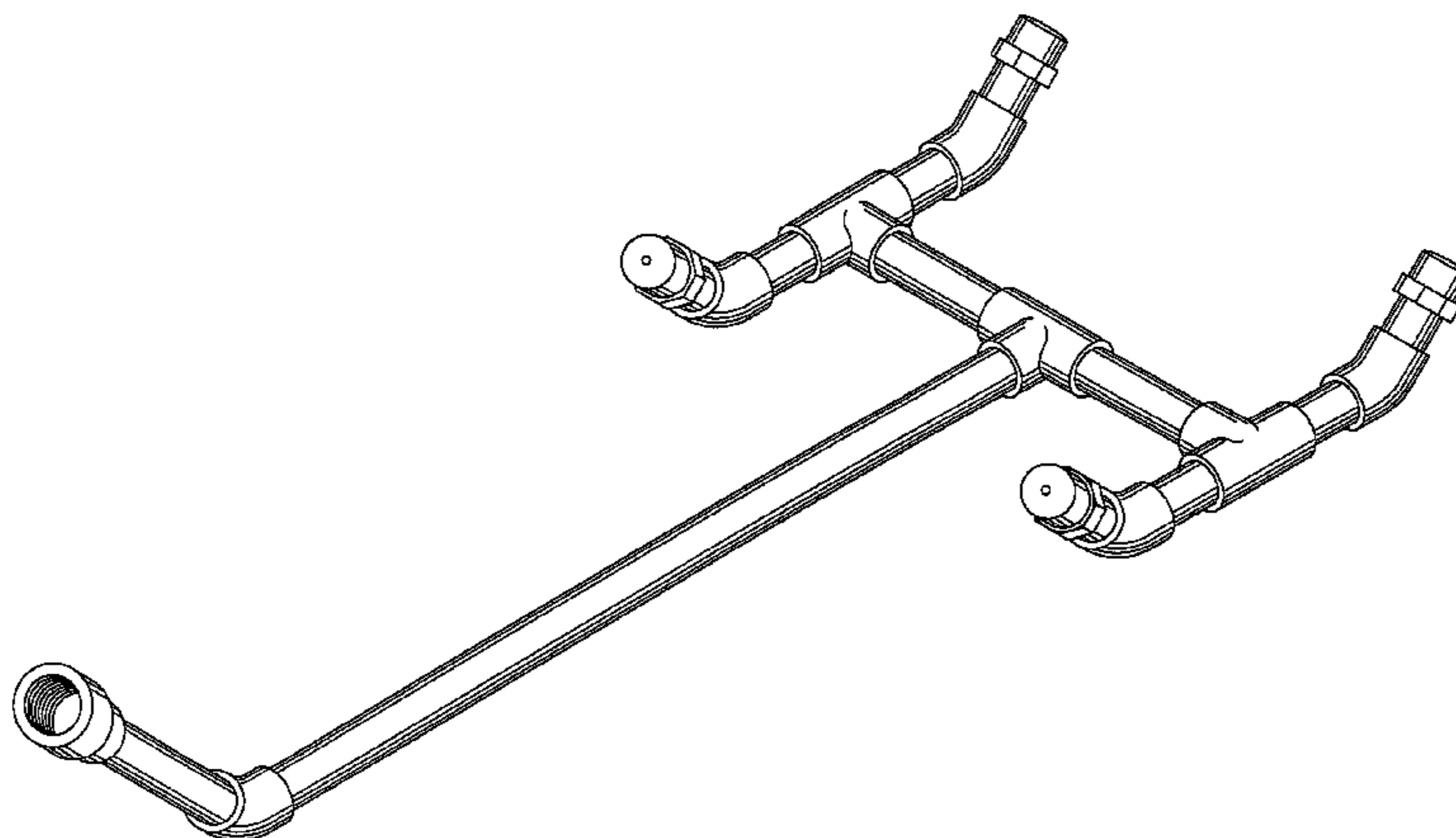
FOREIGN PATENT DOCUMENTS

CH 675218 A5 9/1990

(Continued)

Primary Examiner—Prabhakar Deshmukh
(74) *Attorney, Agent, or Firm*—Pedersen and Company,
PLLC; Ken J. Pedersen; Barbara S. Pedersen

1 Claim, 7 Drawing Sheets



US D631,941 S

Page 2

U.S. PATENT DOCUMENTS

D374,914 S * 10/1996 Wang D23/214
5,651,242 A 7/1997 Kittridge
D383,830 S * 9/1997 Guo D23/214
D383,883 S 9/1997 Langley
5,673,856 A 10/1997 Krohn
6,364,960 B1 4/2002 Bayley

2003/0159722 A1 8/2003 Burkett

FOREIGN PATENT DOCUMENTS

DE 19925 605 A1 12/2000
FR 2641208 6/1990
FR 2677903 12/1992
FR 2790909 9/2000

* cited by examiner

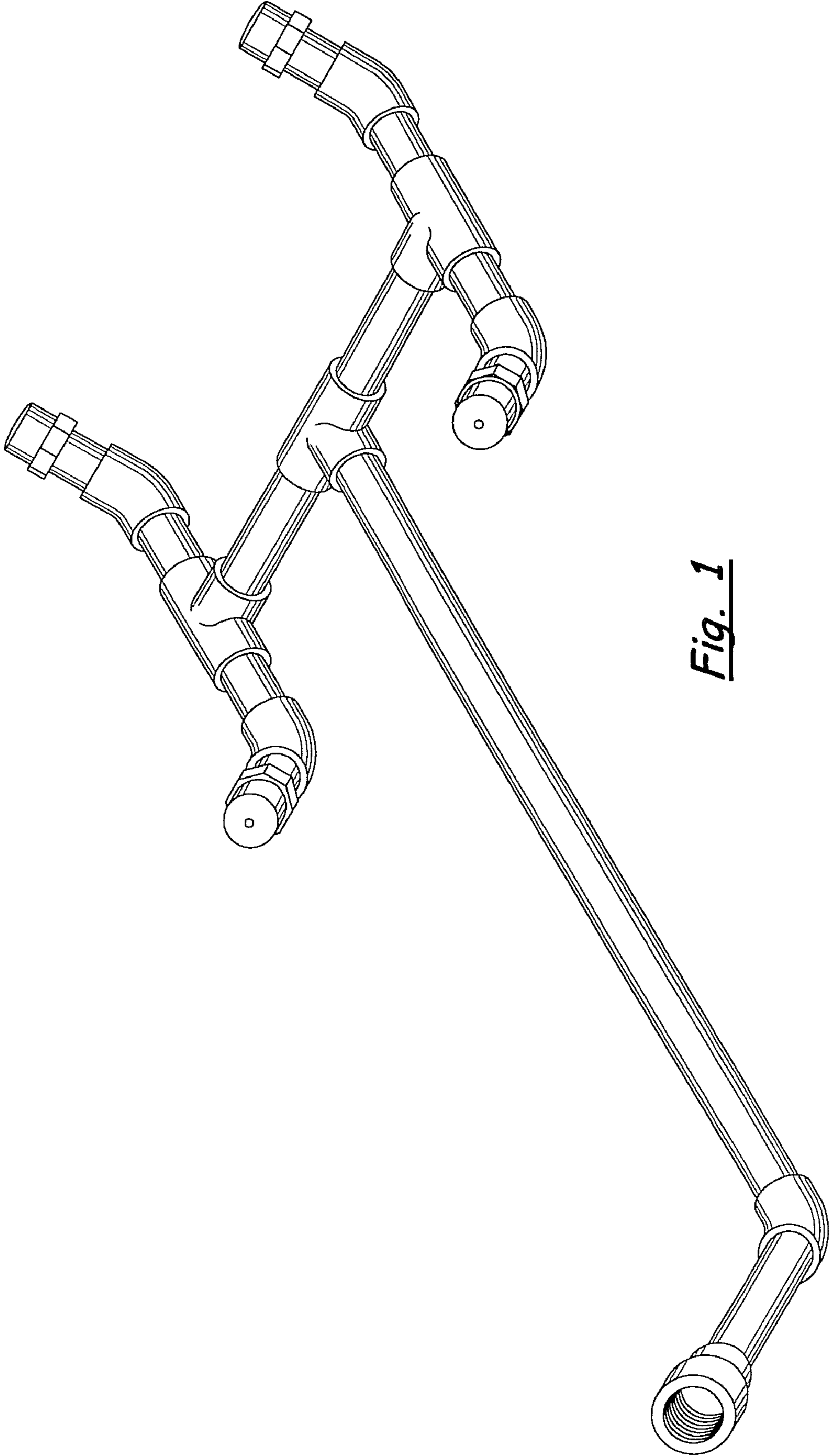


Fig. 1

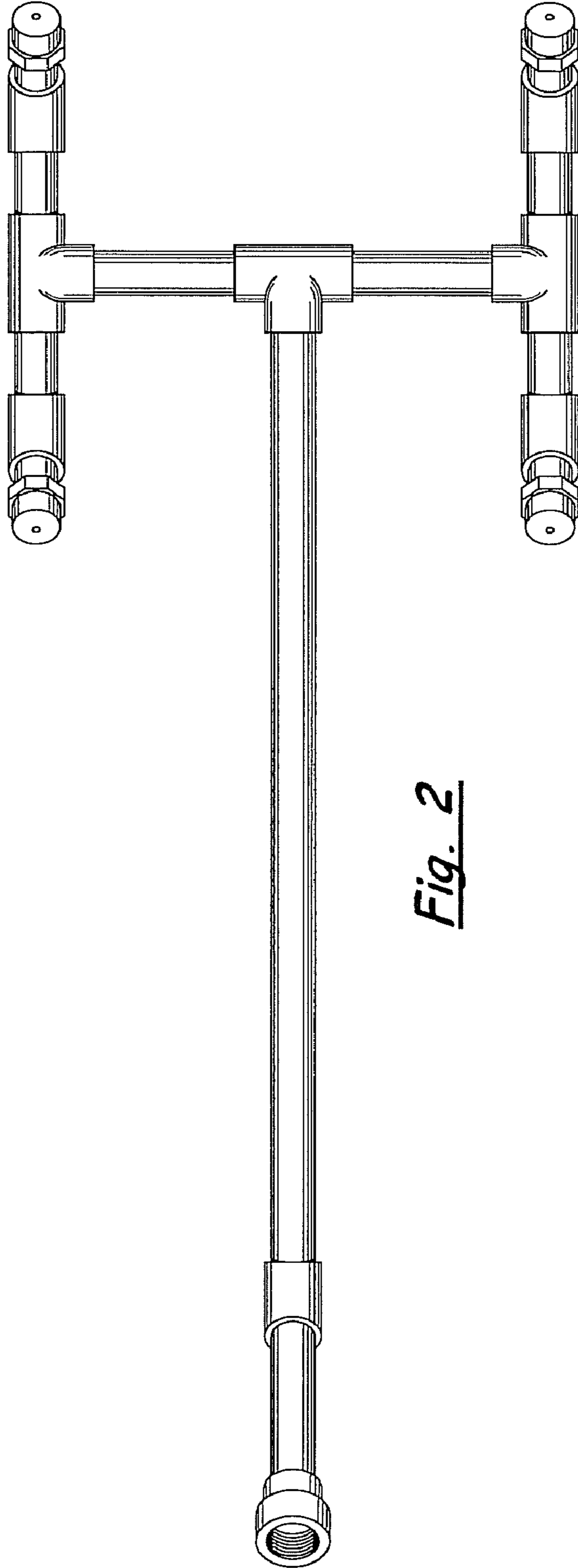


Fig. 2

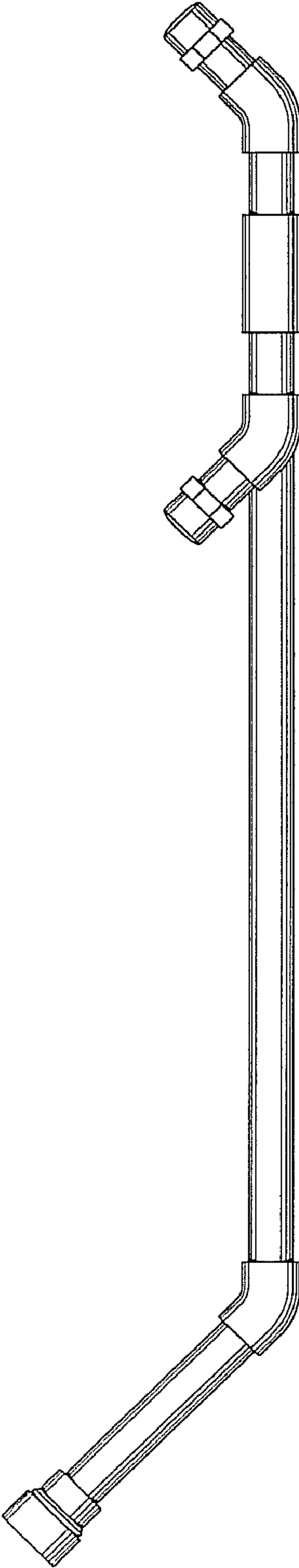


Fig. 3

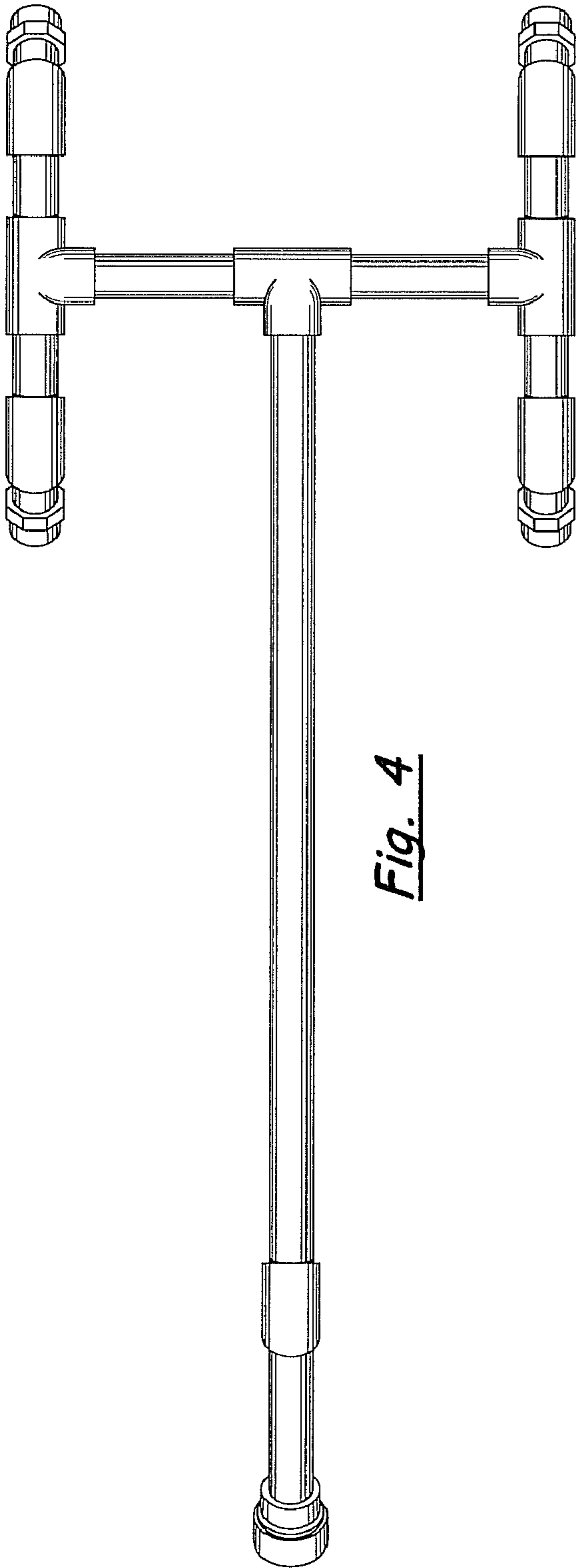


Fig. 4

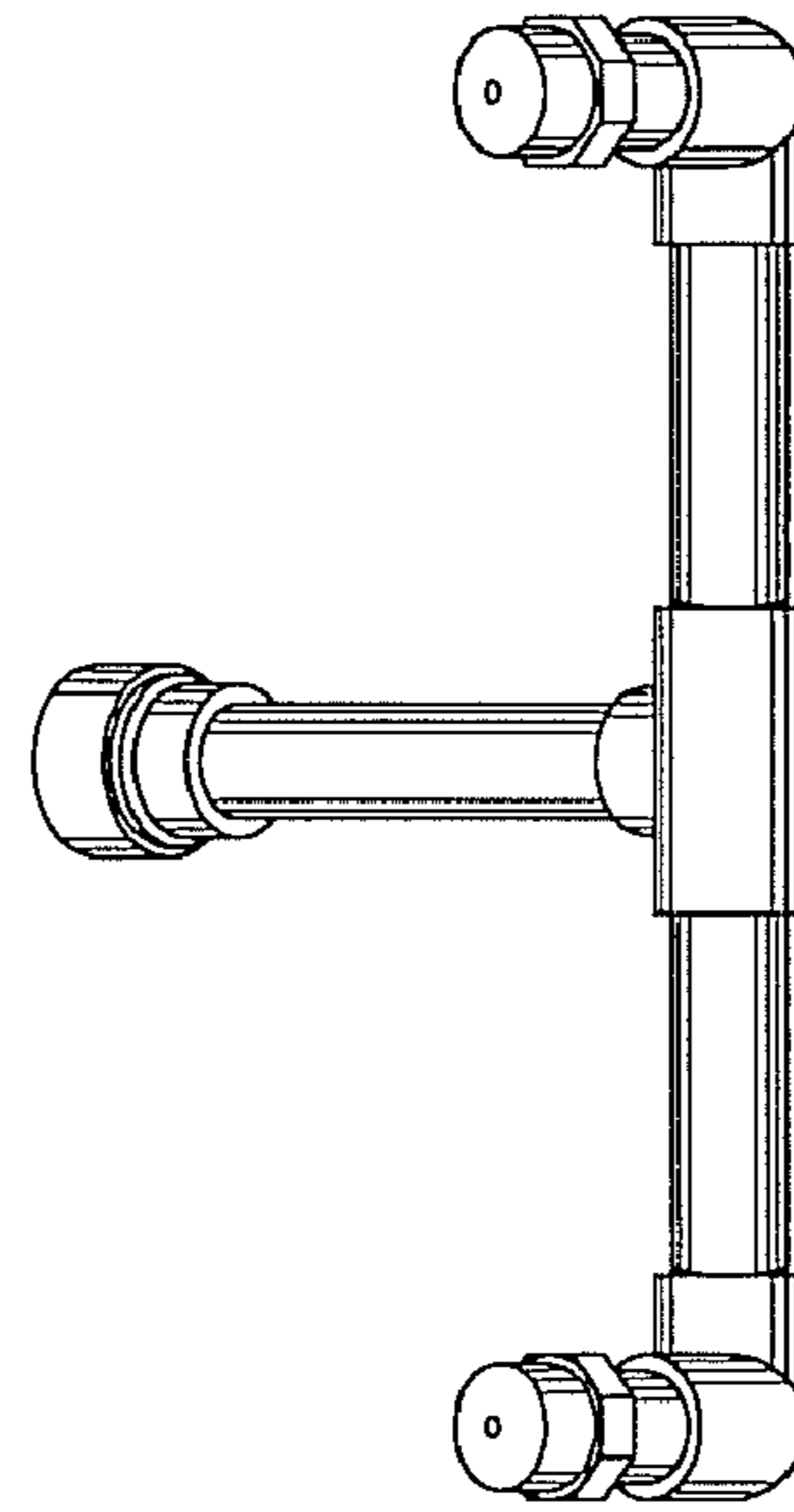


Fig. 5

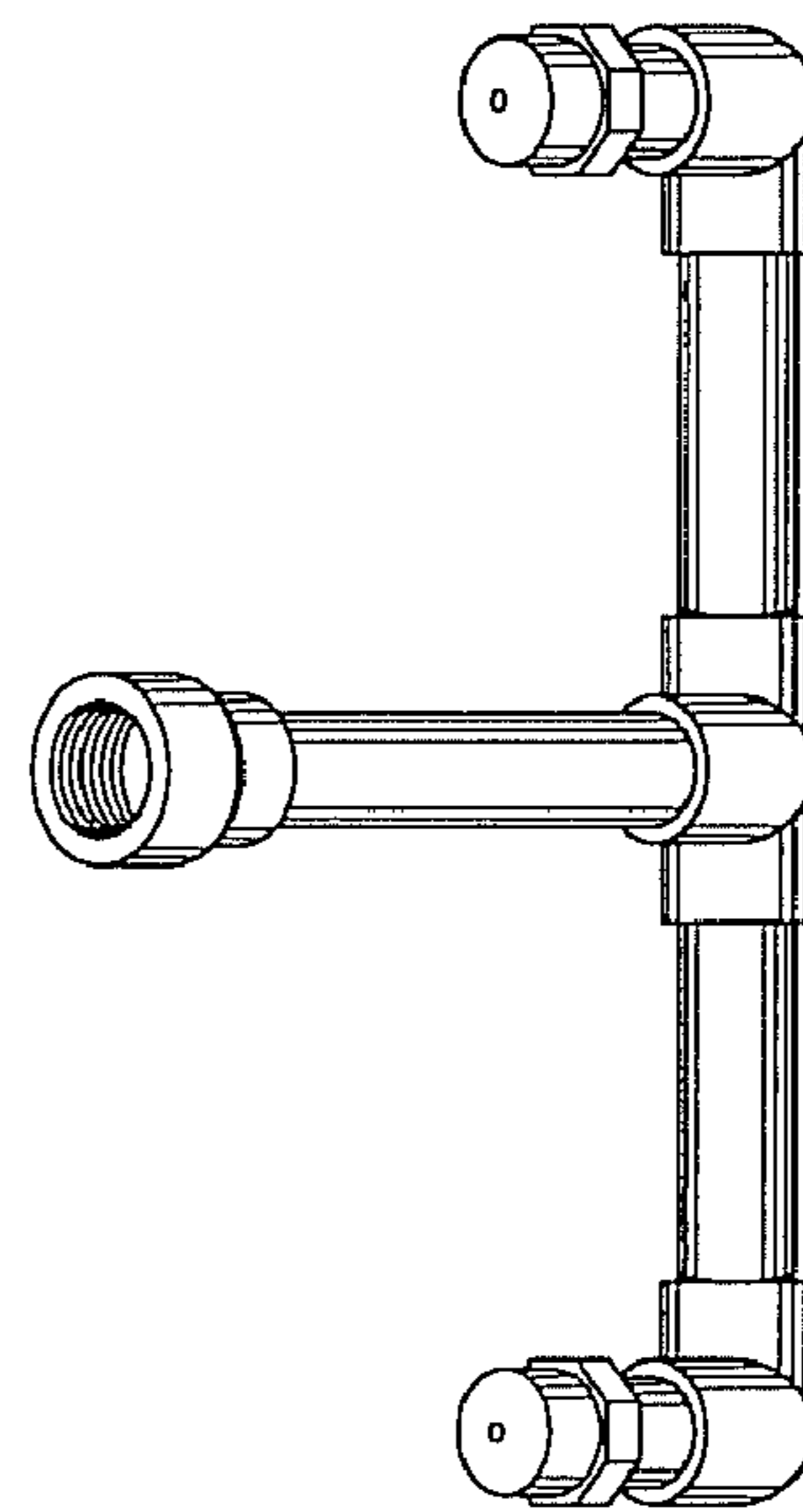


Fig. 6

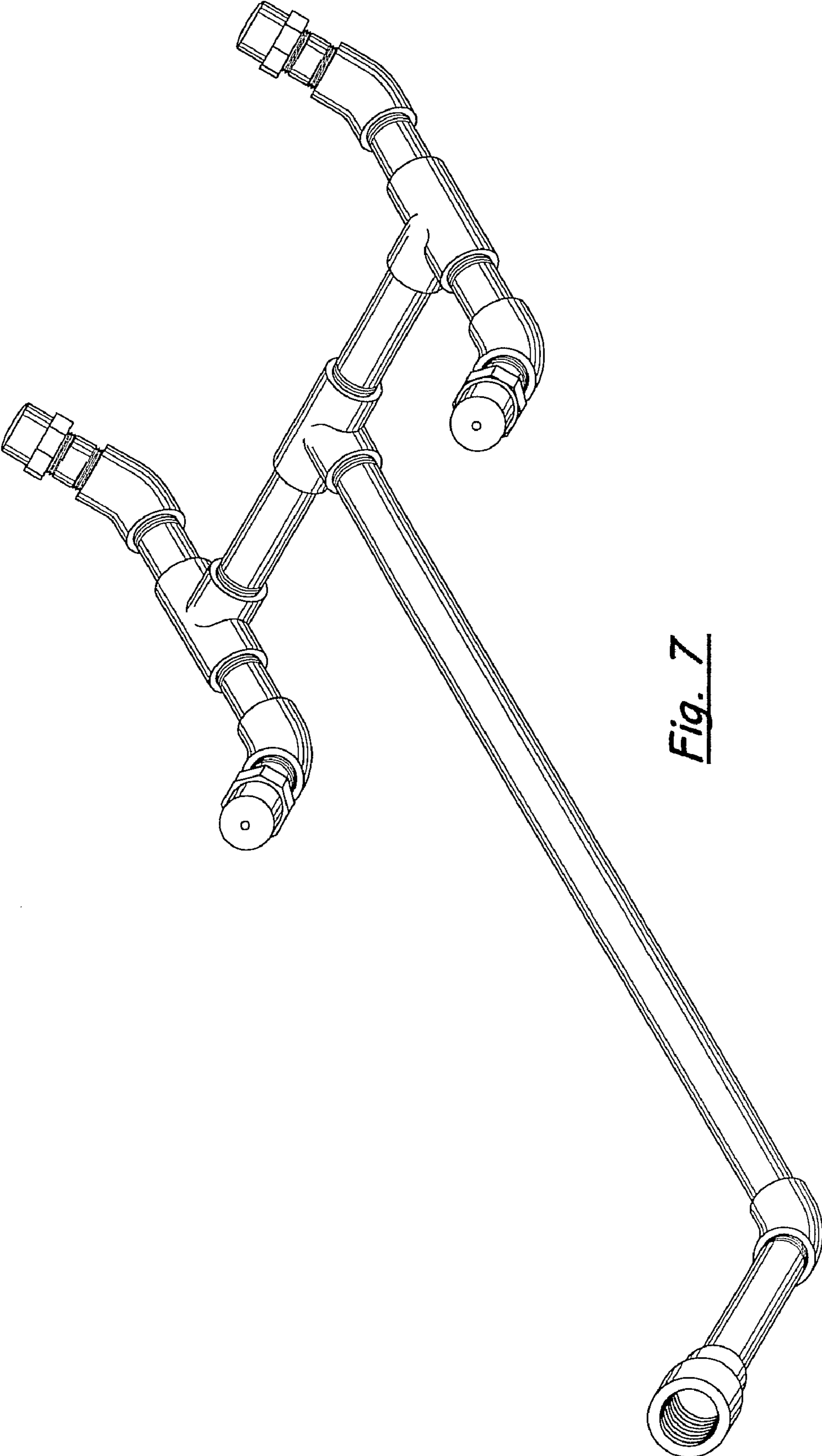


Fig. 7

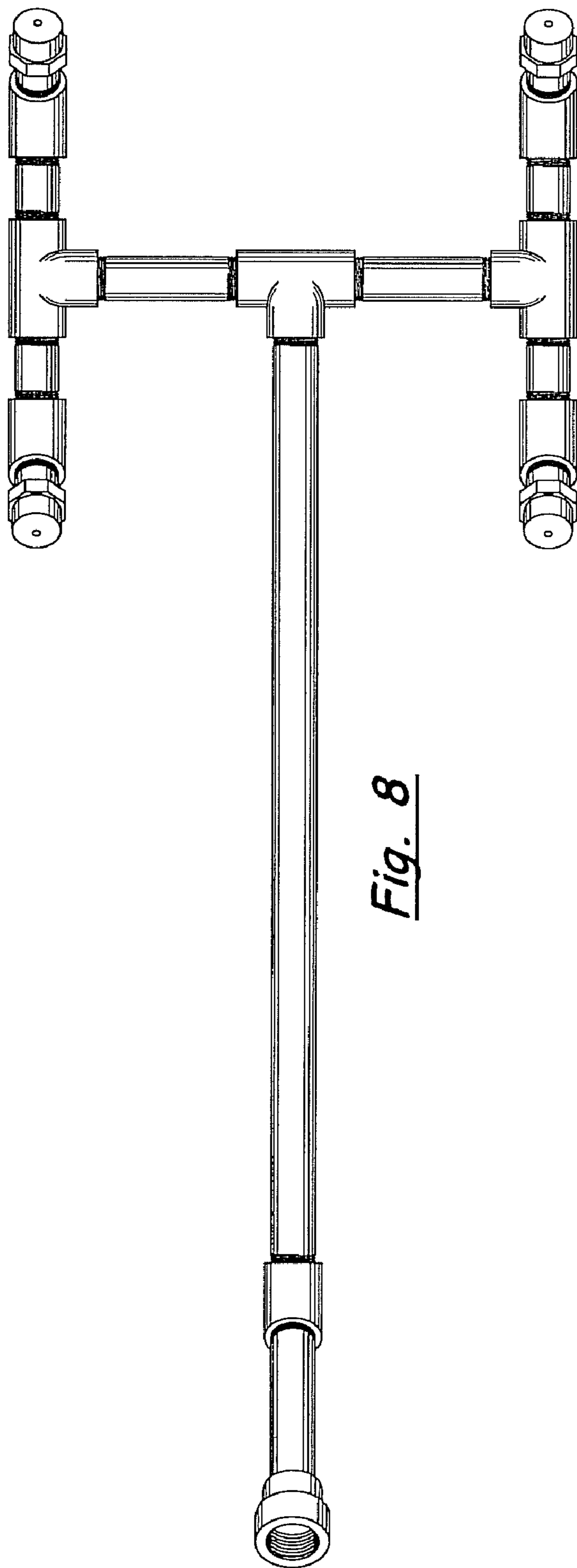


Fig. 8

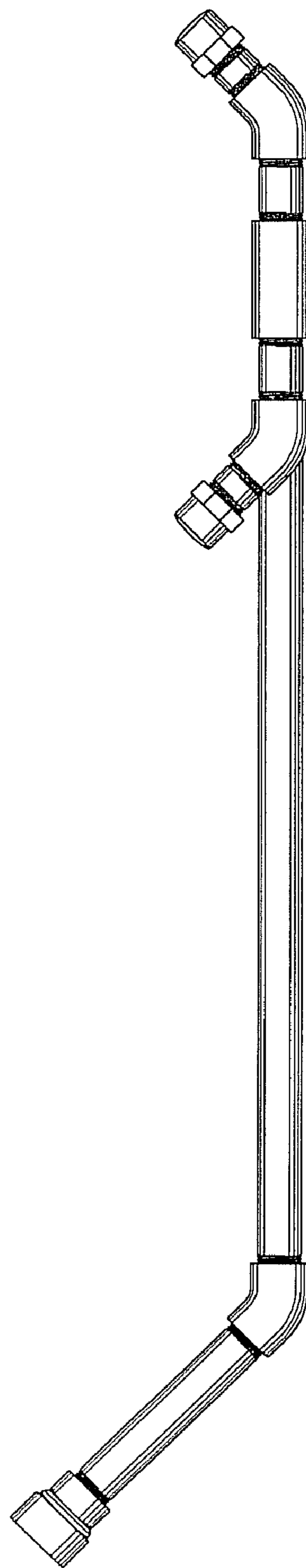


Fig. 9

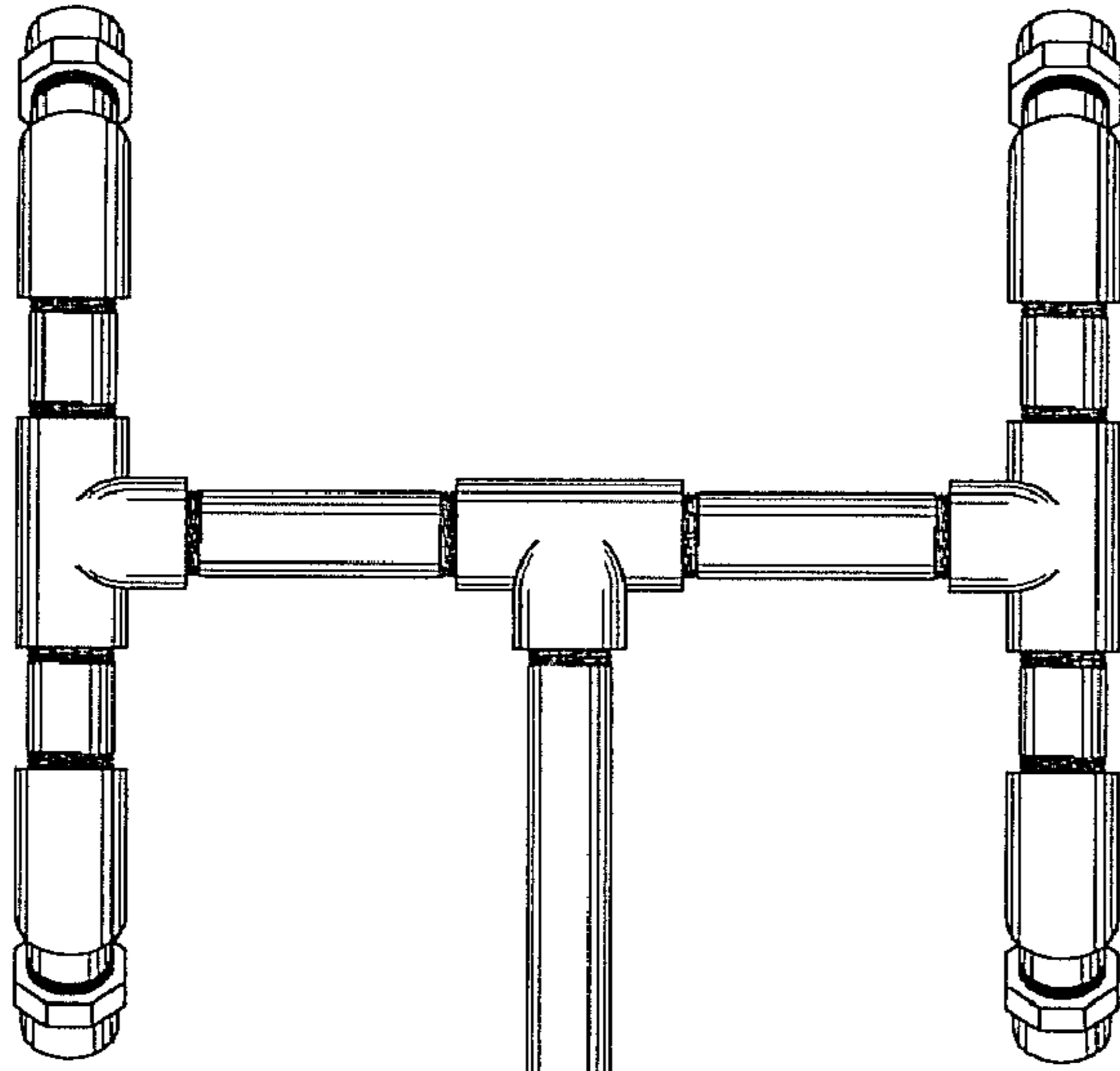


Fig. 10

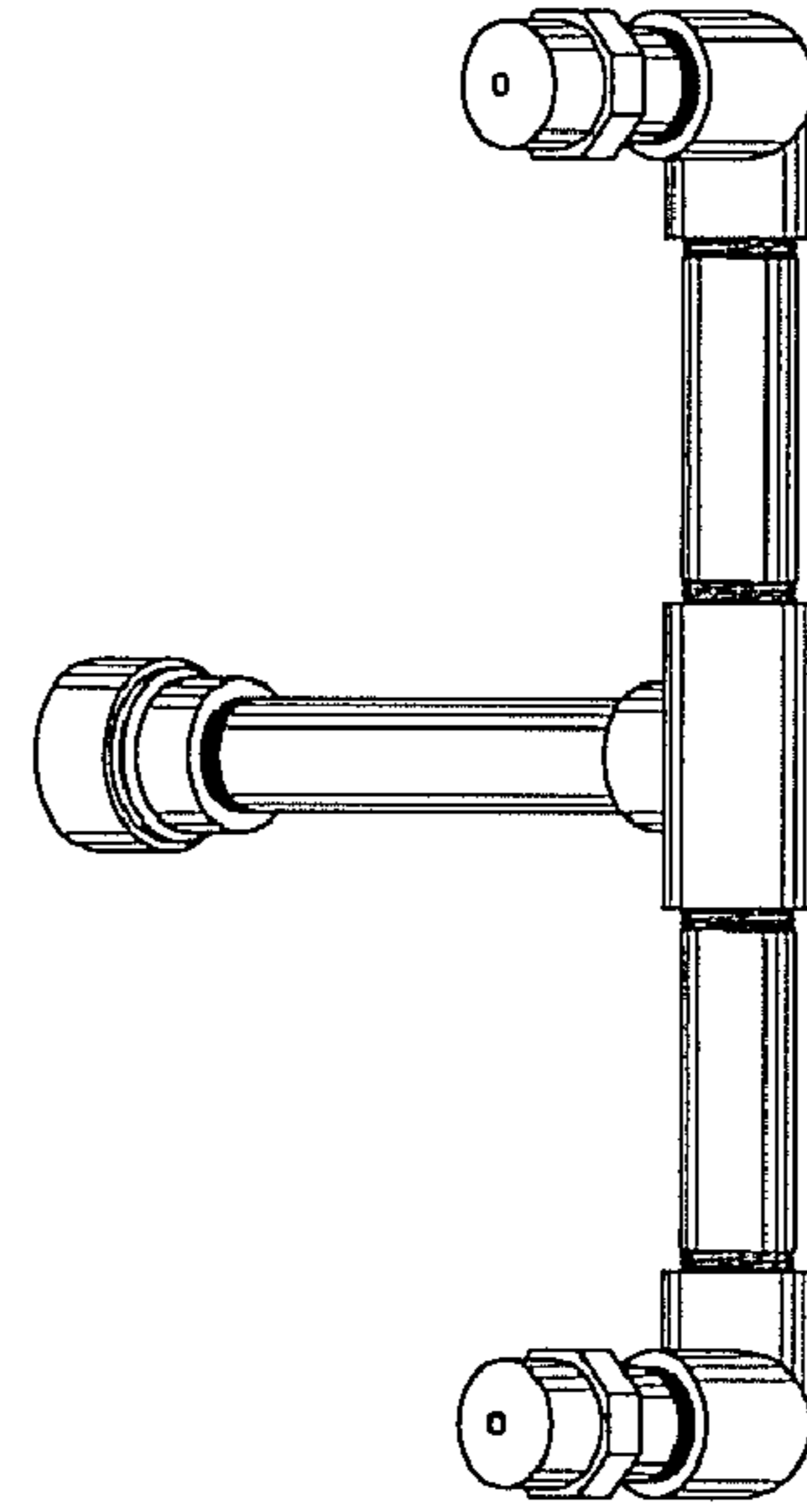


Fig. 11

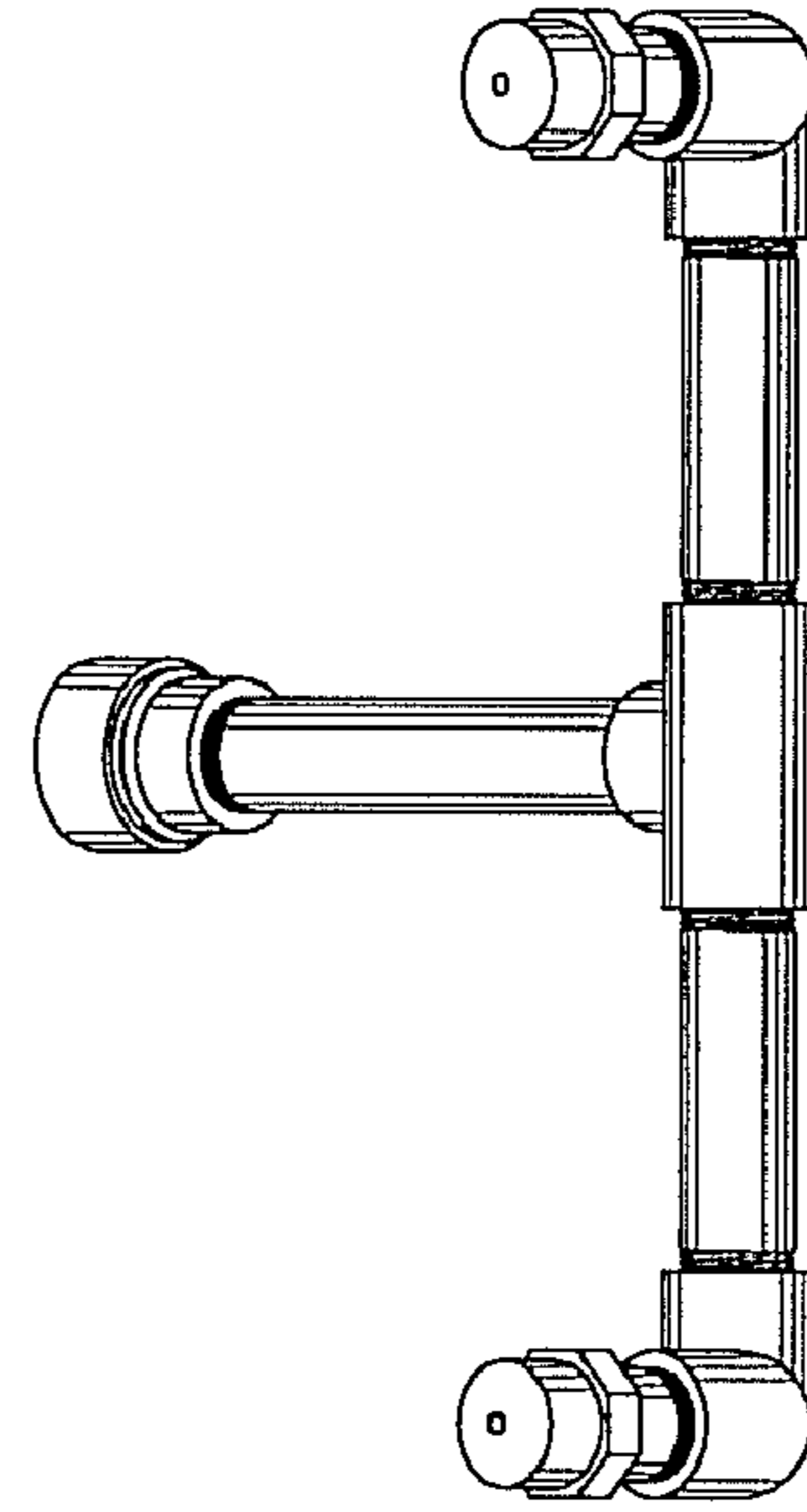


Fig. 12

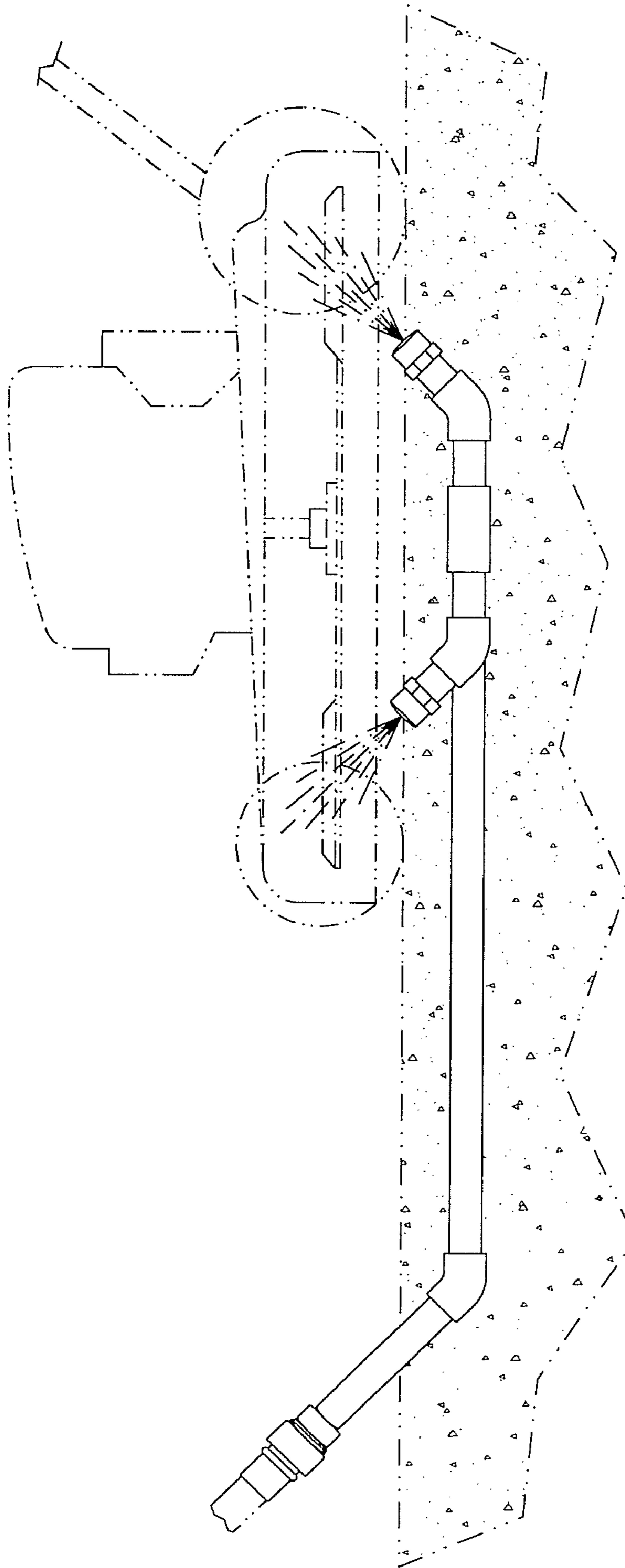


Fig. 13