



US00D631940S

(12) **United States Design Patent**
Bertucci et al.

(10) **Patent No.:** **US D631,940 S**
(45) **Date of Patent:** **** Feb. 1, 2011**

(54) **FLUID DISPENSER**

(75) Inventors: **Michael H. Bertucci**, Gurnee, IL (US);
Christopher F. Lang, Racine, WI (US);
Susan K. Lewis, Gurnee, IL (US);
Justin M. Nunez, Milwaukee, WI (US);
Timothy S. Jones, Sharpsburg, GA
(US); **Steven E. Schiller**, Kenosha, WI
(US); **Wayne P. Phillips**, Hudson, WI
(US); **Jerome A. Grunstad**, Inver Grove
Heights, MN (US)

5,905,312 A 5/1999 Liou
6,029,688 A 2/2000 Kaufman
6,079,871 A 6/2000 Jonas et al.
6,173,458 B1 1/2001 Maddux
D463,226 S * 9/2002 Winkler D8/2

(Continued)

FOREIGN PATENT DOCUMENTS

DE 4026283 2/1991

(Continued)

(73) Assignee: **Diversey, Inc.**, Sturtevant, WI (US)

Primary Examiner—Brian N Vinson

(**) Term: **14 Years**

(74) *Attorney, Agent, or Firm*—Gregory S. Bollis

(21) Appl. No.: **29/365,645**

(57) **CLAIM**

(22) Filed: **Jul. 13, 2010**

The ornamental design for a fluid dispenser, as shown and described.

Related U.S. Application Data

DESCRIPTION

(60) Continuation of application No. 29/342,206, filed on Aug. 20, 2009, now Pat. No. Des. 619,676, which is a division of application No. 29/291,940, filed on Sep. 21, 2007, now Pat. No. Des. 599,879.

FIG. 1 is a top, front, and left side perspective view of a fluid dispenser showing my new design;

FIG. 2 is a left side elevational view thereof;

FIG. 3 is a front elevational view thereof;

(51) **LOC (9) Cl.** **23-02**

(52) **U.S. Cl.** **D23/208**

(58) **Field of Classification Search** D15/147,
D15/199; D8/2; D23/200, 207, 208, 213,
D23/223; 366/129, 162.1–162.3, 336, 342,
366/344; 290/54; 222/52–59

FIG. 4 is a right side elevational view thereof;

FIG. 5 is a rear elevational view thereof;

FIG. 6 is a top plan view thereof;

FIG. 7 is an additional top, front, and left side perspective view thereof;

FIG. 8 is an additional left side elevational view thereof;

FIG. 9 is an additional front elevational view thereof;

FIG. 10 is an additional right side elevational view thereof;

FIG. 11 is an additional rear elevational view thereof; and,

FIG. 12 is an additional top plan view thereof.

See application file for complete search history.

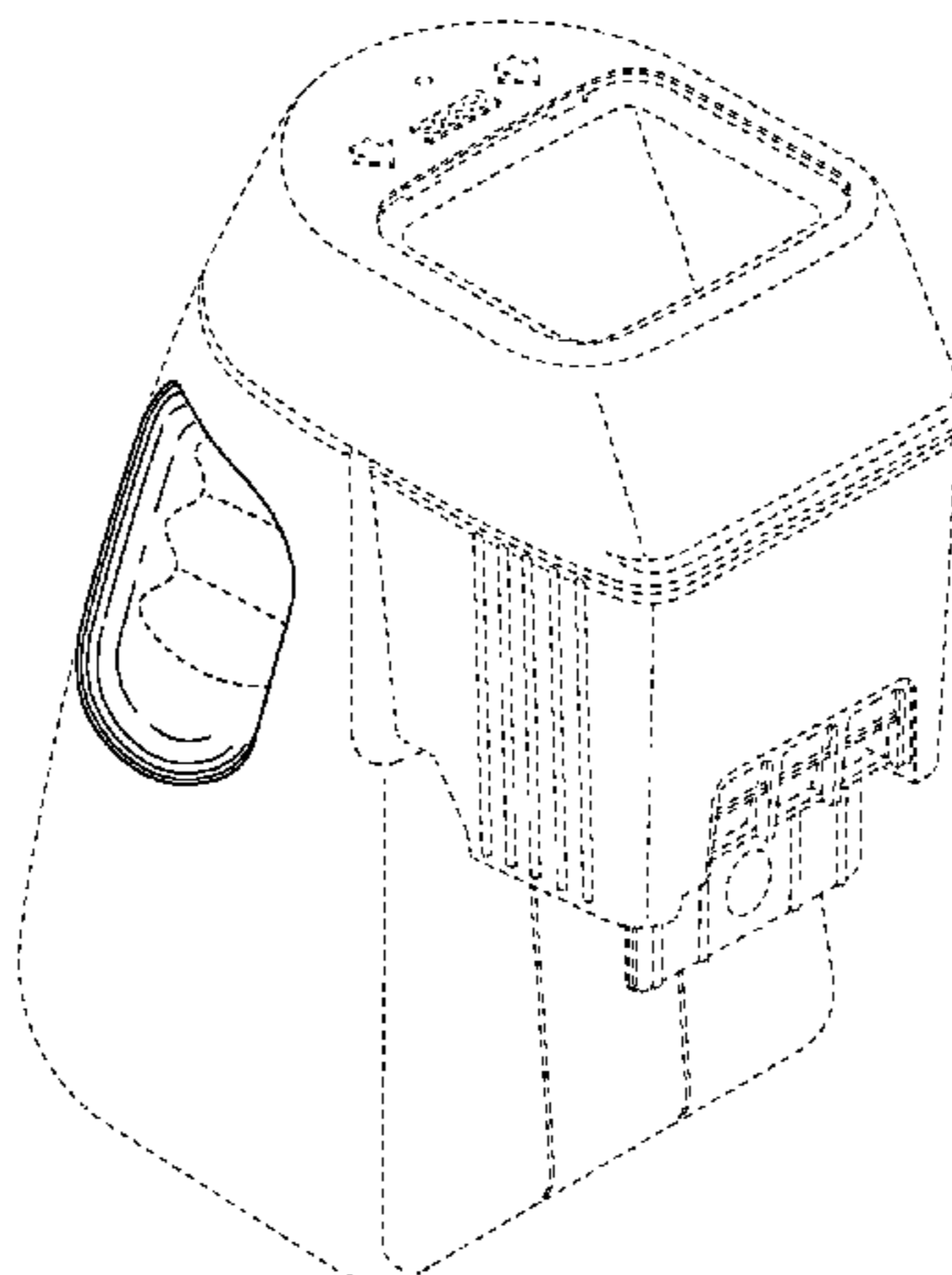
The broken-line disclosure in the views is understood to represent portions of the article in which the claimed design is embodied, but which form no part of the claimed design.

(56) **References Cited**

U.S. PATENT DOCUMENTS

3,346,144 A 10/1967 Hings
3,620,415 A 11/1971 Ruth
3,642,171 A 2/1972 Ernst
3,984,698 A 10/1976 Brewer
4,023,778 A 5/1977 Joly et al.
4,363,341 A 12/1982 Powell
4,538,919 A 9/1985 Bohnensieker
D333,951 S * 3/1993 Courtney et al. D8/2

1 Claim, 12 Drawing Sheets



US D631,940 S

Page 2

U.S. PATENT DOCUMENTS

D510,609 S *	10/2005	Huang	D23/223	FR	1060506	4/1954
7,090,098 B2	8/2006	Livingston et al.		FR	2808898	11/2001
D534,044 S *	12/2006	Zak	D8/2	GB	19159067	6/1916
D540,906 S *	4/2007	Hardwick	D23/208	GB	266883	3/1927
7,235,894 B2	6/2007	Roos		GB	777043	6/1957
D571,432 S *	6/2008	Hardwick	D23/208	GB	974211	11/1964
D599,879 S	9/2009	Bertucci et al.		JP	9014129	1/1997
D619,676 S	7/2010	Bertucci et al.		JP	9048479	2/1997
2006/0043738 A1	3/2006	Roos		WO	97/48321	12/1997

FOREIGN PATENT DOCUMENTS

EP 0098419 1/1984

* cited by examiner

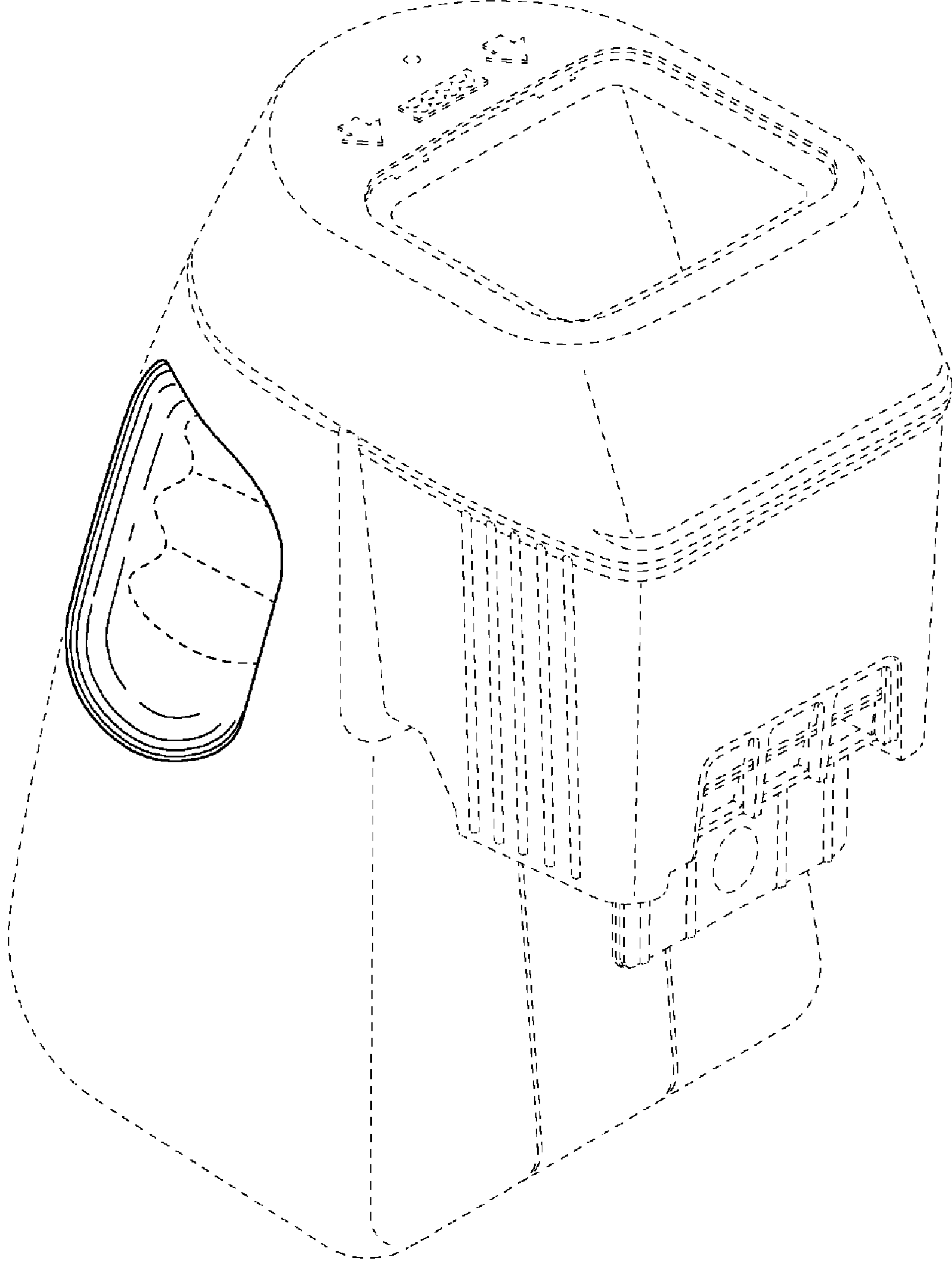


FIG. 1

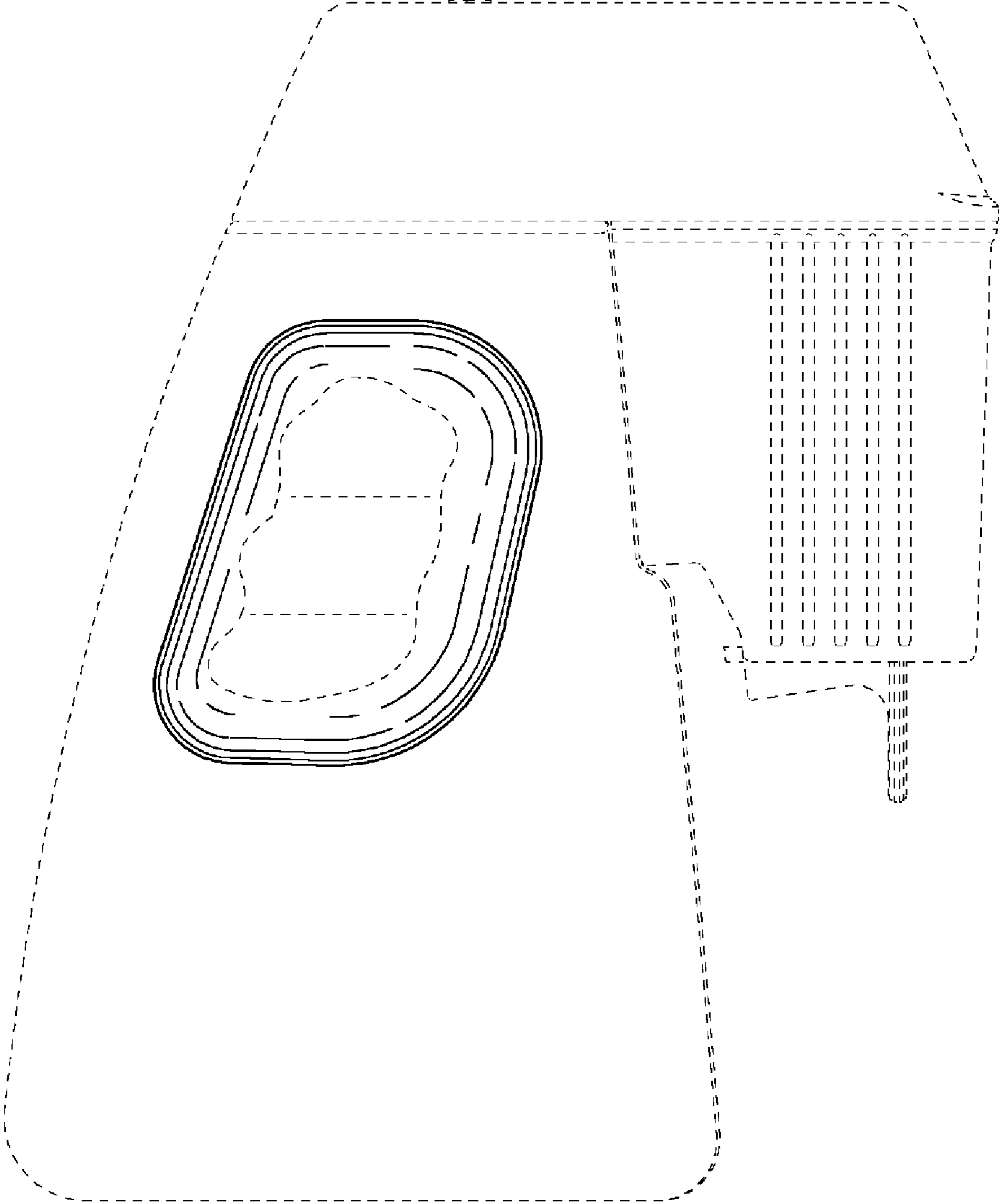


FIG. 2

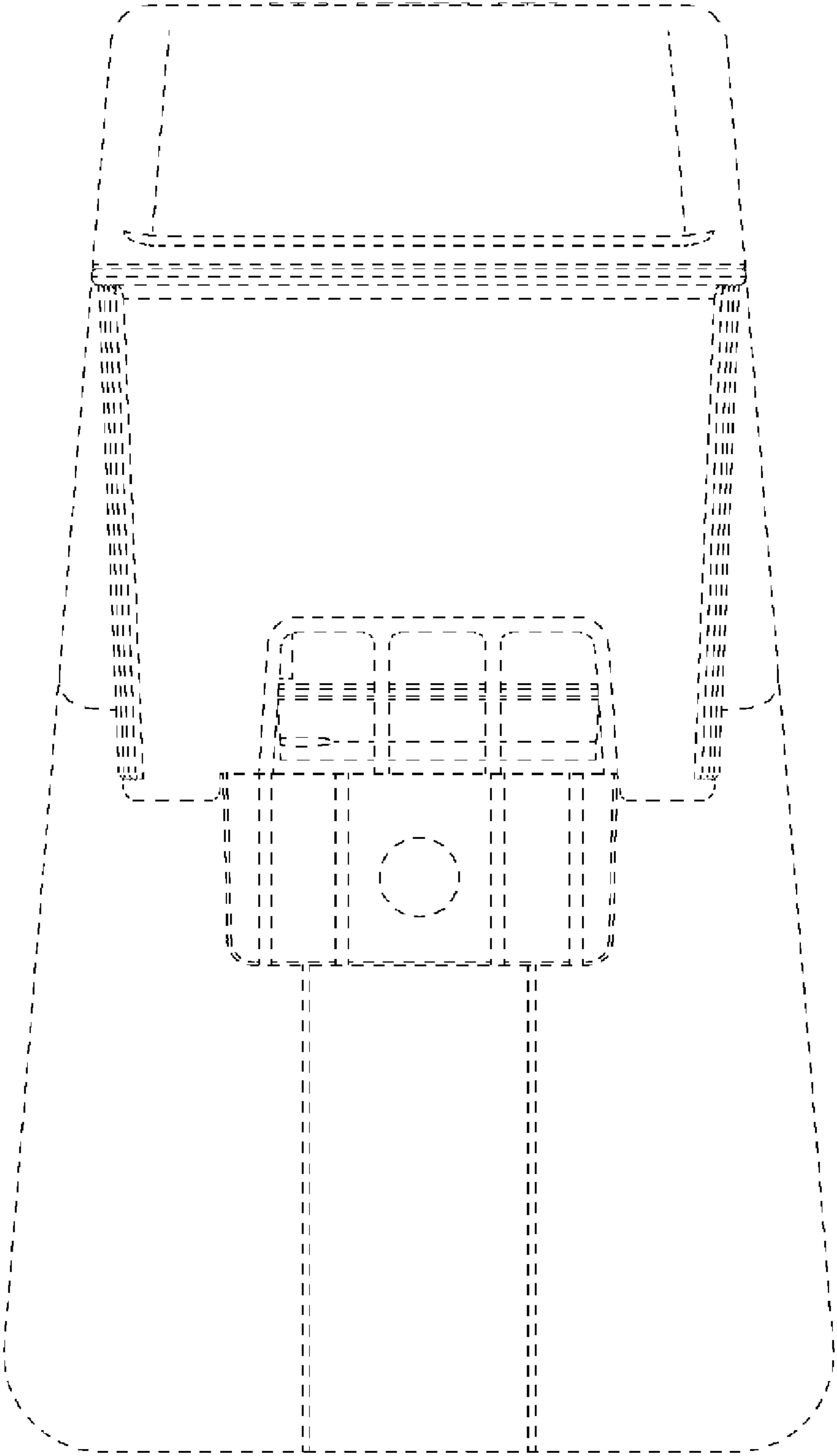


FIG. 3

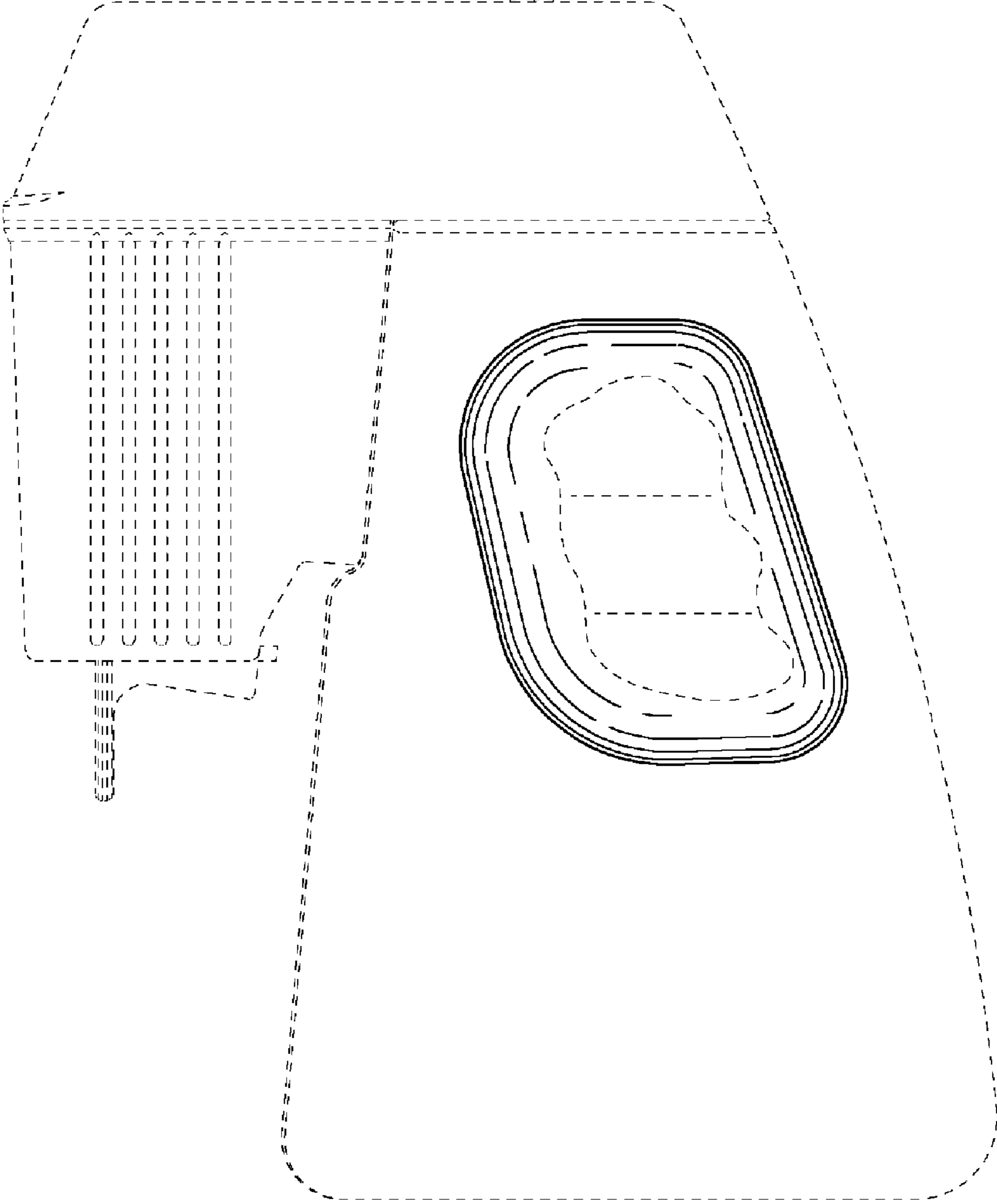


FIG. 4

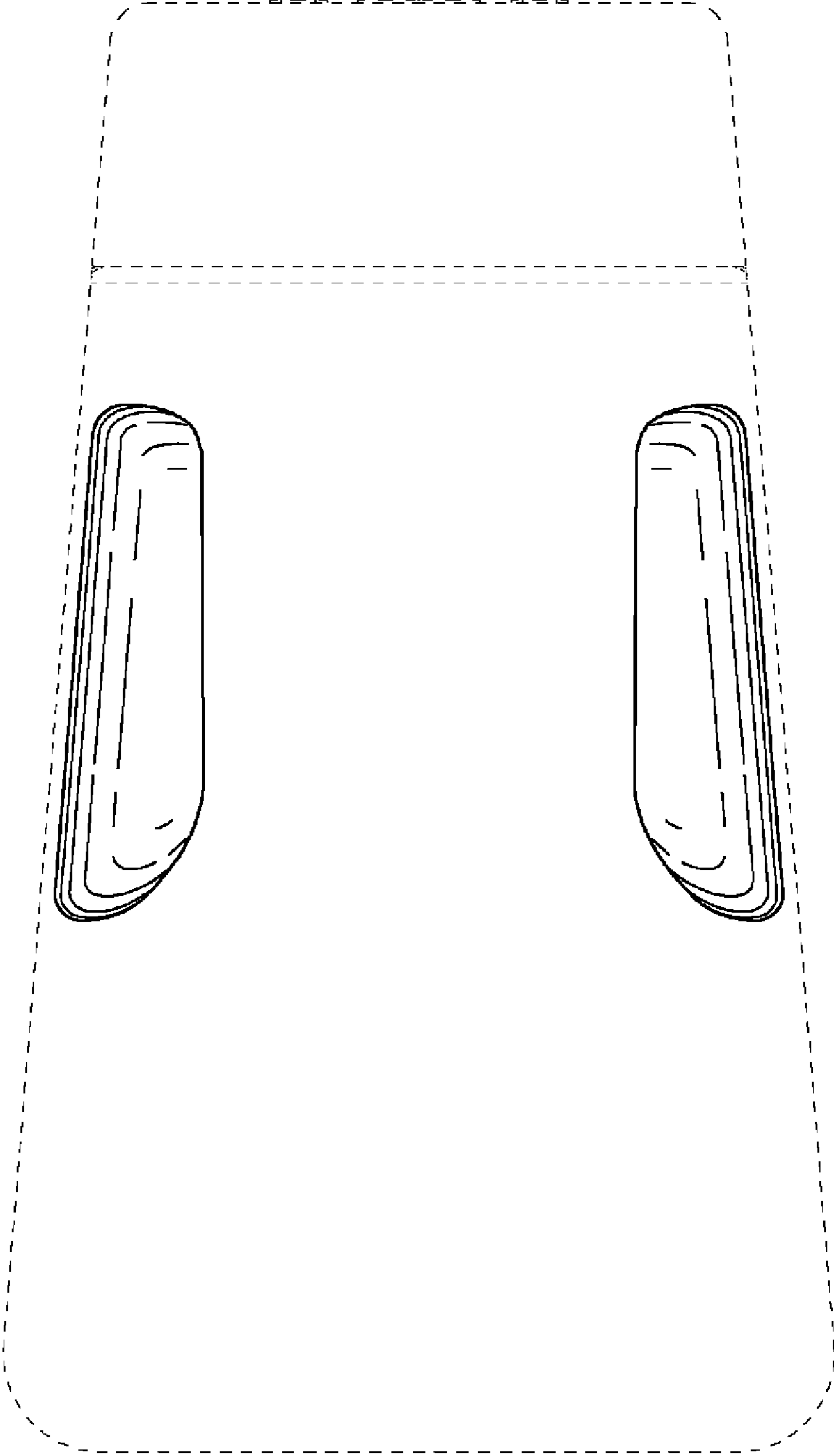


FIG. 5

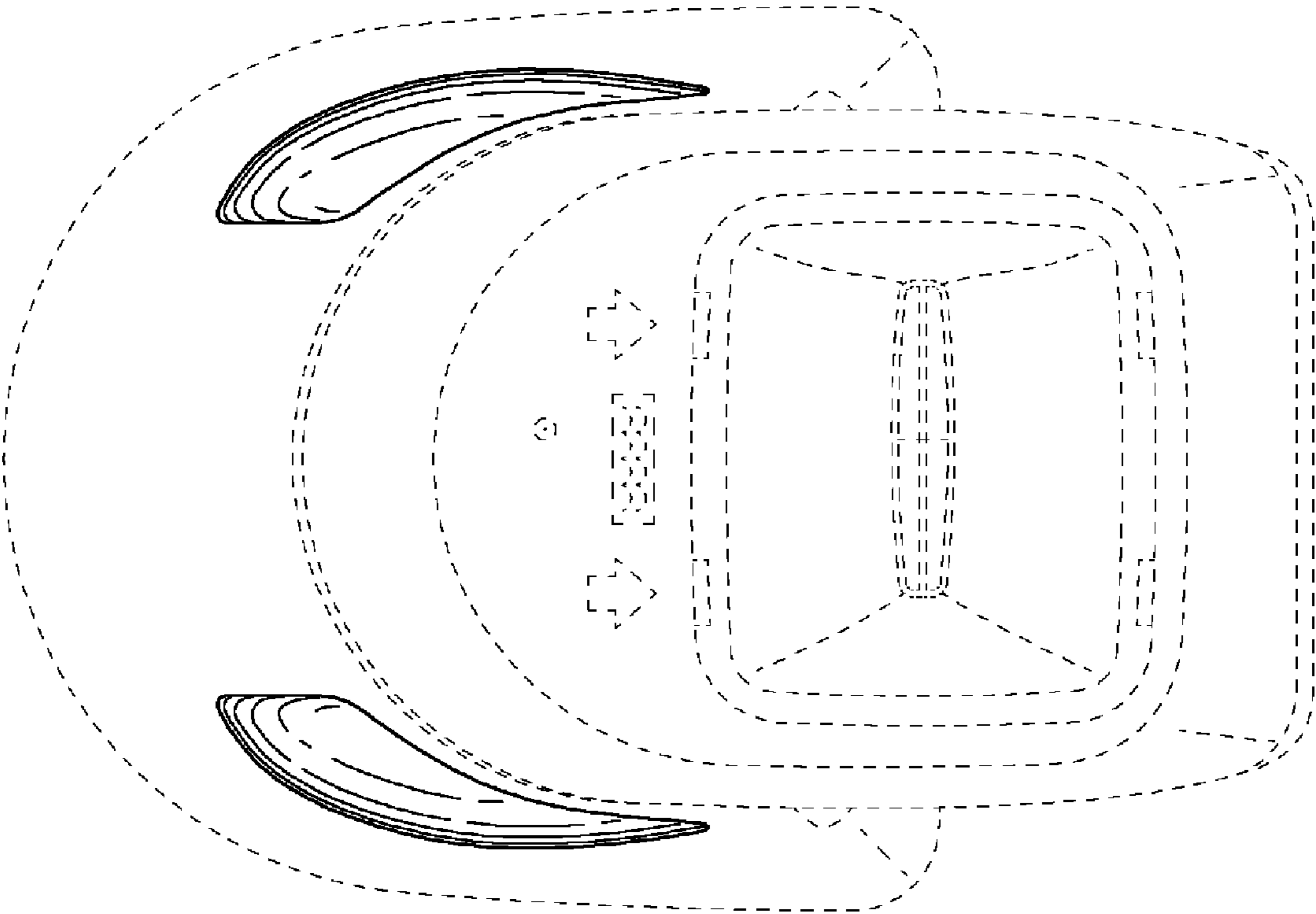


FIG. 6

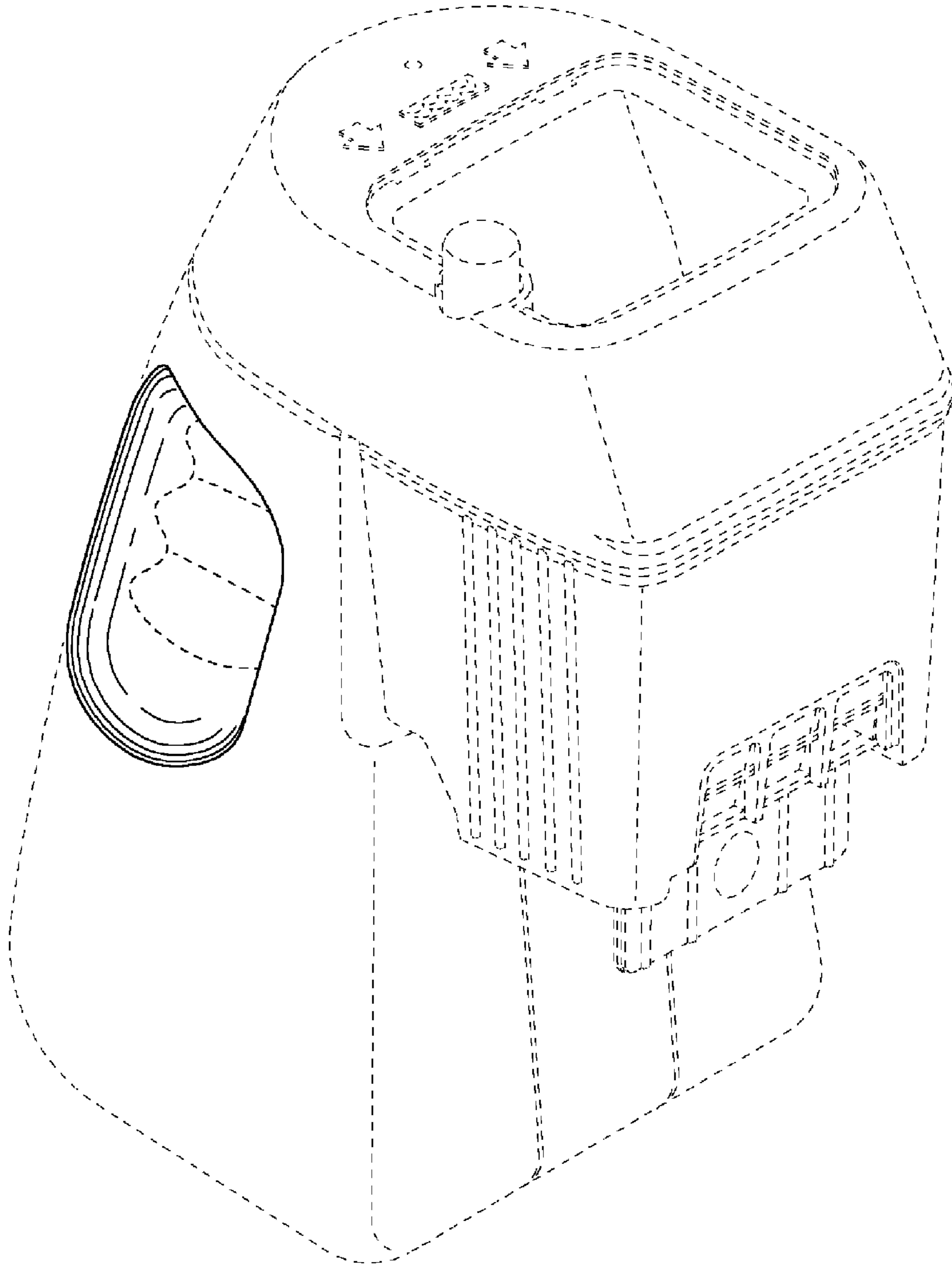


FIG. 7

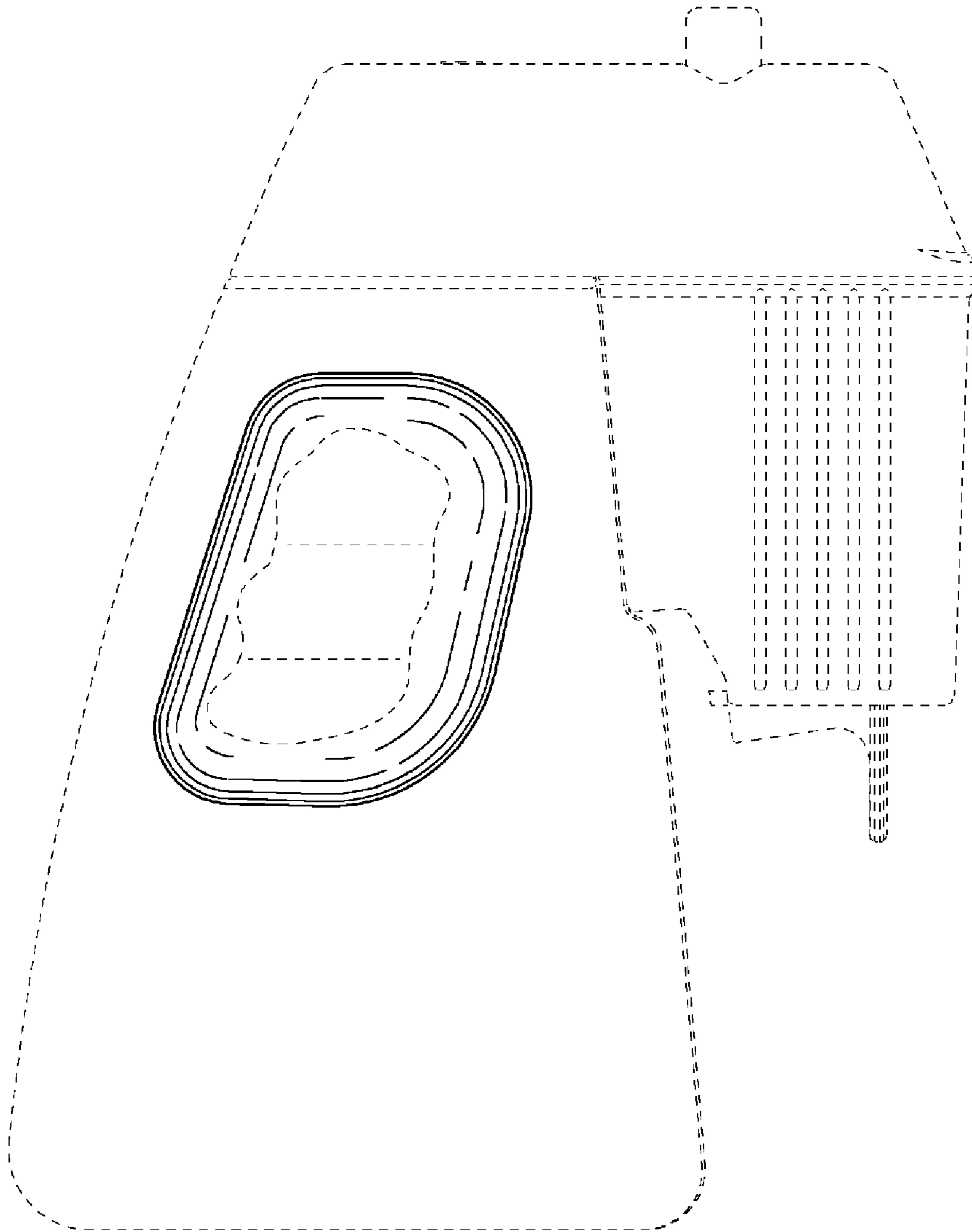


FIG. 8

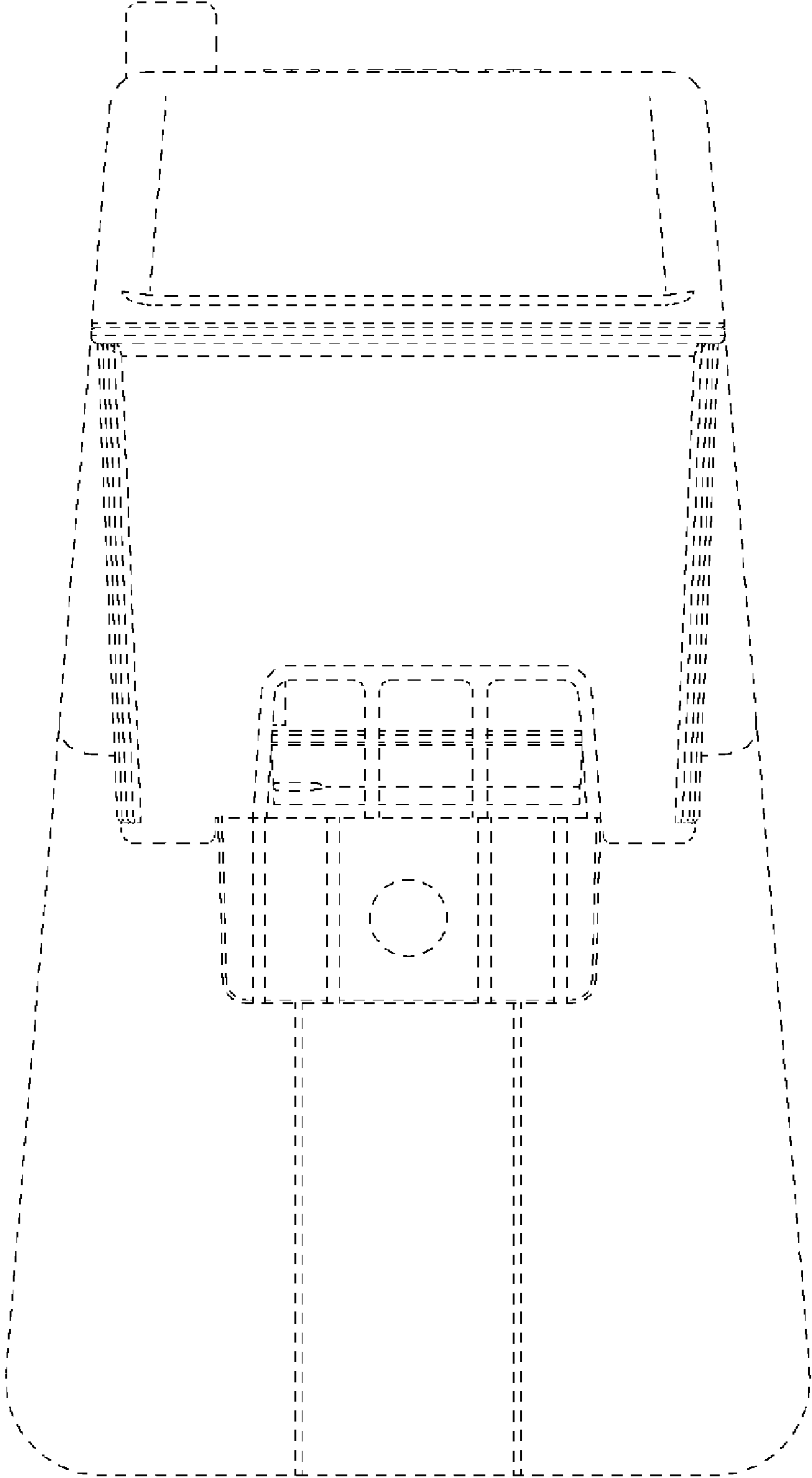


FIG. 9

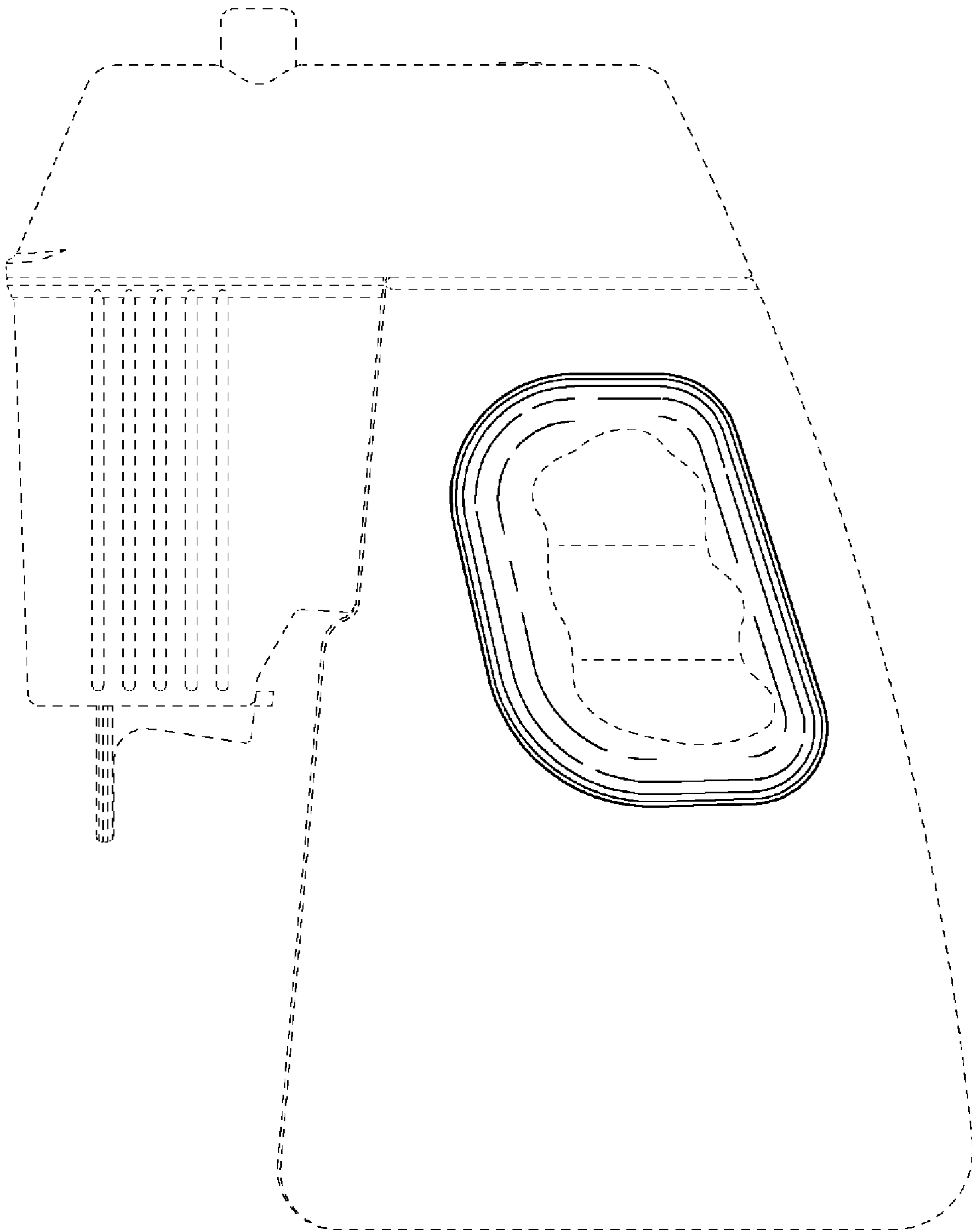


FIG. 10

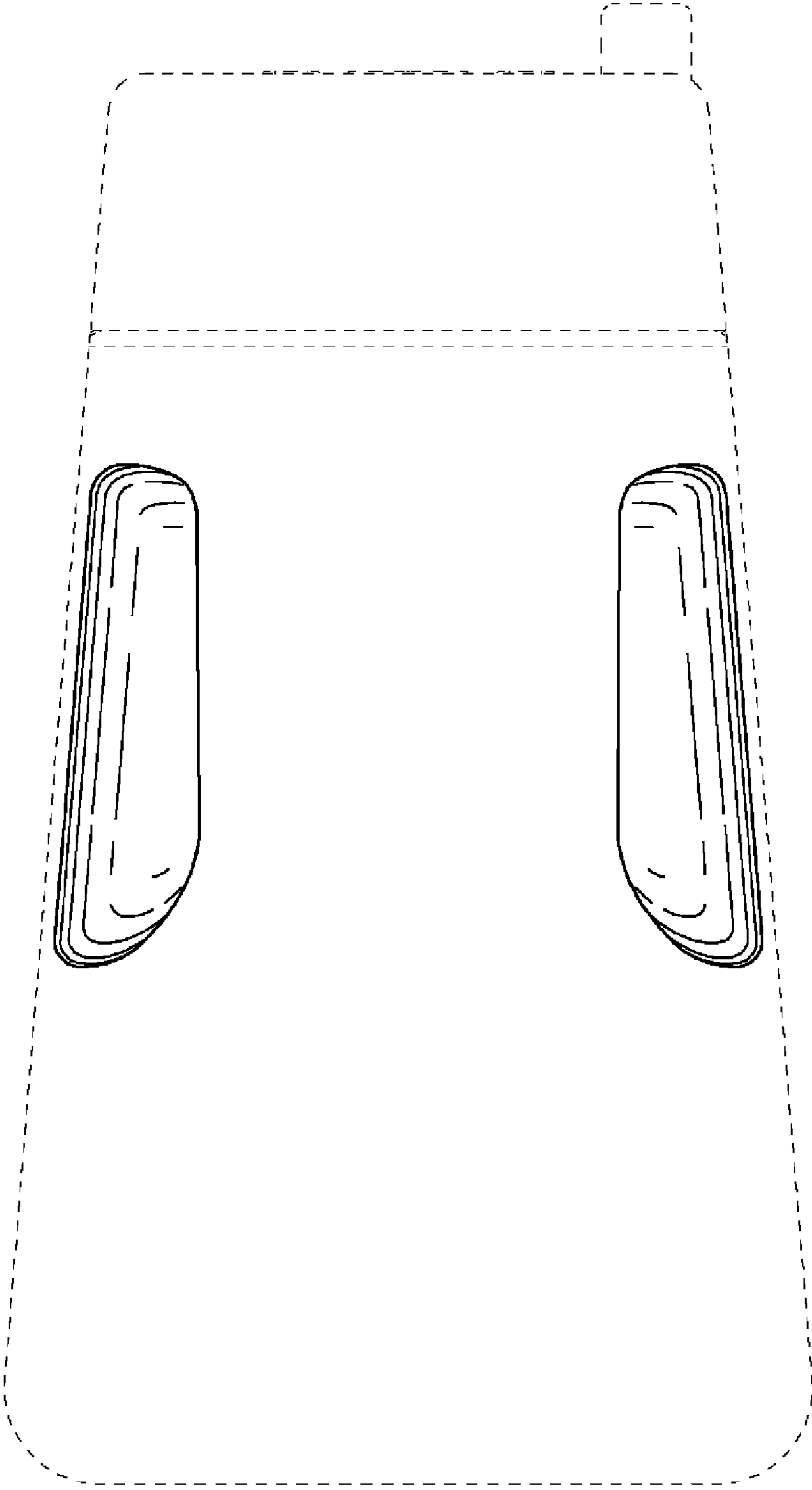


FIG. 11

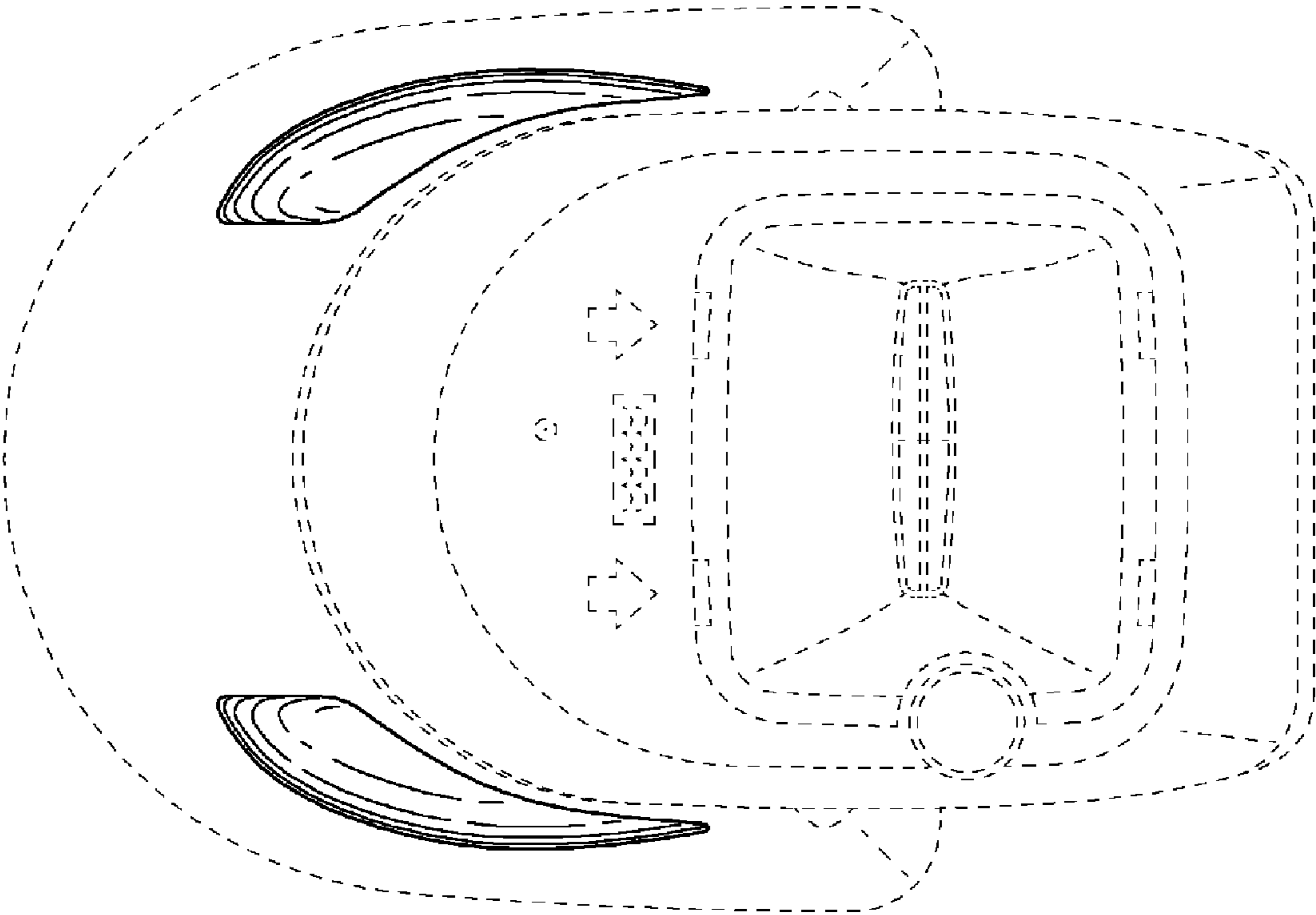


FIG. 12