

US00D631939S

(12) **United States Design Patent**
Eaton

(10) **Patent No.:** **US D631,939 S**
(45) **Date of Patent:** **** Feb. 1, 2011**

- (54) **UNIVERSAL TANK OVERLAY**
- (75) Inventor: **Edward J. Eaton**, Bay Shore, NY (US)
- (73) Assignee: **Lions Marketing & Promotions, LLC**, Bay Shore, NY (US)
- (**) Term: **14 Years**
- (21) Appl. No.: **29/376,159**
- (22) Filed: **Oct. 1, 2010**

D243,454 S	2/1977	Kerr et al.
5,893,479 A	4/1999	Berberat
D460,145 S	7/2002	Johnson
D559,942 S	1/2008	Rogers
2003/0054309 A1	3/2003	King

FOREIGN PATENT DOCUMENTS

CN 2006CN-20087684 8/2007

OTHER PUBLICATIONS

Advertisement for Tank Mate Custom Oil Tank dated Jun. 24, 2005 from Oil Storage Solutions from <http://www.oilstoragesolutions.com/tankmate.htm>.

Primary Examiner—Robin V Webster

(74) *Attorney, Agent, or Firm*—Harold G. Furlow, Esq.

Related U.S. Application Data

- (62) Division of application No. 29/355,610, filed on Feb. 10, 2010.

- (51) **LOC (9) Cl.** **23-01**
- (52) **U.S. Cl.** **D23/206**
- (58) **Field of Classification Search** D23/202–206; 428/99; 220/581, 587–586, 565
See application file for complete search history.

(57) **CLAIM**

The ornamental design for a universal tank overlay, as shown and described.

DESCRIPTION

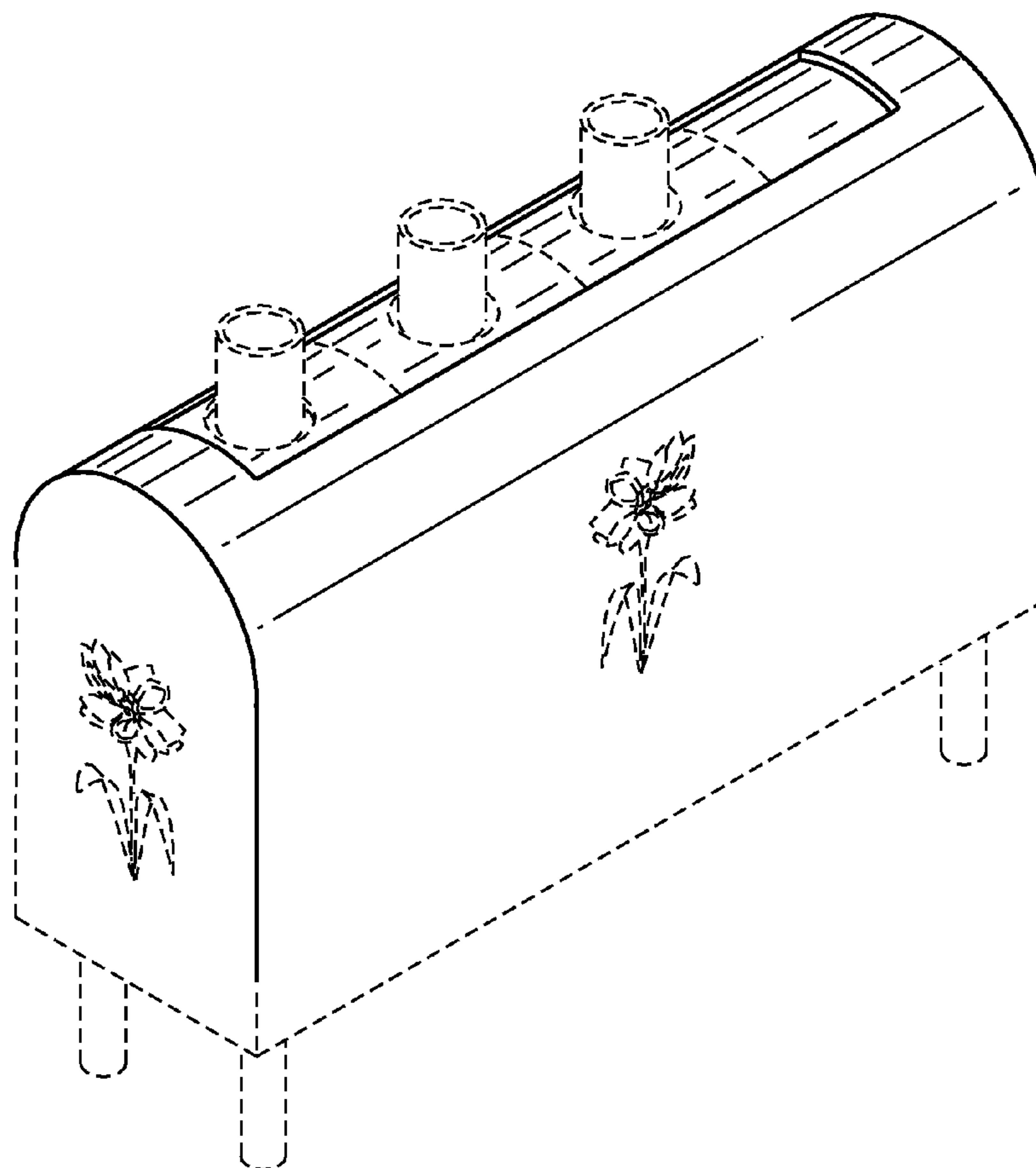
FIG. 1 is a front, side and top perspective view of a universal tank overlay;
FIG. 2 is a side elevation view thereof; and,
FIG. 3 is a rear view thereof.

(56) **References Cited**

U.S. PATENT DOCUMENTS

301,211 A	7/1884	Canan
2,928,565 A	3/1960	Glasoe

1 Claim, 3 Drawing Sheets



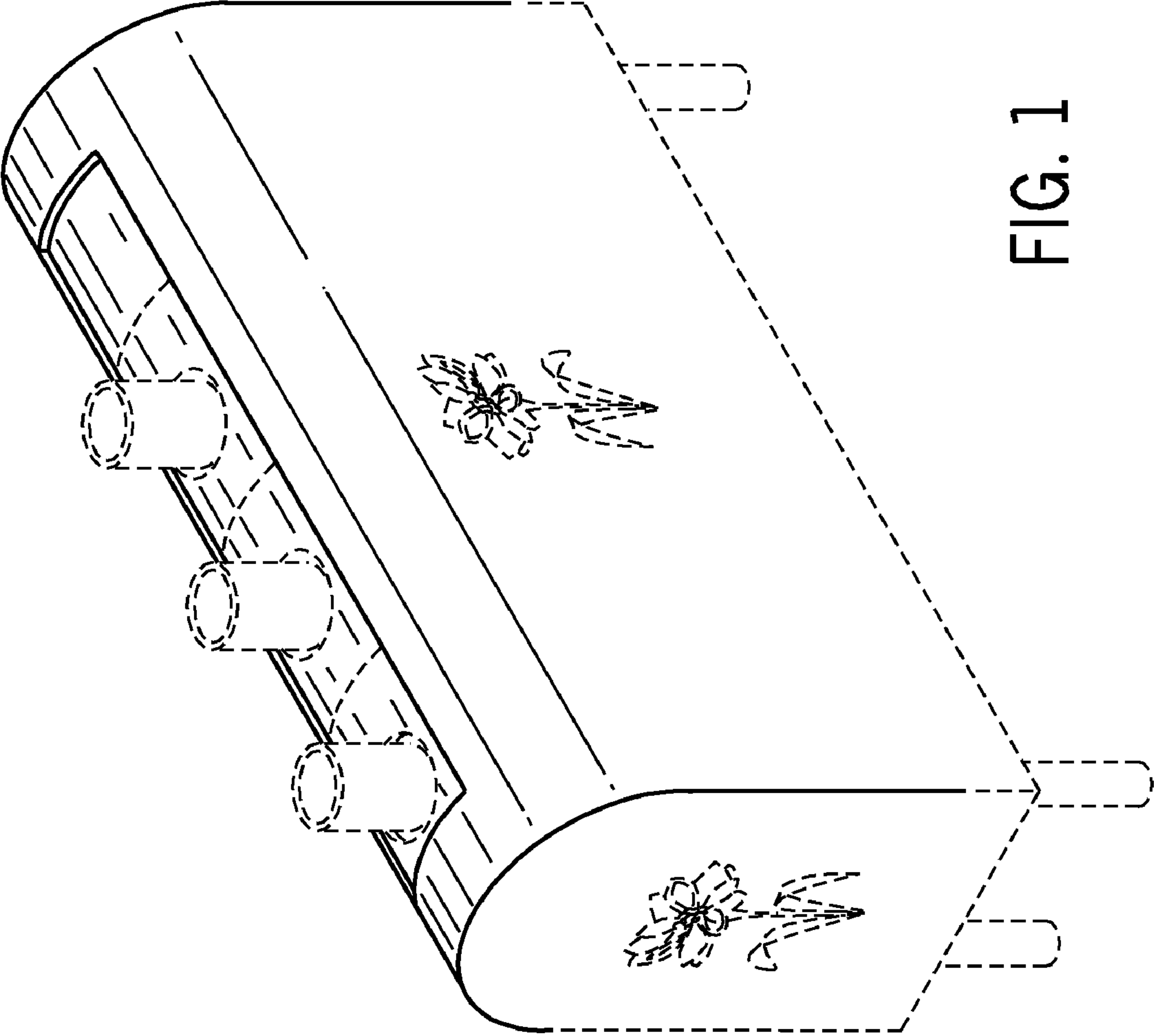


FIG. 1

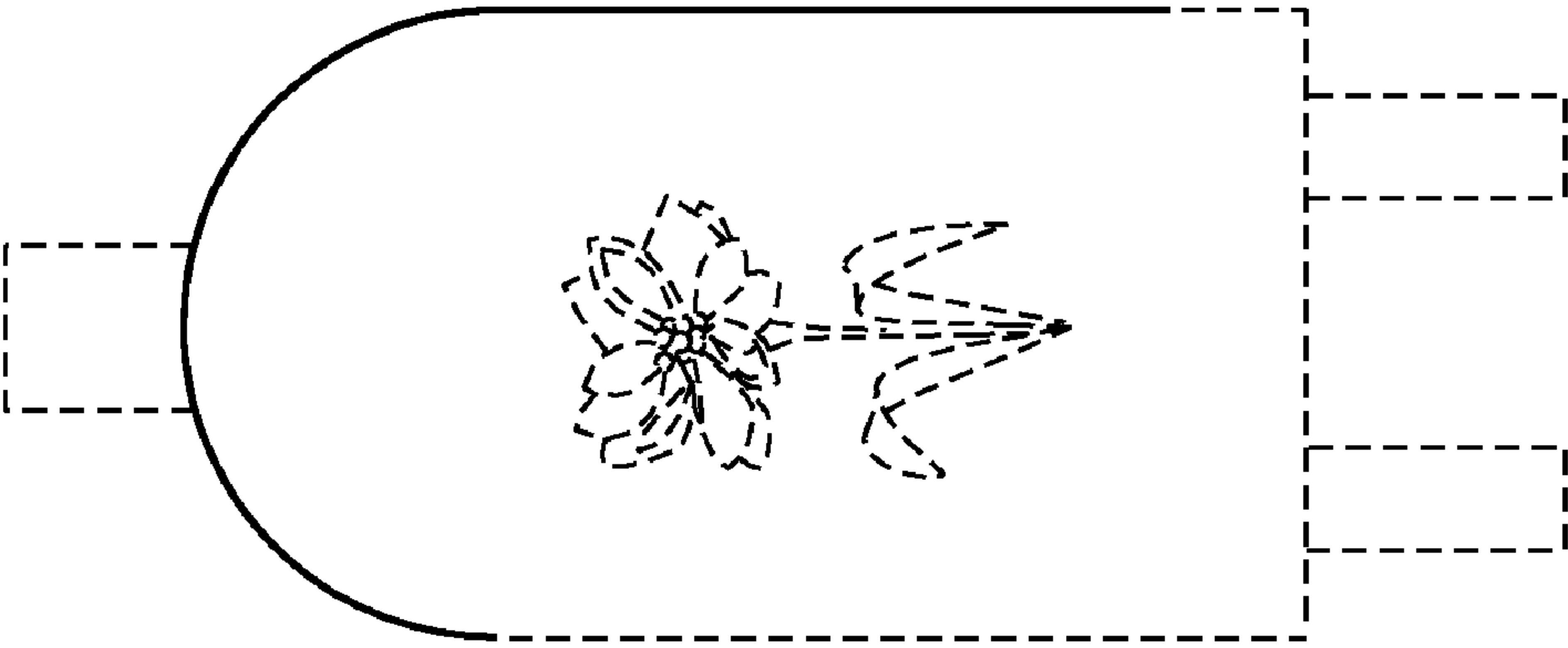


FIG. 2

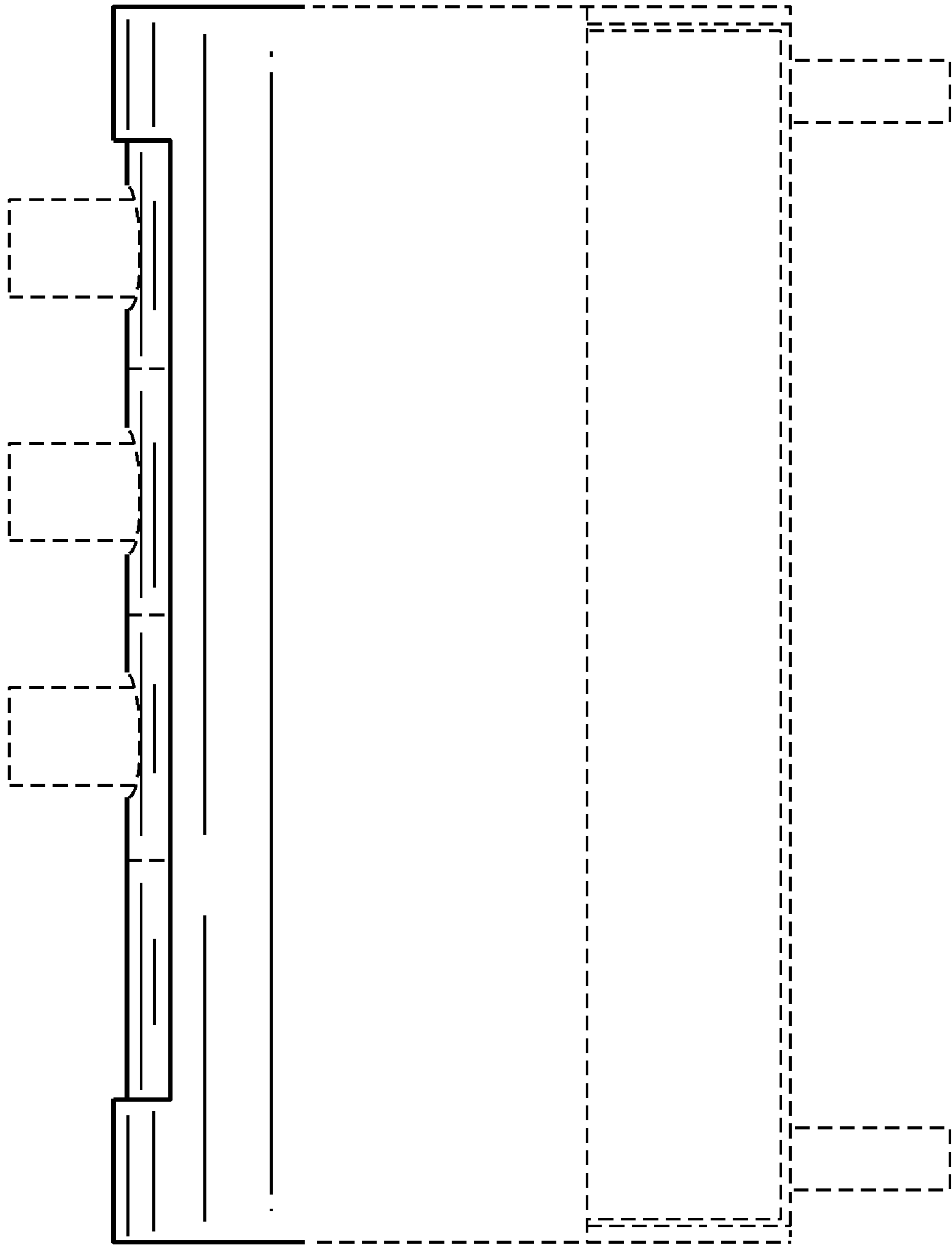


FIG. 3