



US00D631938S

(12) **United States Design Patent**
Fujioka et al.

(10) **Patent No.:** **US D631,938 S**

(45) **Date of Patent:** **** Feb. 1, 2011**

(54) **ROTOR FOR FISHING REEL**

D539,378 S * 3/2007 Kondo et al. D22/141
D613,365 S * 4/2010 Rodstein D22/141

(75) Inventors: **Masashi Fujioka**, Higashikurume (JP);
Wataru Tsutsumi, Higashikurume (JP);
Takashi Shibata, Higashikurume (JP);
Kyoichi Kaneko, Higashikurume (JP);
Takashi Kondoh, Musashino (JP)

* cited by examiner

Primary Examiner—Catherine R Oliver
(74) *Attorney, Agent, or Firm*—Sughrue Mion, PLLC

(73) Assignee: **Globeride, Inc.**, Tokyo (JP)

(57) **CLAIM**

(**) Term: **14 Years**

The ornamental design for a rotor for fishing reel, as shown and described.

(21) Appl. No.: **29/360,961**

DESCRIPTION

(22) Filed: **May 4, 2010**

(30) **Foreign Application Priority Data**

Nov. 6, 2009 (JP) D2009-026037

(51) **LOC (9) Cl.** **22-05**

(52) **U.S. Cl.** **D22/141**

(58) **Field of Classification Search** D22/141,
D22/137–138, 134, 140, 142; 43/19–22;
242/223–224, 230, 283, 311, 316, 322
See application file for complete search history.

FIG. 1 is a perspective view of front, left and bottom side of a rotor for fishing reel showing our new design;
FIG. 2 is a front view thereof;
FIG. 3 is a rear view thereof;
FIG. 4 is a top plan view thereof;
FIG. 5 is a bottom view thereof;
FIG. 6 is a left side view thereof;
FIG. 7 is a right side view thereof; and,
FIG. 8 is a side view of the design shown in use.

The portions of the article in broken lines are shown for illustrative purposes only and form no part of the claimed design.

(56) **References Cited**

U.S. PATENT DOCUMENTS

D412,196 S * 7/1999 Asano et al. D22/141
D500,835 S * 1/2005 Iwabuchi D22/141

1 Claim, 7 Drawing Sheets

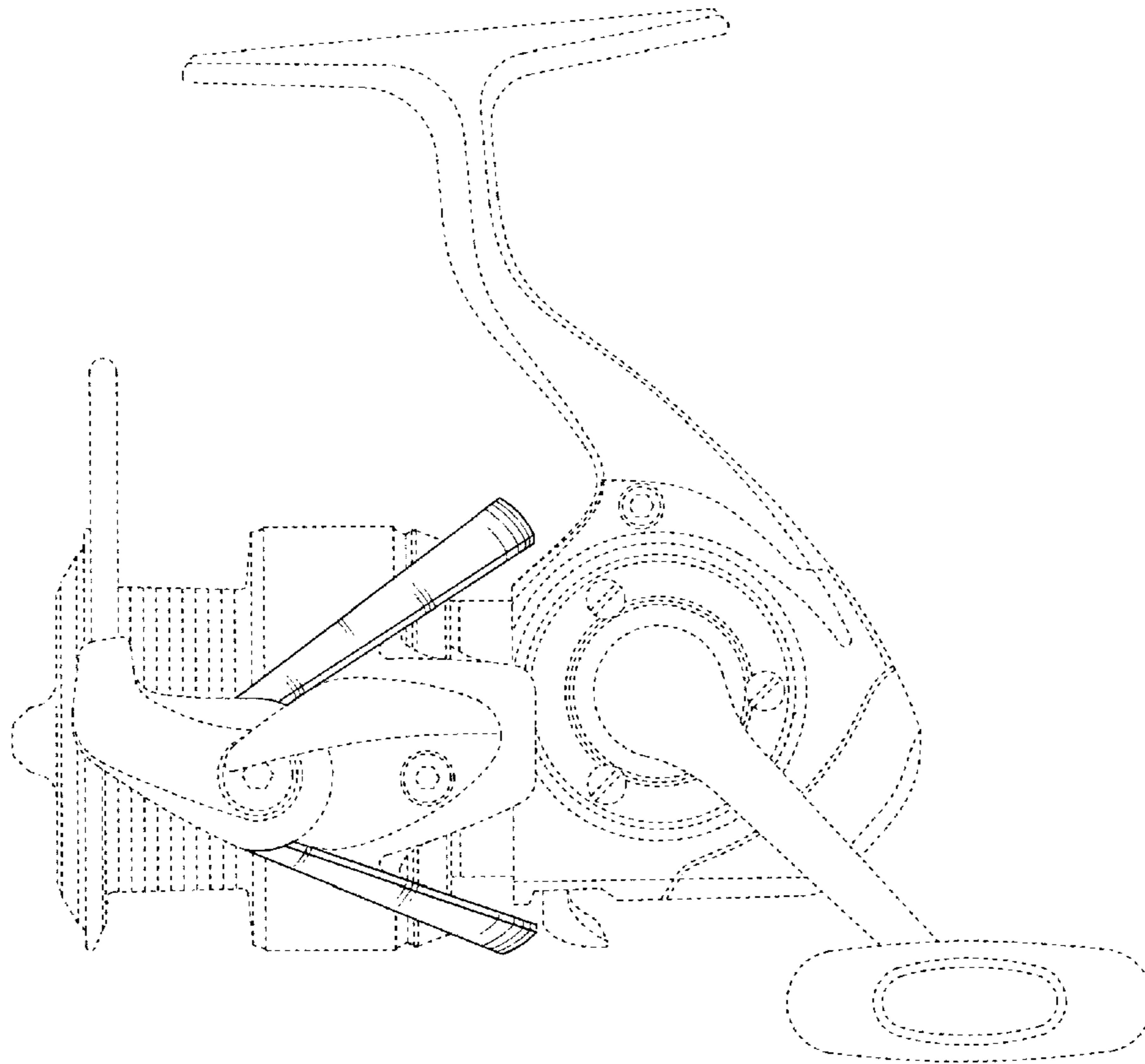


FIG.1

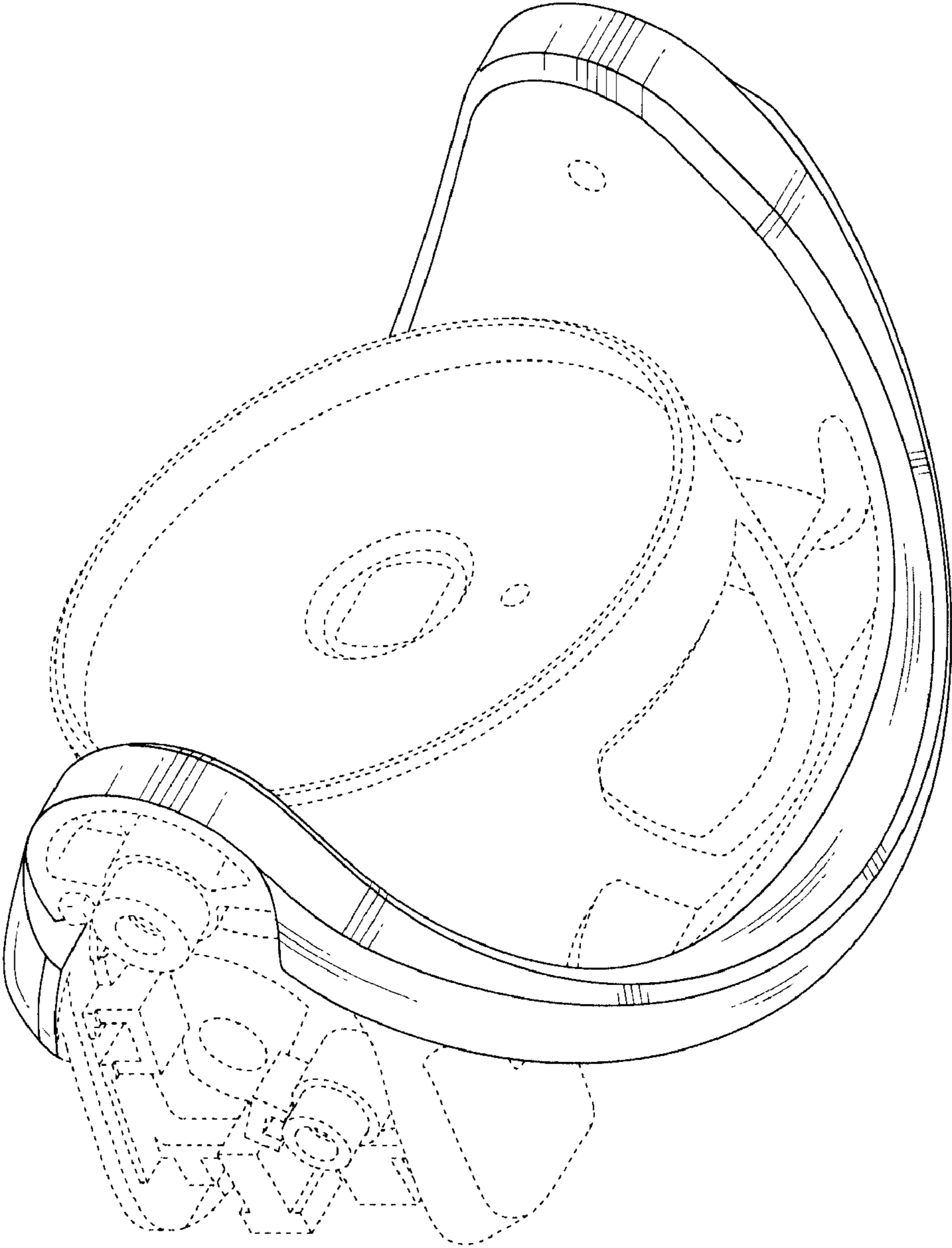


FIG.2

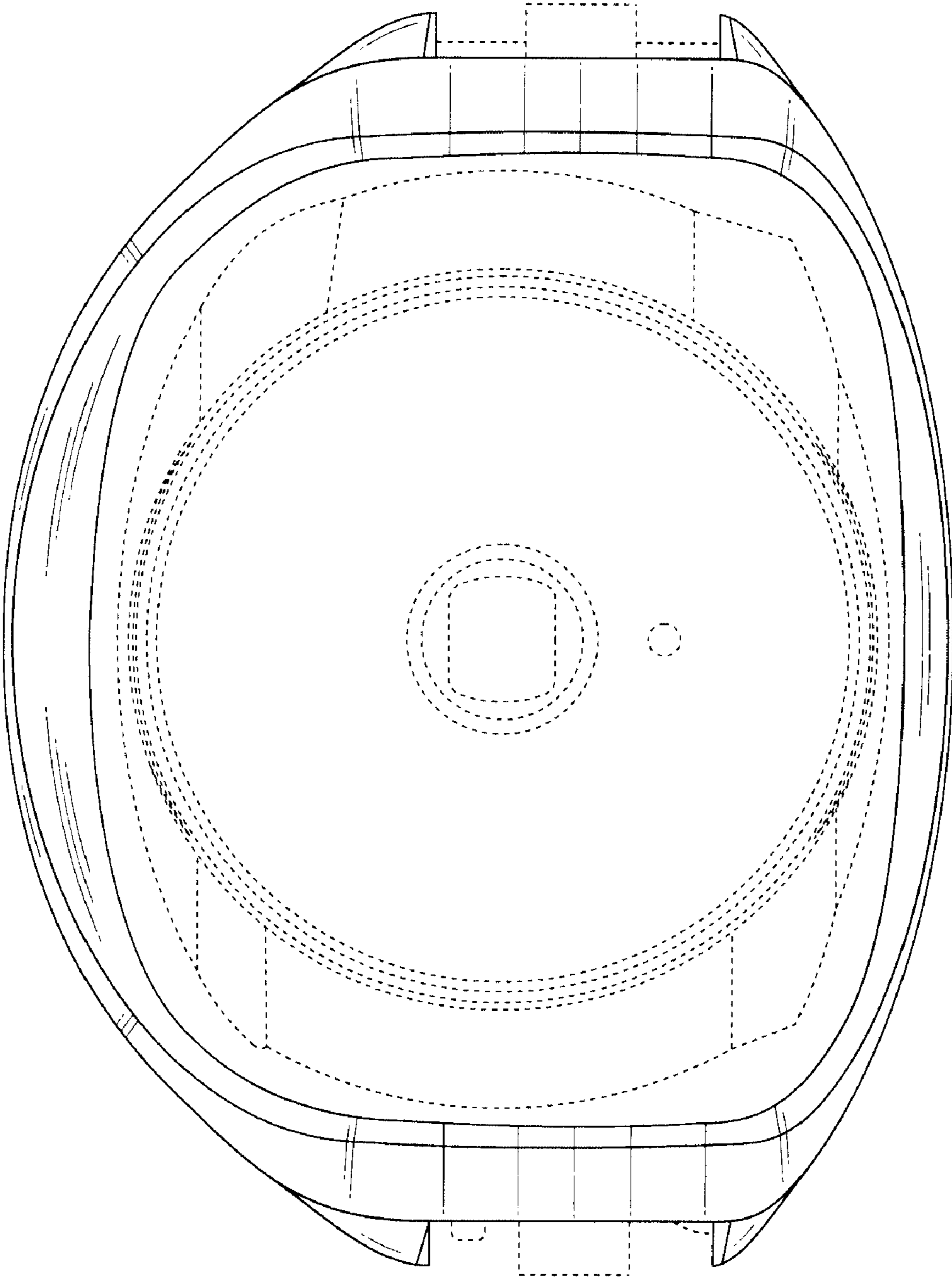


FIG.3

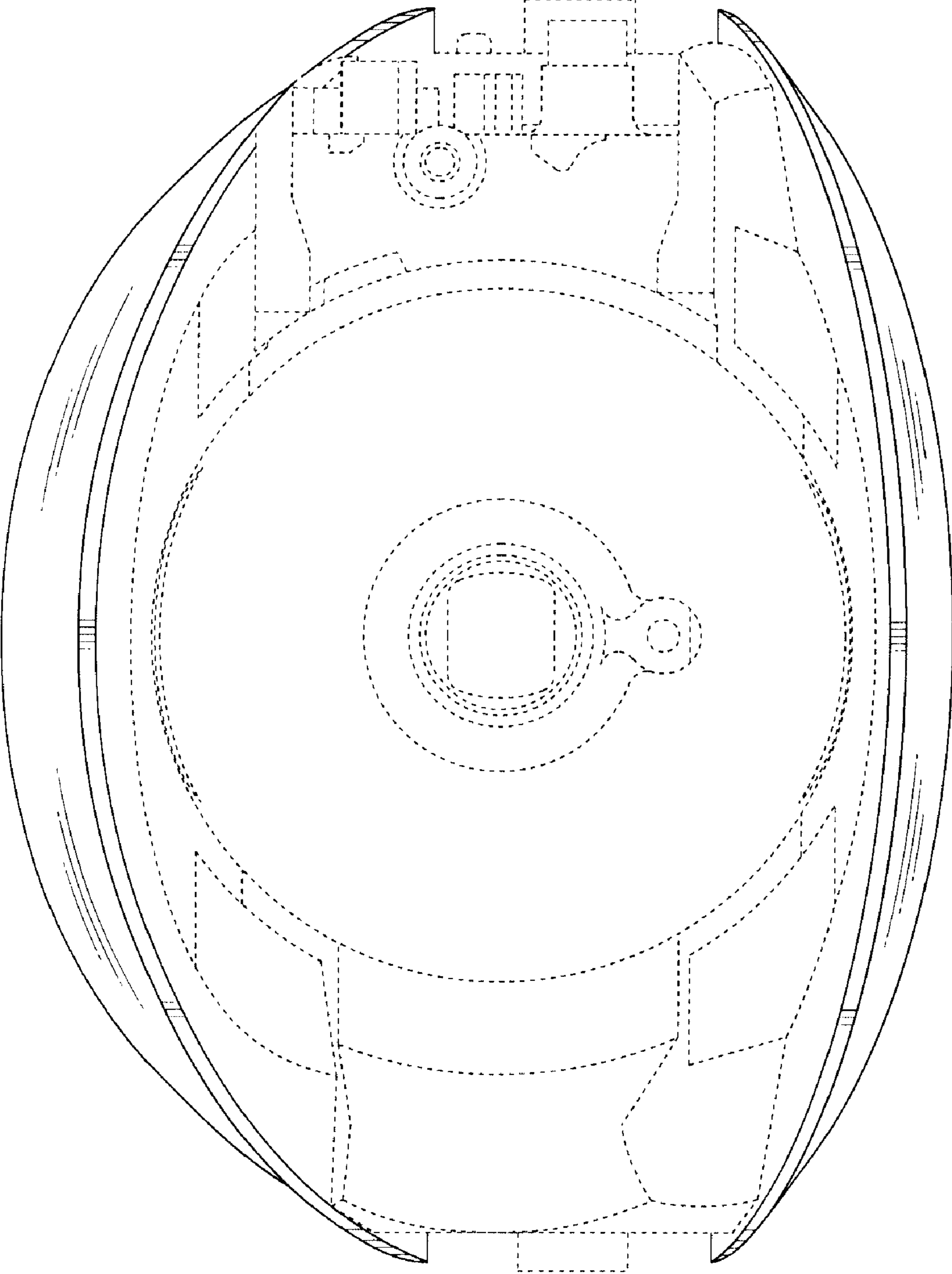


FIG.4

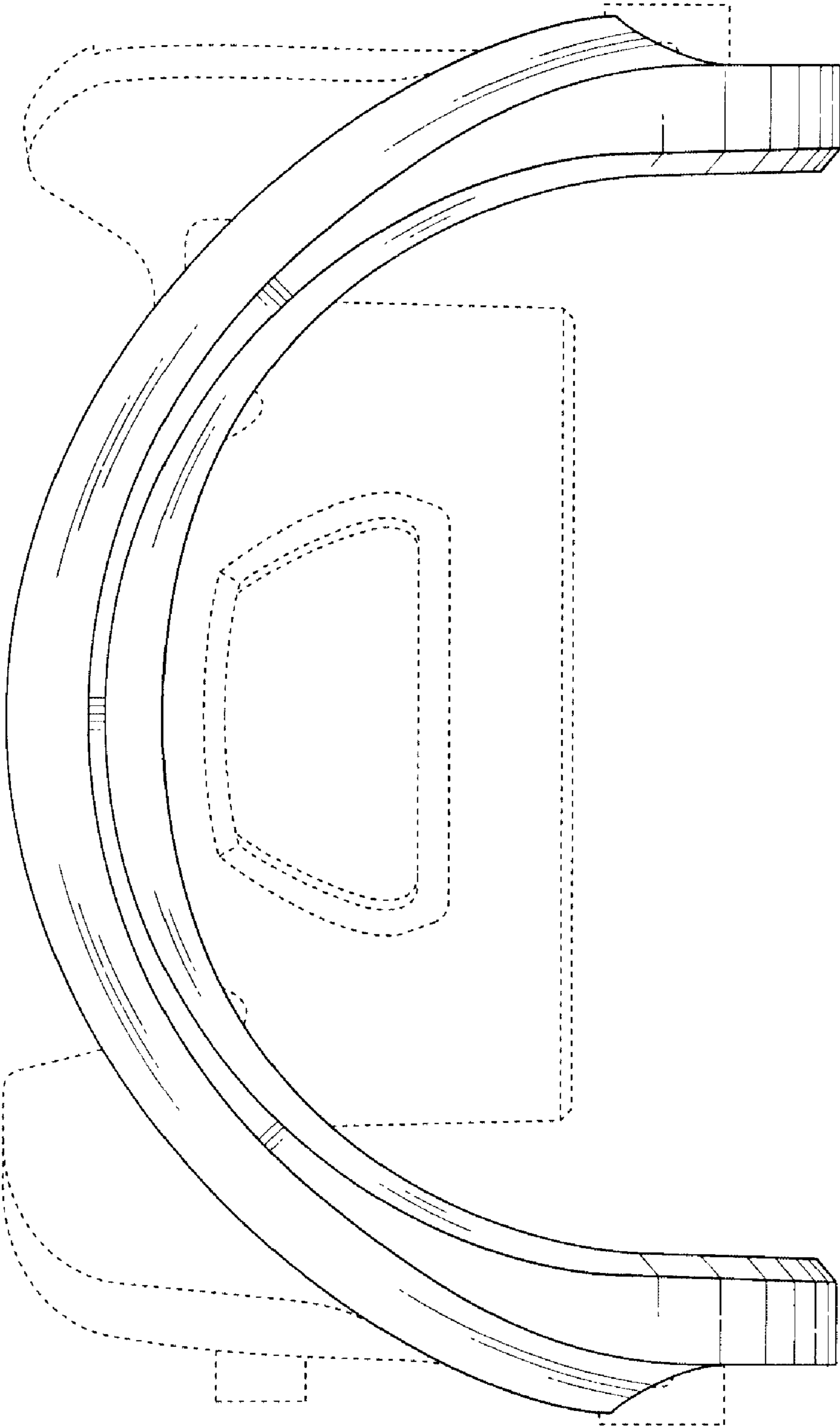


FIG.5

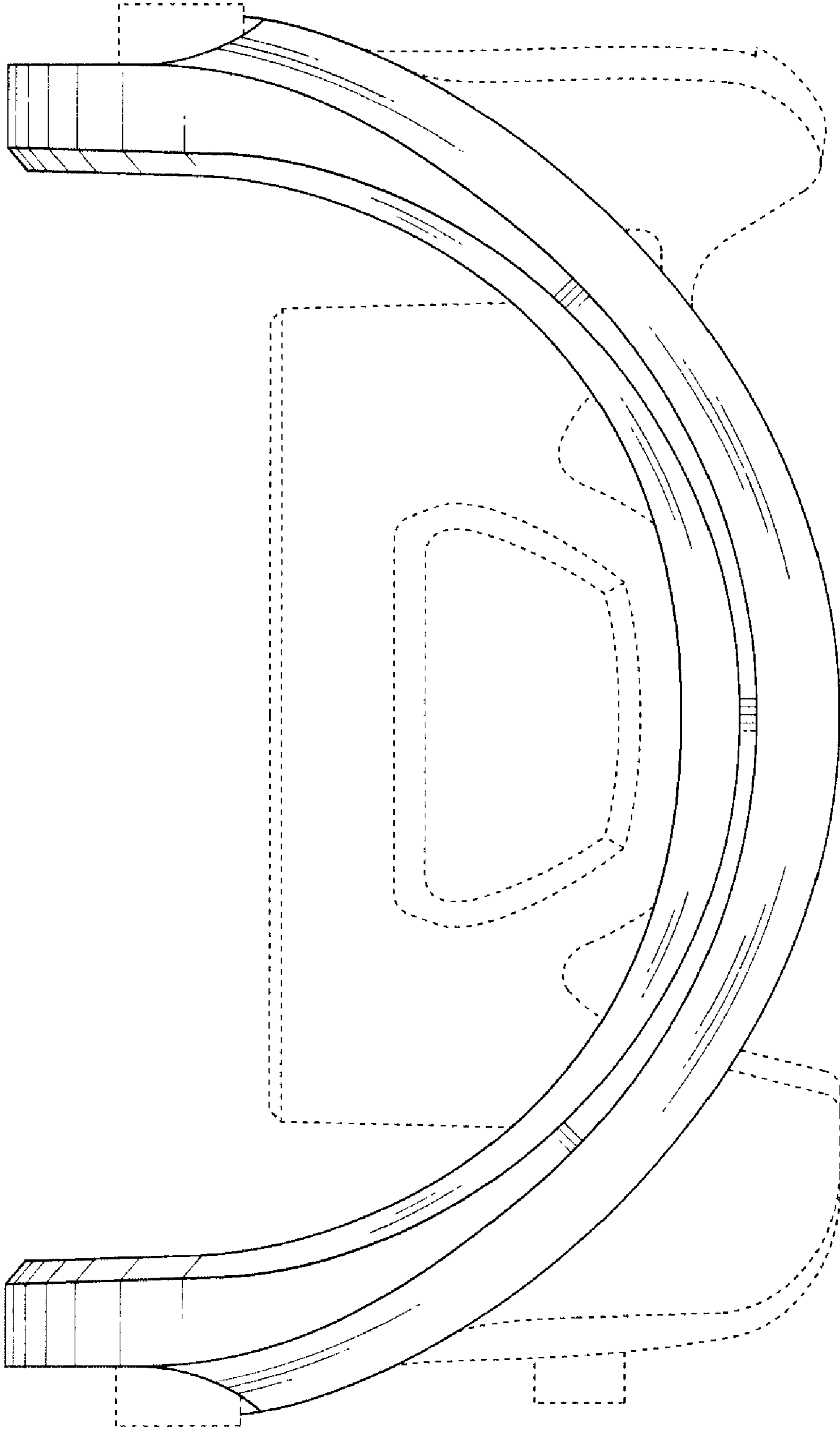


FIG.7

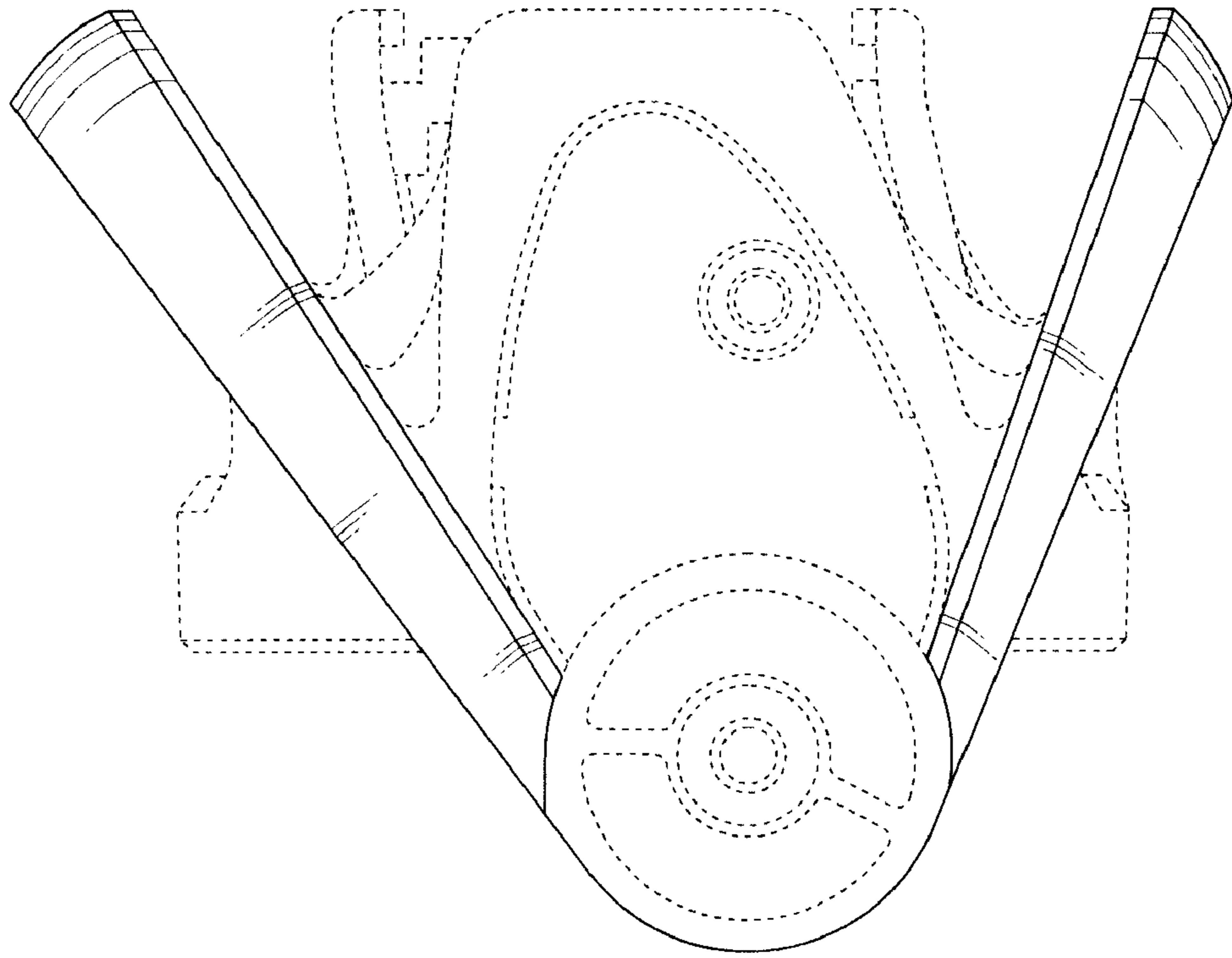


FIG.6

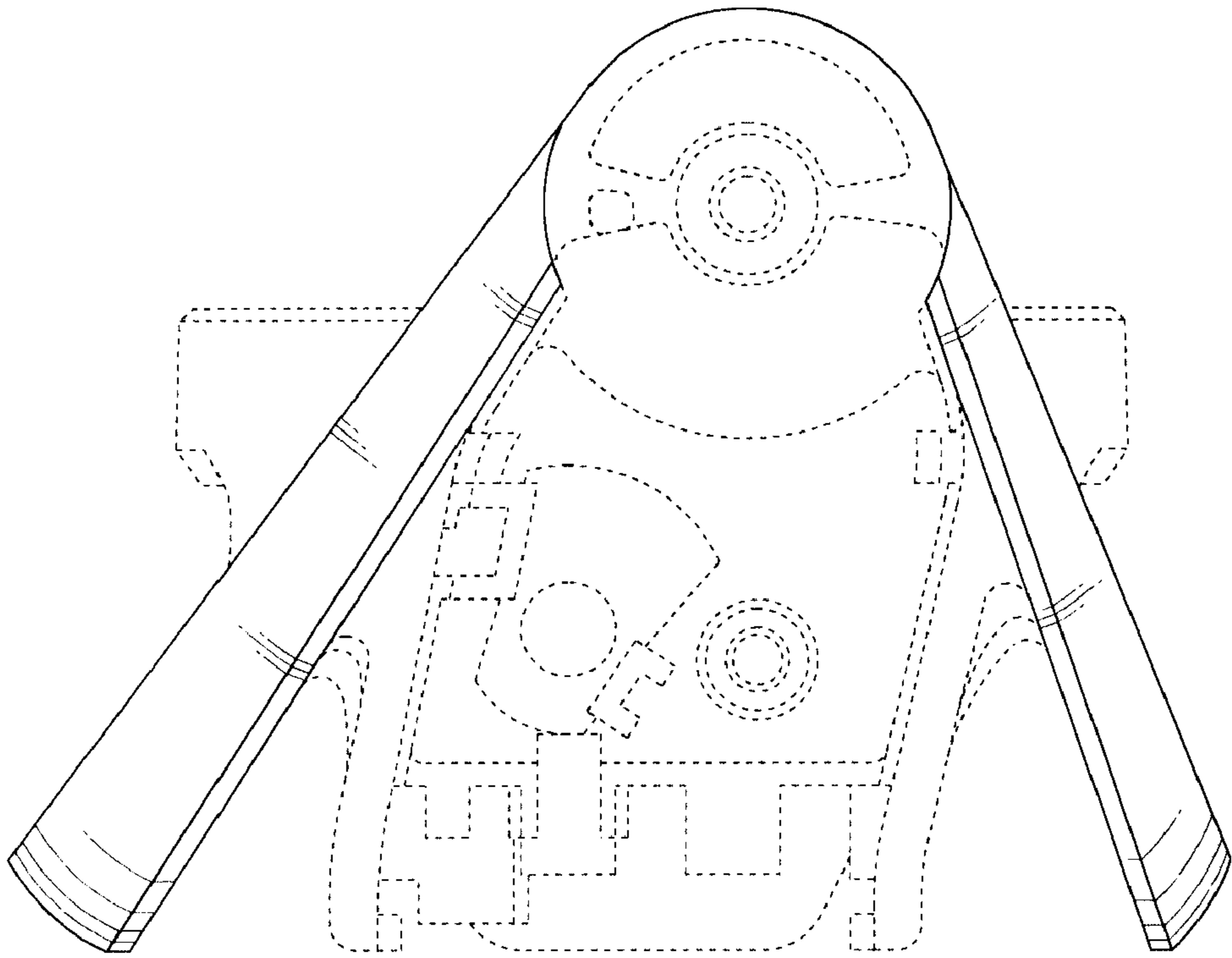


FIG.8

