



US00D631937S

(12) **United States Design Patent**
Sykes

(10) **Patent No.:** **US D631,937 S**

(45) **Date of Patent:** **** Feb. 1, 2011**

(54) **STACKABLE CONDUCTIVE TRAY**

(76) Inventor: **Daniel Keith Sykes**, 7605 Sandy Lake Ct., Raleigh, NC (US) 27613

(**) Term: **14 Years**

(21) Appl. No.: **29/367,296**

(22) Filed: **Aug. 5, 2010**

Related U.S. Application Data

(63) Continuation-in-part of application No. 29/344,834, filed on Oct. 5, 2009, now abandoned.

(51) **LOC (9) Cl.** **22-05**

(52) **U.S. Cl.** **D22/136**

(58) **Field of Classification Search** D22/136,
D22/134-135, 199; D32/53, 53.1, 54; 43/55-56;
206/315.11, 545

See application file for complete search history.

(56) **References Cited**

U.S. PATENT DOCUMENTS

D266,183 S *	9/1982	Snow	D22/136
D326,893 S	6/1992	Kolesar	D22/136
D355,760 S	2/1995	Sanfilippo	D3/260
5,931,019 A	8/1999	White et al.	62/457.7
6,237,765 B1	5/2001	Hagen et al.	206/315.11
D518,551 S	4/2006	Moren	D22/136
D541,369 S *	4/2007	Jordan	D22/136
D601,654 S	10/2009	Sykes	D22/136

OTHER PUBLICATIONS

“Bait Trays for Igloo Coolers”, 3 pgs, as printed from http://www.altackle.com/tgm_bait_tray.htm on Apr. 22, 2008.

“Carolina Bait Tray Bait Tray Coolers”, 3 pgs, as printed from <http://www.boatersworld.com/product/471570044msk.htm> on Apr. 22, 2008.

“Bait coolers for Hoos”, Sport Fishing Forum, 10 pgs, as printed from <http://www.sportfishermen.com/board/t186/bait-coolers-hoos-34114.html> on Apr. 22, 2008.

“Bait Trays”, 2 pgs, as printed from <http://www.westmarine.com/webapp/wcs/stores/servlet/producte/10001/-1/10001/268780?...> on Apr. 22, 2008.

* cited by examiner

Primary Examiner—Catherine R Oliver
(74) *Attorney, Agent, or Firm*—The Eclipse Group LLP; Kevin E. Flynn; C. J. Hunter Plemmons

(57) **CLAIM**

The ornamental design for a stackable conductive tray, as shown and described.

DESCRIPTION

FIG. 1 is a top and side perspective view.

FIG. 2 is a side elevation view, with the opposite side elevation view being a mirror image thereof.

FIG. 3 is a front elevation view, with the rear elevation view being a mirror image thereof;

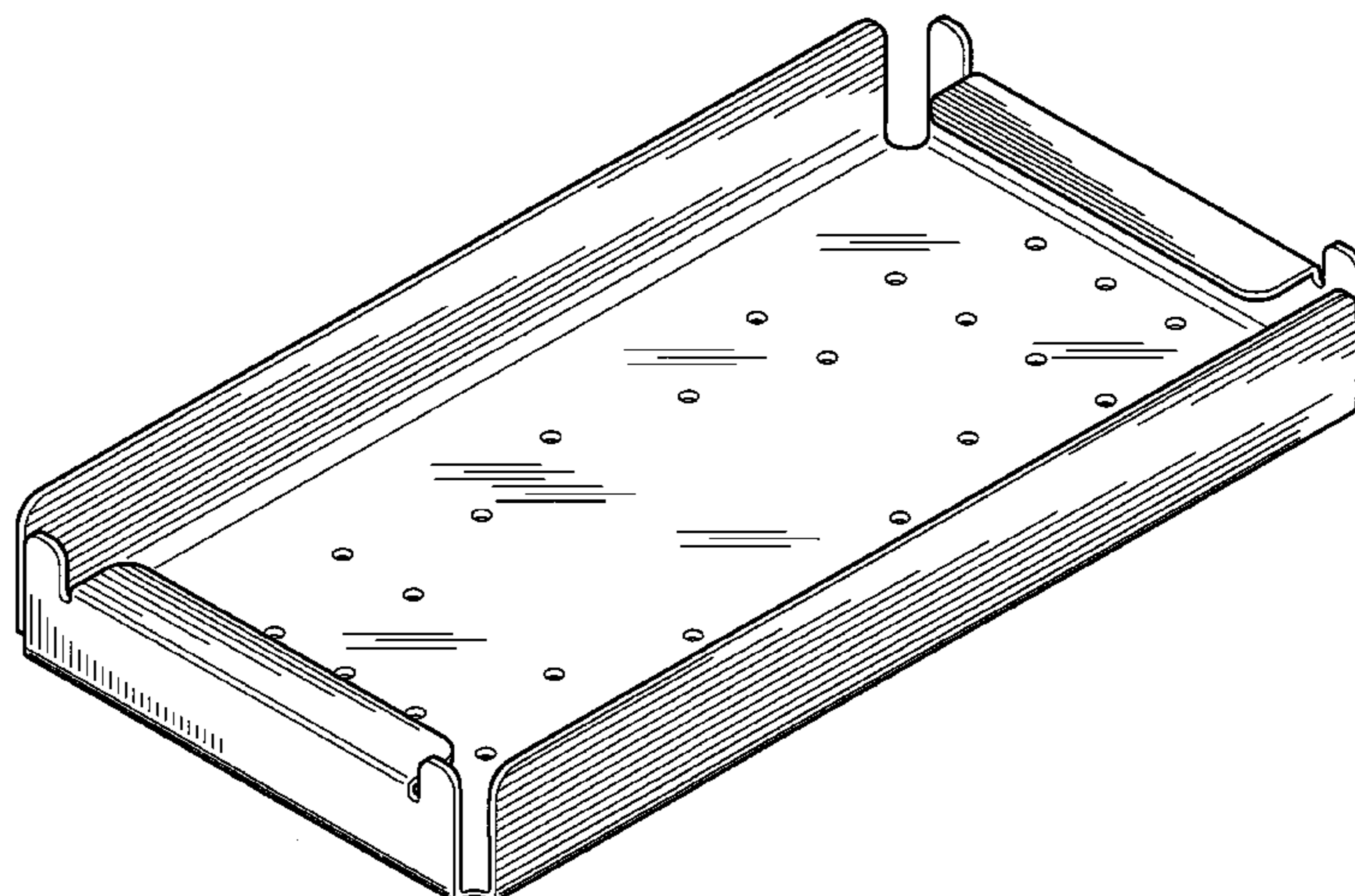
FIG. 4 is a top plan view.

FIG. 5 is a bottom plan view.

FIG. 6 is a top and side perspective view, but illustrating another similarly designed stackable conductive tray stacked on top of the stackable conductive tray for environmental purposes, with the upper stackable conductive tray being shown in broken lines for illustrative purposes only and forming no part of the claimed design; and,

FIG. 7 is a top and side perspective view, but illustrating another similarly designed stackable conductive tray stacked underneath the stackable conductive tray and a cutting board stacked on top of the stackable conductive tray for environmental purposes, with the lower stackable conductive tray and the cutting board being shown in broken lines for illustrative purposes only and forming no part of the claimed design.

1 Claim, 5 Drawing Sheets



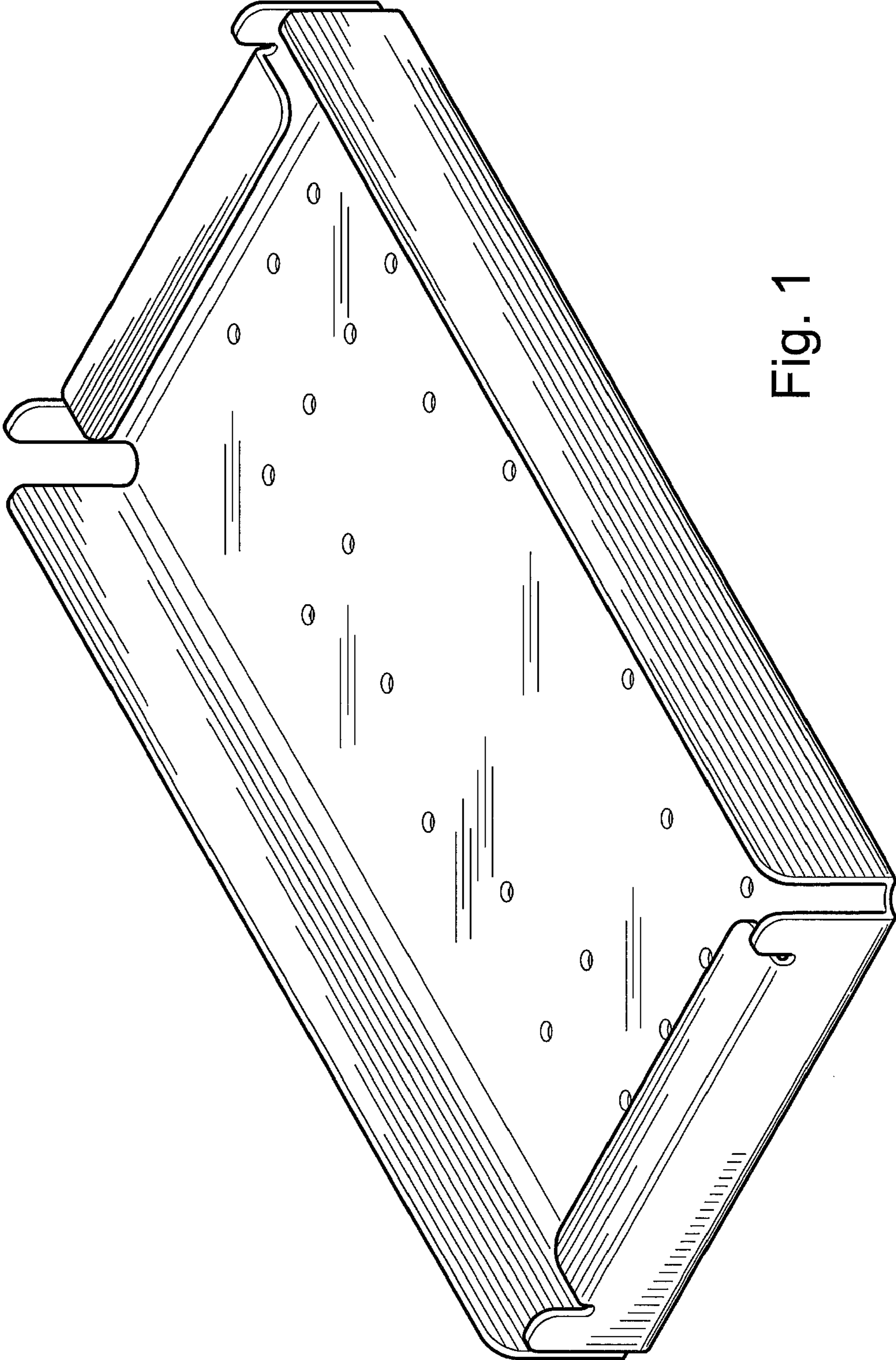


Fig. 1

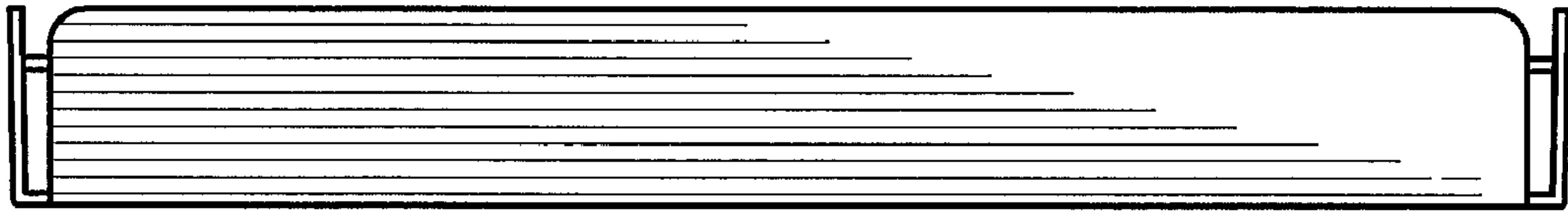


Fig. 2

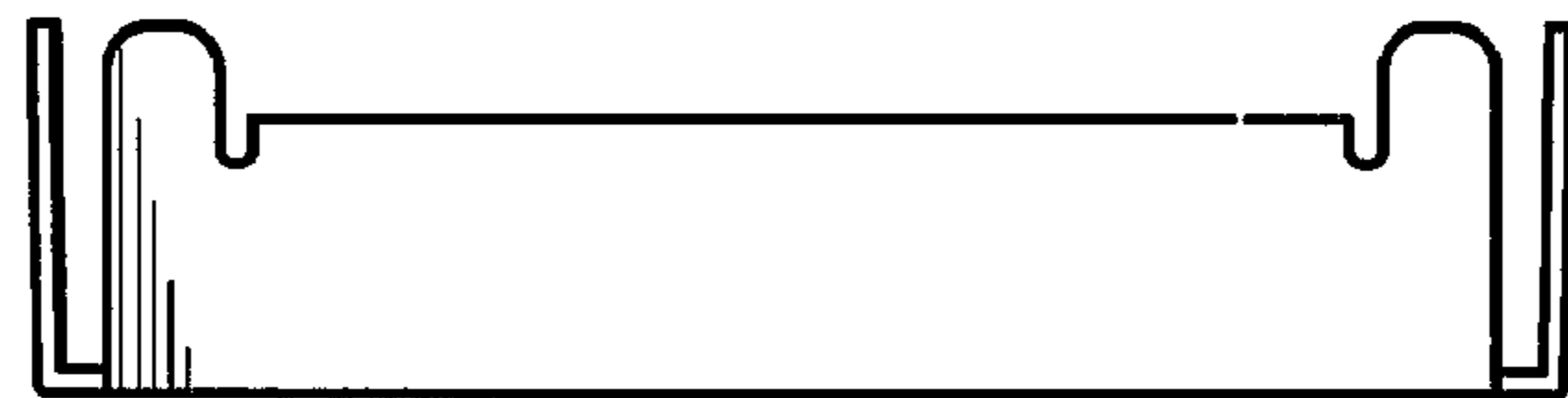


Fig. 3

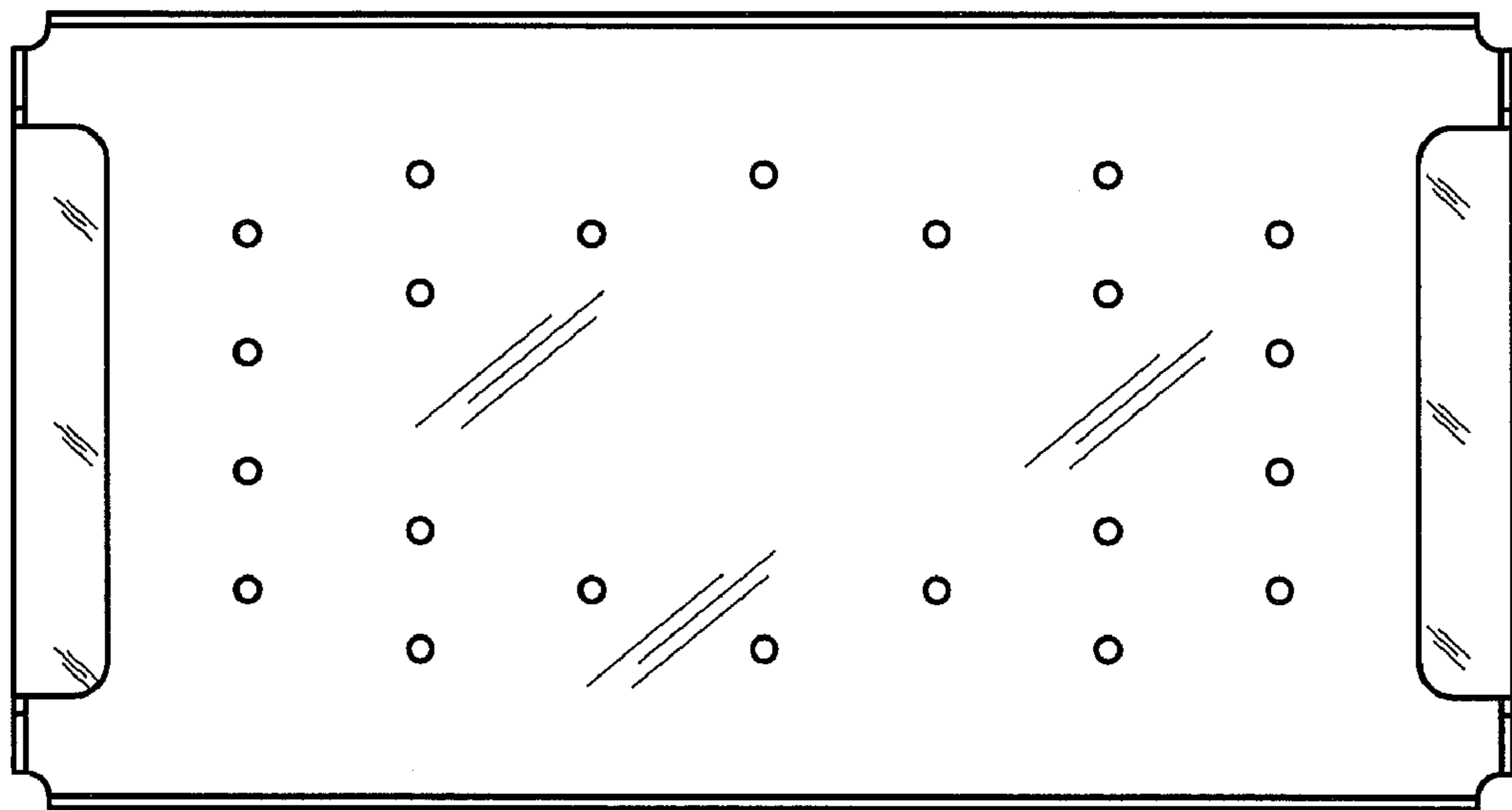


Fig. 4

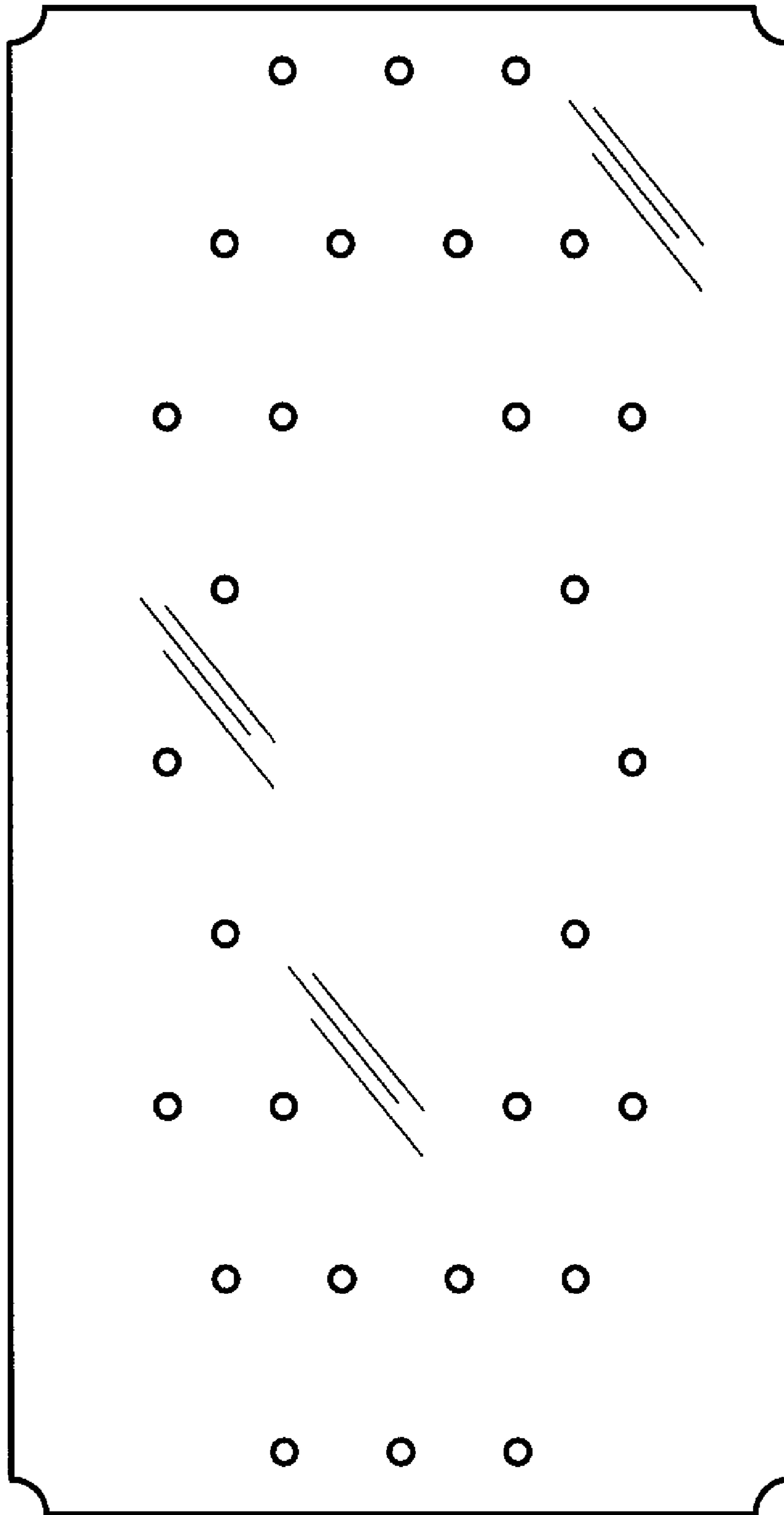


Fig. 5

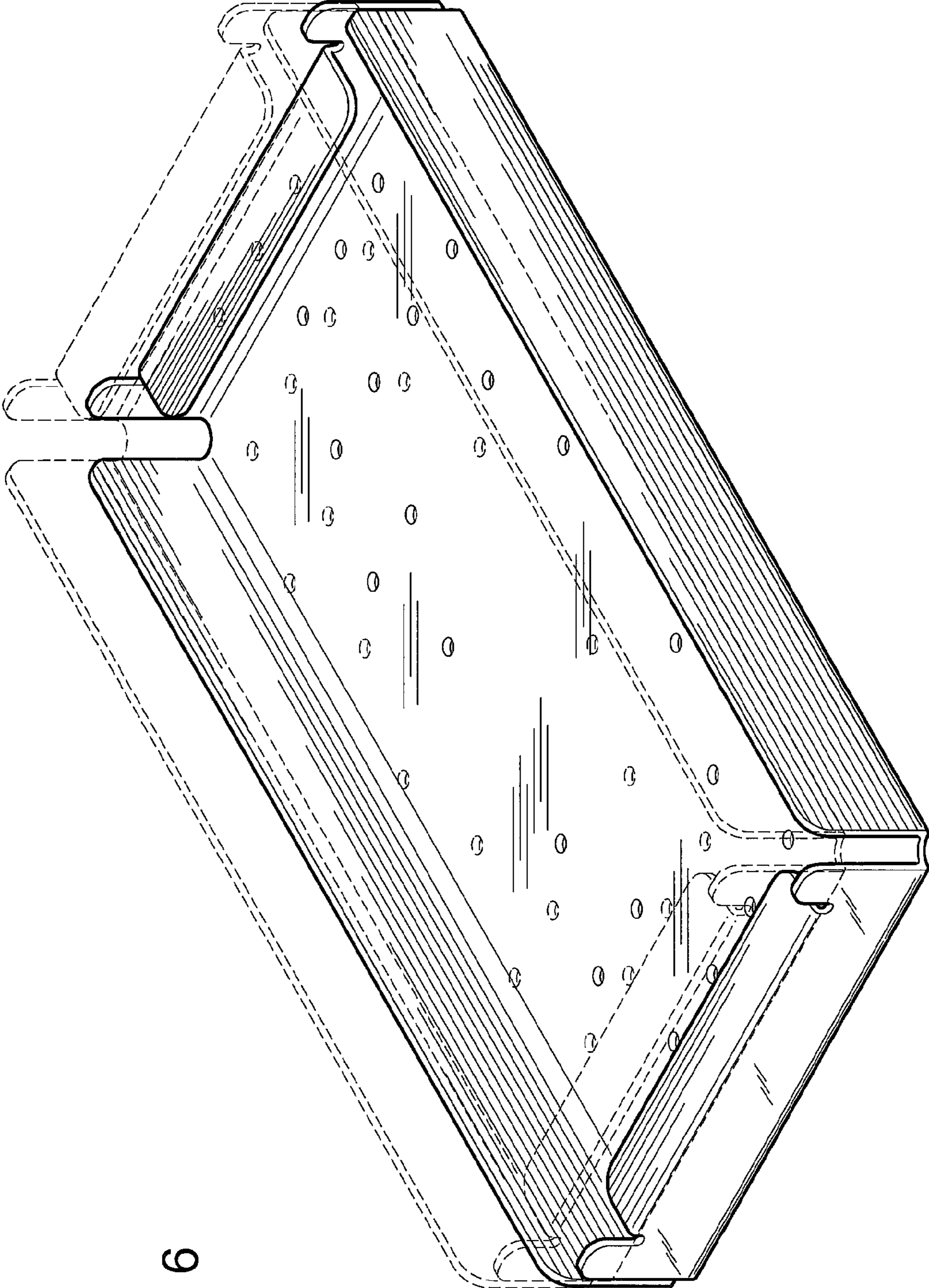


Fig. 6

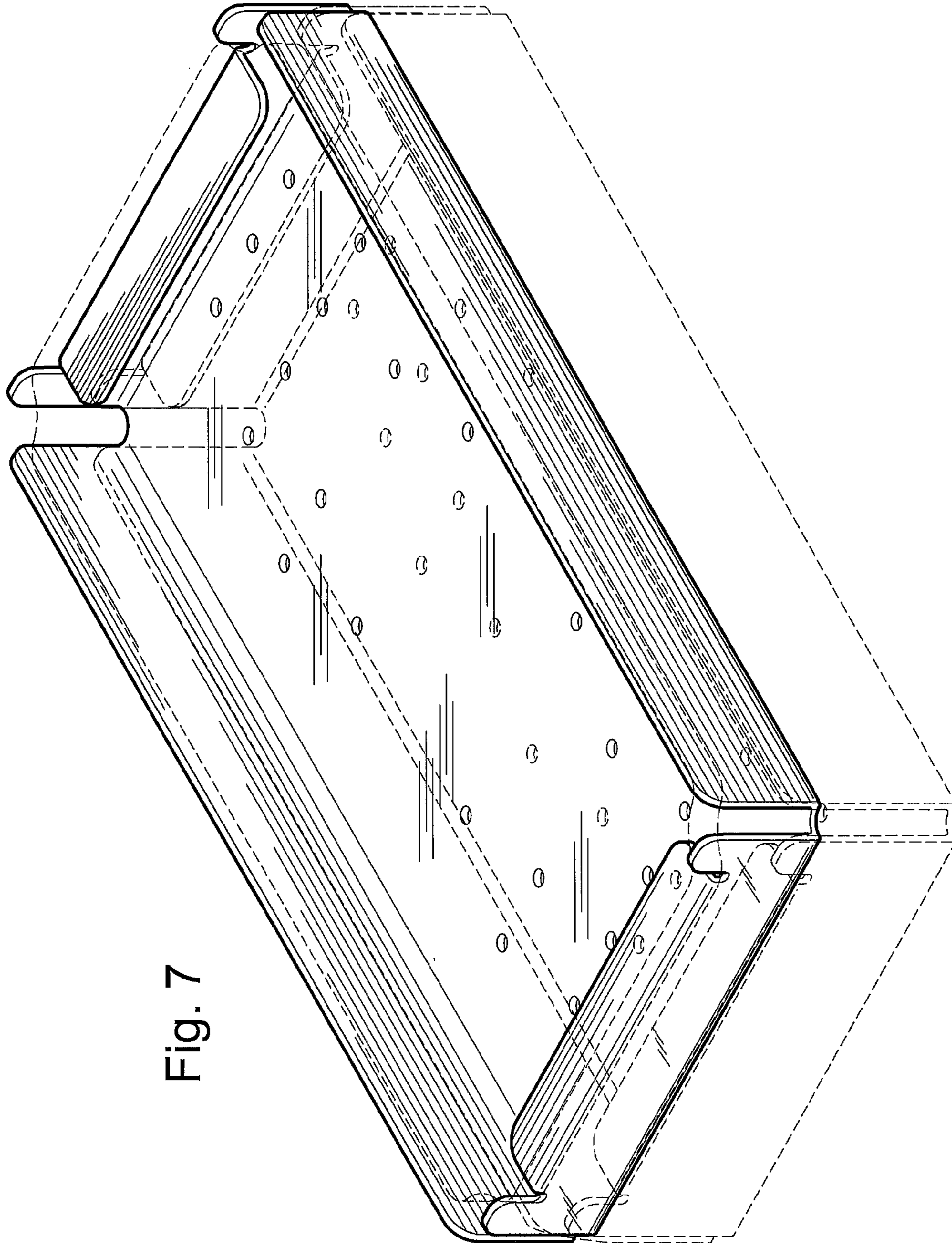


Fig. 7

UNITED STATES PATENT AND TRADEMARK OFFICE
CERTIFICATE OF CORRECTION

PATENT NO. : D631,937 S
APPLICATION NO. : 29/367296
DATED : February 1, 2011
INVENTOR(S) : Daniel Keith Sykes

Page 1 of 1

It is certified that error appears in the above-identified patent and that said Letters Patent is hereby corrected as shown below:

Title Page; item (56);

On the face of the issued patent, in the OTHER PUBLICATIONS section, please add -- "The Bait Tray System", Photo Gallery Pages from Pro Coolers, Inc., 18 pgs, as printed from <http://procoolers.com> on May 6, 2008. --

On the face of the issued patent, in the OTHER PUBLICATIONS section, please add -- Set of Photographs of Prototype Bait Tray believed made in 2004, eight photographs showing: top and side perspective view; front view; side view; bottom view; top view; close-up top view of one corner; close-up perspective view of one corner; and close-up perspective view of one end of Prototype Bait Tray. --

Signed and Sealed this
Fifteenth Day of March, 2011



David J. Kappos
Director of the United States Patent and Trademark Office