

US00D631935S

(12) **United States Design Patent**
Daniel et al.

(10) **Patent No.:** **US D631,935 S**

(45) **Date of Patent:** **** Feb. 1, 2011**

(54) **REAR FIREARM SIGHT**

(75) Inventors: **Marvin C. Daniel**, Pooler, GA (US);
Gerald B. Ash, Jr., Newington, GA
(US); **Eric M. Rice**, Rincon, GA (US)

(73) Assignee: **Daniel Defense, Inc.**, Black Creek, GA
(US)

(**) Term: **14 Years**

(21) Appl. No.: **29/354,039**

(22) Filed: **Jan. 19, 2010**

(51) **LOC (9) Cl.** **22-01**

(52) **U.S. Cl.** **D22/109**

(58) **Field of Classification Search** D22/100,
D22/108, 109, 110, 199; 42/11, 72, 75.02,
42/71.01, 85, 90, 106, 114, 113, 116, 119,
42/124, 125, 127, 145, 128; 248/201, 205.1
See application file for complete search history.

(56) **References Cited**

U.S. PATENT DOCUMENTS

878,857	A *	2/1908	Bevier	42/136
4,658,700	A *	4/1987	Sullivan	89/33.02
D354,111	S *	1/1995	Karppinen	D22/109
6,622,415	B1 *	9/2003	Canaday et al.	42/140
D588,228	S *	3/2009	Swan	D22/109
2003/0230022	A1 *	12/2003	Battaglia	42/111
2008/0276519	A1 *	11/2008	Ballard	42/143
2008/0276520	A1 *	11/2008	Ballard	42/143

* cited by examiner

Primary Examiner—T. Chase Nelson

Assistant Examiner—Michael A Pratt

(74) *Attorney, Agent, or Firm*—Sutherland, Asbill & Brennan
LLP

(57) **CLAIM**

The ornamental design for a rear firearm sight, as shown and described.

DESCRIPTION

FIG. 1 is an upper left perspective view of the new rear firearm sight when viewed from a muzzle end of a firearm;

FIG. 2 is a lower right perspective view thereof when viewed from the muzzle end of the firearm;

FIG. 3 is a front view thereof when viewed from the muzzle end of the firearm;

FIG. 4 is a rear view thereof when viewed from a breech end of the firearm;

FIG. 5 is a left side view thereof when the muzzle end of the firearm is to the viewer's right;

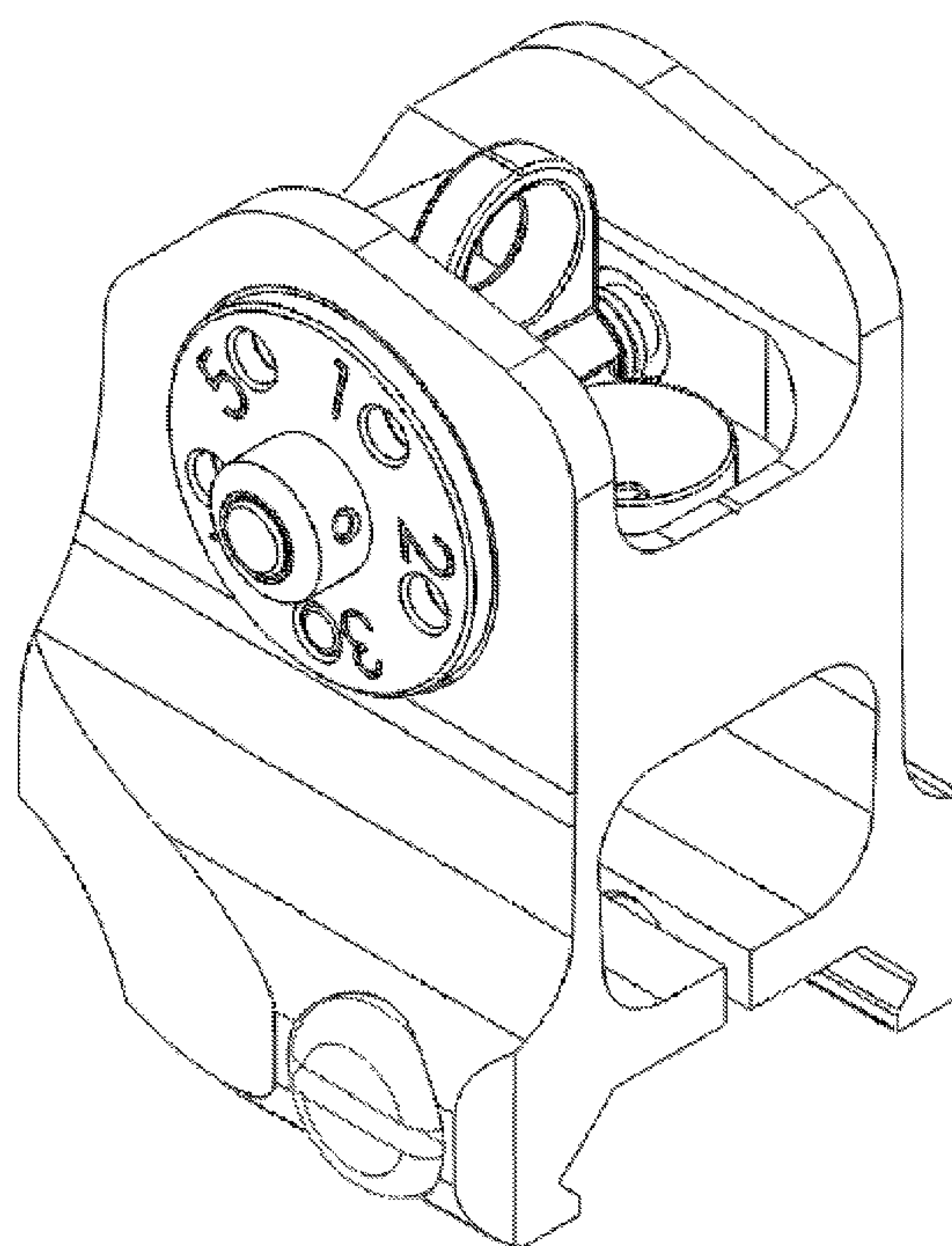
FIG. 6 is a right side view thereof when the muzzle end of the firearm is to the viewer's left;

FIG. 7 is a top view thereof when the muzzle end of the firearm is to the viewer's right; and,

FIG. 8 is a bottom view thereof when the muzzle end of the firearm is to the viewer's right.

The broken line showing of portions of the rear firearm sight in FIG. 7 forms no part of the claimed design.

1 Claim, 8 Drawing Sheets



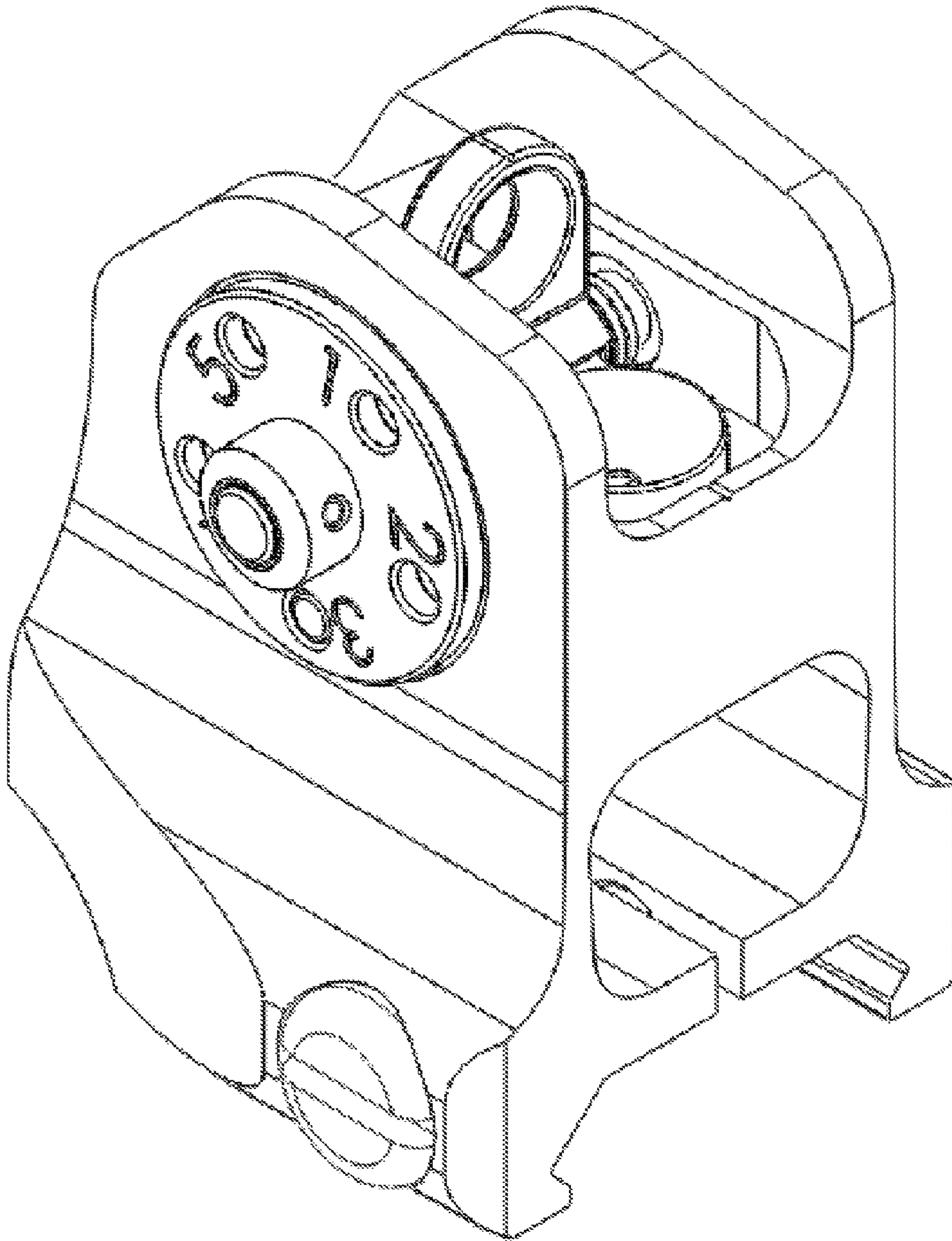


FIG. 1

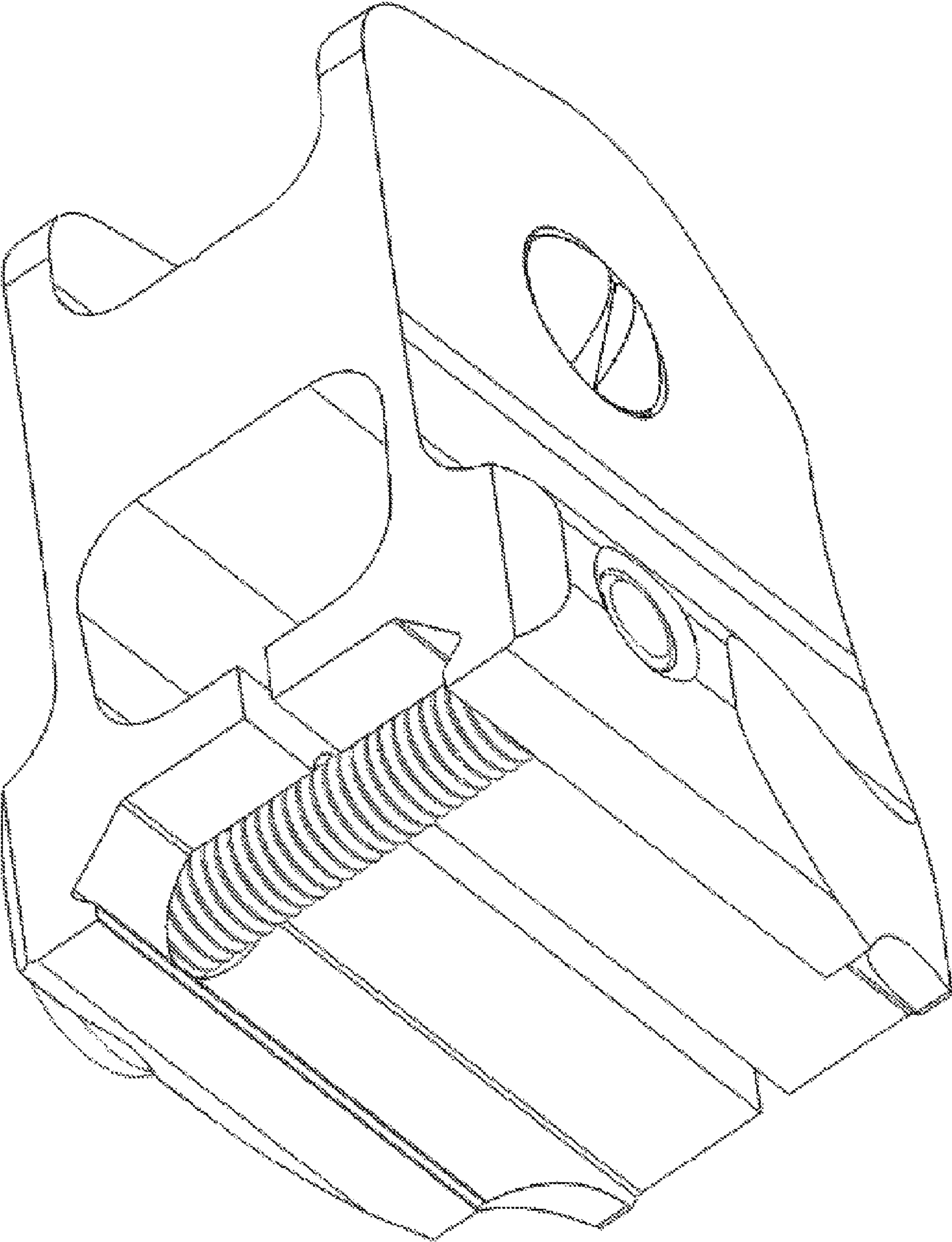


FIG. 2

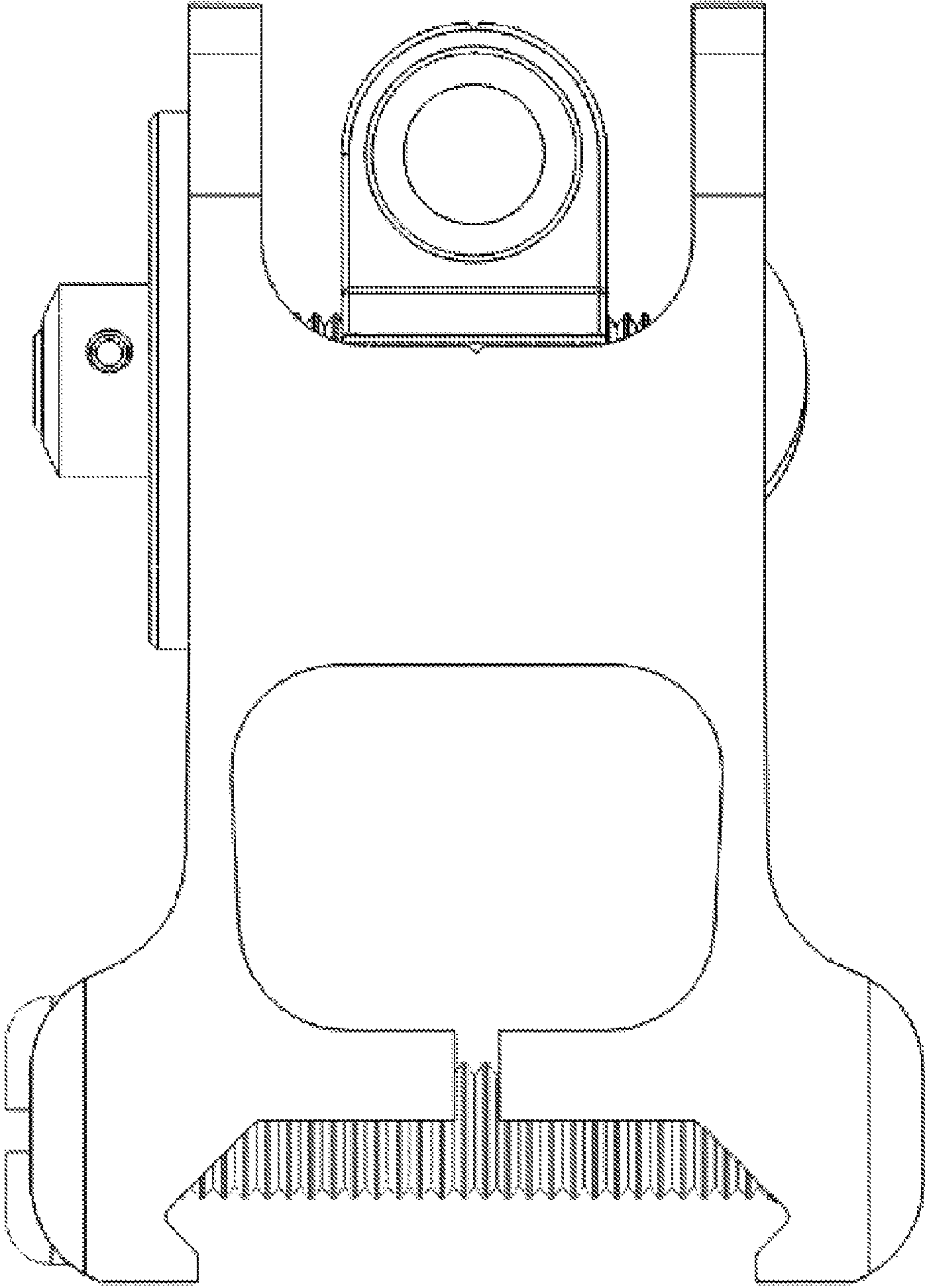


FIG. 3

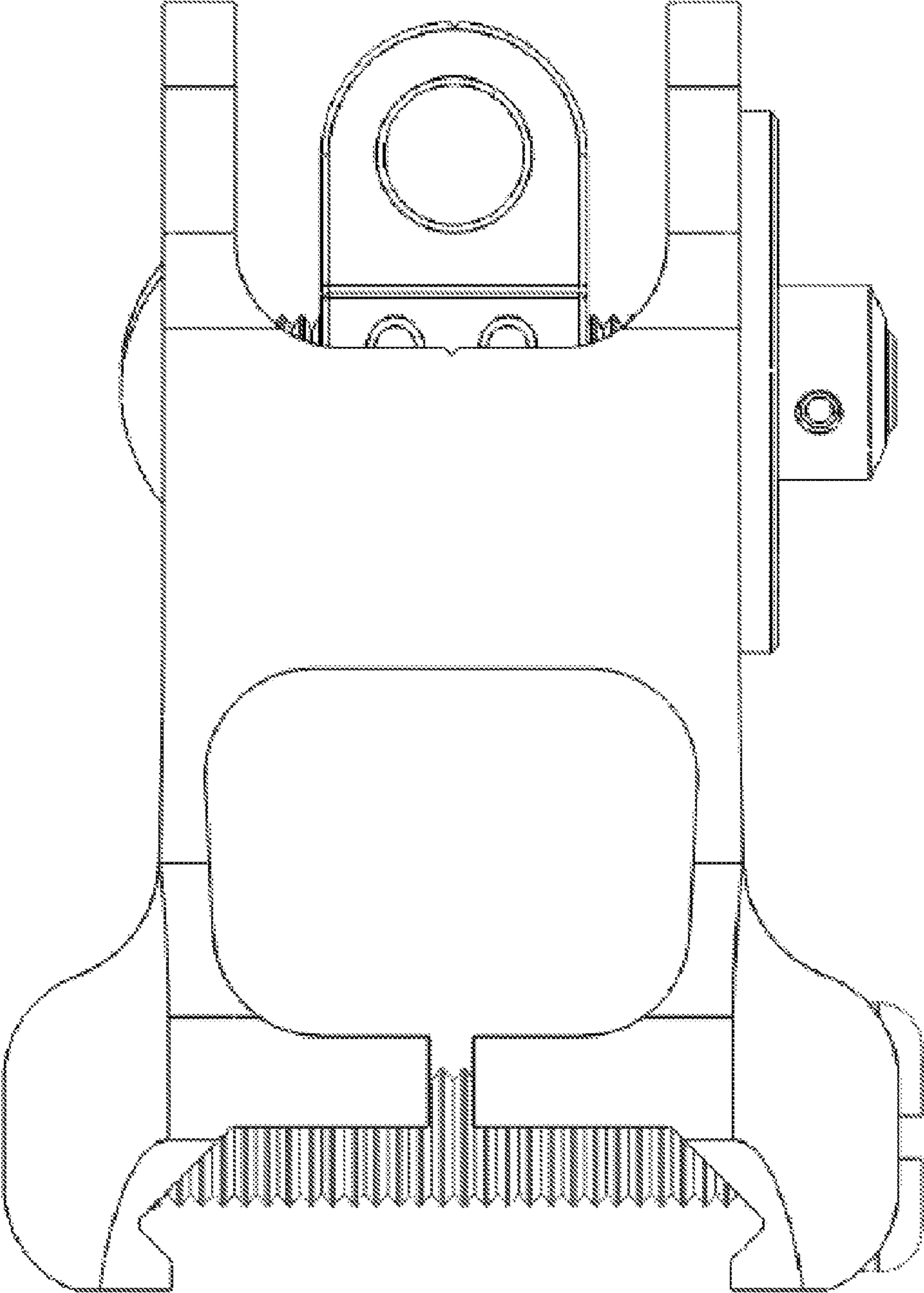


FIG. 4

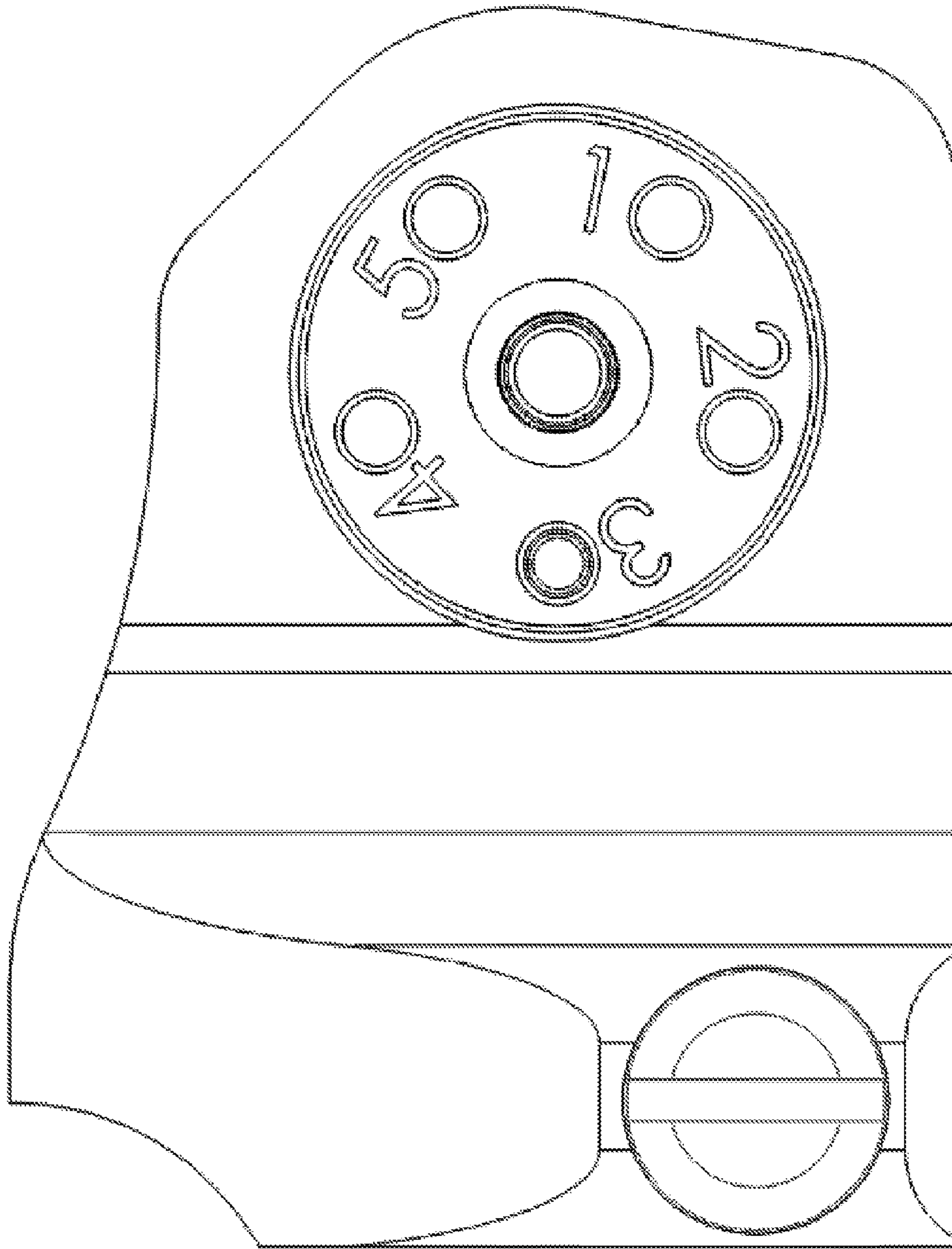


FIG. 5

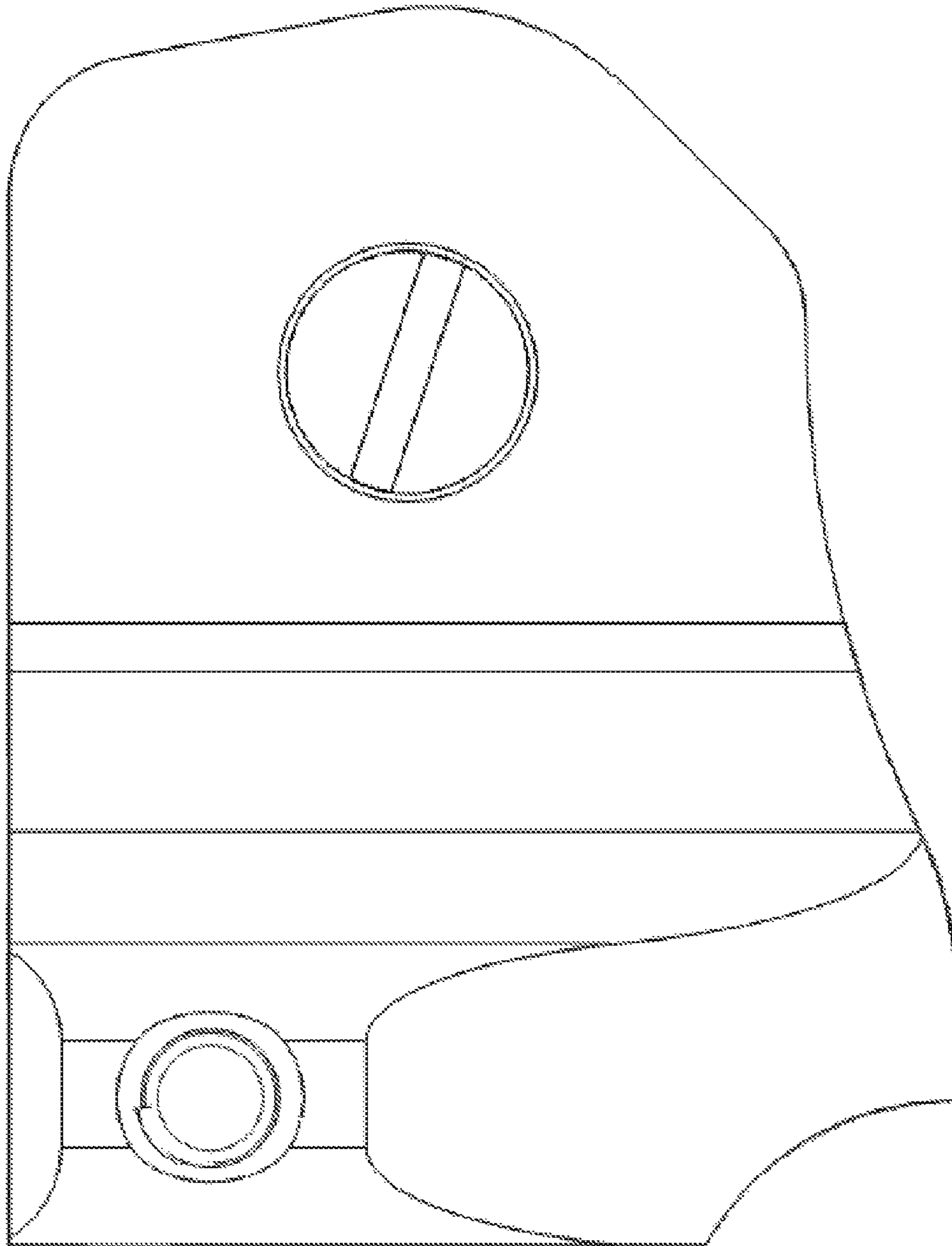


FIG. 6

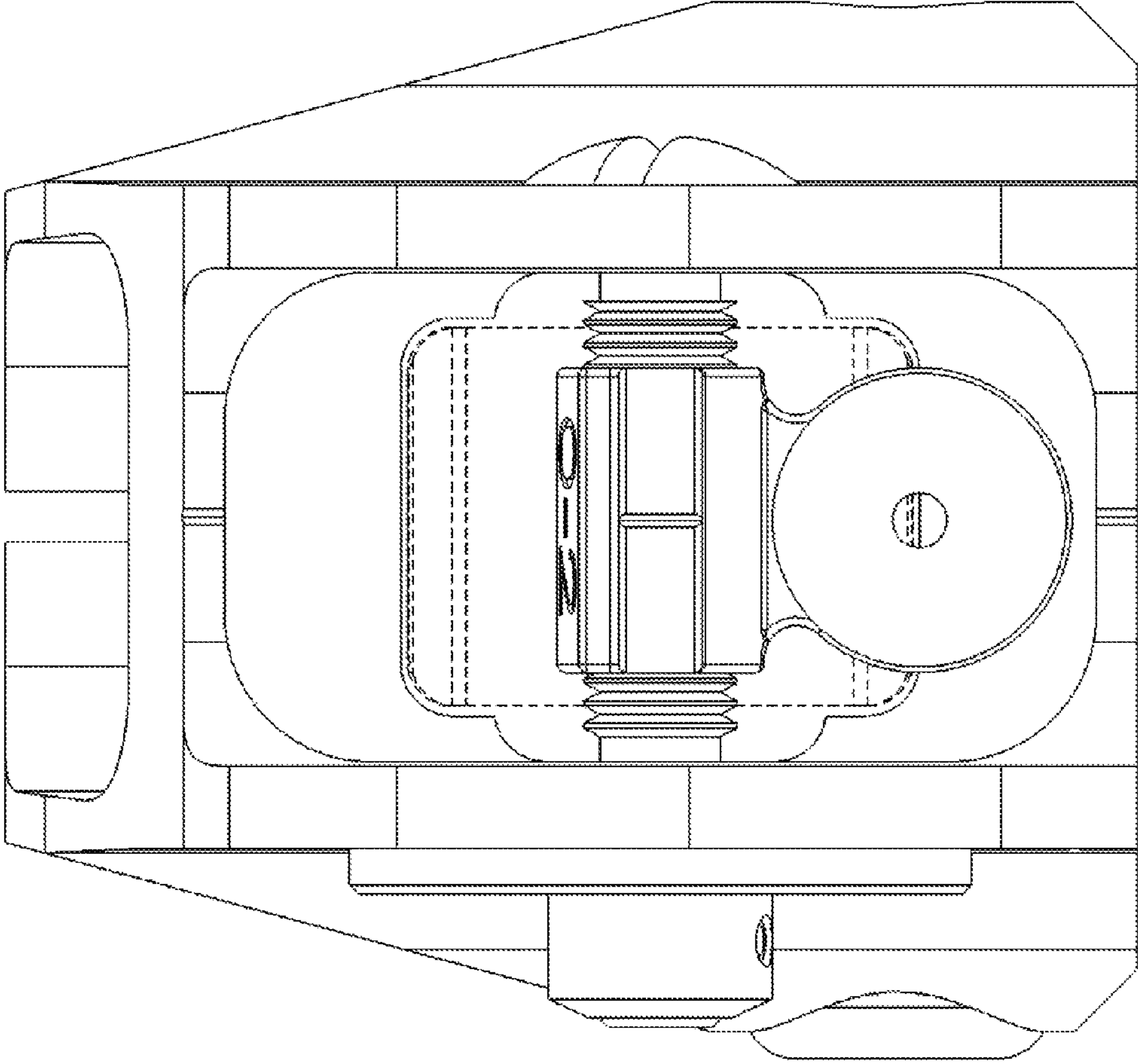


FIG. 7

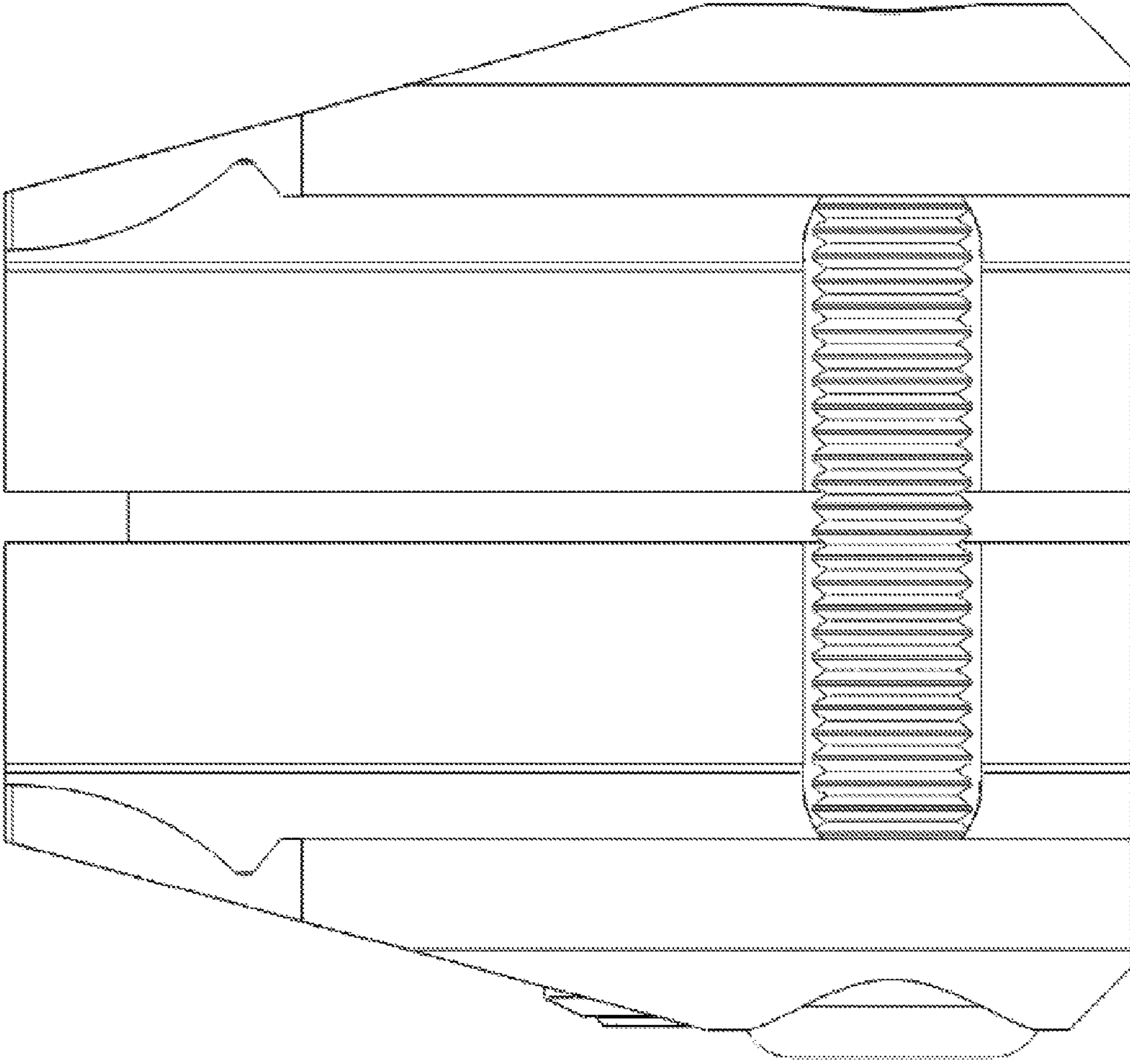


FIG. 8