



US00D631933S

(12) **United States Design Patent**
Thompson

(10) **Patent No.:** **US D631,933 S**

(45) **Date of Patent:** **** Feb. 1, 2011**

(54) **UPPER RECEIVER FOR AR FAMILY OF WEAPONS**

(76) Inventor: **Blaine Thompson**, 101 Washington, Suite 329, Grand Haven, MI (US) 49417

(**) Term: **14 Years**

(21) Appl. No.: **29/351,963**

(22) Filed: **Dec. 14, 2009**

(51) **LOC (9) Cl.** **22-01**

(52) **U.S. Cl.** **D22/108**

(58) **Field of Classification Search** D22/100, D22/101, 103, 104, 108, 199; D21/572, D21/573; 42/51, 71.01, 75.01, 75.02, 90, 42/94, 134, 136, 139, 125, 72, 111; 362/110; 33/241, 277; 313/105 R; 89/40.06, 41.19, 89/37.04, 33.04, 191.01, 200-204; 124/67, 124/66, 74

See application file for complete search history.

(56) **References Cited**

U.S. PATENT DOCUMENTS

- 3,776,095 A * 12/1973 Atchisson 89/128
- 4,169,329 A * 10/1979 Atchisson 42/16
- D285,236 S * 8/1986 Brunton D22/108
- D329,078 S * 9/1992 Hasselbush D22/108

D503,959 S * 4/2005 Wardle D22/108

* cited by examiner

Primary Examiner—T. Chase Nelson

Assistant Examiner—Michael A Pratt

(74) *Attorney, Agent, or Firm*—QuickPatents, Inc.; Kevin Prince

(57) **CLAIM**

What is claimed is the ornamental design for an upper receiver for AR family of weapons, as shown and described.

DESCRIPTION

FIG. 1 is a perspective view of an upper receiver for AR family of weapons, showing the new design;

FIG. 2 is an enlarged front perspective view thereof;

FIG. 3 is a rear perspective view thereof;

FIG. 4 is a right-side elevational view thereof;

FIG. 5 is a left-side elevational view thereof;

FIG. 6 is a front elevational view thereof;

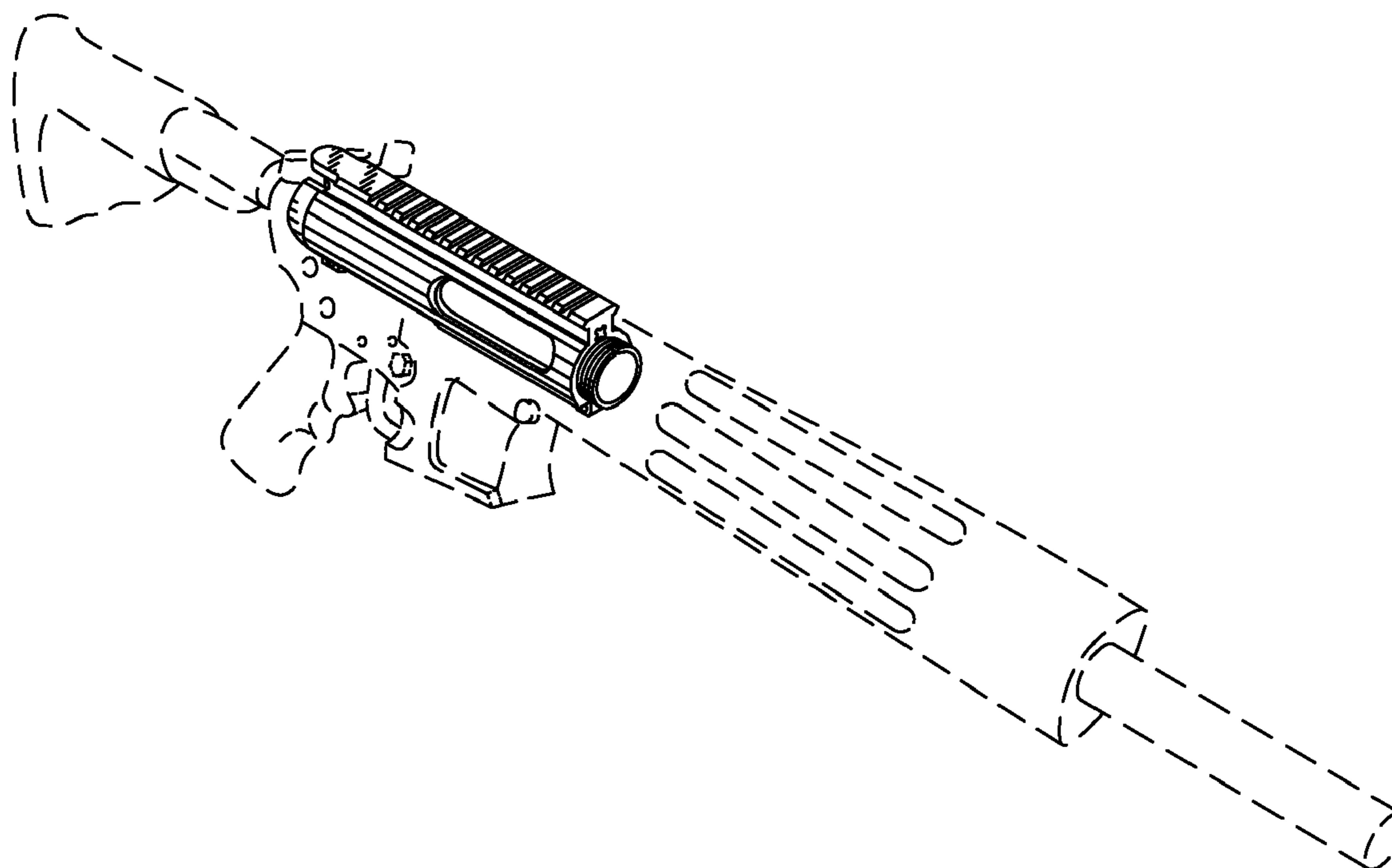
FIG. 7 is a rear elevational view thereof;

FIG. 8 is a top plan view thereof; and,

FIG. 9 is a bottom plan view thereof.

The broken lines showing a weapon in FIG. 1 are included for the purpose of illustrating the invention in use, and form no part of the claimed design.

1 Claim, 3 Drawing Sheets



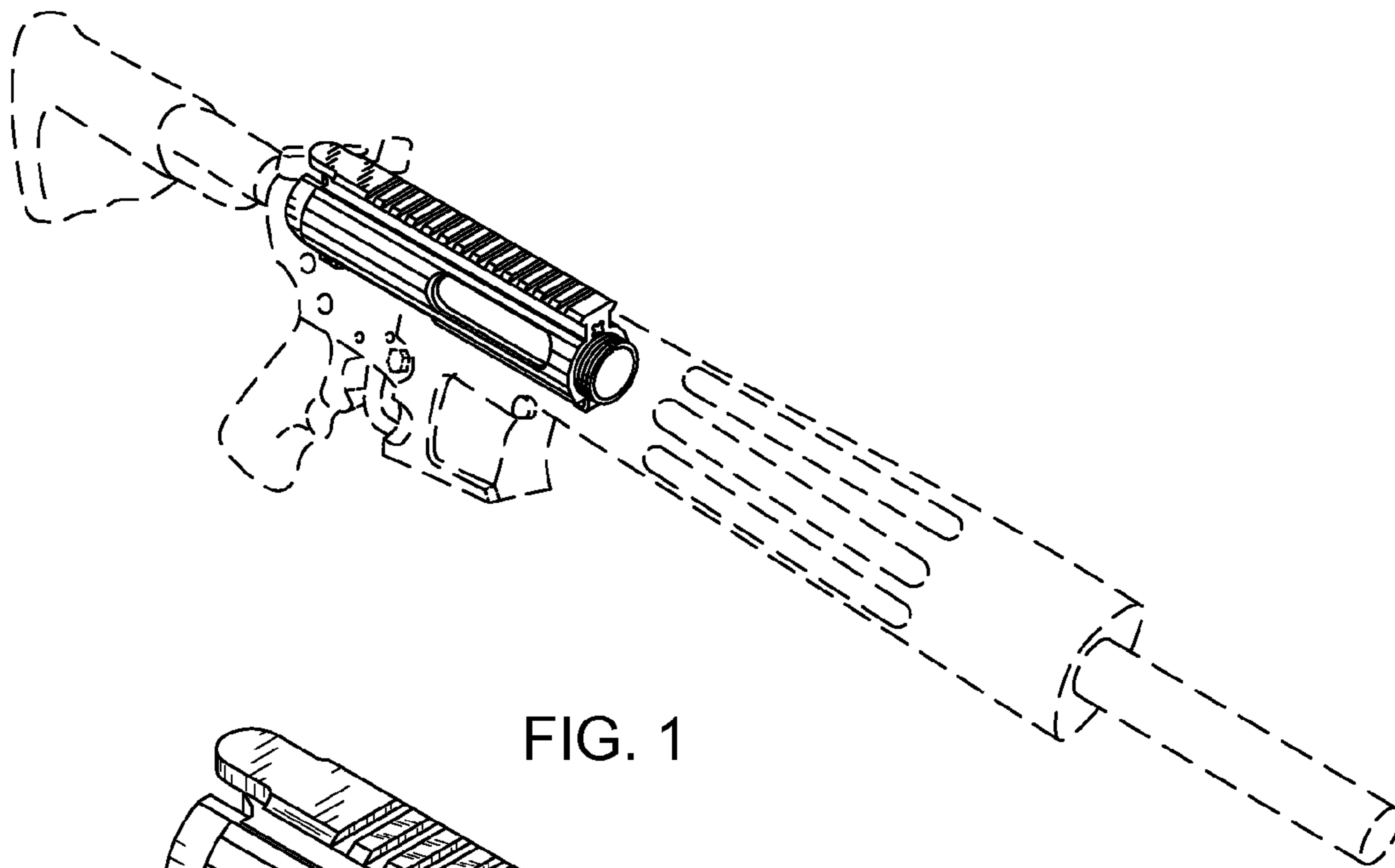


FIG. 1

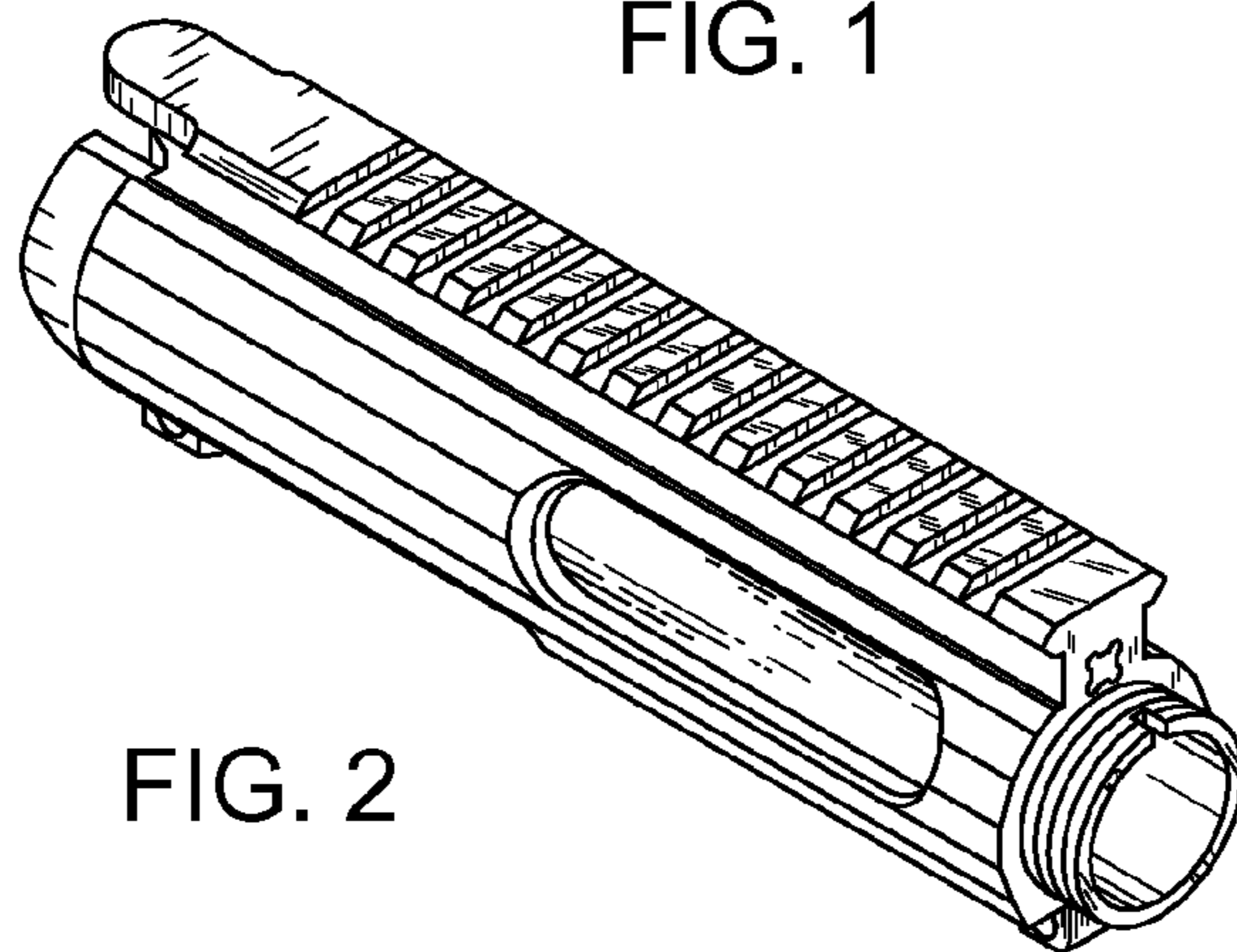


FIG. 2

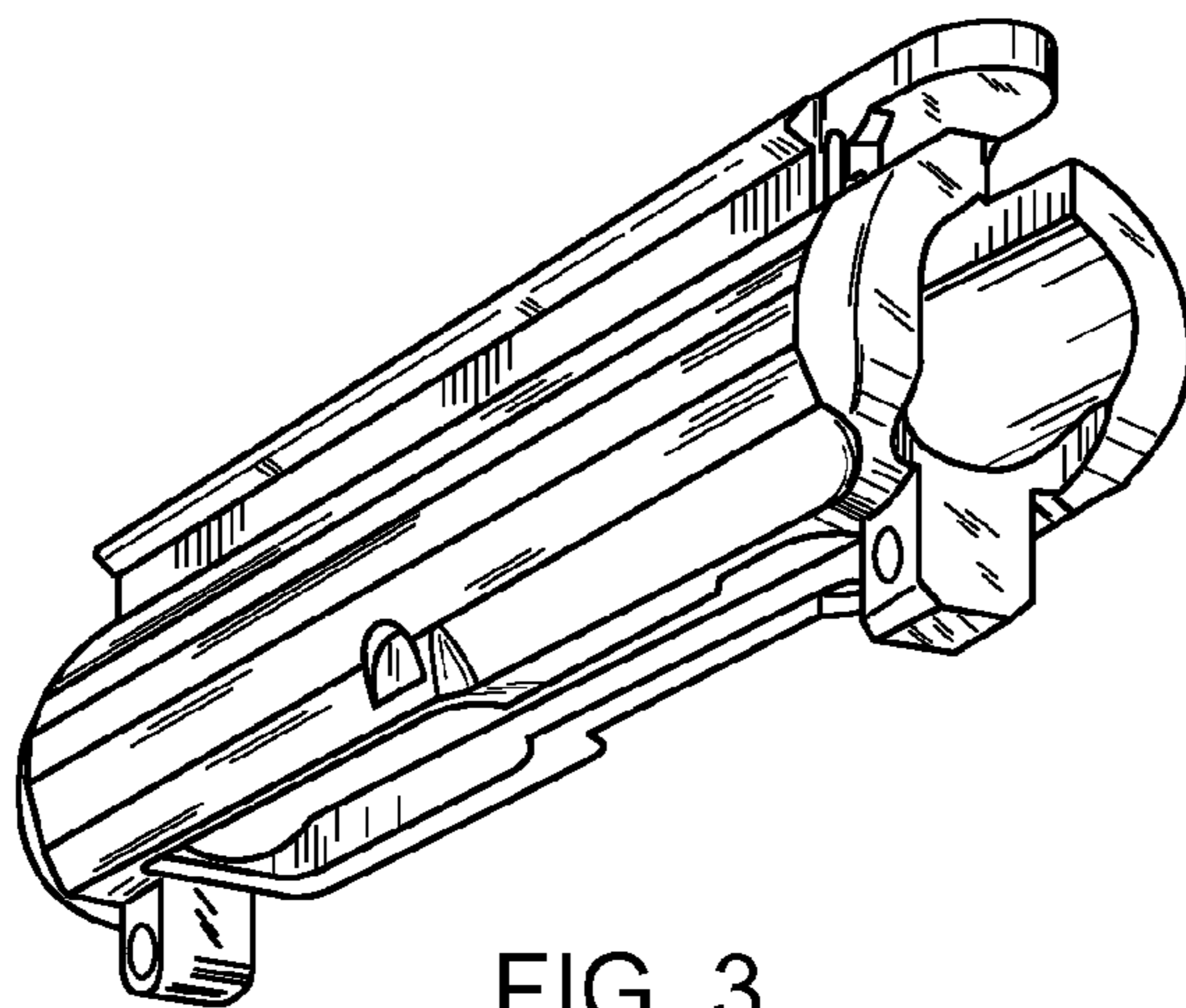


FIG. 3

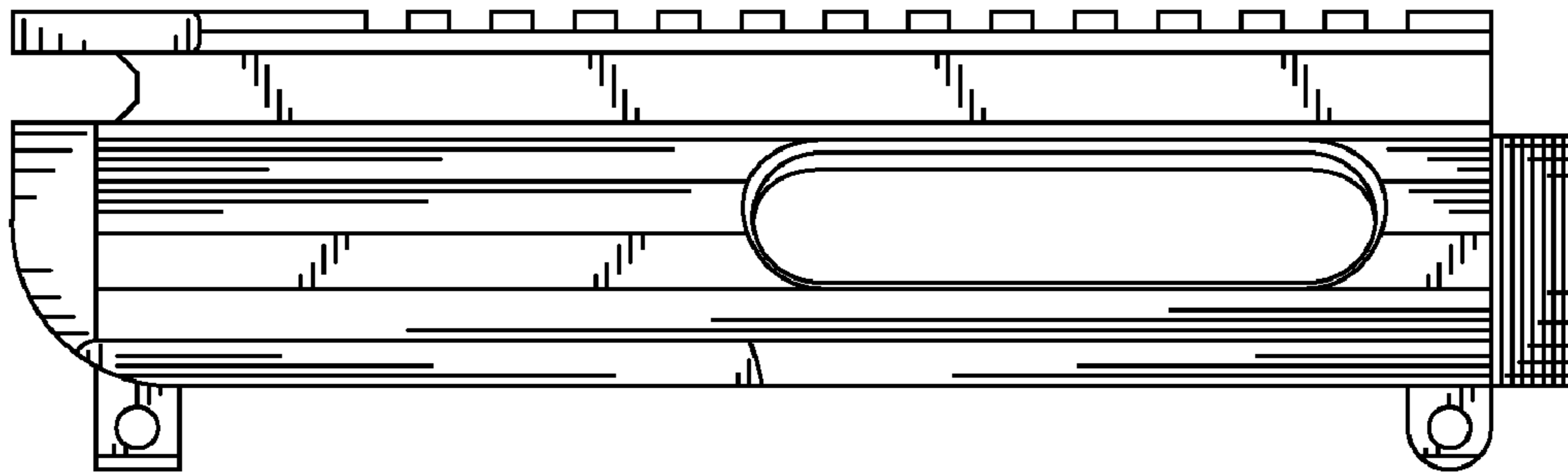


FIG. 4

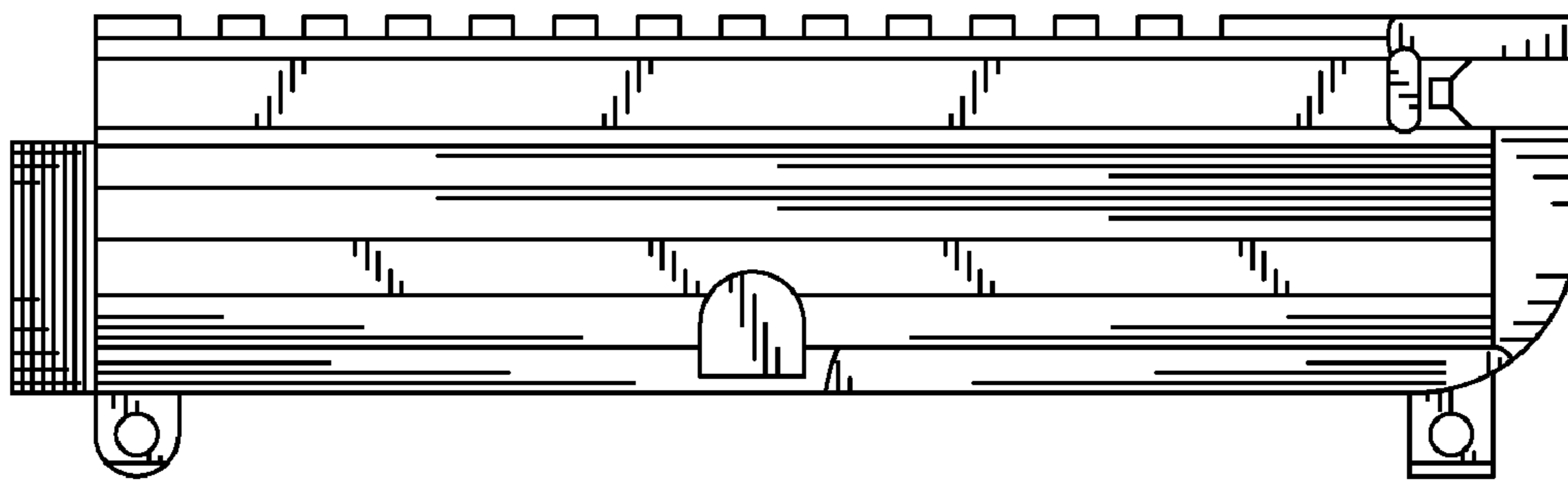


FIG. 5

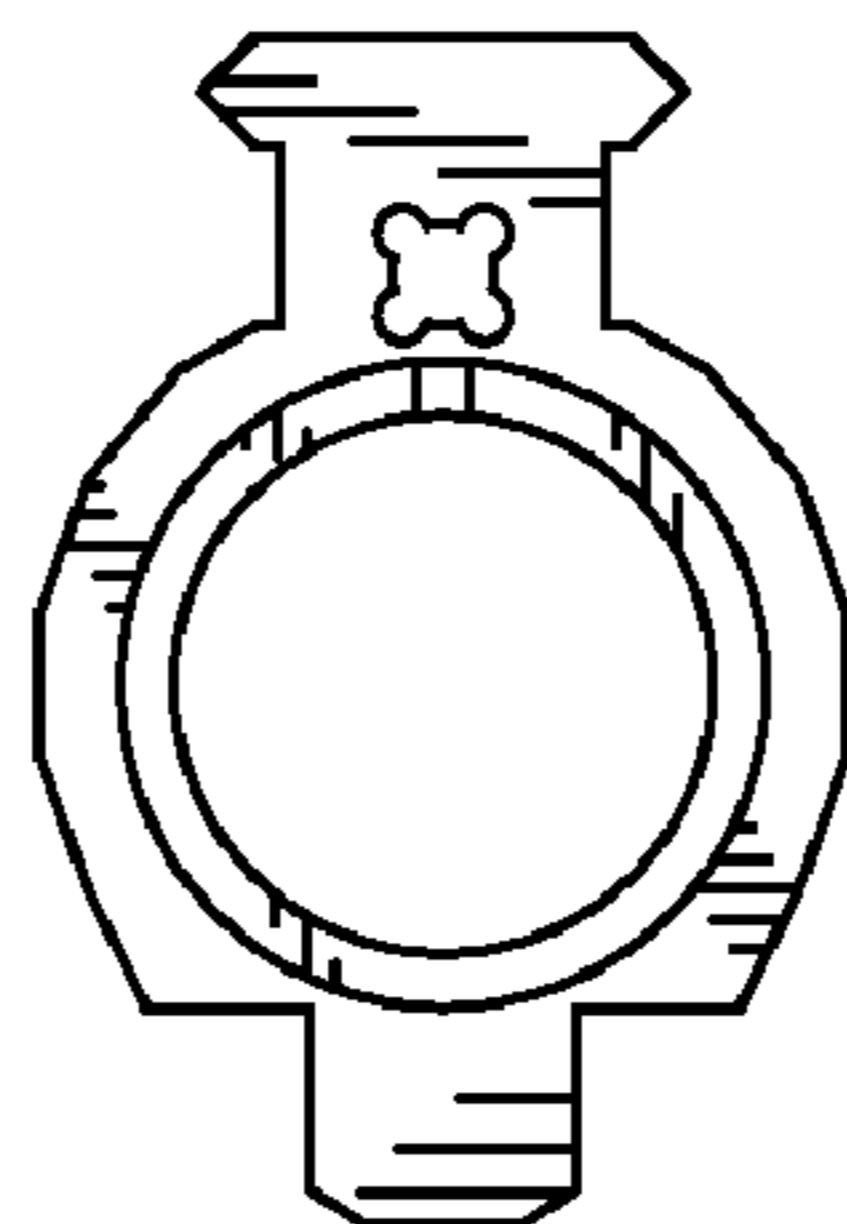


FIG. 6

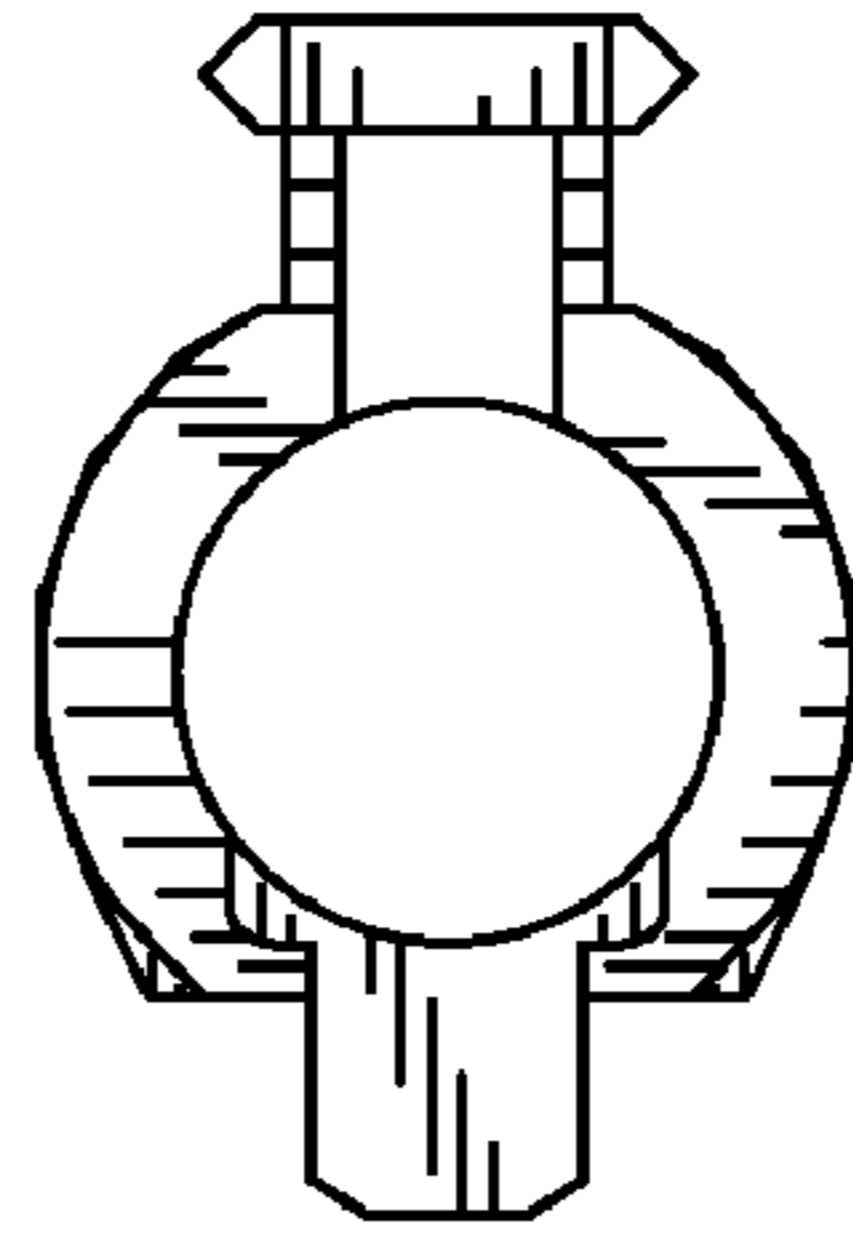


FIG. 7

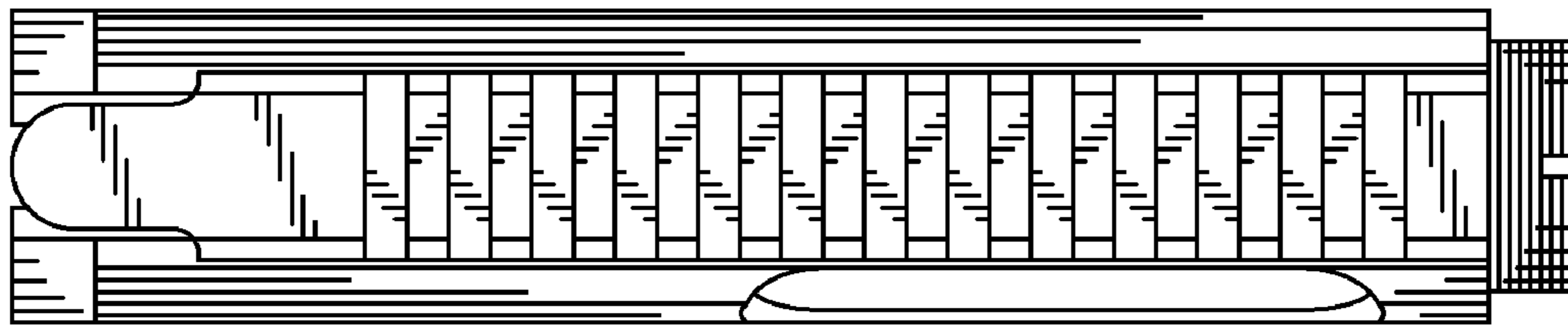


FIG. 8

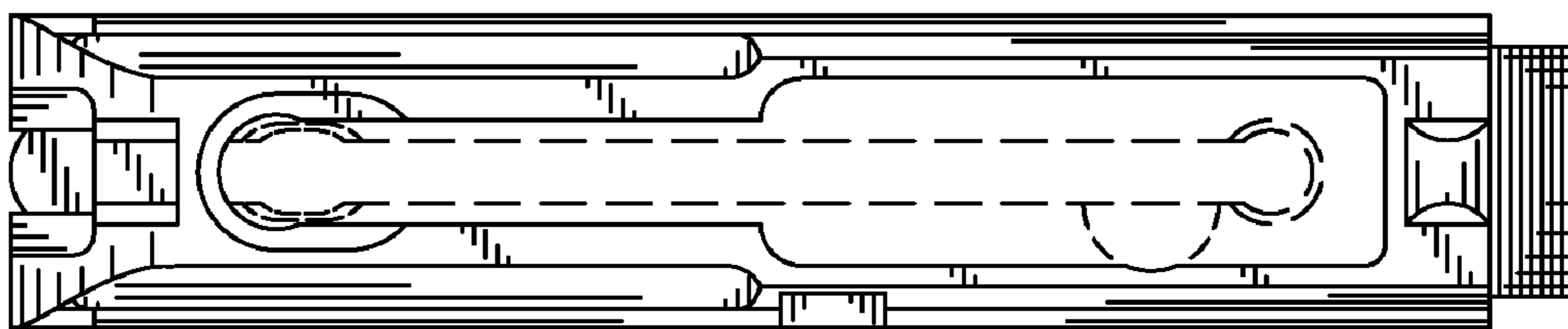


FIG. 9