



US00D631929S

(12) **United States Design Patent**
Doone et al.

(10) **Patent No.:** **US D631,929 S**
(45) **Date of Patent:** **** Feb. 1, 2011**

(54) **NOVELTY PUSH BUTTON**

(76) Inventors: **Robert M. Doone**, 1671 Aquetong Rd.,
New Hope, PA (US) 18938; **Jeffrey P.**
Hlesciak, 11 Jasmine Rd., Lumberton,
NJ (US) 08048

(**) Term: **14 Years**

(21) Appl. No.: **29/349,297**

(22) Filed: **Mar. 23, 2010**

(51) **LOC (9) Cl.** **21-03**

(52) **U.S. Cl.** **D21/812; D19/100**

(58) **Field of Classification Search** D21/811-813,
D21/791, 405; D19/65, 96, 100; D14/456;
362/103, 104, 612, 806, 800, 812; 40/1.5;
273/161, 459

See application file for complete search history.

(56) **References Cited**

U.S. PATENT DOCUMENTS

4,215,388 A * 7/1980 Reimann 362/104
D305,022 S * 12/1989 Hallgren et al. D13/171
5,239,450 A * 8/1993 Wall 362/104
D537,480 S * 2/2007 Sullivan D19/100
D582,498 S * 12/2008 Austin D21/791

D606,595 S * 12/2009 Levy et al. D21/405
2002/0144885 A1 * 10/2002 Ushimaru 200/336
2005/0016823 A1 * 1/2005 Ali 200/11 R

* cited by examiner

Primary Examiner—Mitchell I Siegel

(74) *Attorney, Agent, or Firm*—Stuart M. Goldstein

(57) **CLAIM**

The ornamental design for the novelty push button, as shown
and described.

DESCRIPTION

FIG. 1 is a perspective view of the design of the present
invention.

FIG. 2 is a top view of the design of the present invention.

FIG. 3 is a bottom view of the design of the present invention.

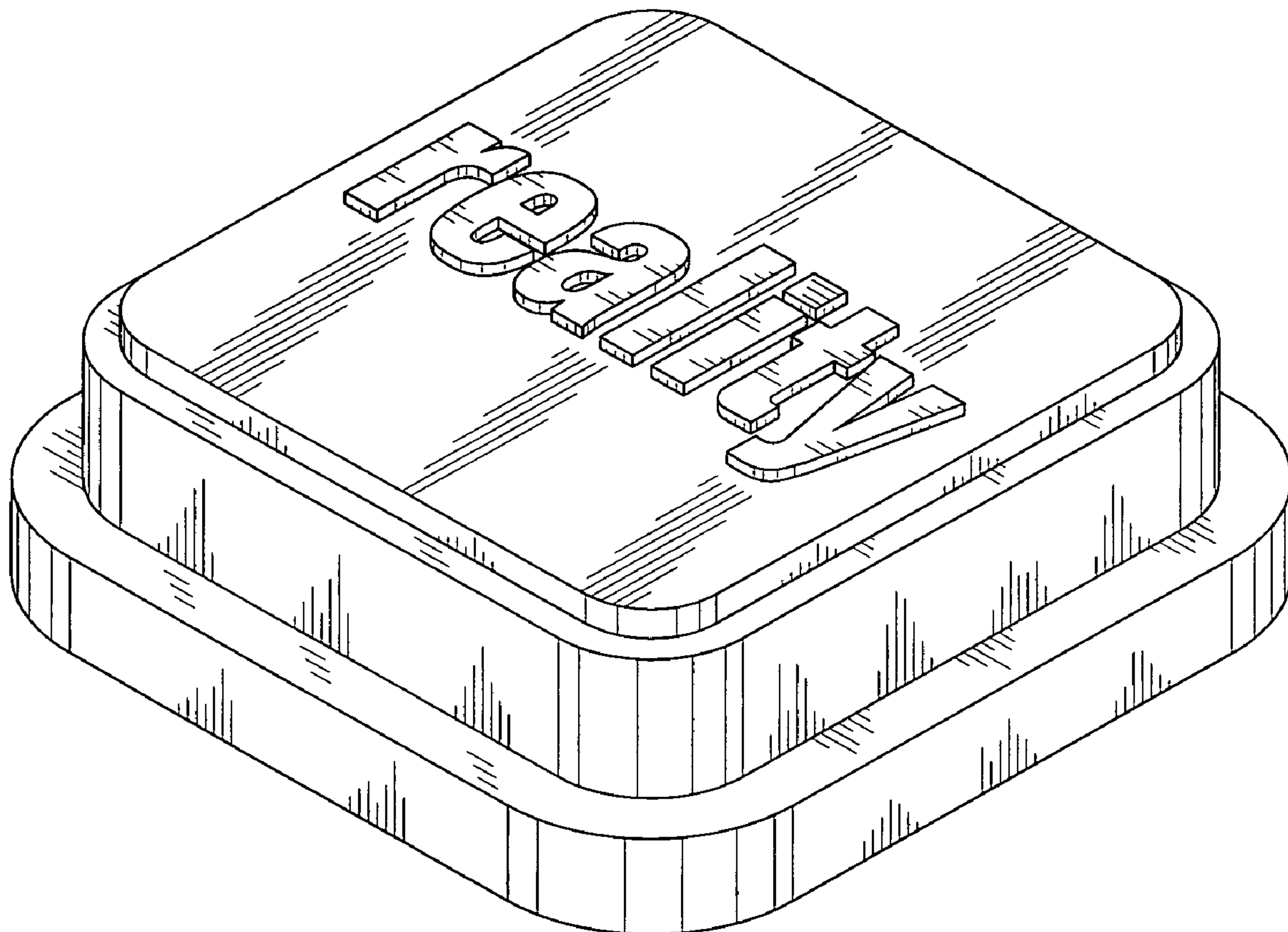
FIG. 4 is a front view of the design of the present invention.

FIG. 5 is a rear view of the design of the present invention.

FIG. 6 is an elevation view of the design of the present
invention; and,

FIG. 7 is the opposite elevation view of the design of the
present invention.

1 Claim, 4 Drawing Sheets



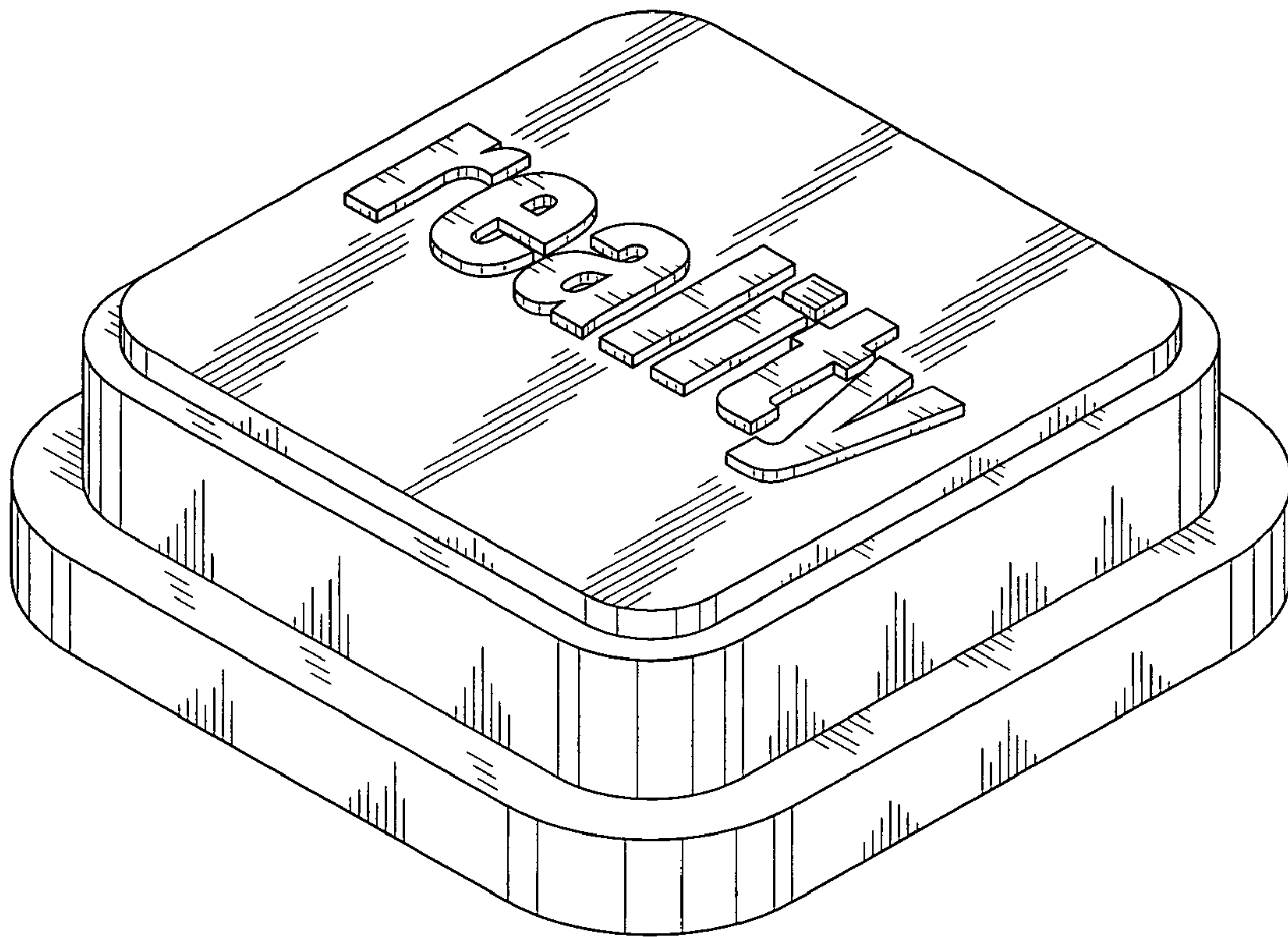


FIG. 1

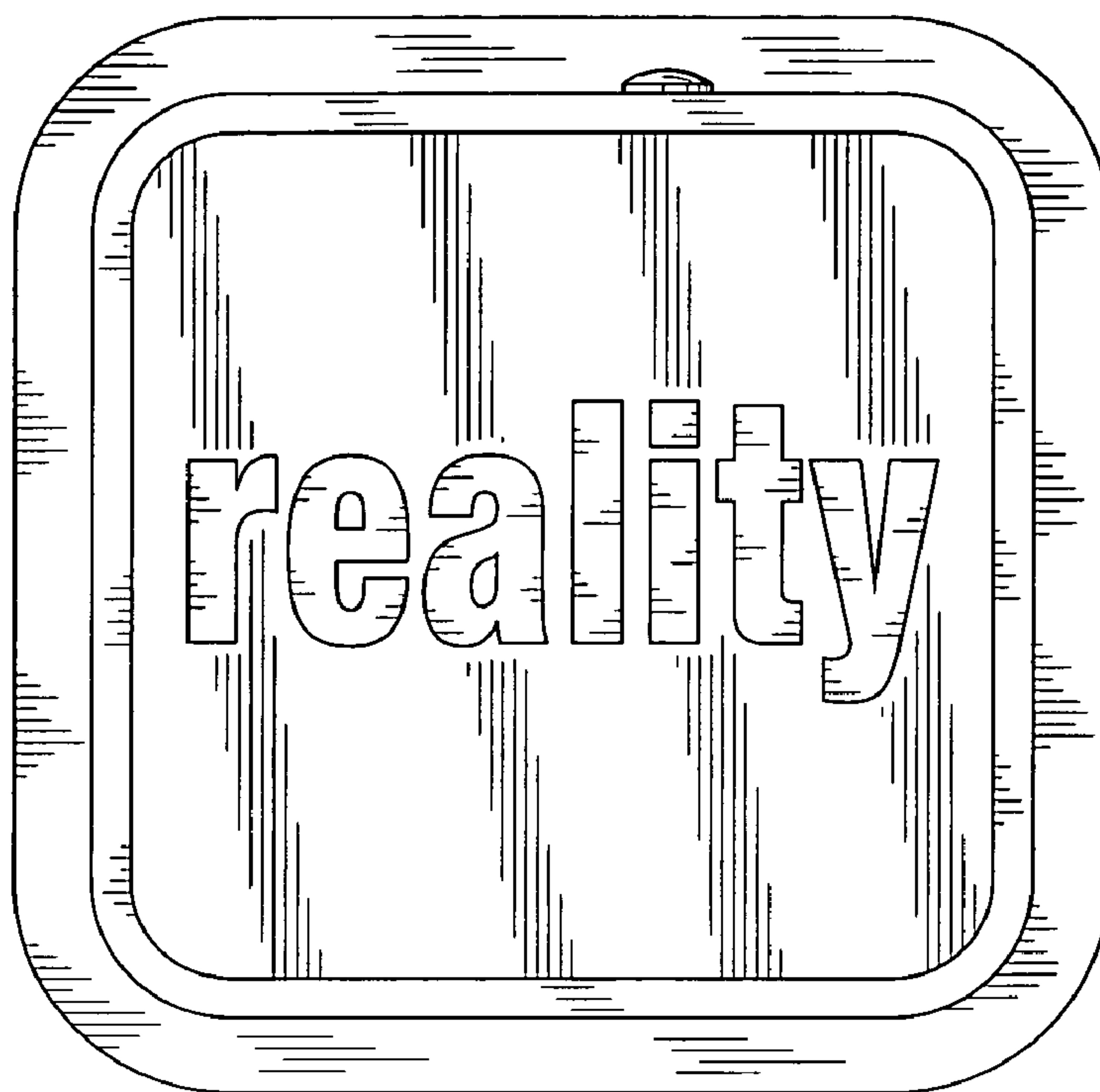


FIG. 2

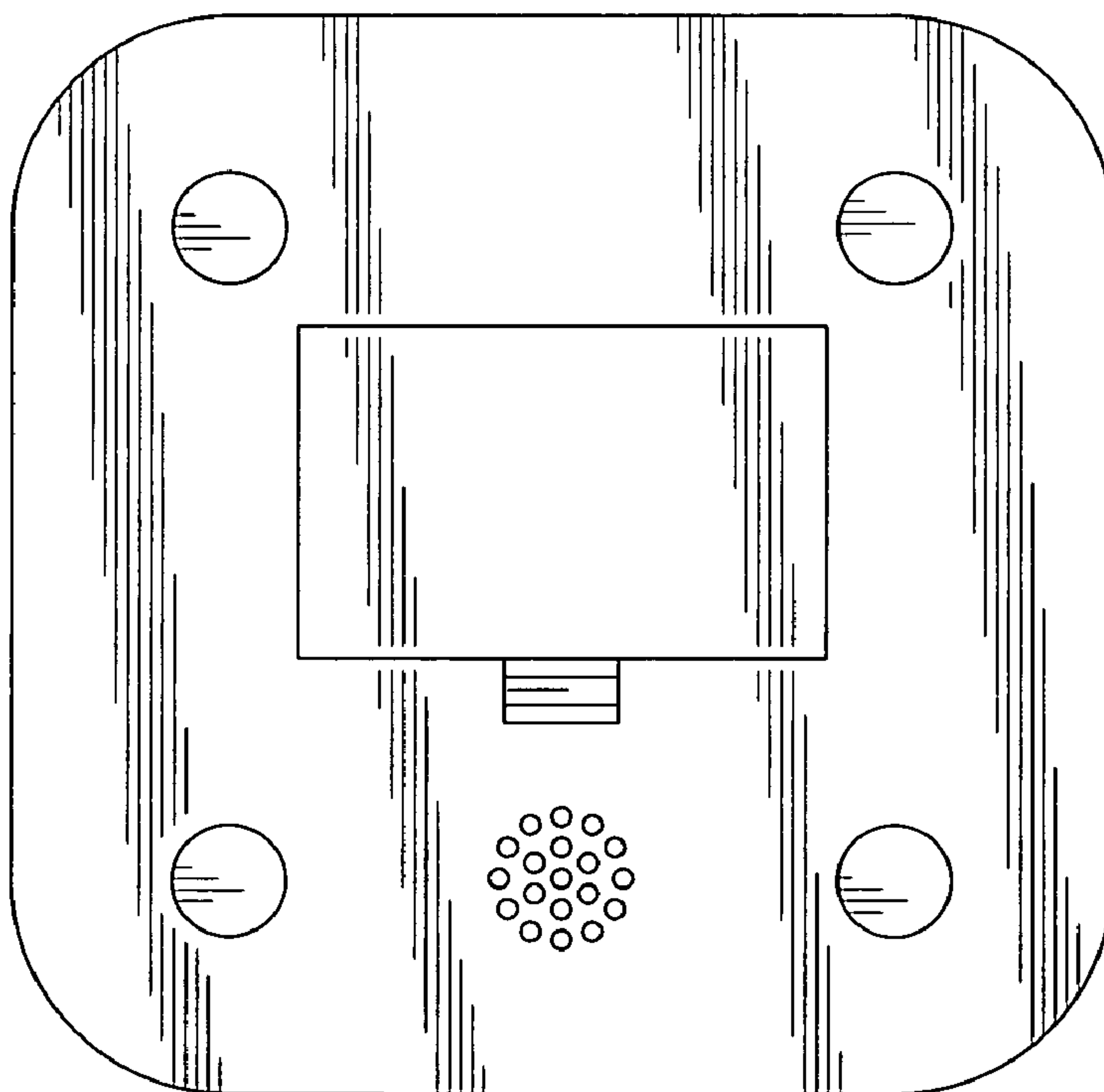


FIG. 3

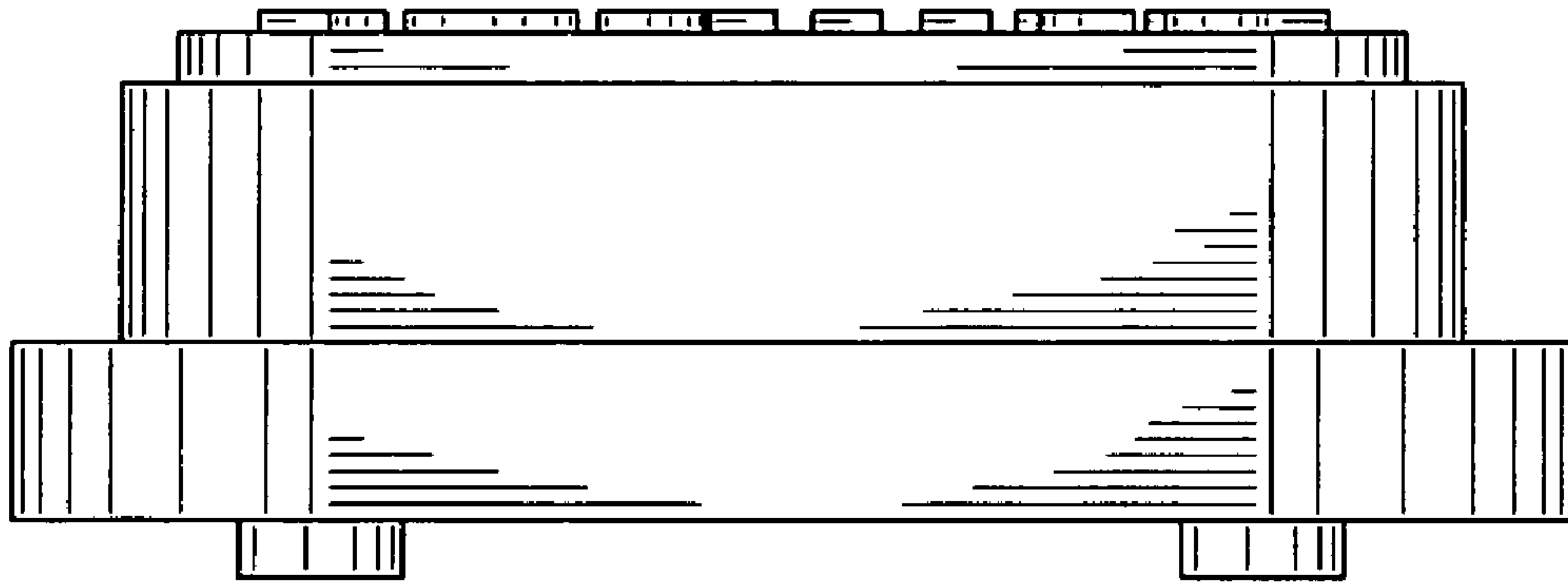


FIG. 4

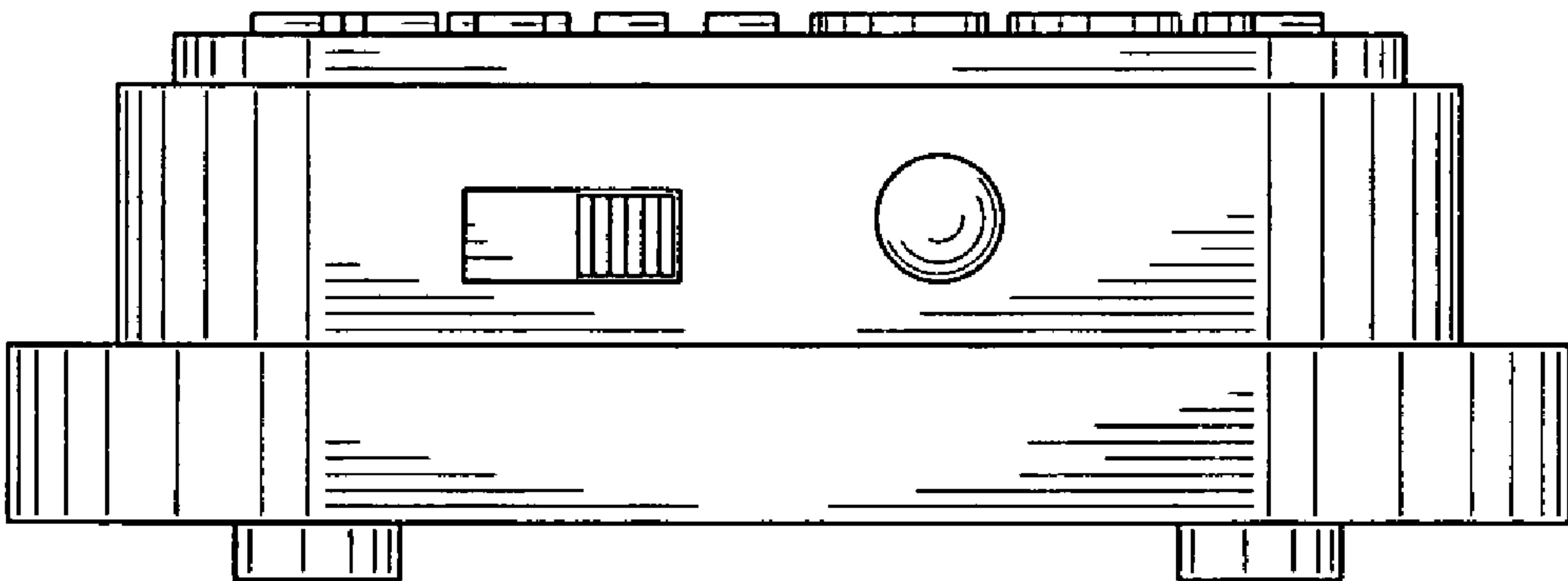


FIG. 5

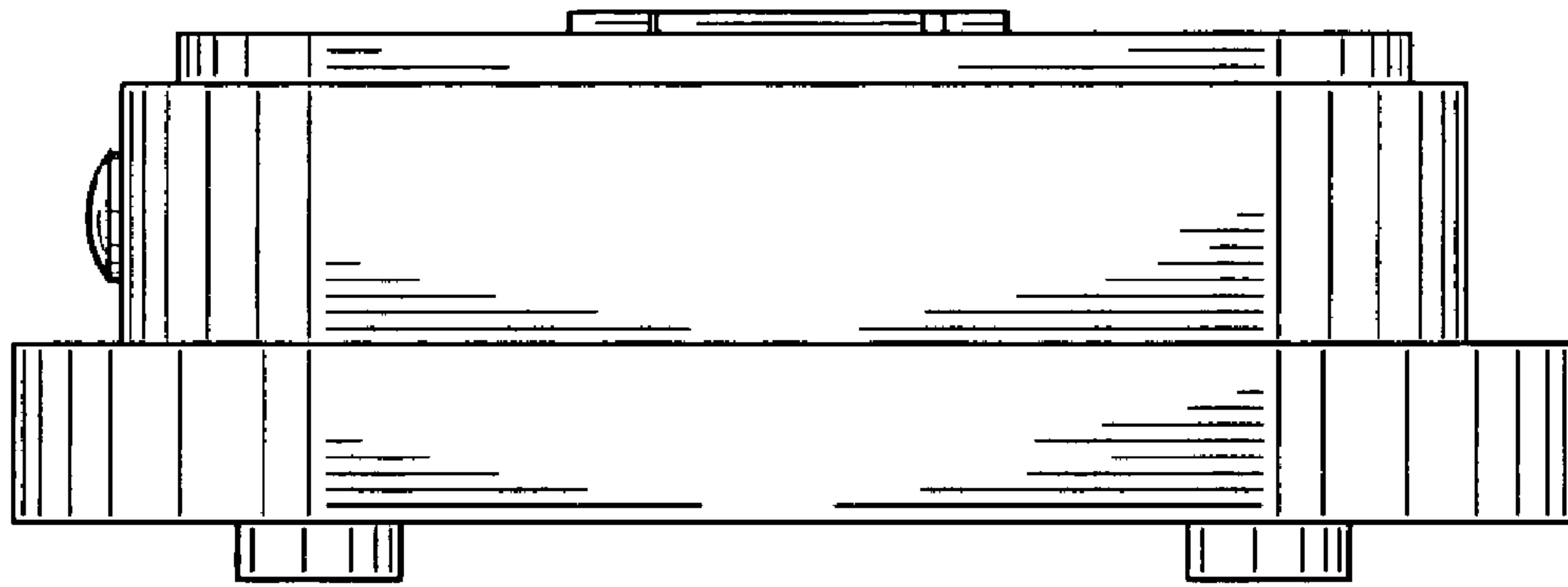


FIG. 6

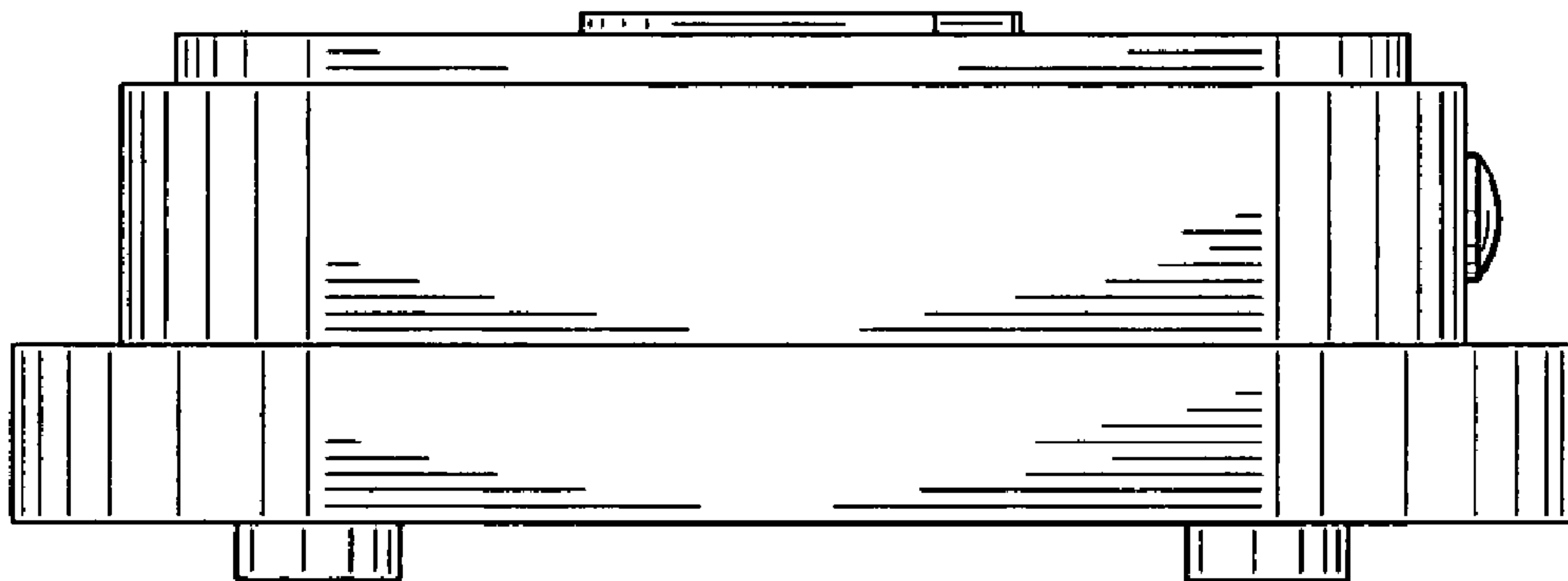


FIG. 7