

US00D631927S

(12) **United States Design Patent**
Potter

(10) **Patent No.:** **US D631,927 S**

(45) **Date of Patent:** **** Feb. 1, 2011**

(54) **SURFBOARD FIN**

(76) **Inventor:** **Courtney J. Potter**, 12 Ommanney Street, Augusta (AU) 6290

(**) **Term:** **14 Years**

(21) **Appl. No.:** **29/367,239**

(22) **Filed:** **Aug. 4, 2010**

(51) **LOC (9) Cl.** **21-02**

(52) **U.S. Cl.** **D21/778**

(58) **Field of Classification Search** D21/684-685,
D21/760-761, 765-766, 768-777, 778; 280/637,
280/11.36; 441/74-75

See application file for complete search history.

(56) **References Cited**

U.S. PATENT DOCUMENTS

D194,171 S *	11/1962	Senne	D21/778
D261,916 S *	11/1981	Knox	D21/778
D271,318 S *	11/1983	Hope	D21/778
D291,715 S *	9/1987	Alpine	D21/778
4,789,368 A *	12/1988	D'Onofrio	441/79
D307,310 S *	4/1990	Bucknell	D21/778
D315,772 S *	3/1991	St. John	D21/778

2003/0040236 A1* 2/2003 Burns et al. 441/74

* cited by examiner

Primary Examiner—Janice E Seeger

Assistant Examiner—Zenia I Bennett

(74) *Attorney, Agent, or Firm*—LaMorte & Associates

(57) **CLAIM**

The ornamental design for a surfboard fin, as shown and described.

DESCRIPTION

FIG. 1 is a right perspective view of a surfboard fin;

FIG. 2 is a left perspective view thereof;

FIG. 3 is a right top perspective view thereof;

FIG. 4 is a left bottom perspective view thereof;

FIG. 5 is a right side view thereof;

FIG. 6 is a left side view thereof;

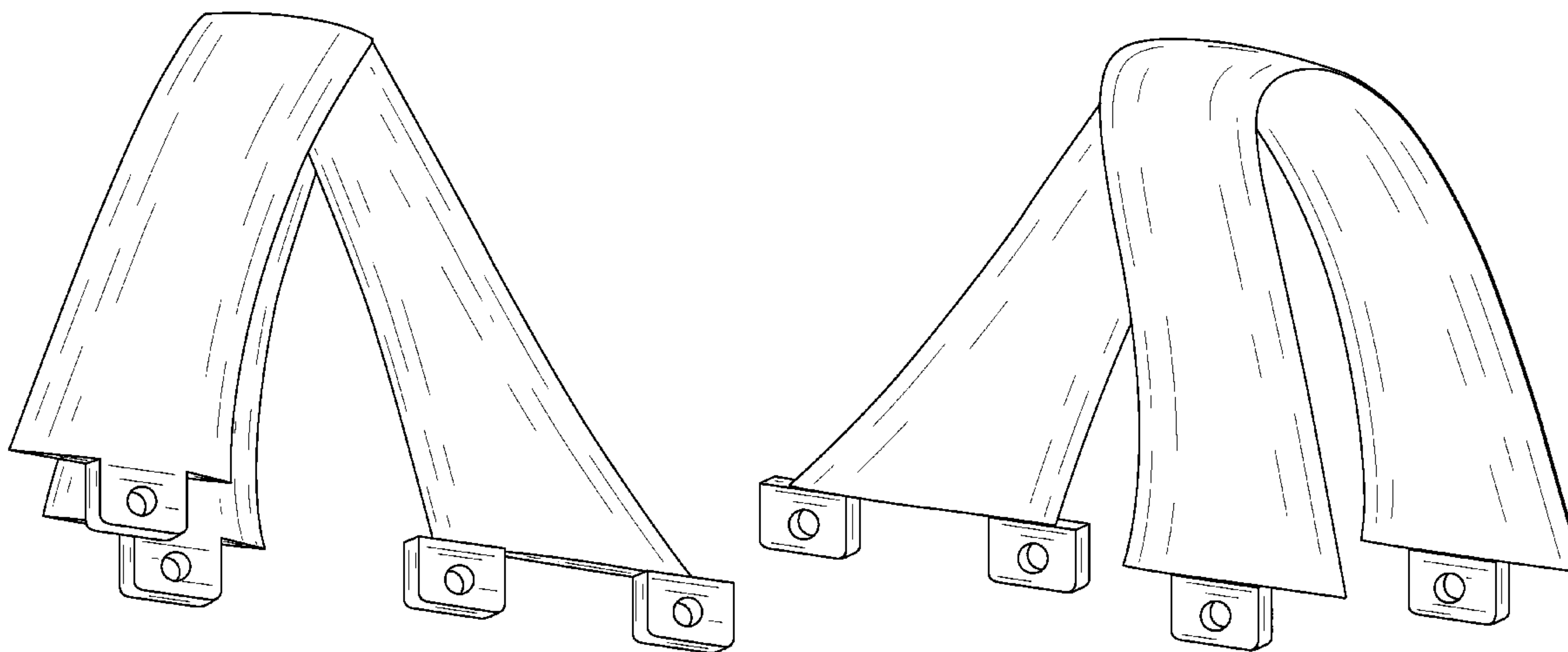
FIG. 7 is a rear view thereof;

FIG. 8 is a front view thereof;

FIG. 9 is a top view thereof; and,

FIG. 10 is a bottom view thereof.

1 Claim, 8 Drawing Sheets



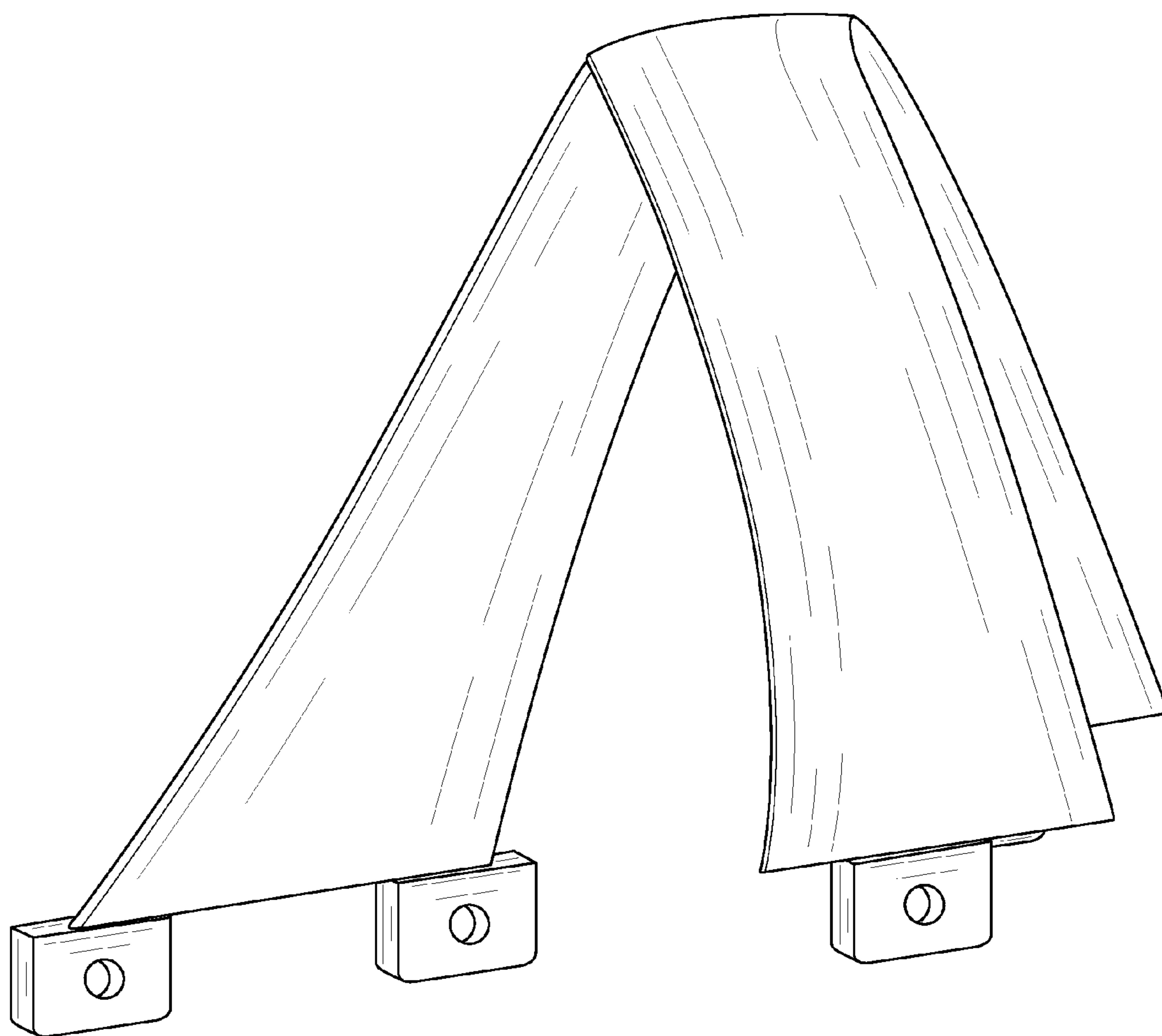


FIG. 1

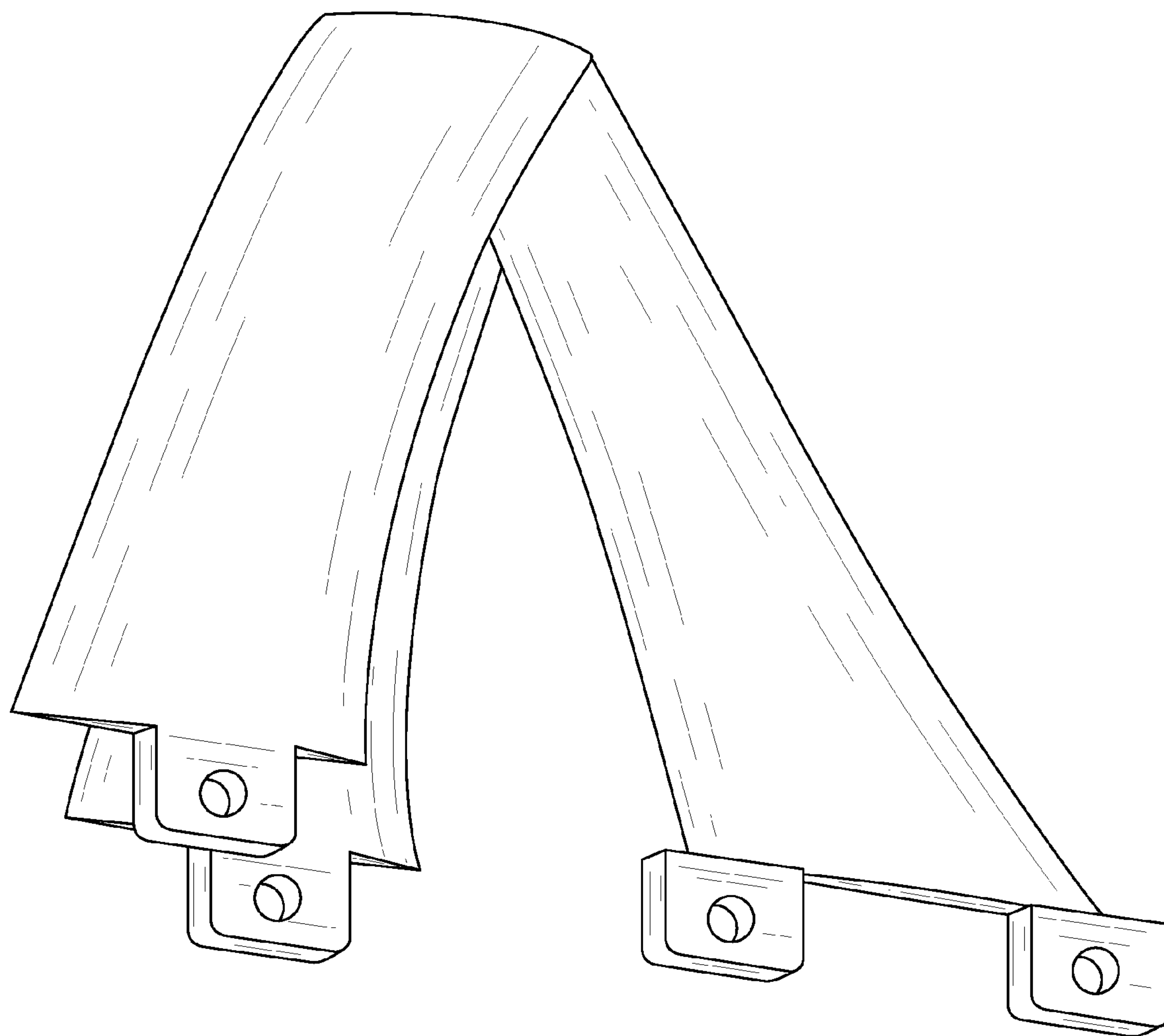


FIG. 2

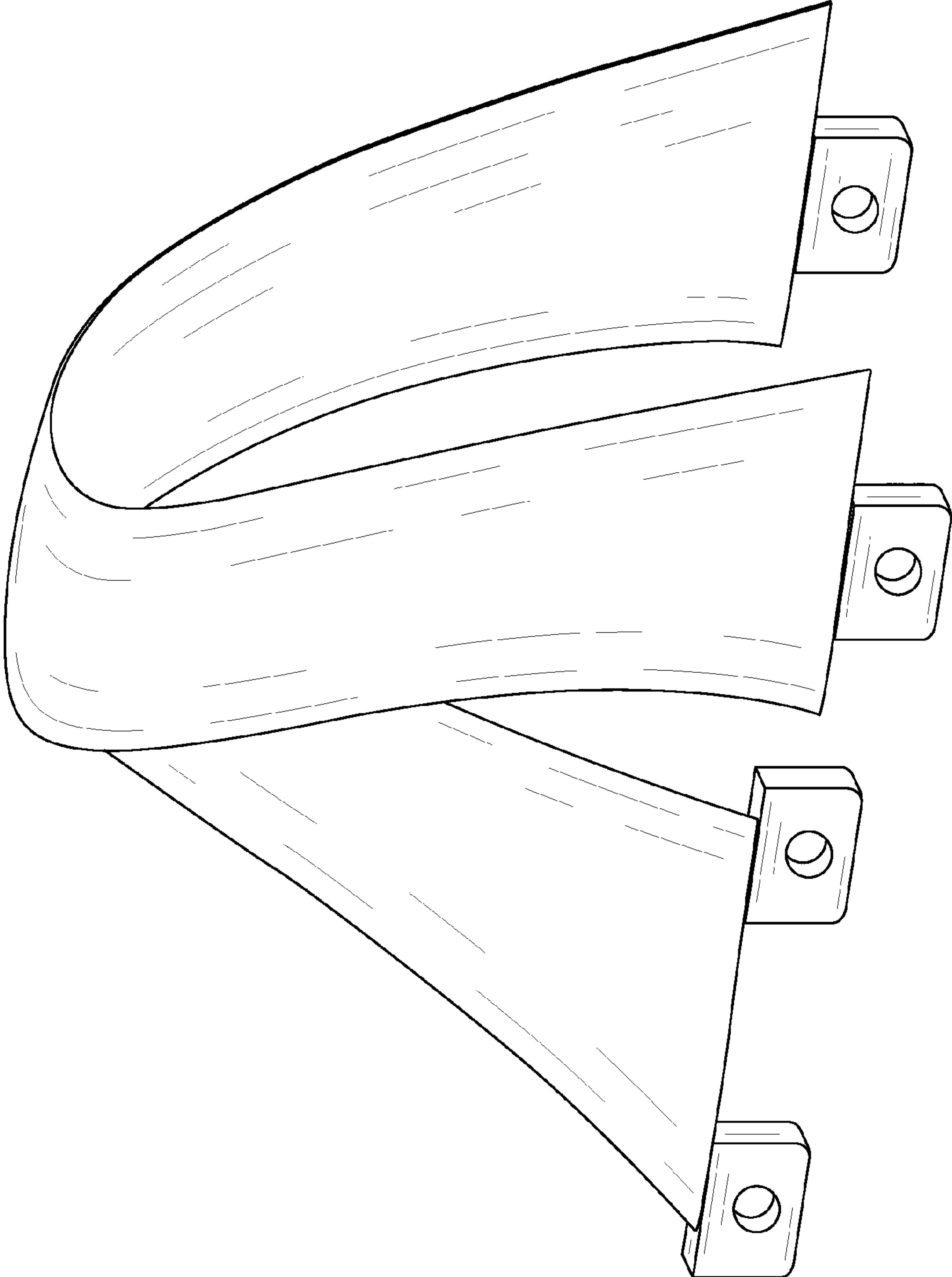


FIG. 3

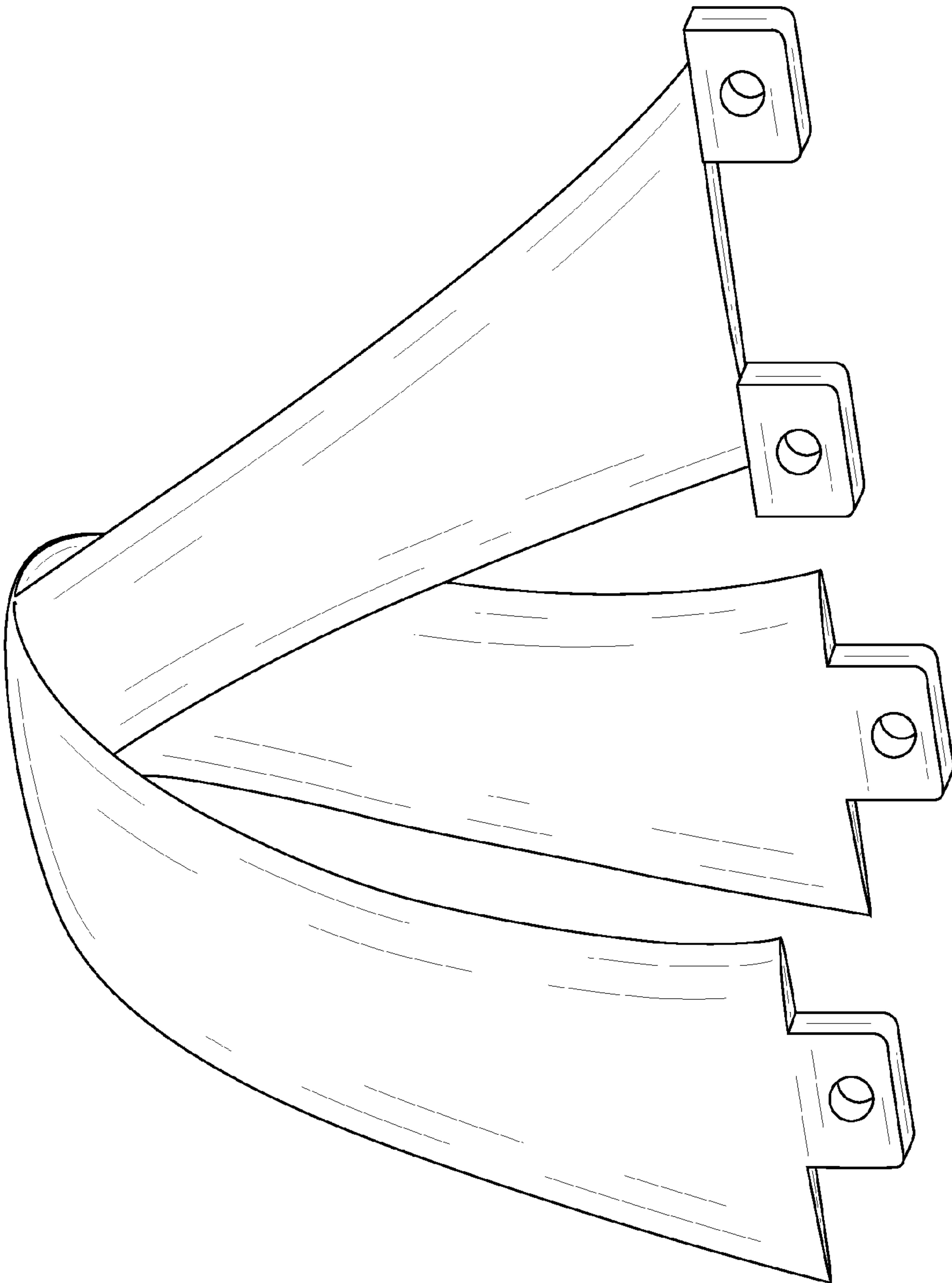


FIG. 4

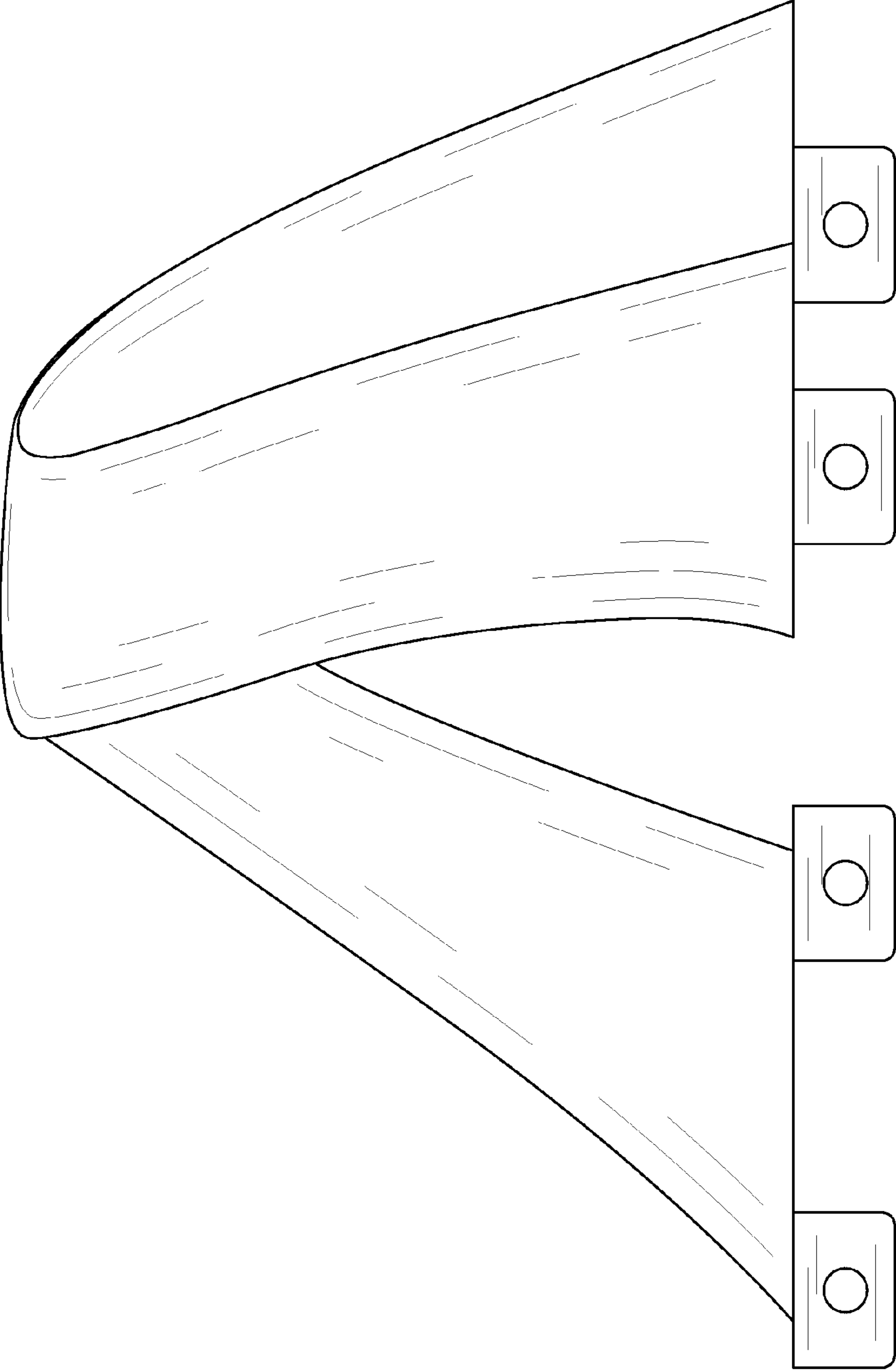


FIG. 5

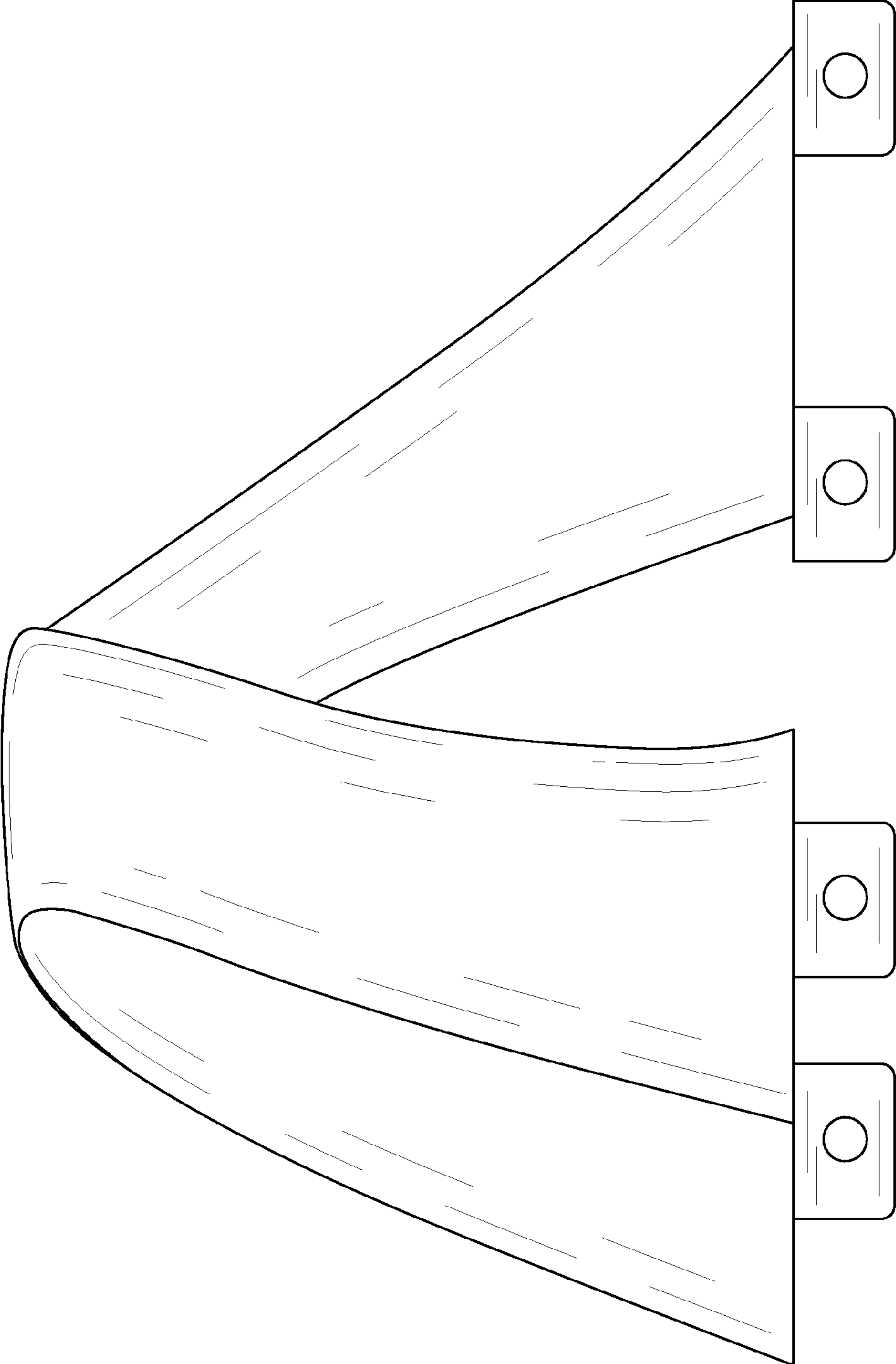


FIG. 6

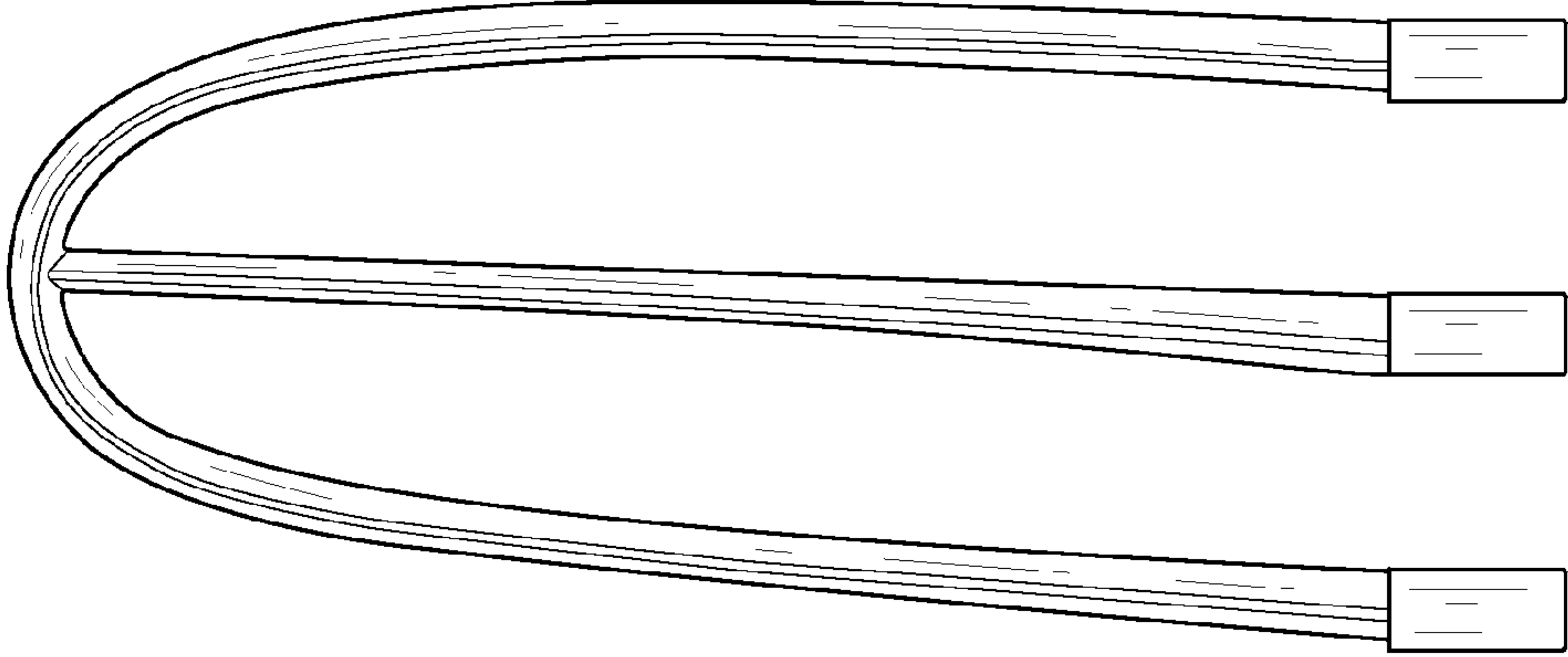


FIG. 8

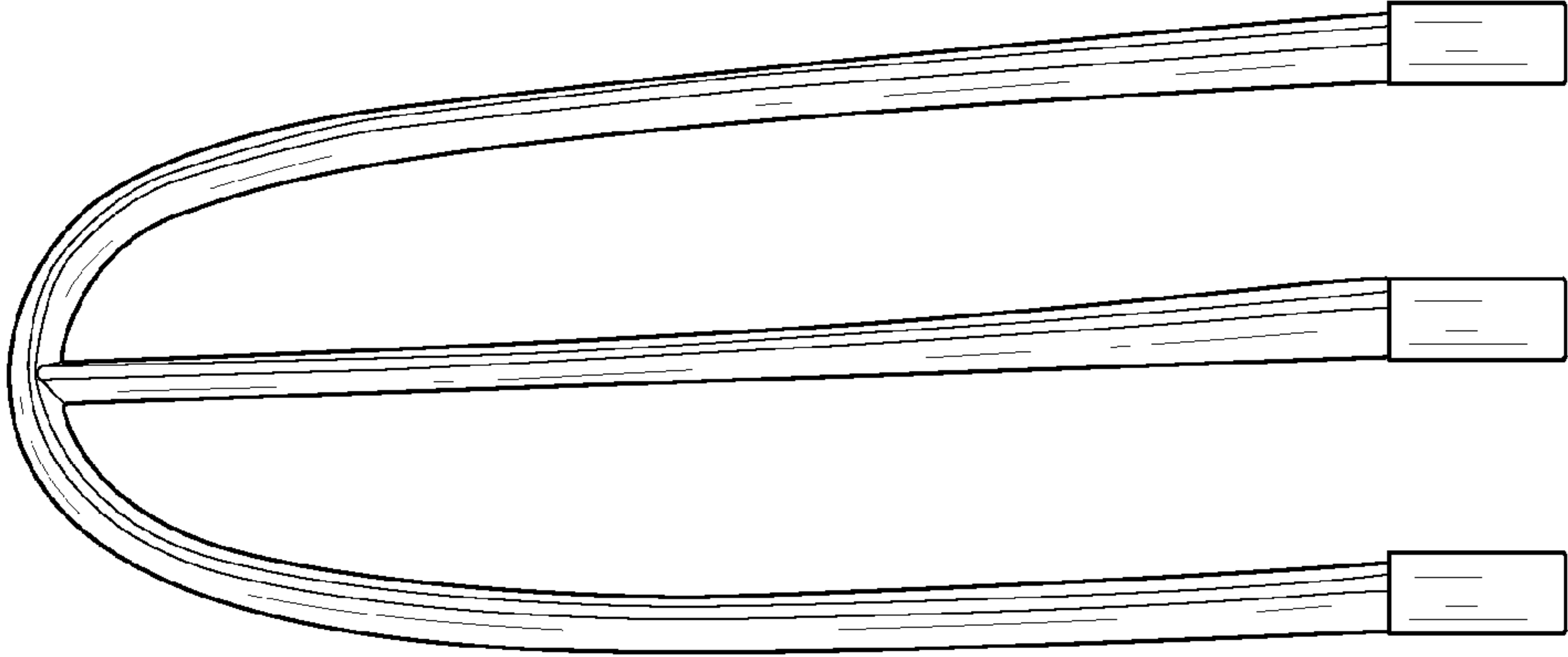


FIG. 7

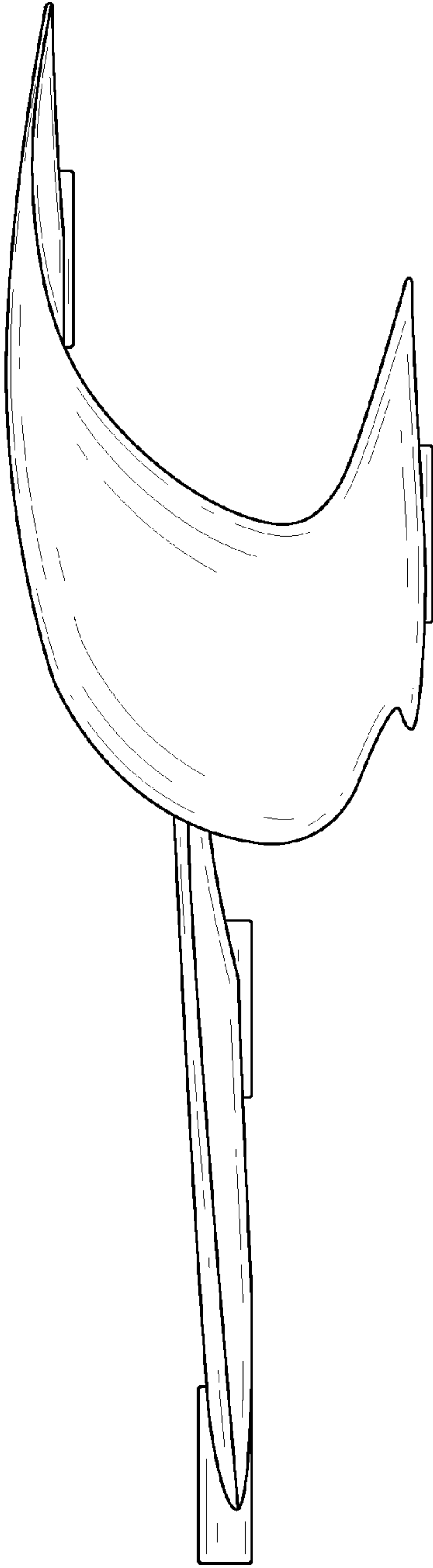


FIG. 9

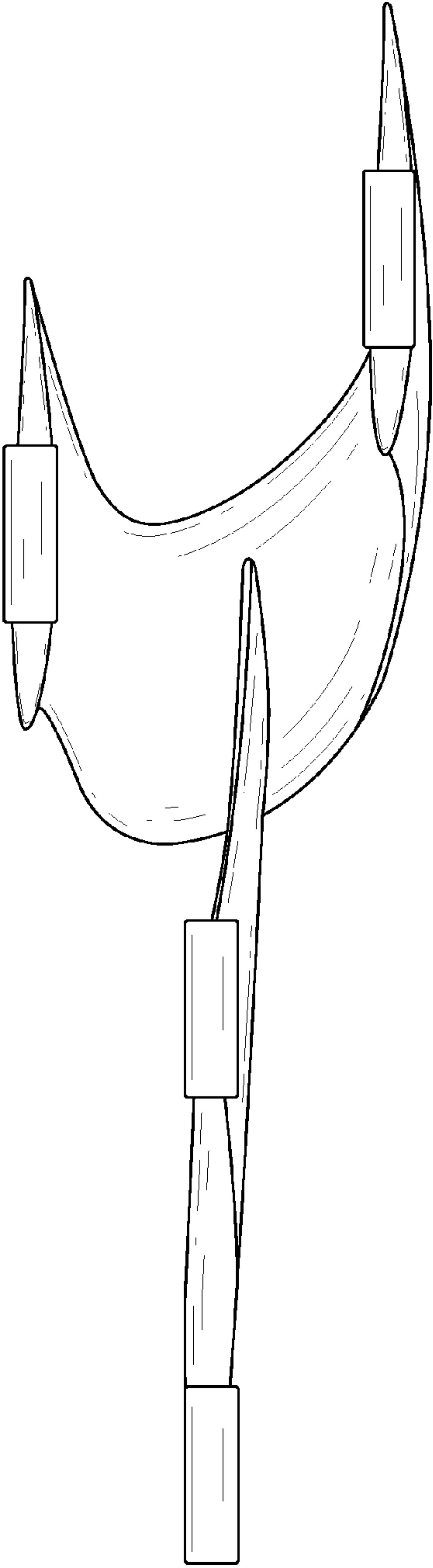


FIG. 10