



US00D631922S

(12) **United States Design Patent**  
**Kang**

(10) **Patent No.:** **US D631,922 S**  
(45) **Date of Patent:** **\*\* Feb. 1, 2011**

(54) **REMOTE CONTROL UNIT**

(75) Inventor: **Paulo Kang**, Burbank, CA (US)

(73) Assignee: **Mattel, Inc.**, El Segundo, CA (US)

(\*\*) Term: **14 Years**

(21) Appl. No.: **29/322,679**

(22) Filed: **Aug. 8, 2008**

**Related U.S. Application Data**

(62) Division of application No. 29/322,389, filed on Aug. 4, 2008, and a division of application No. 29/303,316, filed on Feb. 6, 2008, now abandoned.

(51) **LOC (9) Cl.** ..... **21-01**

(52) **U.S. Cl.** ..... **D21/566; D21/453**

(58) **Field of Classification Search** ..... D21/436-454,  
D21/324, 333, 566; D12/319-345; 446/30-68,  
446/429, 454-456; 244/4 R-4 A; D13/168,  
D13/169; D14/388, 400, 401, 412-416,  
D14/418; 463/37-39, 46, 47  
See application file for complete search history.

(56) **References Cited**

**U.S. PATENT DOCUMENTS**

- 1,332,175 A 2/1920 Hashimoto
- 2,138,168 A 11/1938 Horak
- 2,382,347 A \* 8/1945 Streater ..... 446/42
- 2,432,774 A 12/1947 Lefustec
- 2,765,992 A \* 10/1956 Oberg ..... 244/6
- 2,937,473 A 5/1960 Vlachos
- 2,945,642 A \* 7/1960 Nofi ..... 244/12.2
- 2,949,693 A 8/1960 McRoskey
- 3,082,977 A 3/1963 Arlin
- D197,447 S 2/1964 Friedrich
- 3,182,422 A 5/1965 Ryan
- D209,526 S \* 12/1967 Dunbar ..... D21/444
- 3,394,906 A 7/1968 Rogers
- 3,488,882 A 1/1970 Scott
- D217,000 S 3/1970 Getz
- 3,583,659 A 6/1971 Lermusiaux
- 3,603,033 A 9/1971 Mueller

- 3,955,817 A 5/1976 Davis
- 4,065,873 A 1/1978 Jones
- 4,184,654 A 1/1980 Herrera
- 4,335,537 A \* 6/1982 Walker ..... 446/36
- 4,390,148 A 6/1983 Cudmore
- D321,732 S 11/1991 Furst
- 5,071,383 A 12/1991 Kinoshita
- 5,190,242 A 3/1993 Nichols
- 5,259,802 A 11/1993 Yang
- 5,324,223 A 6/1994 Yang
- 5,429,542 A 7/1995 Britt, Jr.
- 5,492,494 A 2/1996 Keennon
- 5,516,060 A 5/1996 McDonnell

(Continued)

*Primary Examiner*—Catherine Tuttle  
(74) *Attorney, Agent, or Firm*—Panitch Schwarze Belisario & Nadel LLP

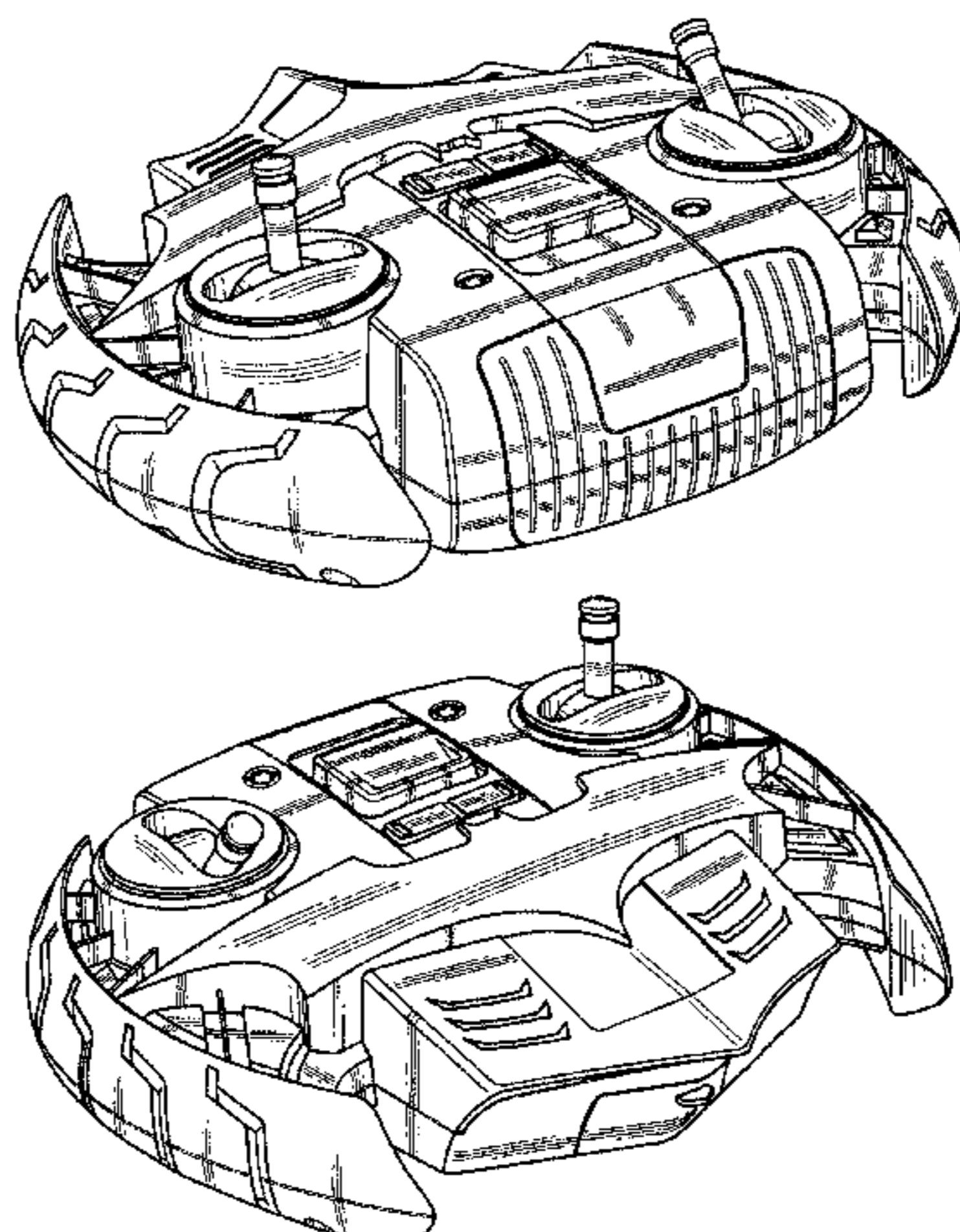
(57) **CLAIM**

The ornamental design for a remote control unit, as shown and described.

**DESCRIPTION**

FIG. 1 is a perspective view of the front, right and upper sides of a remote control unit according to the design;  
FIG. 2 is a perspective view of the rear, left and upper sides thereof;  
FIG. 3 is a front elevation view thereof;  
FIG. 4 is a rear elevation view thereof;  
FIG. 5 is an elevation view of the left side thereof, the right side being a mirror image; and,  
FIG. 6 is a top plan view thereof.

**1 Claim, 5 Drawing Sheets**



# US D631,922 S

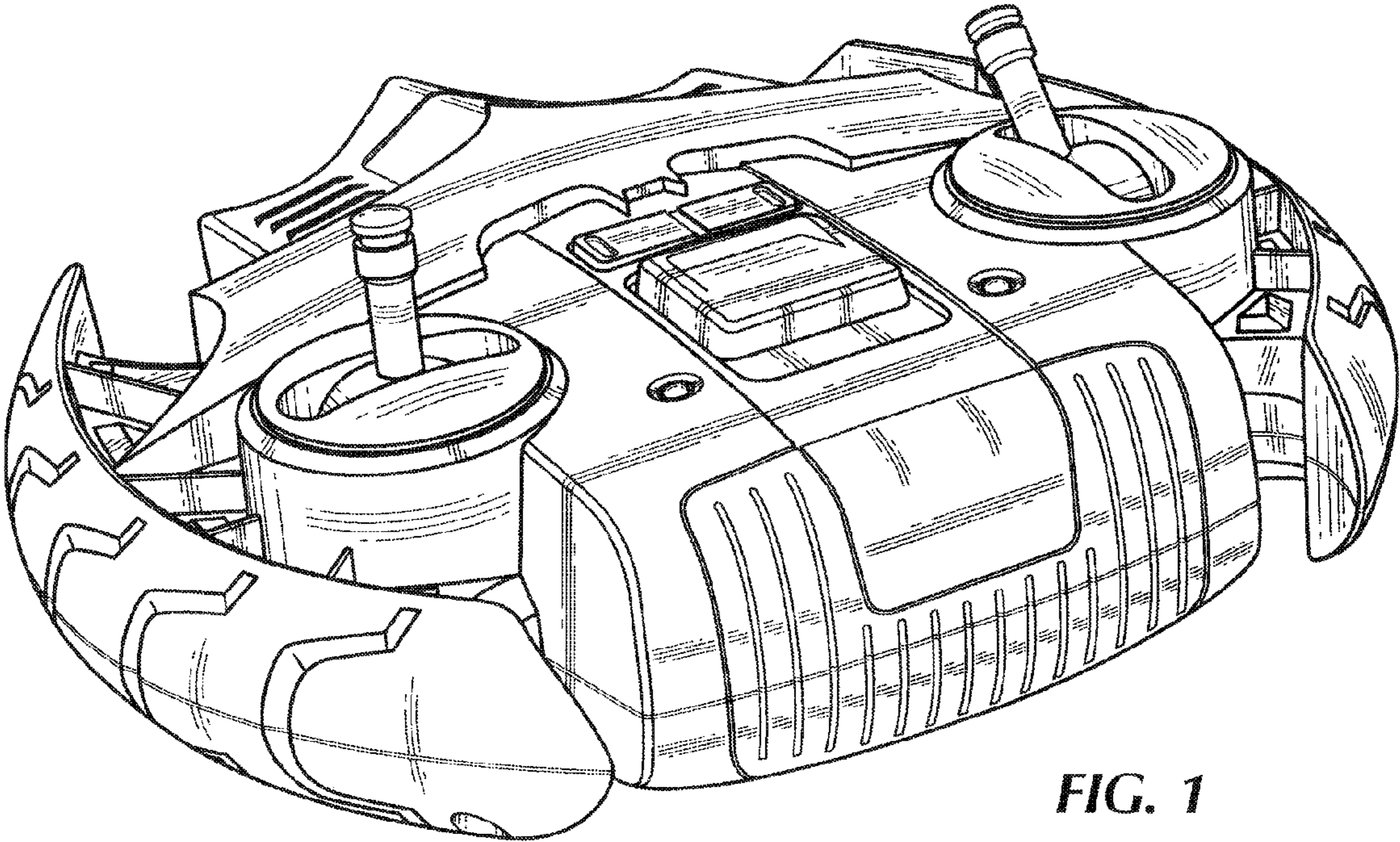
Page 2

---

## U.S. PATENT DOCUMENTS

D377,198 S *	1/1997	Oikawa et al. ....	D14/401	6,688,936 B2	2/2004	Davis	
5,634,839 A	6/1997	Dixon		D496,695 S	9/2004	Davis	
5,672,086 A	9/1997	Dixon		D504,430 S *	4/2005	Takahashi et al. ....	D14/401
5,974,785 A	11/1999	Cunningham et al.		D522,000 S *	5/2006	Hussaini et al. ....	D14/413
6,010,406 A *	1/2000	Kajikawa et al. ....	463/37	D546,904 S	7/2007	Bowen et al.	
D422,322 S	4/2000	Wei		D570,924 S	6/2008	Wai	
D435,553 S *	12/2000	Dougan et al. ....	D14/401	2004/0200924 A1	10/2004	Clark et al.	
D456,050 S	4/2002	Bao		2006/0025217 A1 *	2/2006	Hussaini et al. ....	463/36
6,616,534 B2 *	9/2003	Cheng .....	463/37	2007/0037468 A1	2/2007	Ong	
				2007/0215746 A1	9/2007	Rieken et al.	

\* cited by examiner



**FIG. 1**



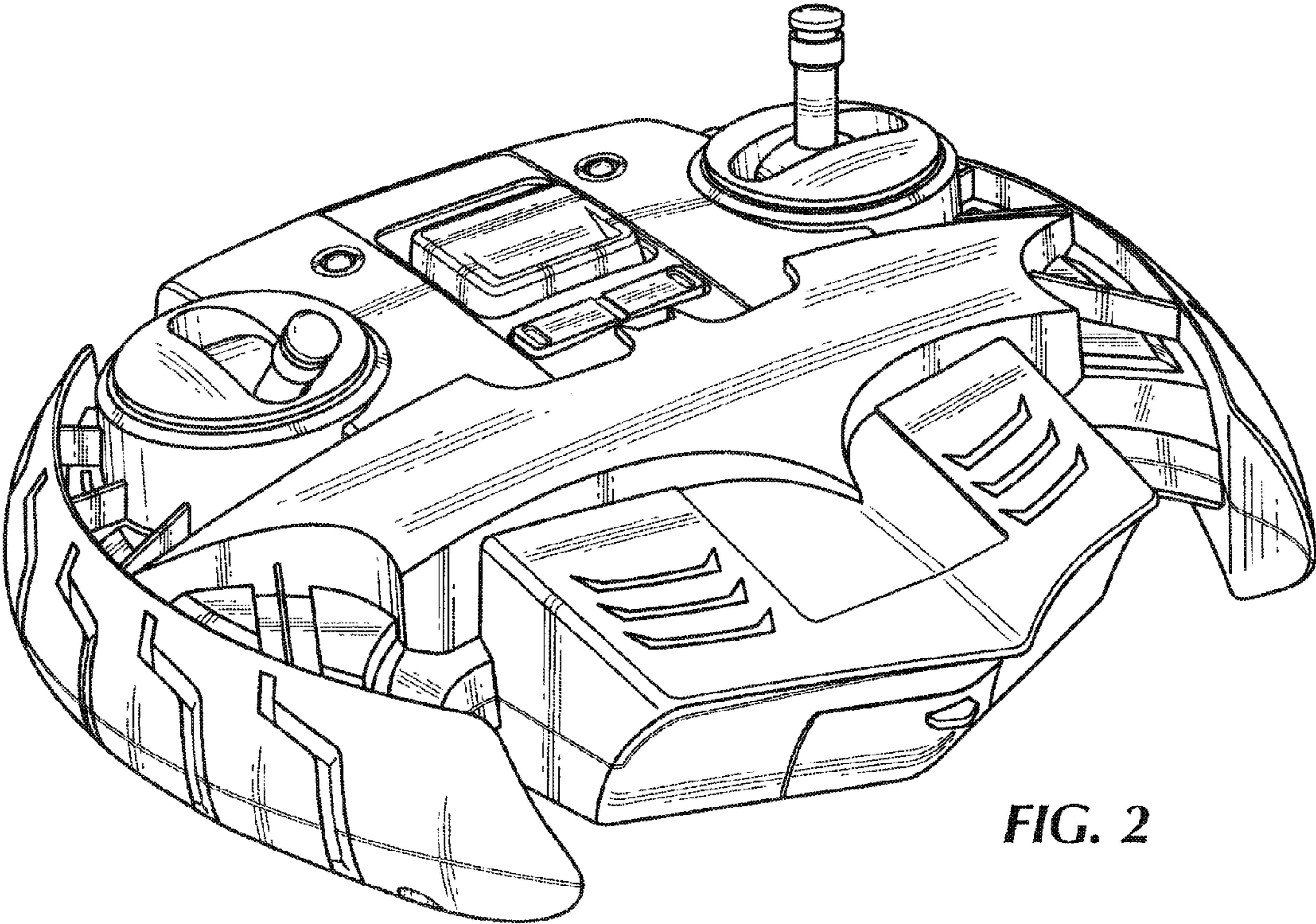


FIG. 2

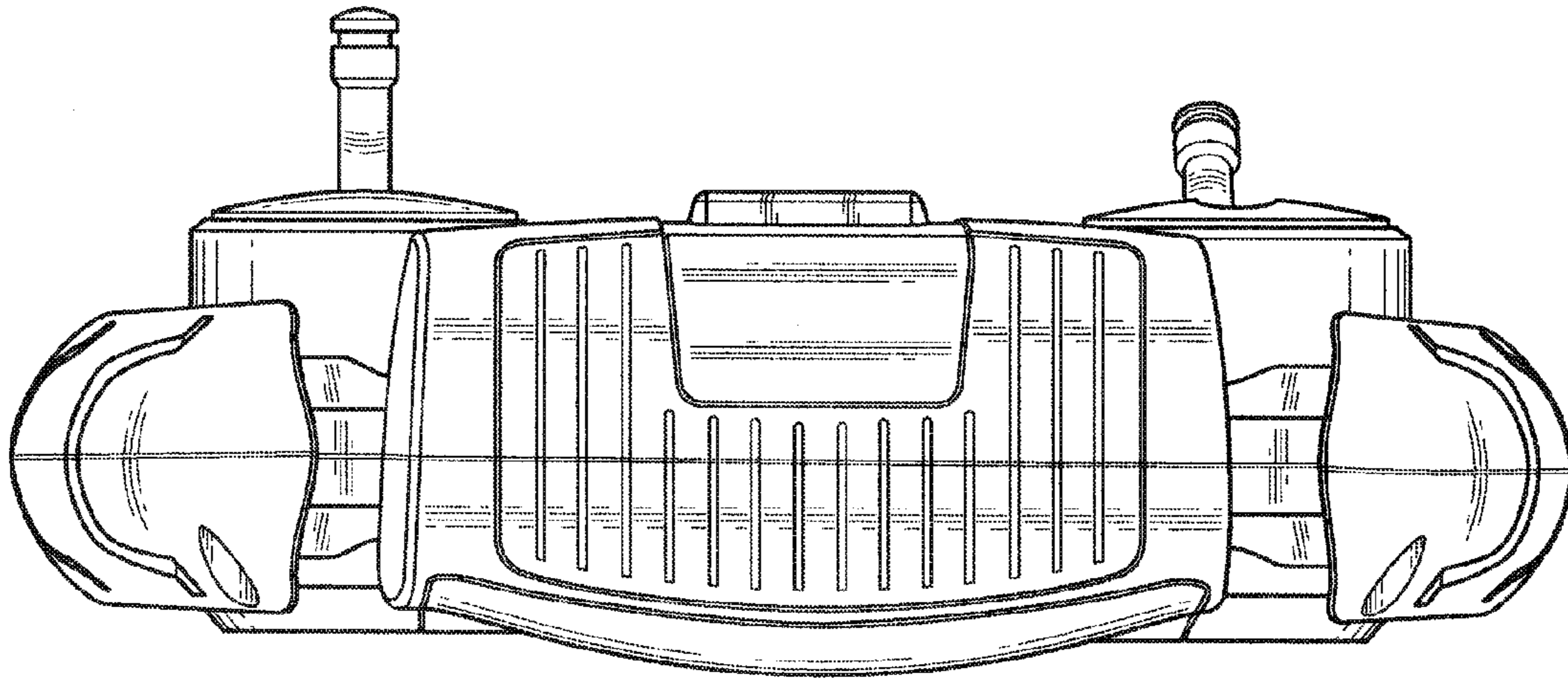


FIG. 3

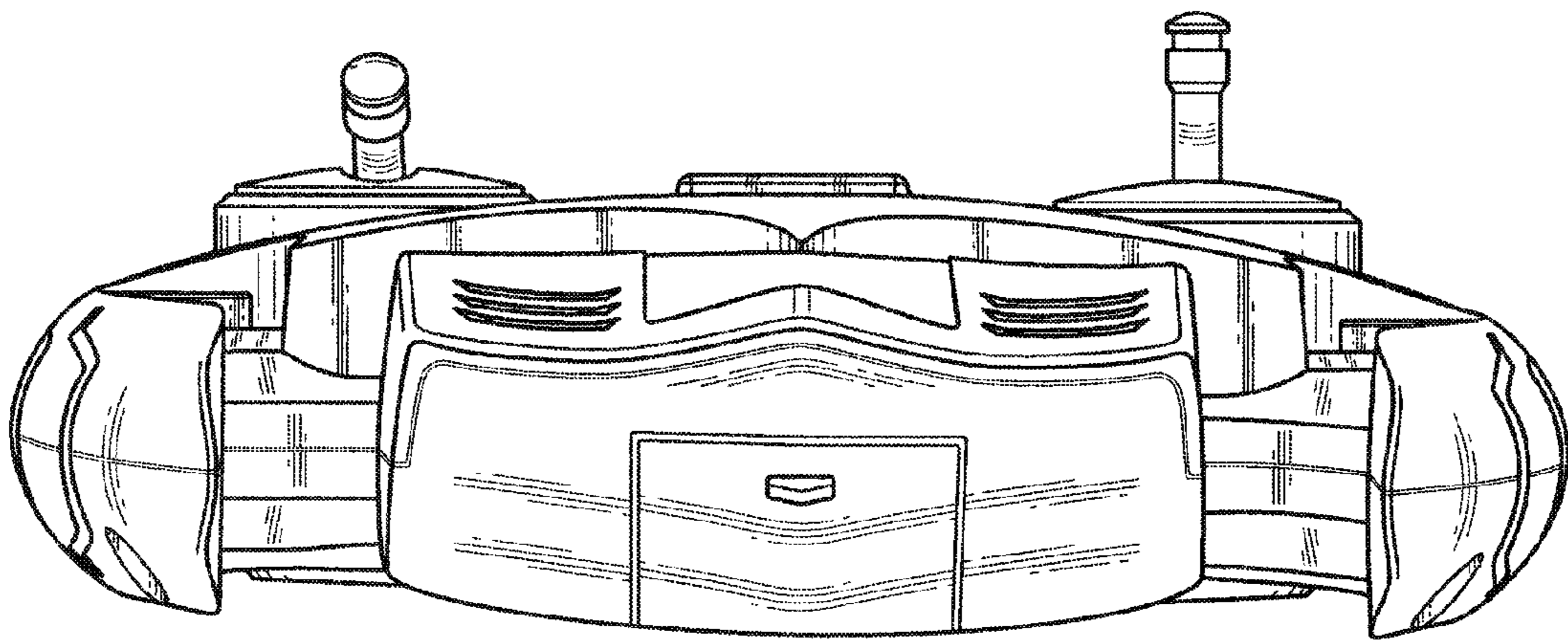
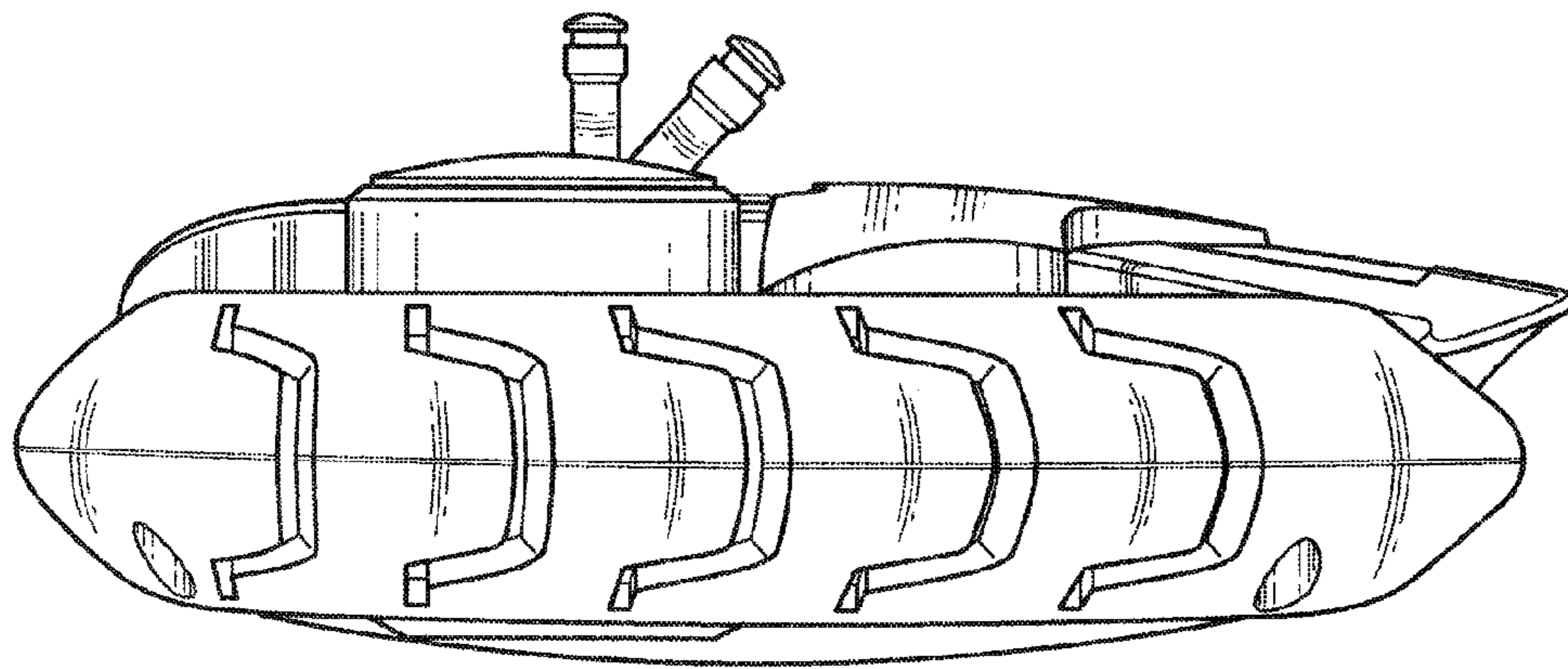


FIG. 4



**FIG. 5**



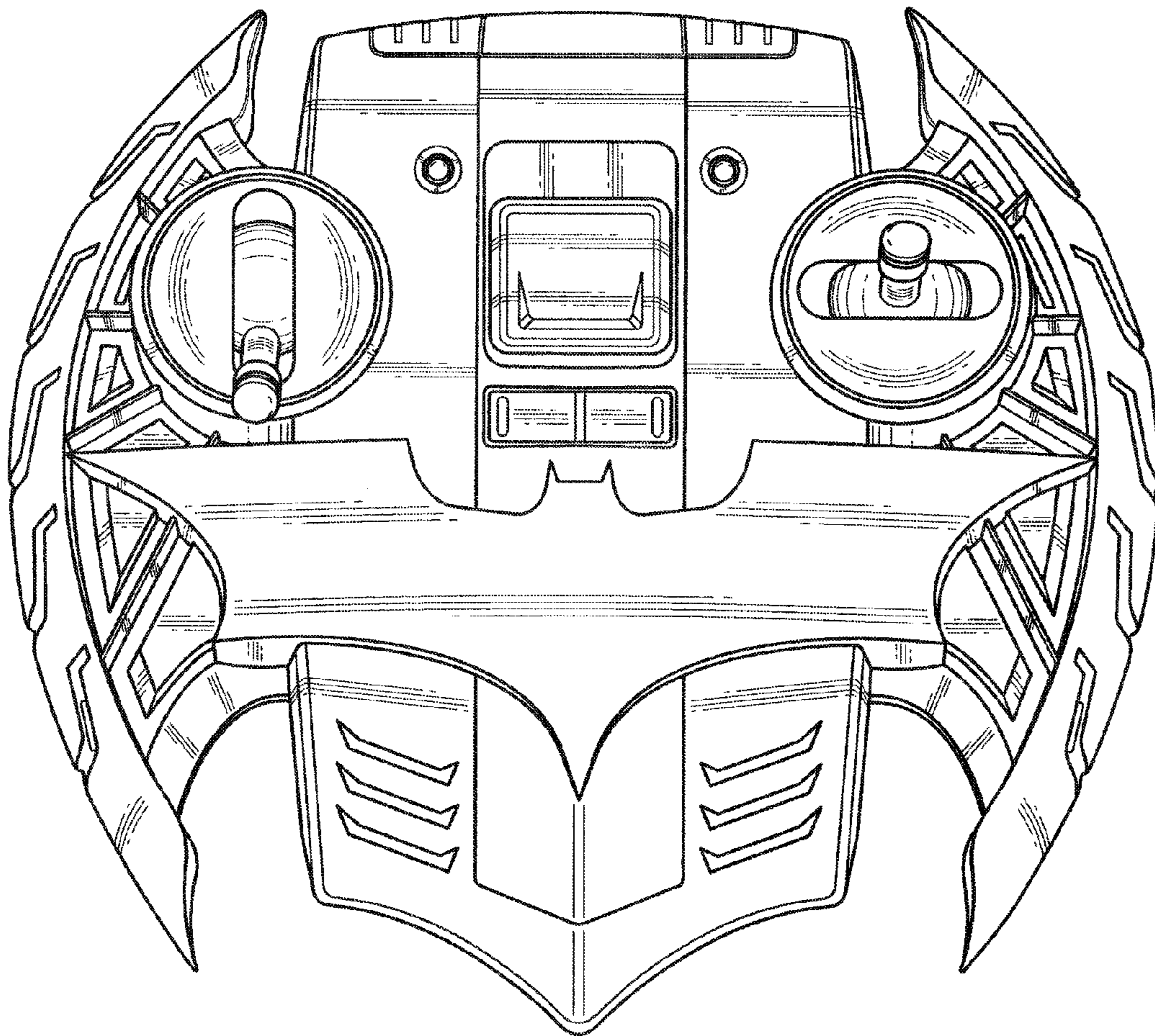


FIG. 6