

US00D631919S

(12) **United States Design Patent**
De Viveiros Ortiz

(10) **Patent No.:** **US D631,919 S**

(45) **Date of Patent:** **** Feb. 1, 2011**

(54) **POKER TABLE**

(75) Inventor: **Johnny De Viveiros Ortiz**, Escaldes Engordany (AD)

(73) Assignee: **Zitro IP, S.ar.l.**, Luxembourg (LU)

(**) Term: **14 Years**

(21) Appl. No.: **29/357,047**

(22) Filed: **Mar. 5, 2010**

(30) **Foreign Application Priority Data**
Sep. 7, 2009 (EM) 11162713-0001

(51) **LOC (9) Cl.** **21-03**

(52) **U.S. Cl.** **D21/369**

(58) **Field of Classification Search** D21/324-331,
D21/369-371, 397; 273/274, 292, 309; 463/13,
463/16-17, 20, 31, 46-47; D6/423, 480;
D14/304-307

See application file for complete search history.

(56) **References Cited**

U.S. PATENT DOCUMENTS

D512,466 S * 12/2005 White et al. D21/397

D547,386 S * 7/2007 Skotarczak et al. D21/369
D568,413 S * 5/2008 Baazov et al. D21/369
D599,414 S * 9/2009 Krise et al. D21/397

* cited by examiner

Primary Examiner—Sandra Morris

(74) *Attorney, Agent, or Firm*—Shoemaker and Mattare

(57) **CLAIM**

The ornamental design for a poker table, as shown and described.

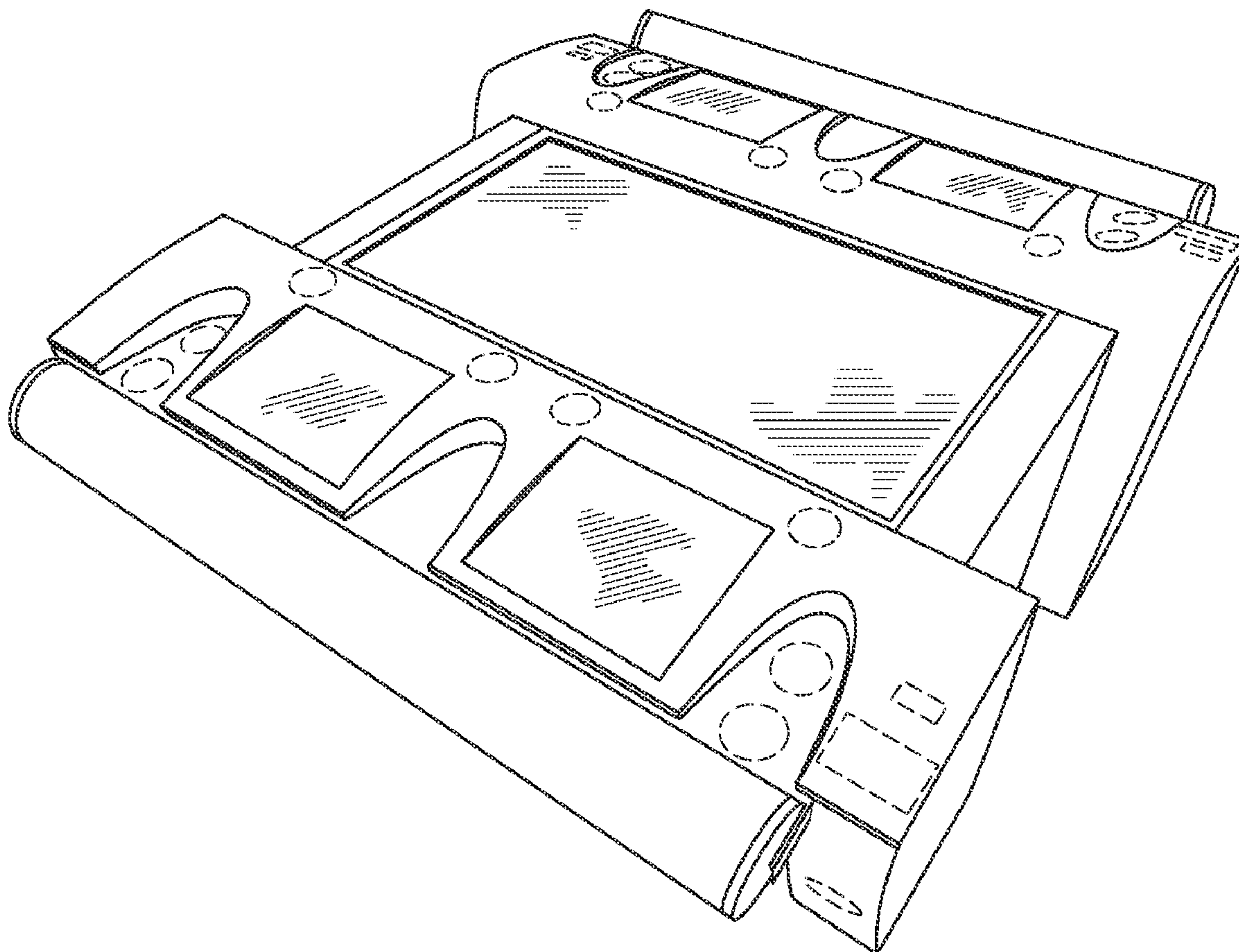
DESCRIPTION

FIG. 1 is a perspective view of a poker table, showing my new design from the front, top and right side; and,

FIG. 2 is a perspective view thereof, from the rear, top and left side.

Broken lines indicate details forming no part of the claimed design.

1 Claim, 2 Drawing Sheets



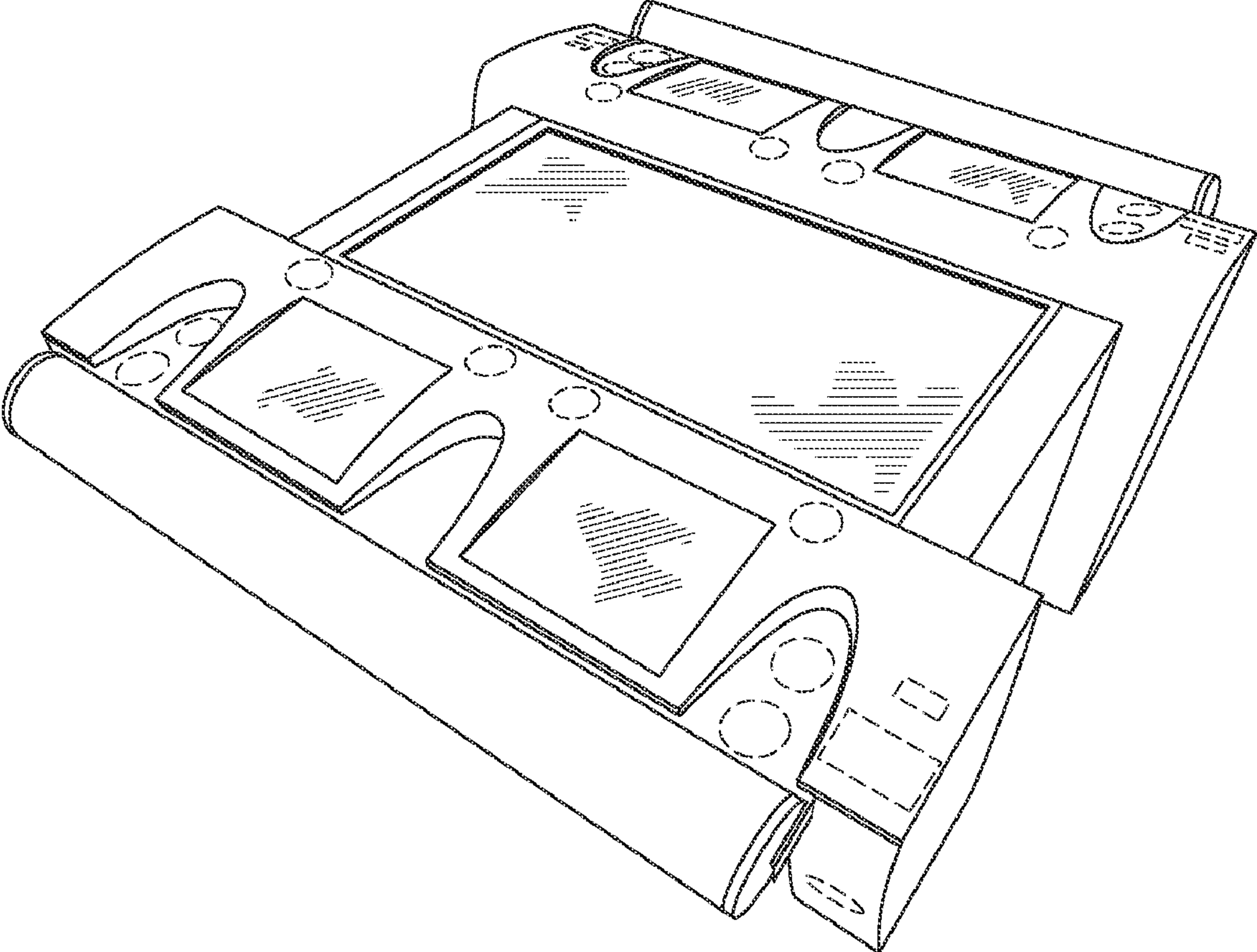


Fig. 1

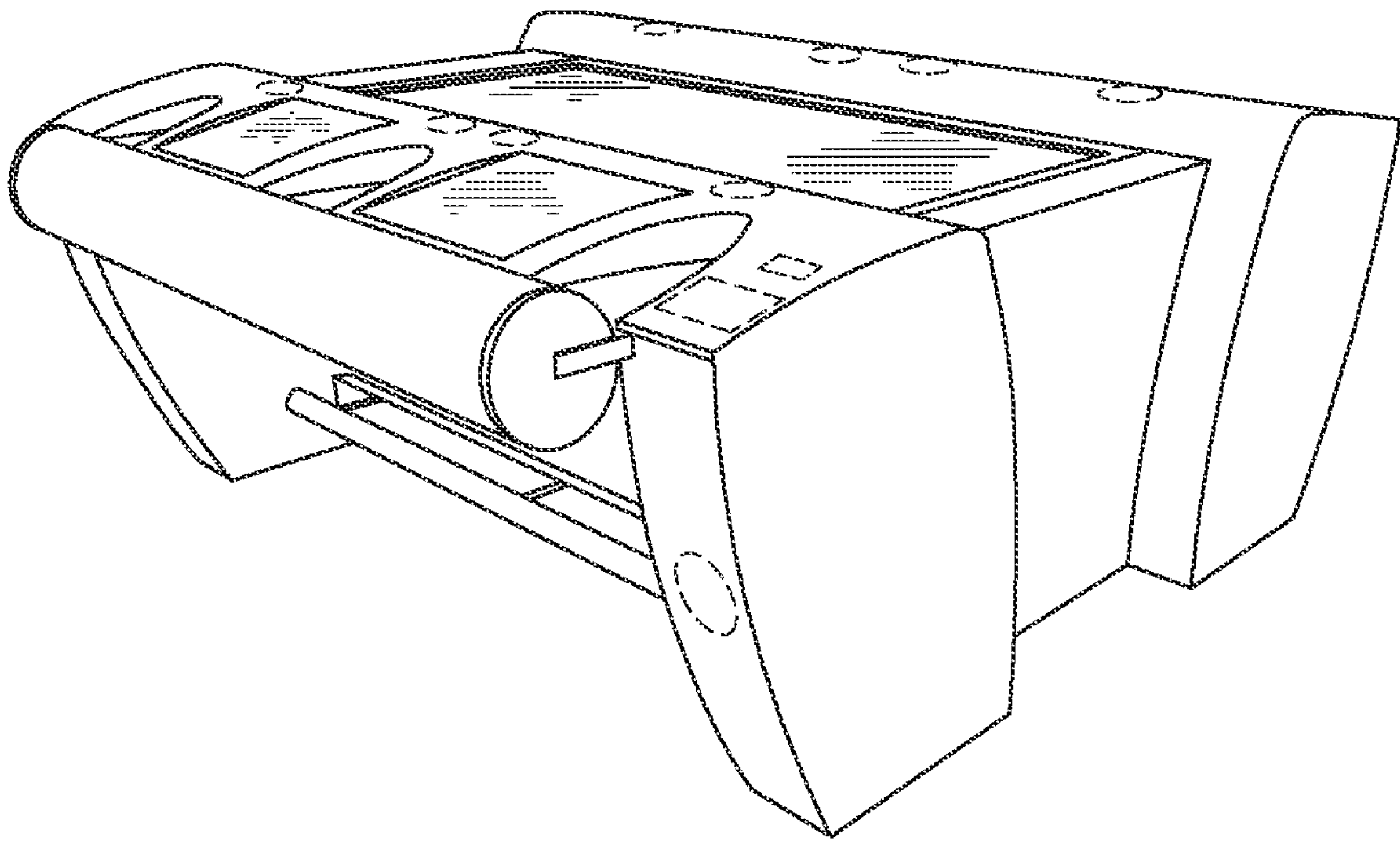


Fig. 2