



US00D631917S

(12) **United States Design Patent**
Ricci et al.

(10) **Patent No.:** **US D631,917 S**
(45) **Date of Patent:** **** Feb. 1, 2011**

(54) **SHELF SIGN**

(75) Inventors: **John Ricci**, Kleinburg (CA); **Frank Borges**, Oakville (CA)

(73) Assignee: **Dana Industries Inc.**, Etobicoke (CA)

(**) Term: **14 Years**

(21) Appl. No.: **29/357,027**

(22) Filed: **Mar. 5, 2010**

Related U.S. Application Data

(63) Continuation-in-part of application No. 29/344,076, filed on Sep. 23, 2009, which is a continuation-in-part of application No. 29/334,246, filed on Mar. 23, 2009.

(51) **LOC (9) Cl.** **20-03**

(52) **U.S. Cl.** **D20/10**

(58) **Field of Classification Search** D20/10, D20/12, 17-19, 22, 29, 39-43, 99; 40/124.01-124.06, 40/124.08, 124.09, 124.14, 124.19, 124.191, 40/299.01, 538-542, 584, 591, 595, 600, 40/617, 638, 642.02, 649, 650, 652, 661.03, 40/661.09, 672; D10/104, 109; D19/1, 34; 206/449; 211/86.01; 229/92.1; 283/56, 283/71, 81; 362/812; 428/119-121, 130

See application file for complete search history.

(56) **References Cited**

U.S. PATENT DOCUMENTS

D79,119 S * 7/1929 Rau D20/29
(Continued)

Primary Examiner—Mary Ann Calabrese

(74) *Attorney, Agent, or Firm*—Santosh K. Chari; Blake, Cassels & Graydon LLP

(57) **CLAIM**

The ornamental design for a shelf sign, as shown and described.

DESCRIPTION

FIG. 1 is a rear, left side perspective view of the design.

FIG. 2 is a front, left side perspective view of the design of FIG. 1.

FIG. 3 is a front, right side perspective view of the design of FIG. 1.

FIG. 4 is a rear, right side perspective view of the design of FIG. 1.

FIG. 5 is a right side view of the design of FIG. 1.

FIG. 6 is a rear, left side perspective view of another embodiment of the design.

FIG. 7 is a front, left side perspective view of the design of FIG. 6.

FIG. 8 is a front, right side perspective view of the design of FIG. 6.

FIG. 9 is a rear, left side perspective view of another embodiment of the design.

FIG. 10 is a front, left side perspective view of another embodiment of the design of FIG. 9.

FIG. 11 is a front, right side perspective view of the design of FIG. 9.

FIG. 12 is a front view of the design of FIG. 9.

FIG. 13 is a rear, left side perspective view of the design.

FIG. 14 is a front, left side perspective view of the design of FIG. 13.

FIG. 15 is a front, right side perspective view of the design of FIG. 13.

FIG. 16 is a rear, right side perspective view of the design of FIG. 13.

FIG. 17 is a right side view of the design of FIG. 13.

FIG. 18 is a rear, left side perspective view of another embodiment of the design.

FIG. 19 is a front, left side perspective view of the design of FIG. 18.

FIG. 20 is a front, right side perspective view of the design of FIG. 18.

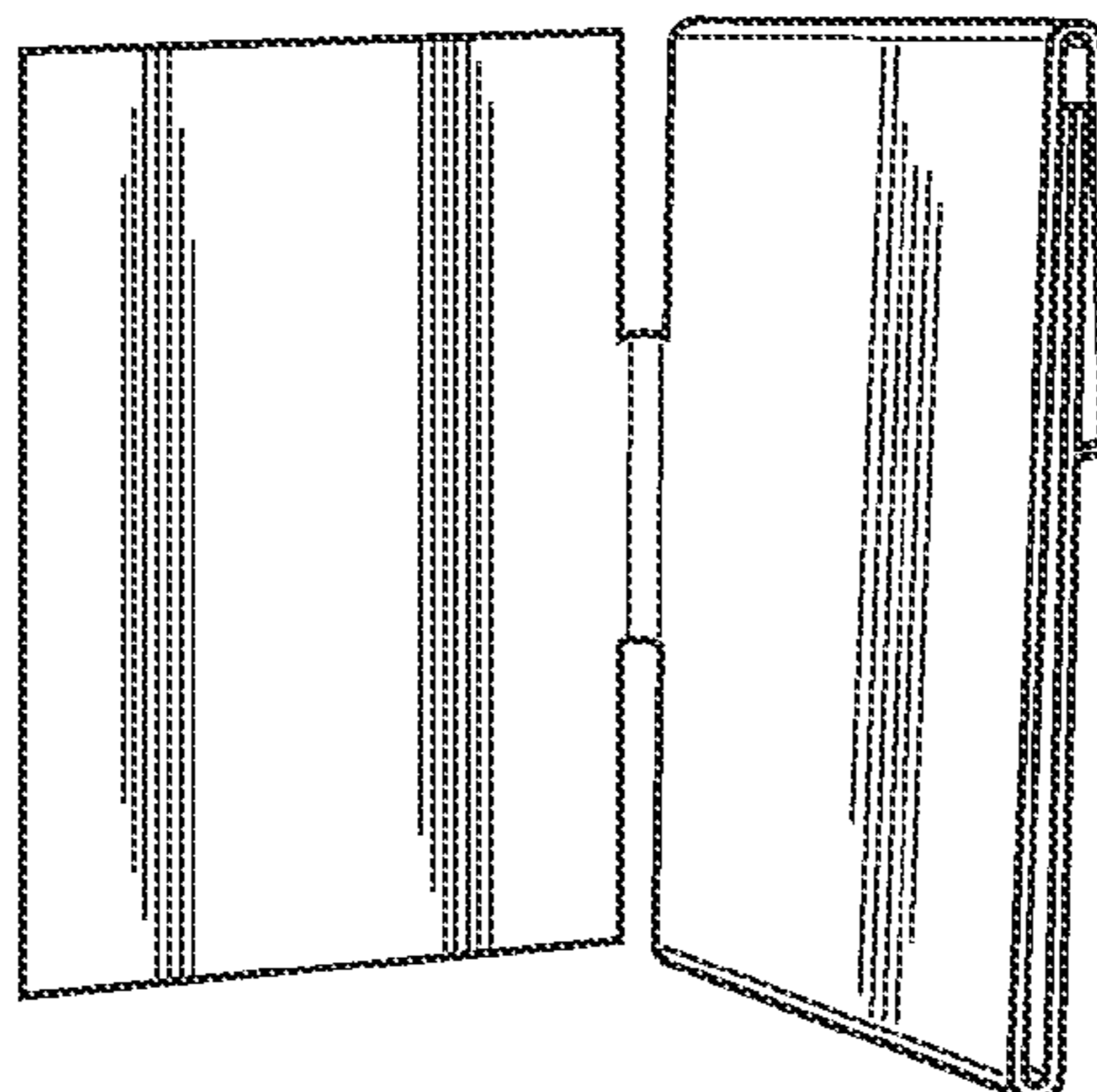
FIG. 21 is a rear, left side perspective view of another embodiment of the design.

FIG. 22 is a front, left side perspective view of the design of FIG. 21.

FIG. 23 is a front, right side perspective view of the design of FIG. 21; and,

FIG. 24 is a front view of the design of FIG. 21.

1 Claim, 8 Drawing Sheets



US D631,917 S

Page 2

U.S. PATENT DOCUMENTS

3,077,686	A *	2/1963	Montalto	40/649	6,701,653	B2 *	3/2004	Chess et al.	40/638
4,152,851	A *	5/1979	Goldstein	40/661.03	D496,397	S *	9/2004	Melnyk	D19/34
4,645,701	A *	2/1987	Zarrow	428/120	6,817,127	B2 *	11/2004	Gottlieb et al.	40/661.03
4,829,689	A *	5/1989	Alshooler	40/617	D501,668	S *	2/2005	Kayoum	D20/29
5,344,250	A	9/1994	Kringel et al.		6,981,343	B2	1/2006	Rawlings et al.	
5,695,061	A *	12/1997	Stompe	206/449	7,009,524	B2	3/2006	Capurso et al.	
5,832,644	A	11/1998	Mason		7,401,430	B2	7/2008	Lindquist et al.	
5,848,698	A *	12/1998	Stompe	206/449	D608,395	S *	1/2010	Engelby et al.	D20/40
6,354,546	B1	3/2002	Mueller		2004/0211820	A1 *	10/2004	Berger	229/92.1
6,581,312	B2	6/2003	Padiak et al.						

* cited by examiner

Fig. 1

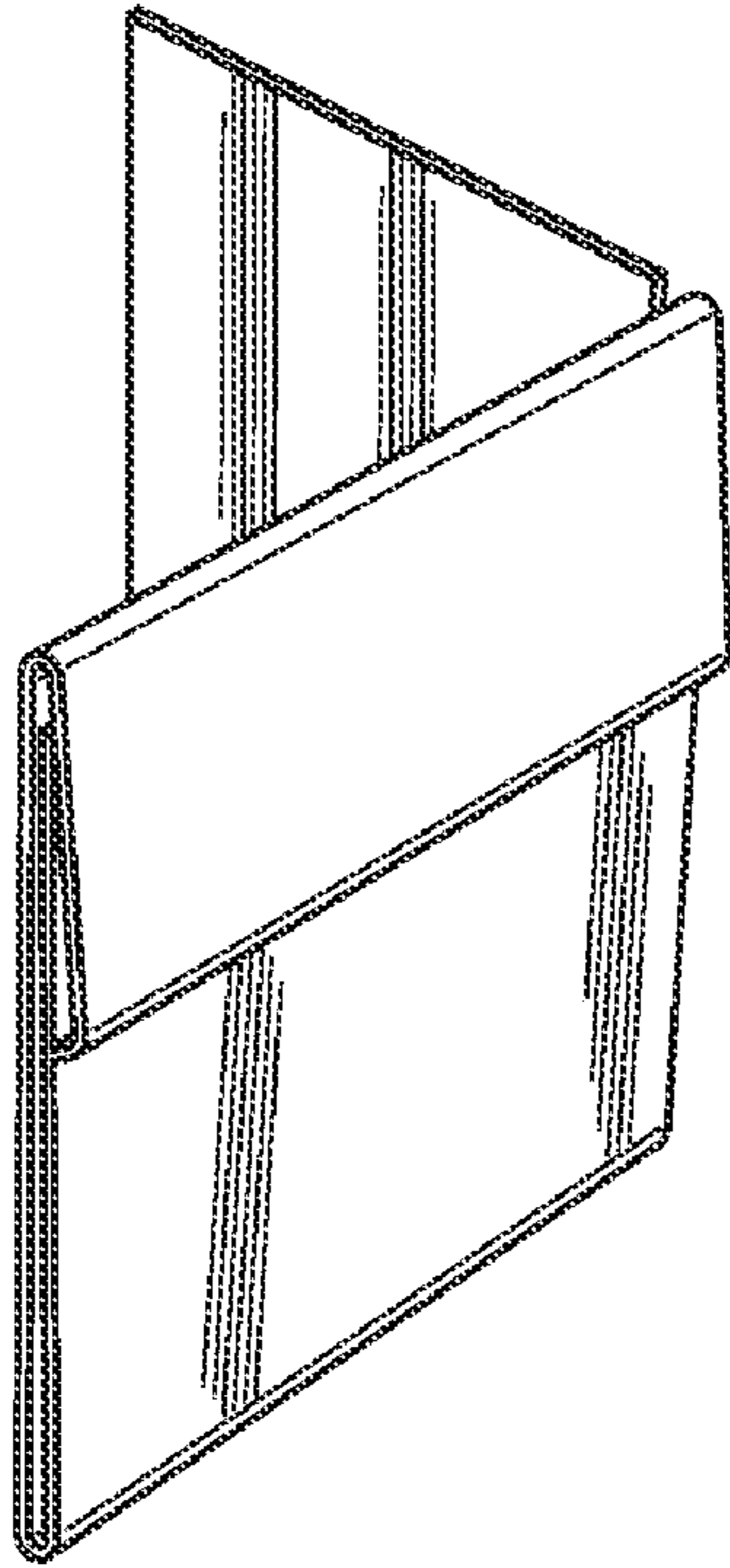


Fig. 2

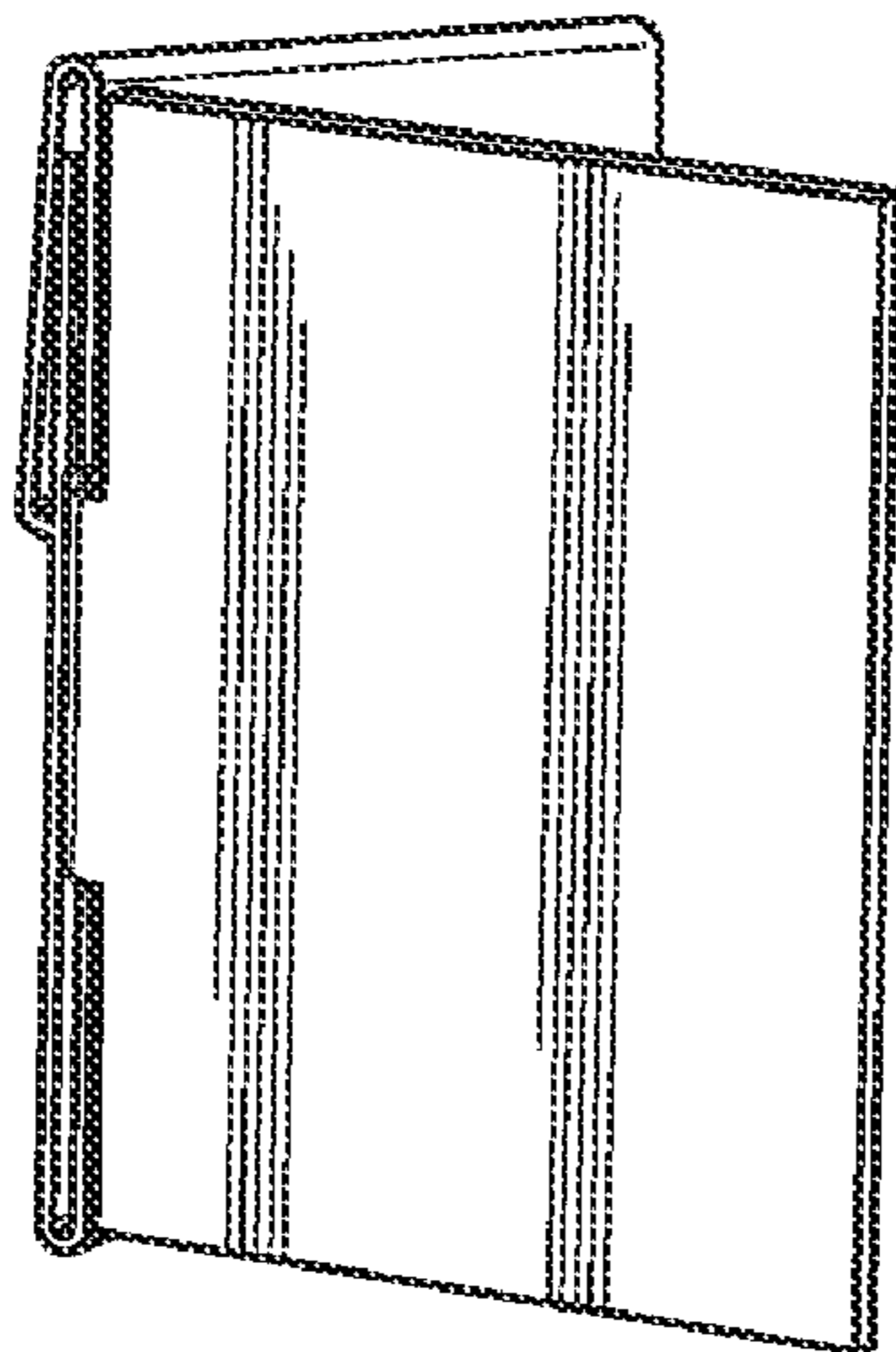
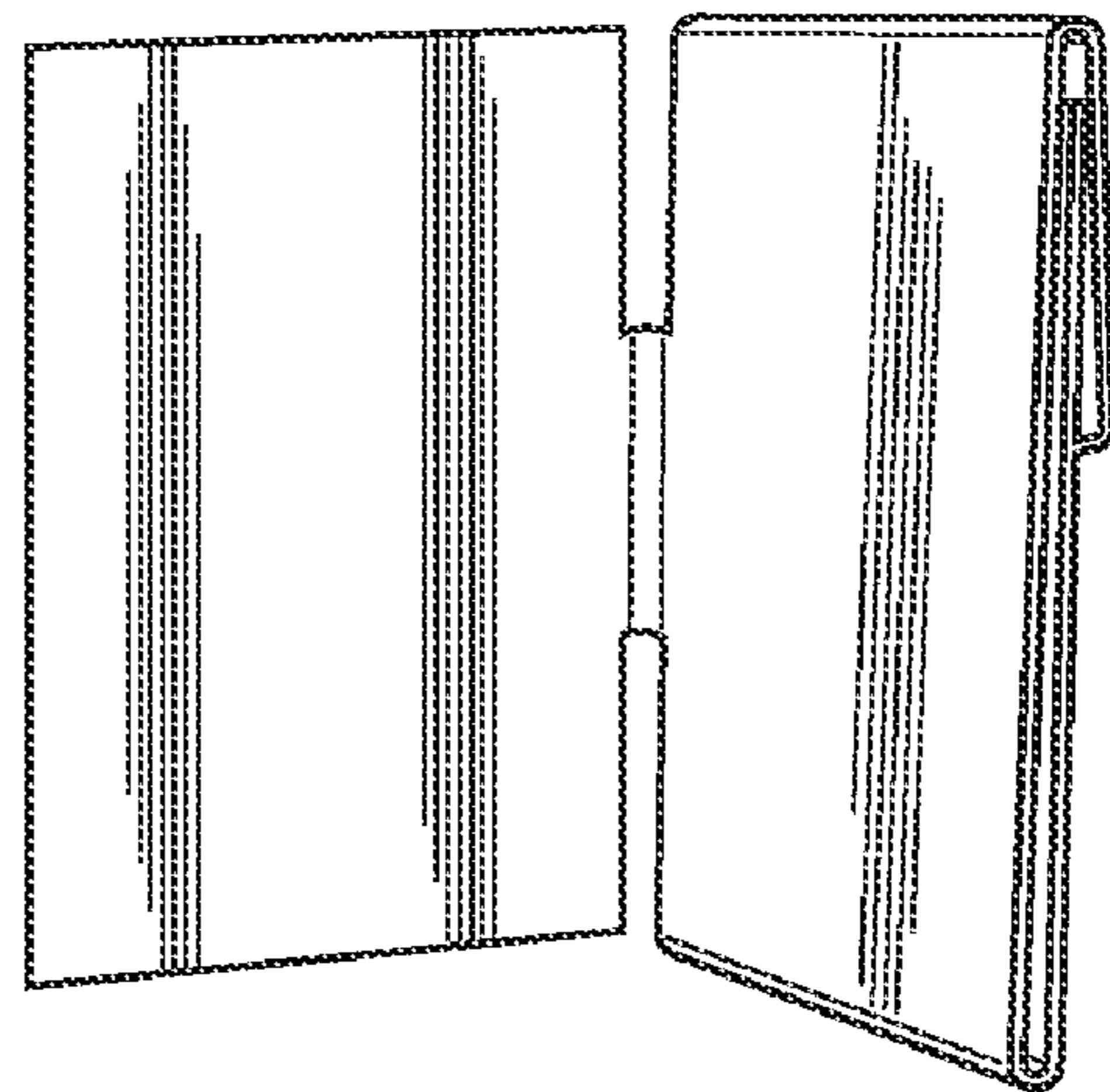


Fig. 3

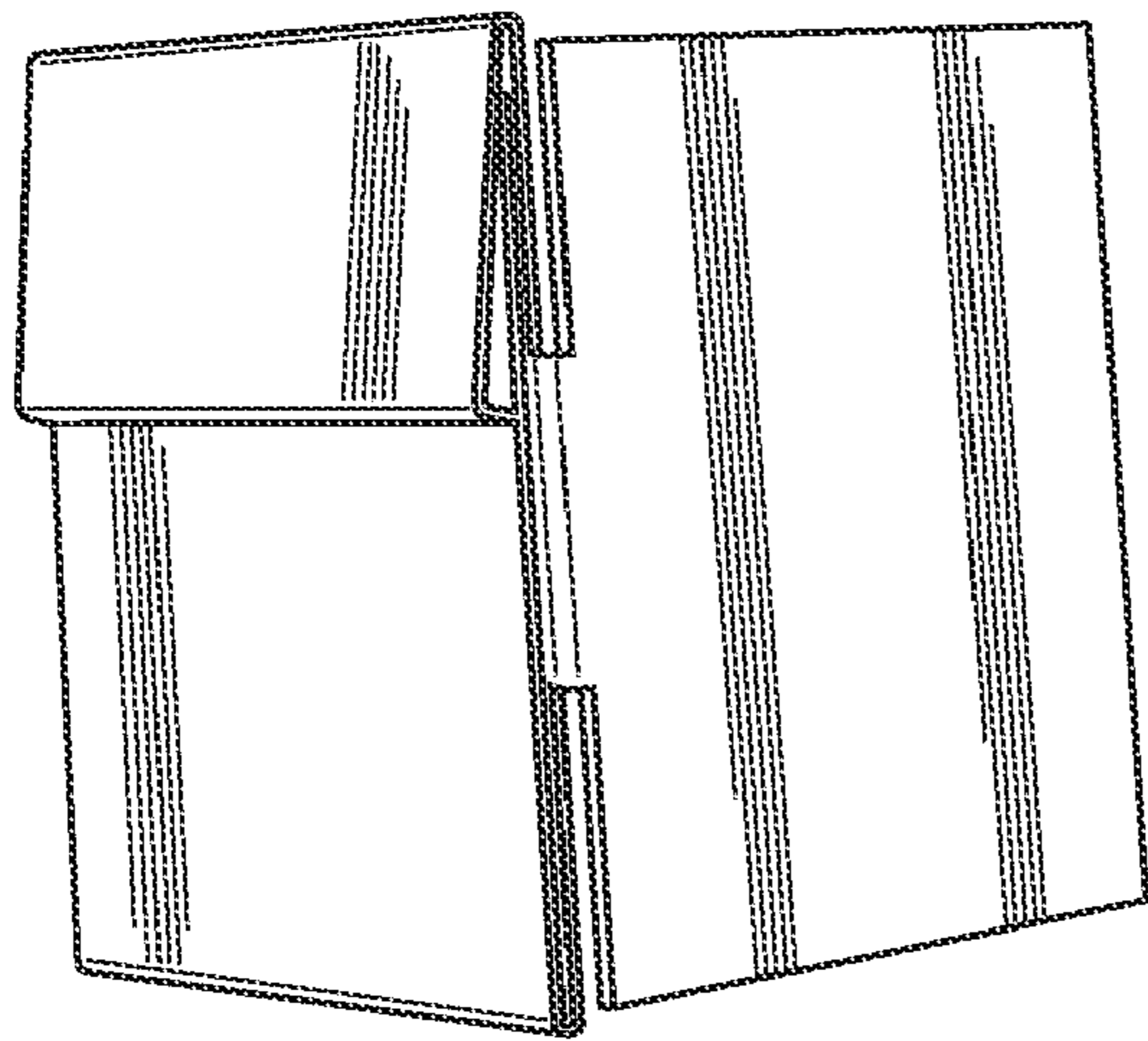


Fig. 4

Fig. 5

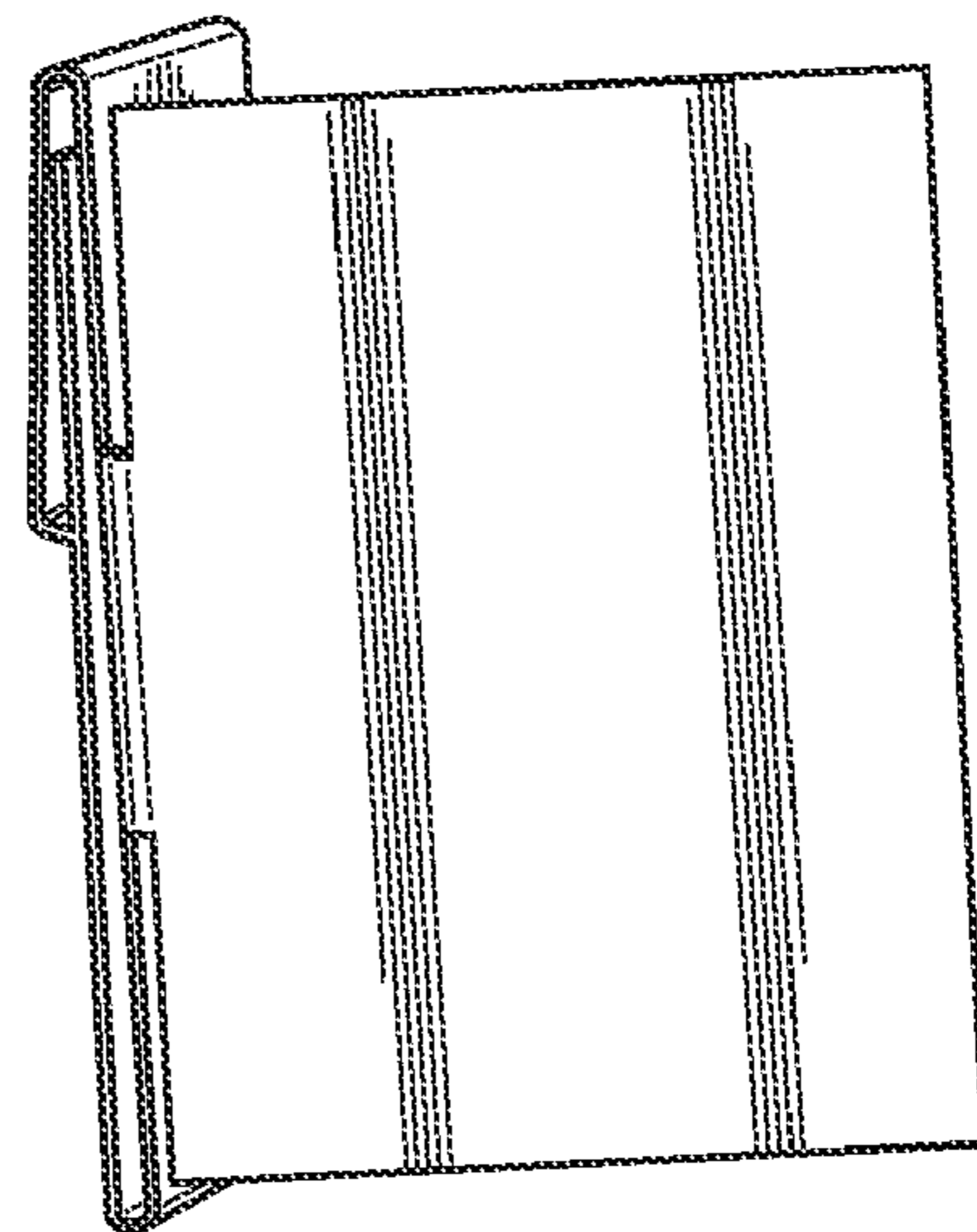


Fig.6

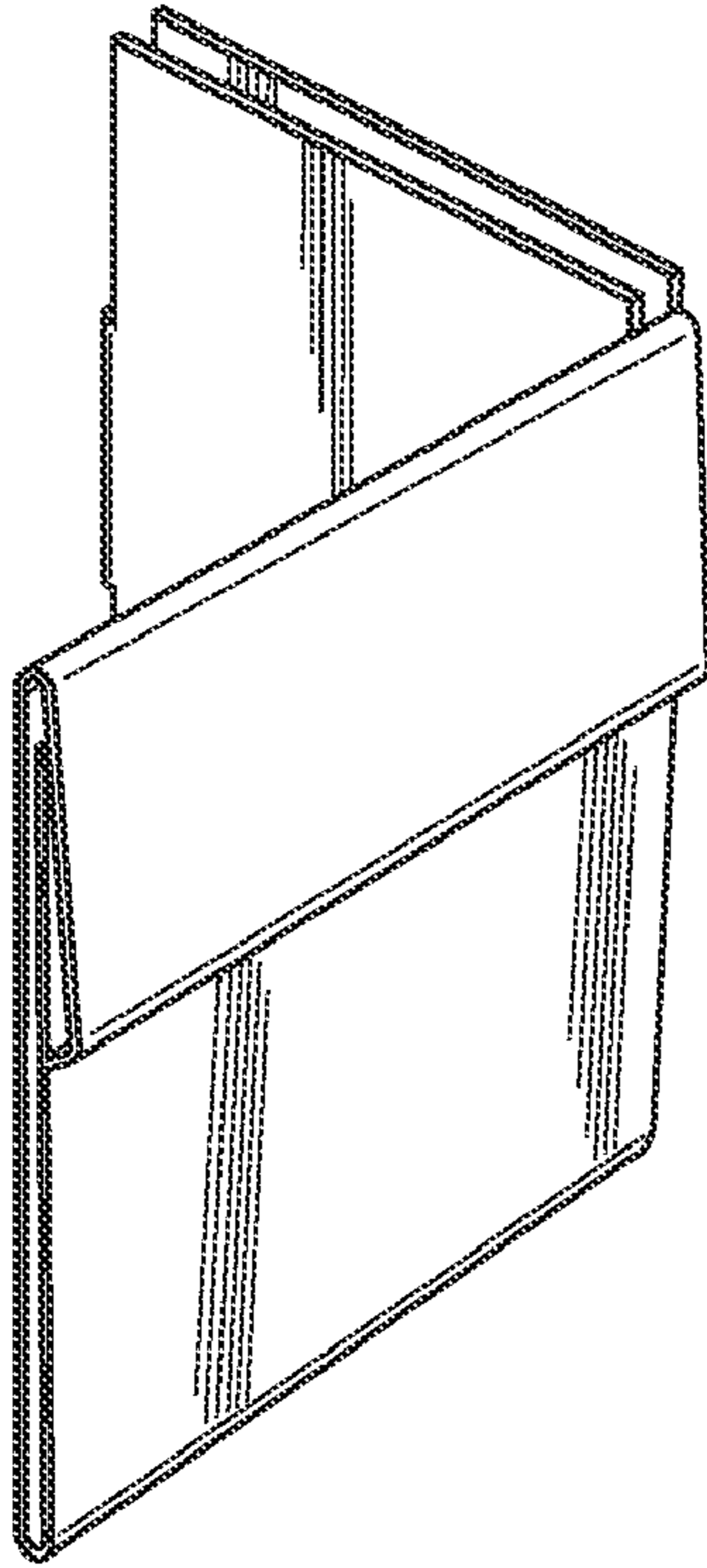


Fig.7

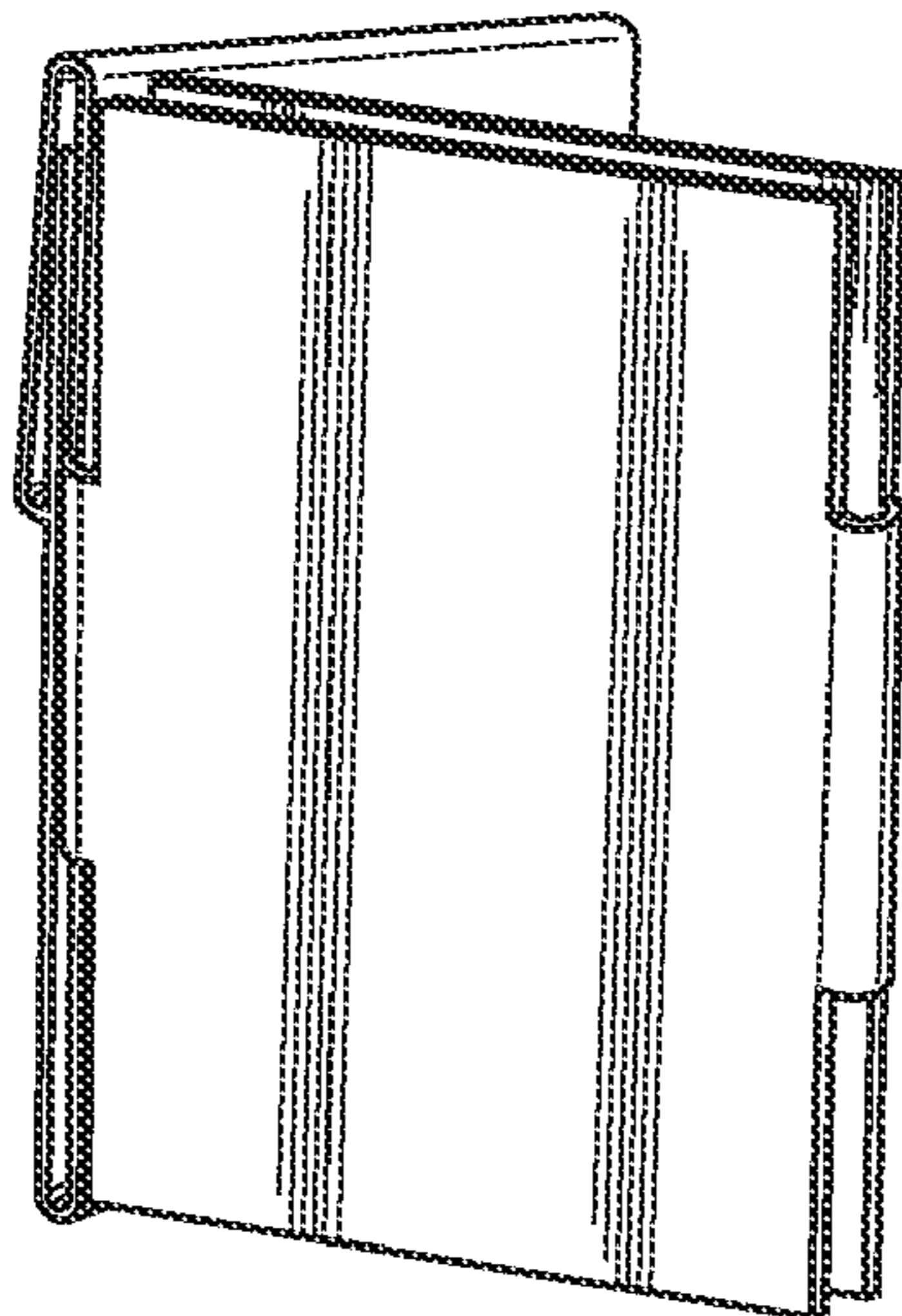
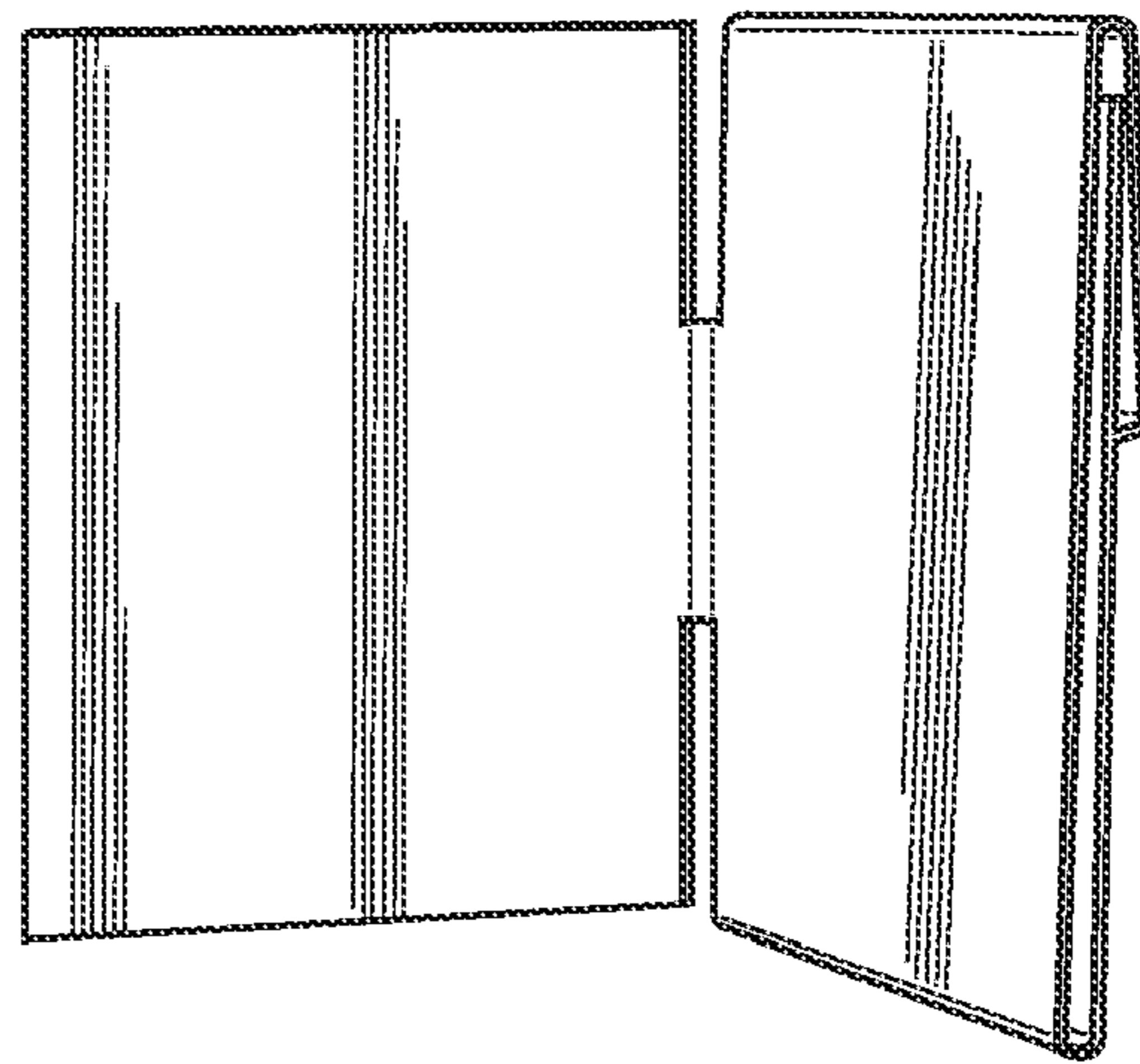


Fig.8

Fig. 9

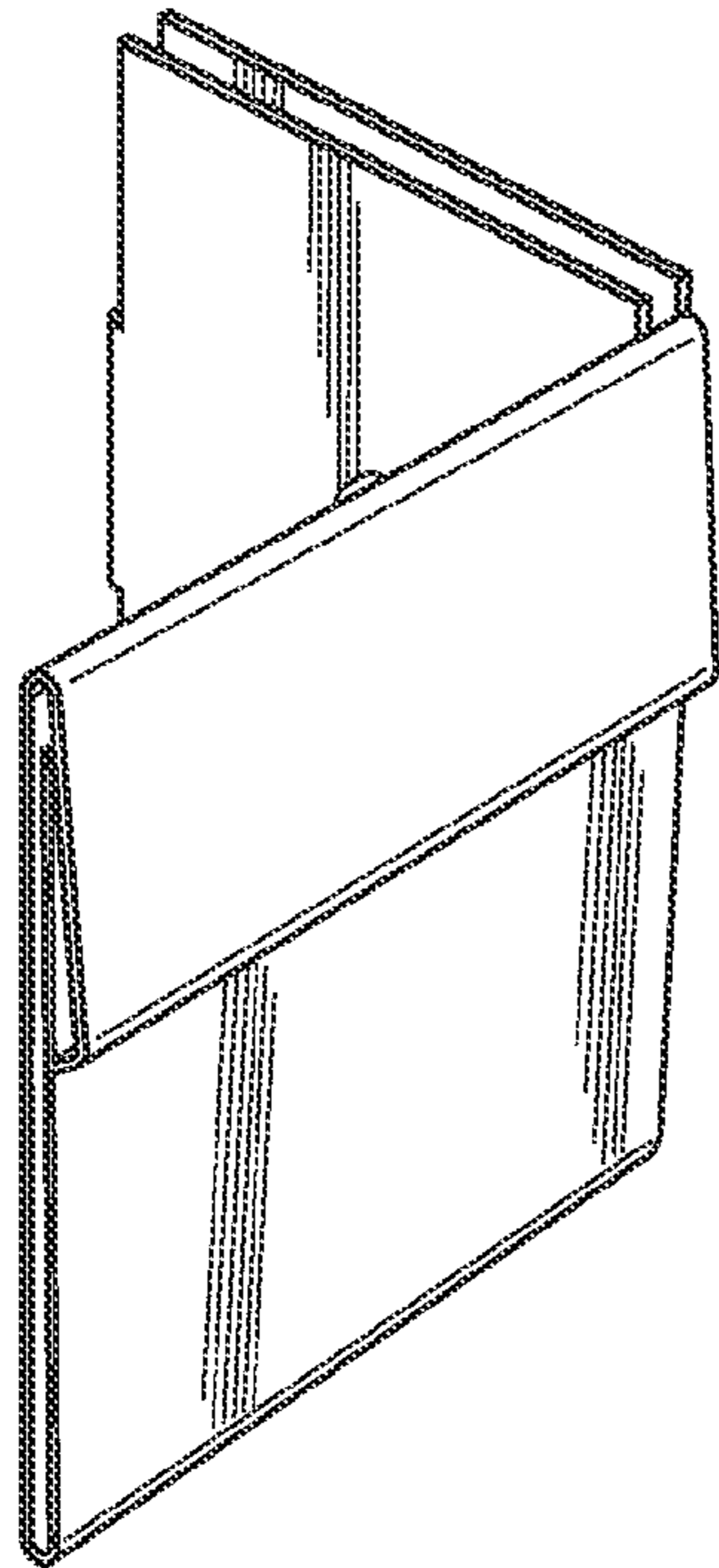


Fig. 10

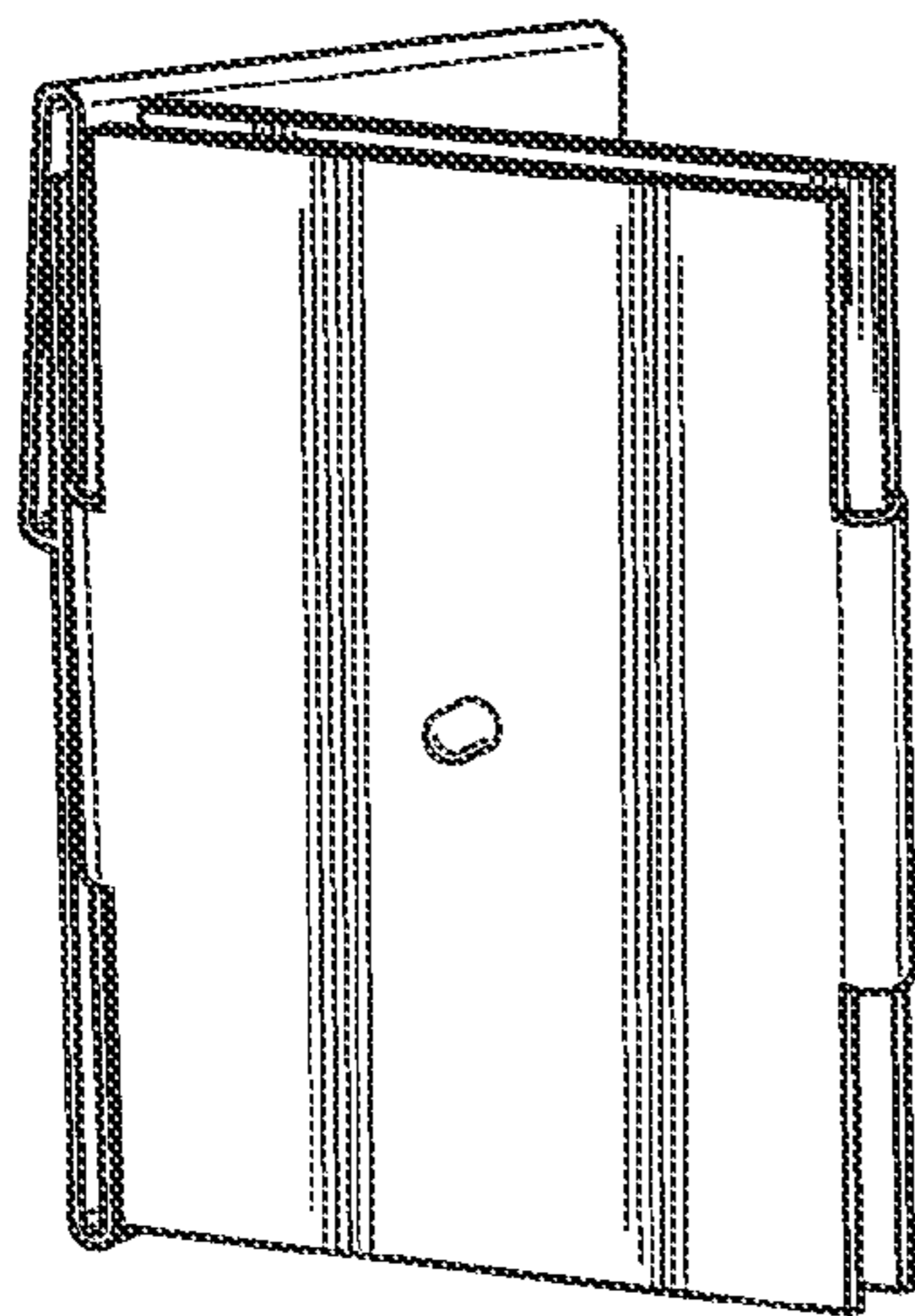
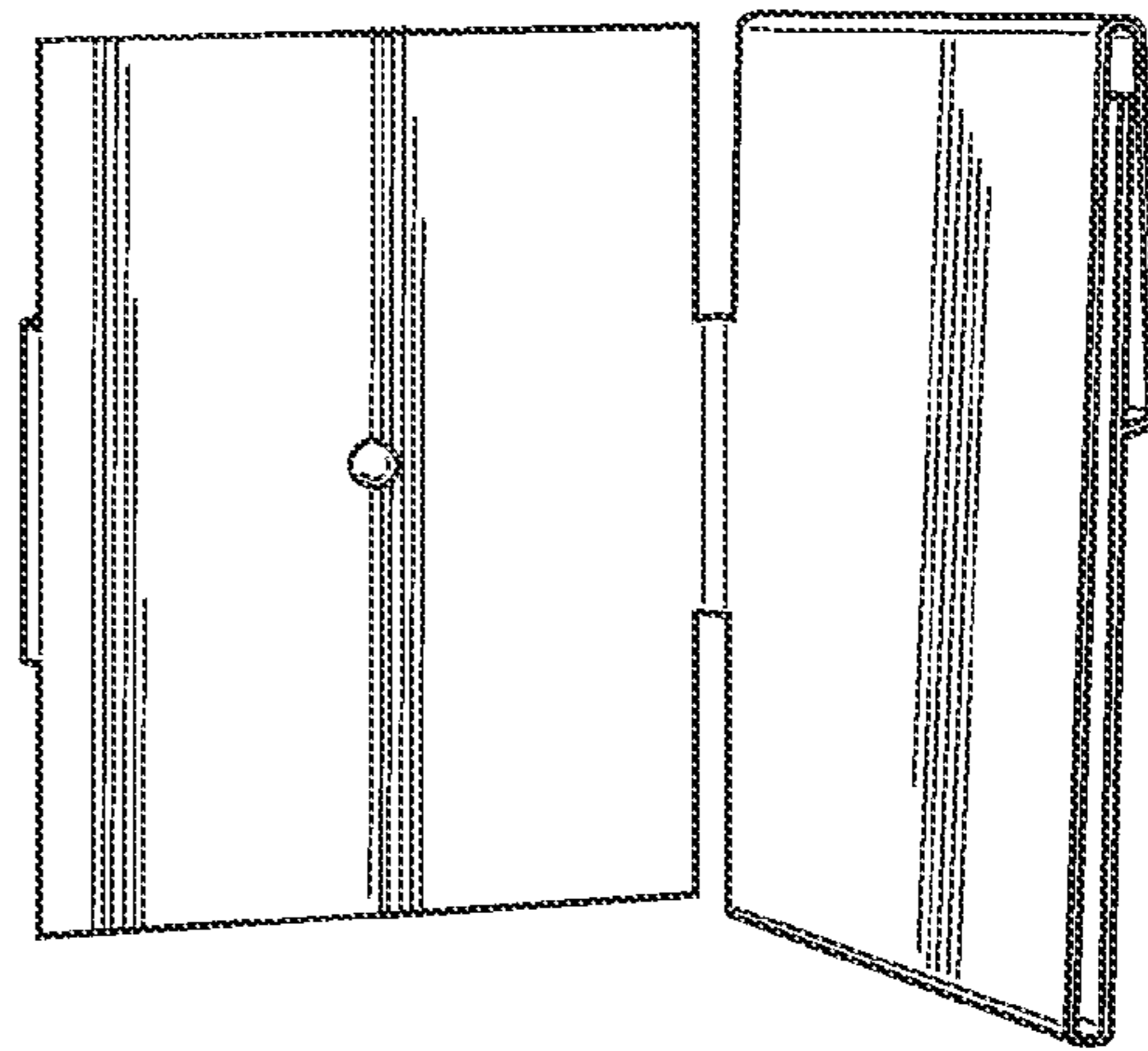


Fig. 11

Fig. 12

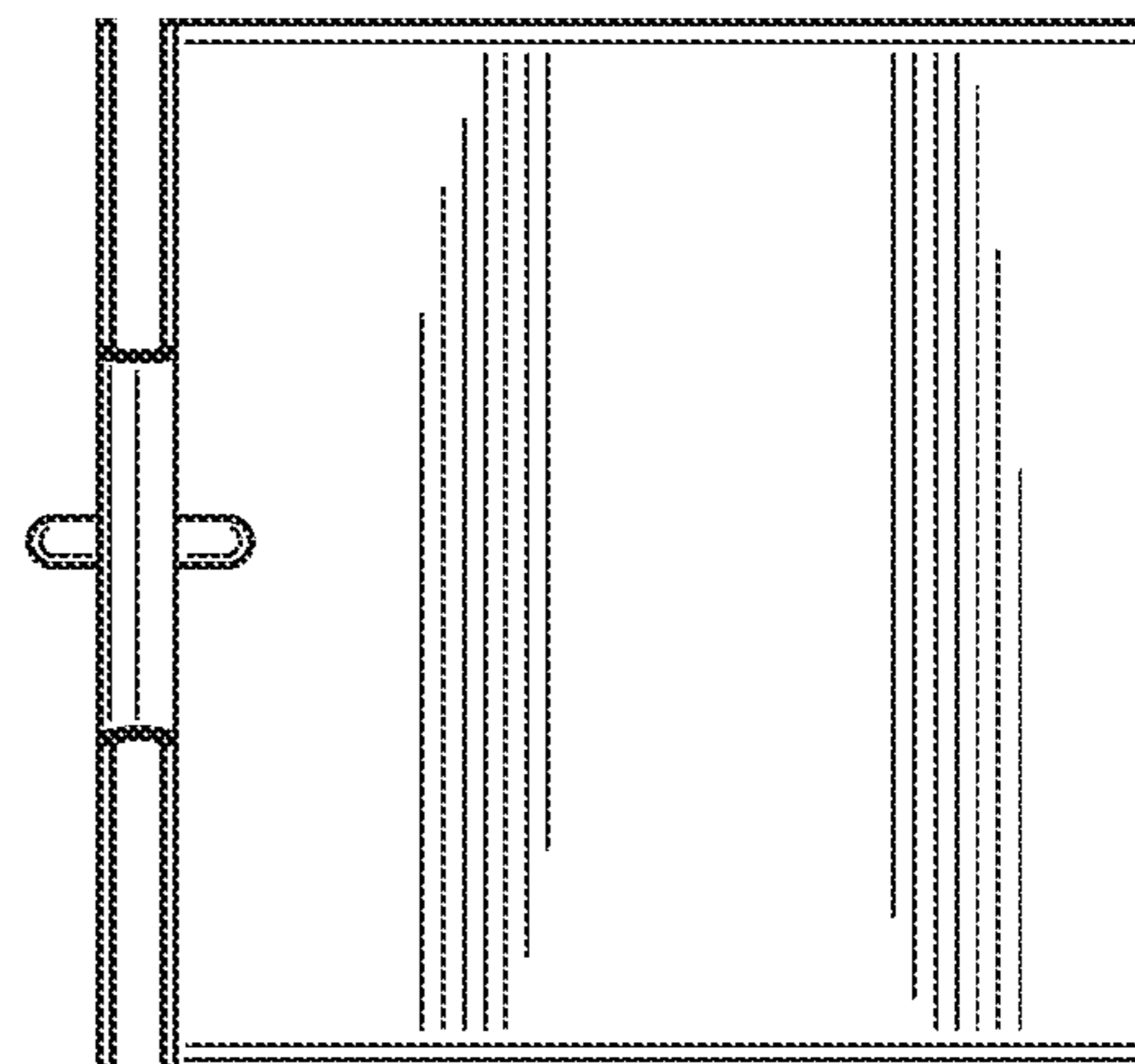


Fig.13

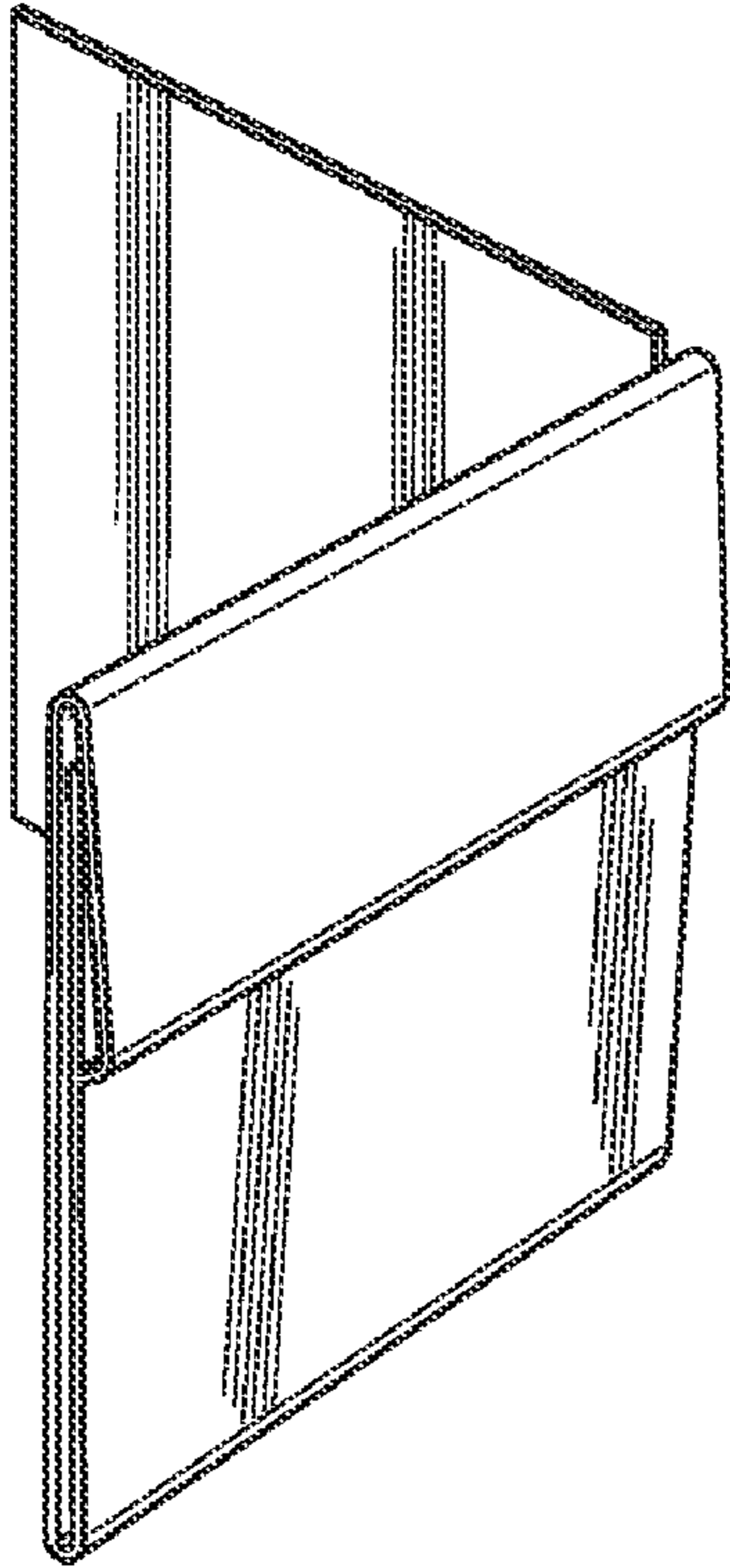


Fig.14

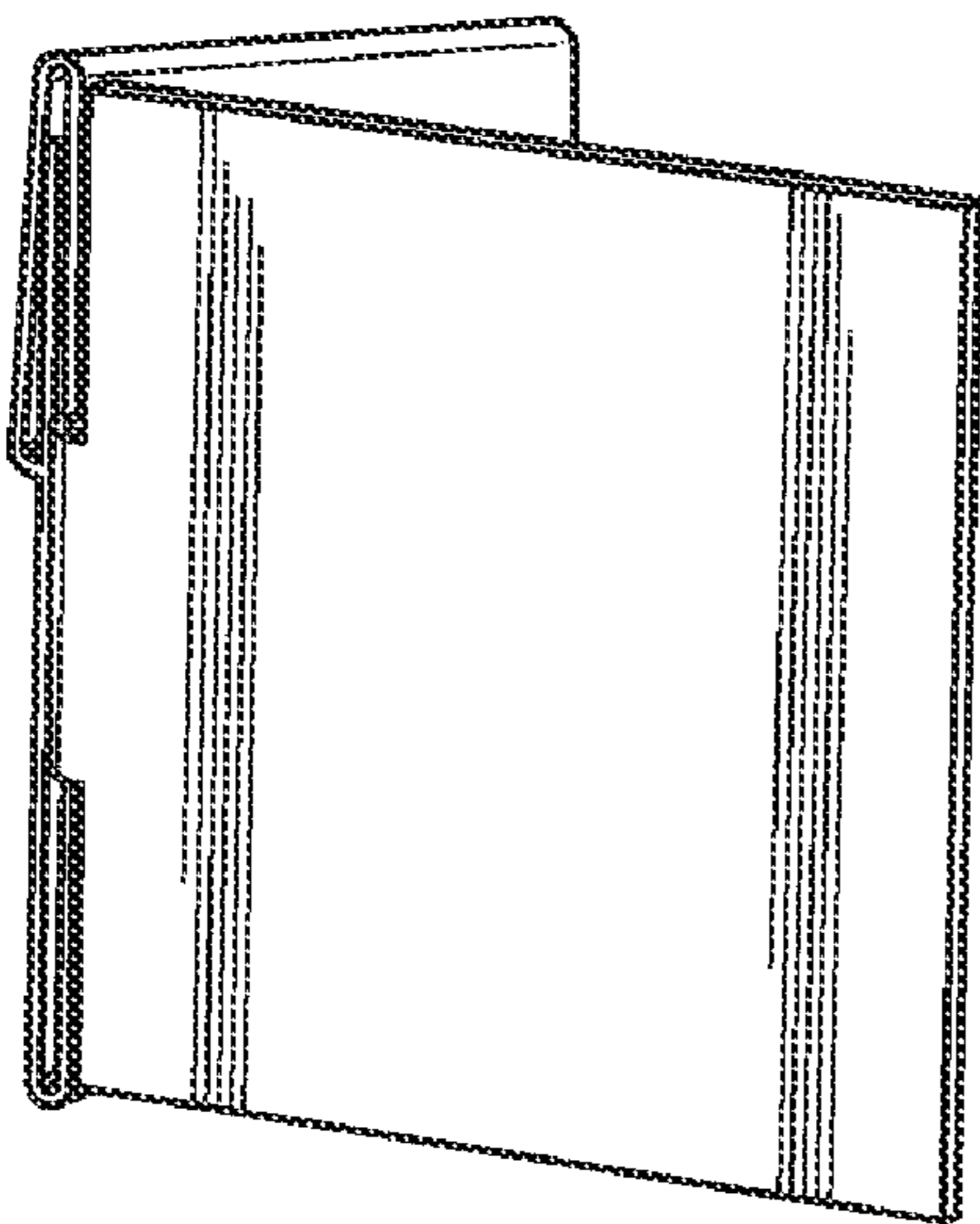
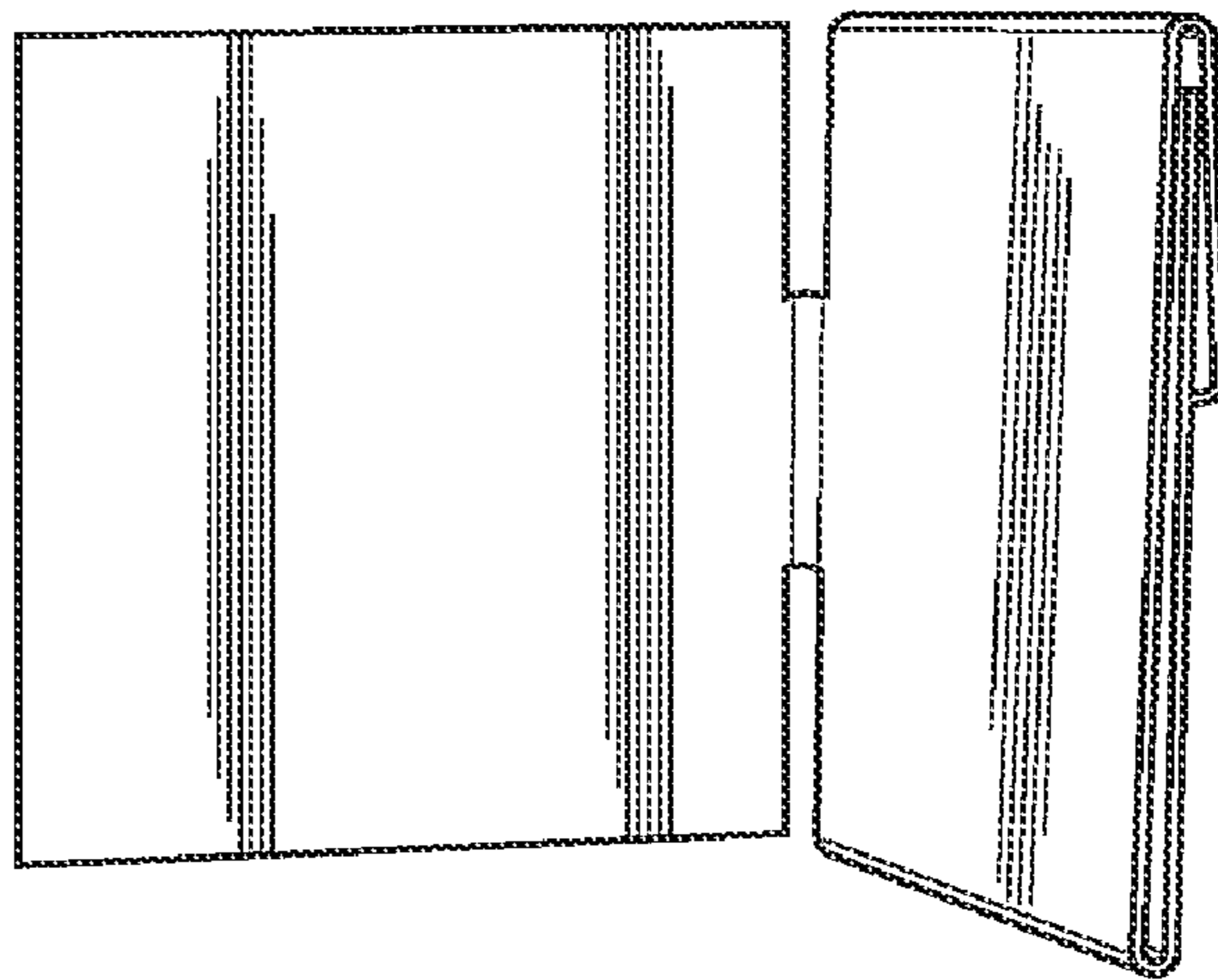


Fig.15

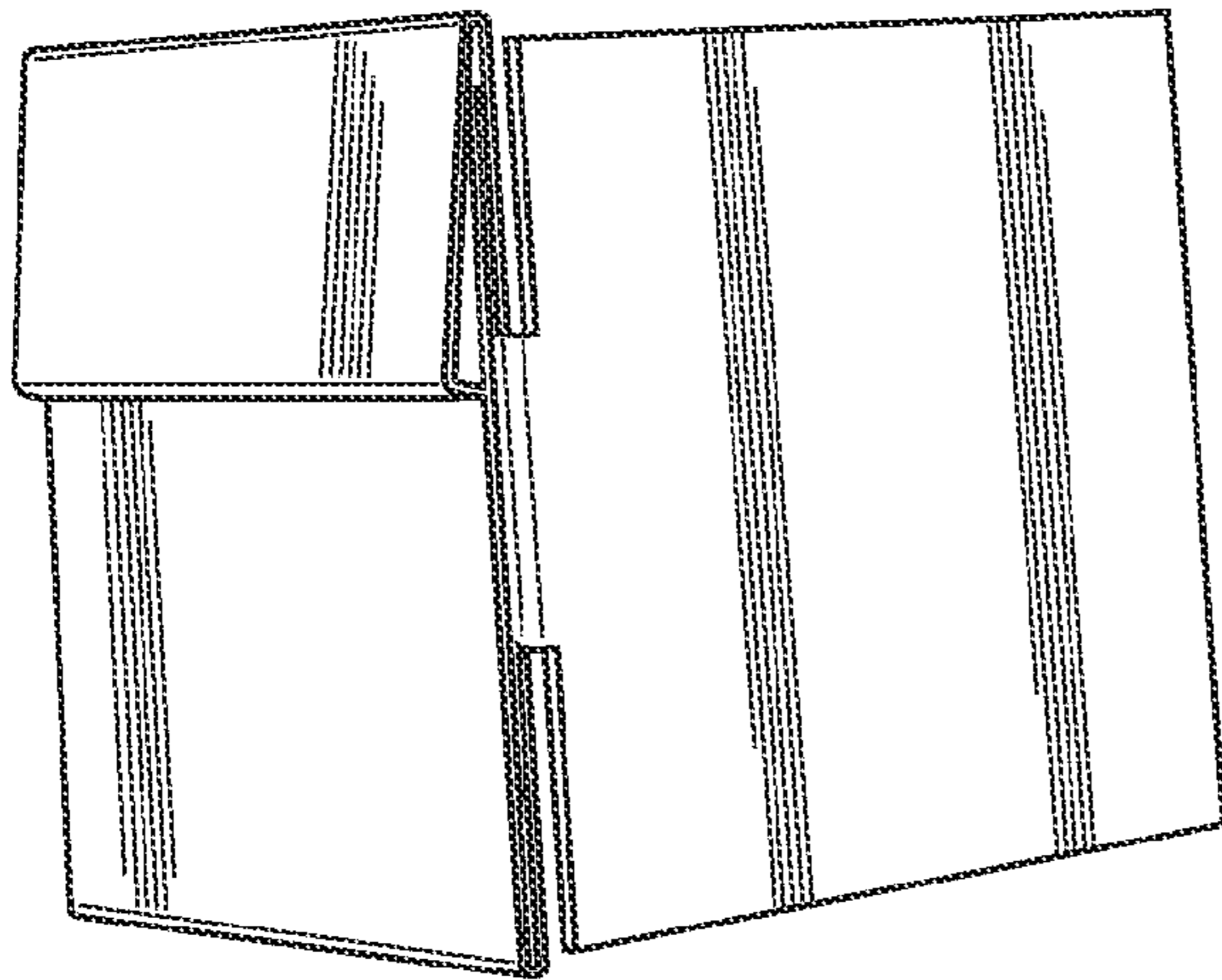


Fig. 16

Fig. 17

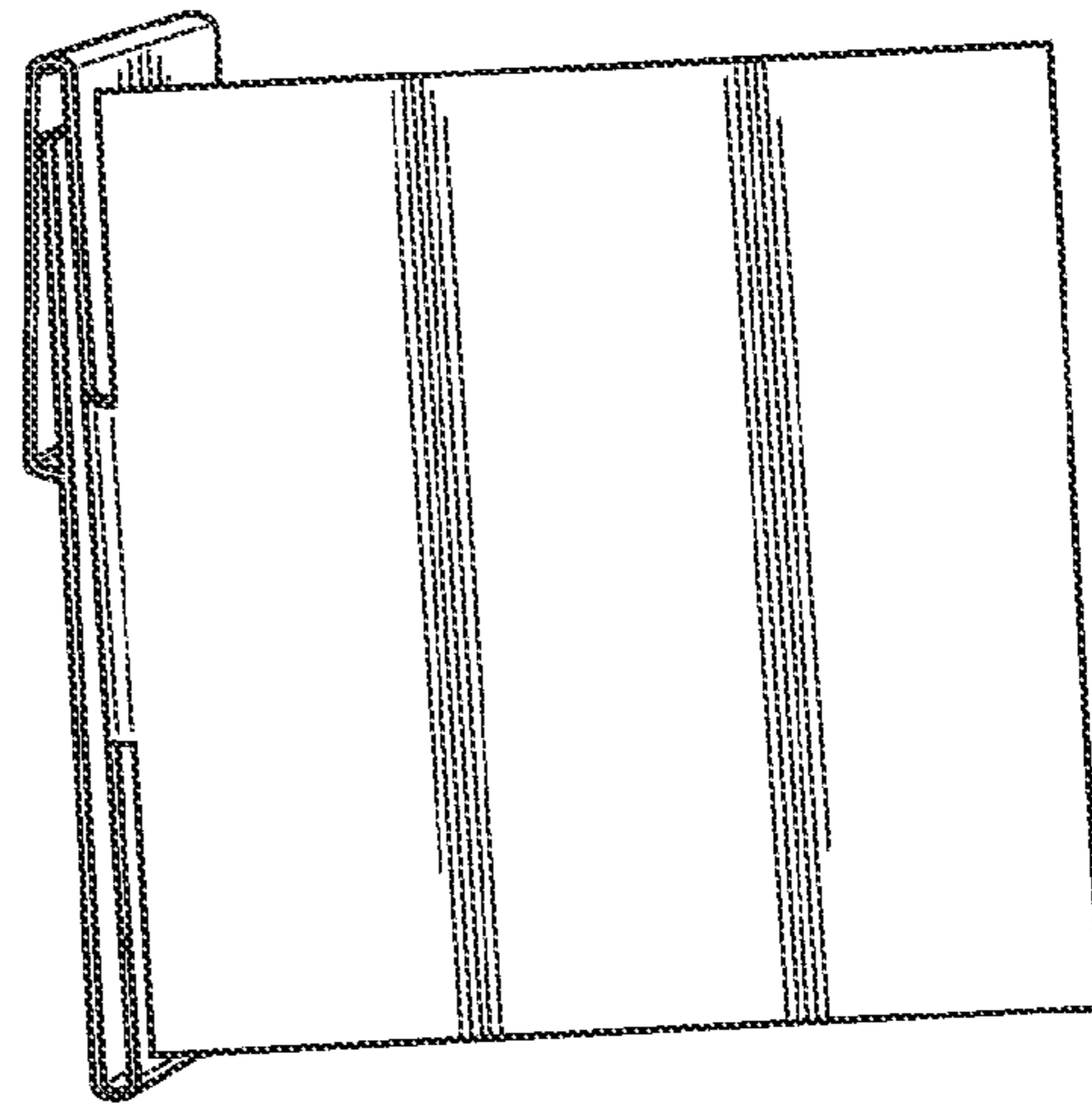


Fig.18

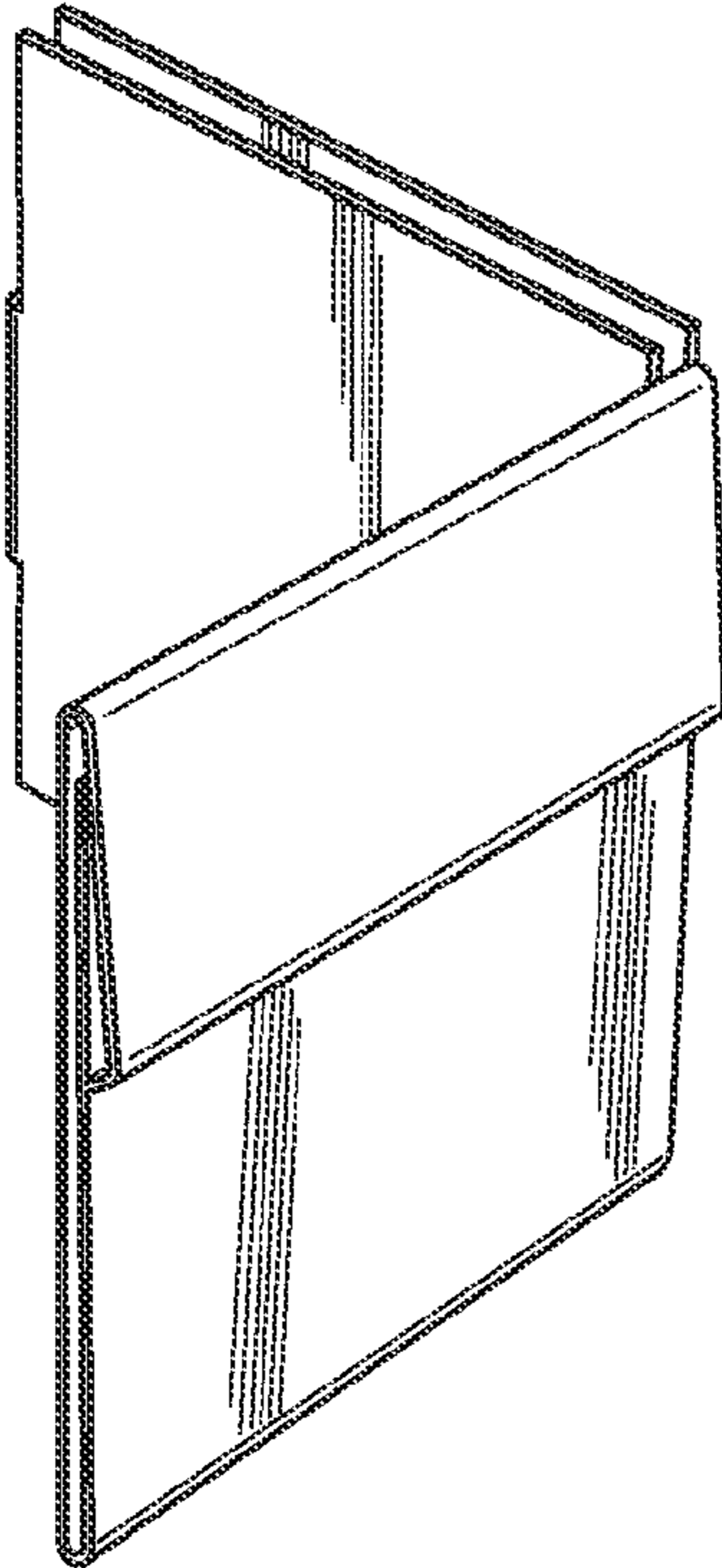


Fig.19

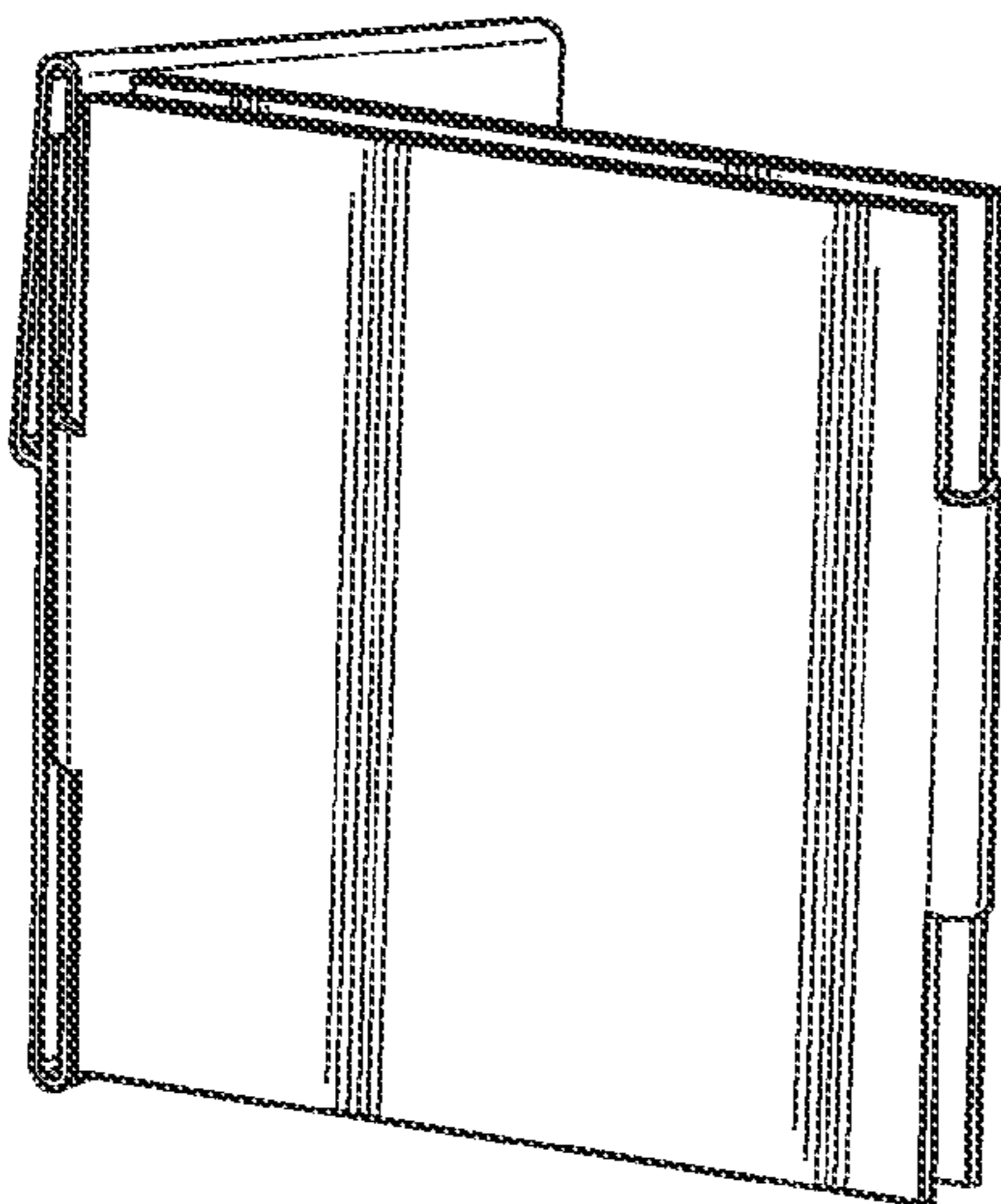
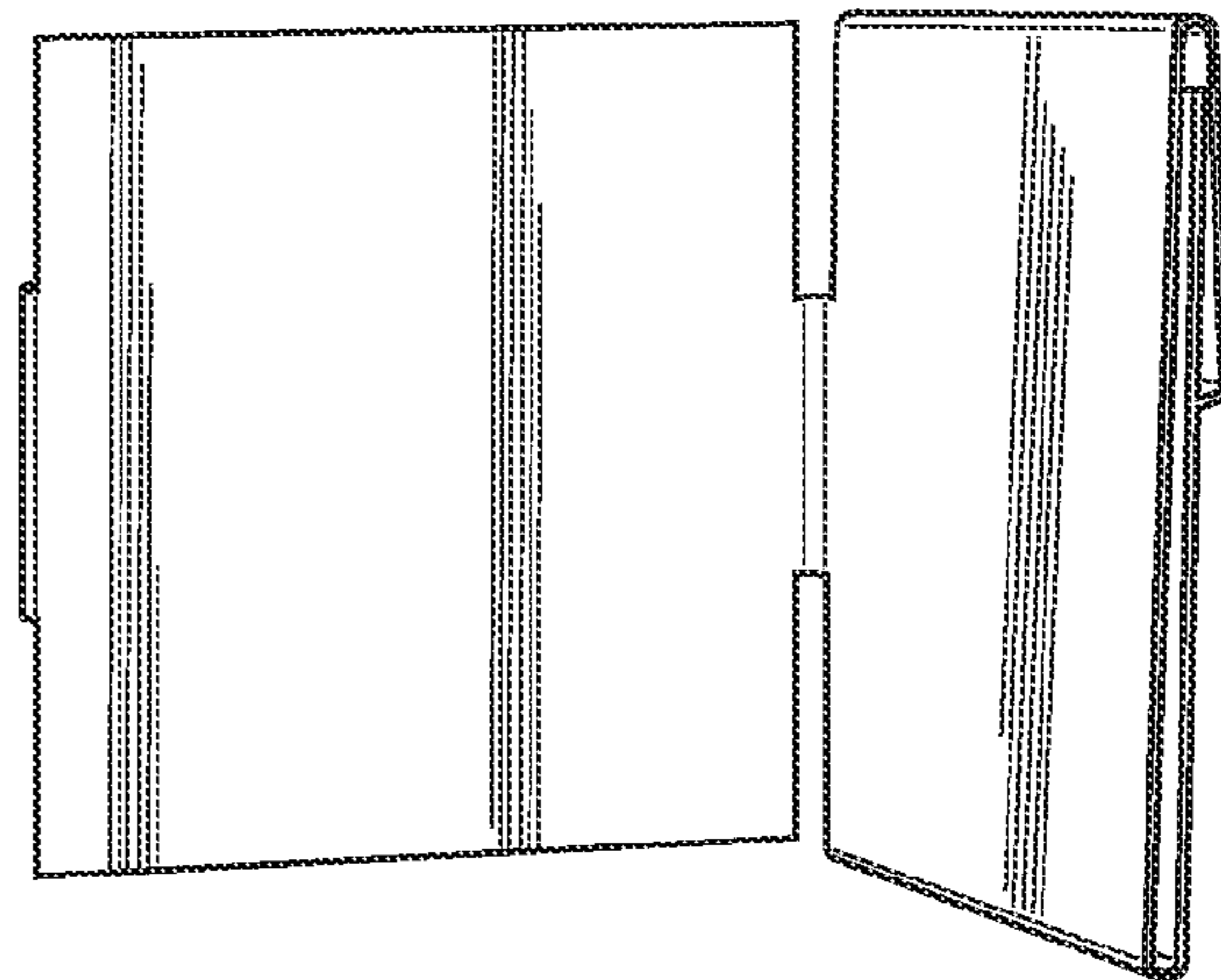


Fig.20

Fig.21

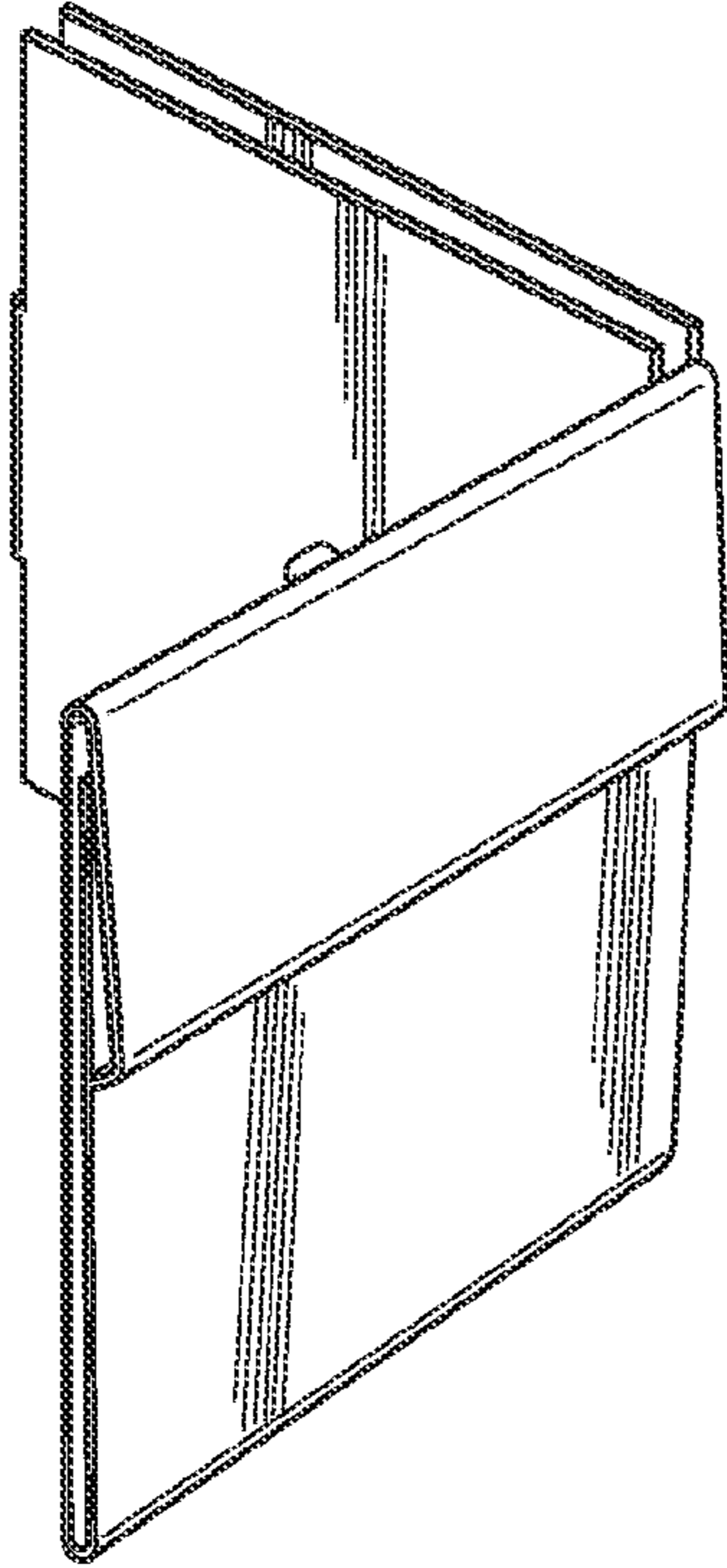


Fig.22

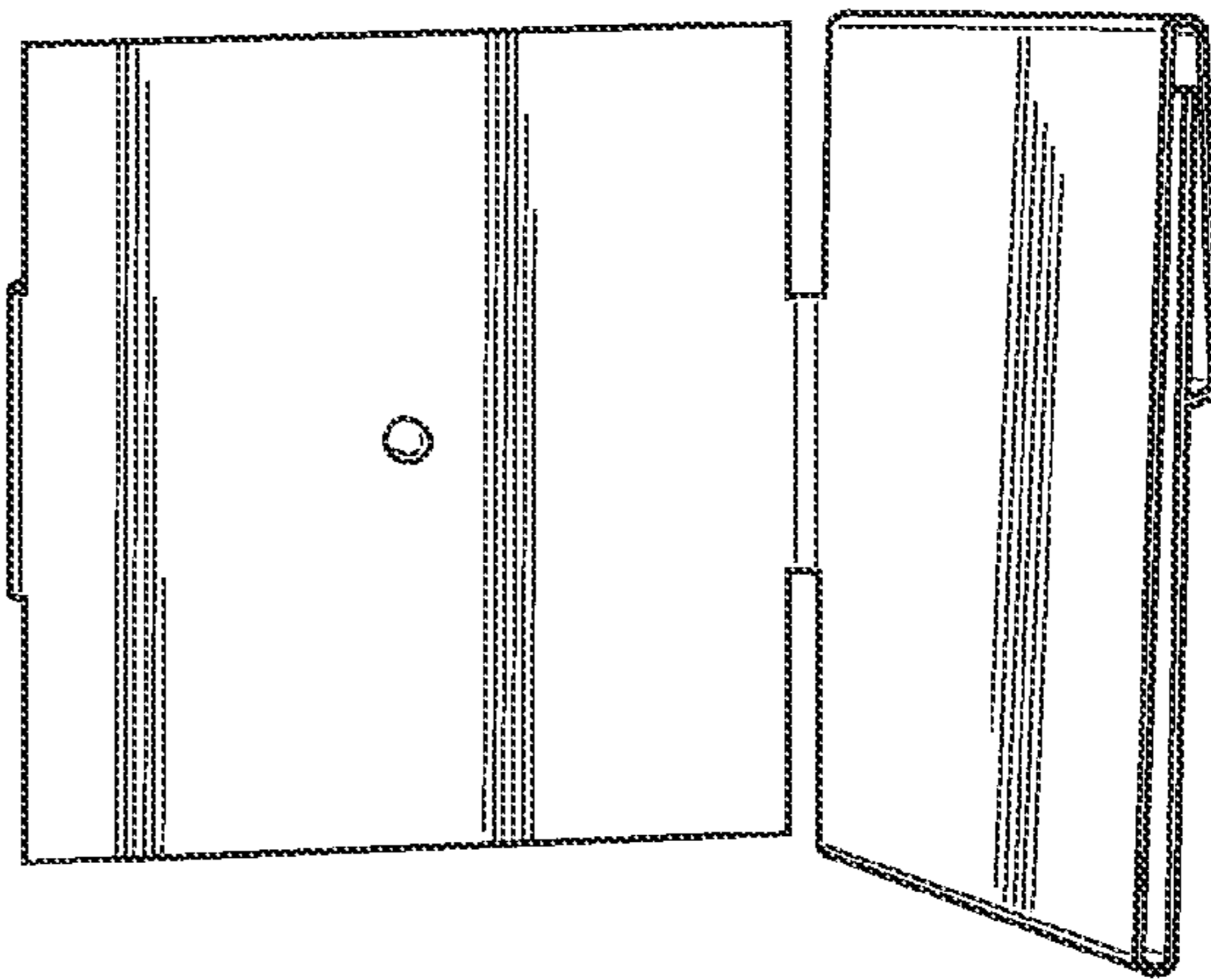


Fig.24

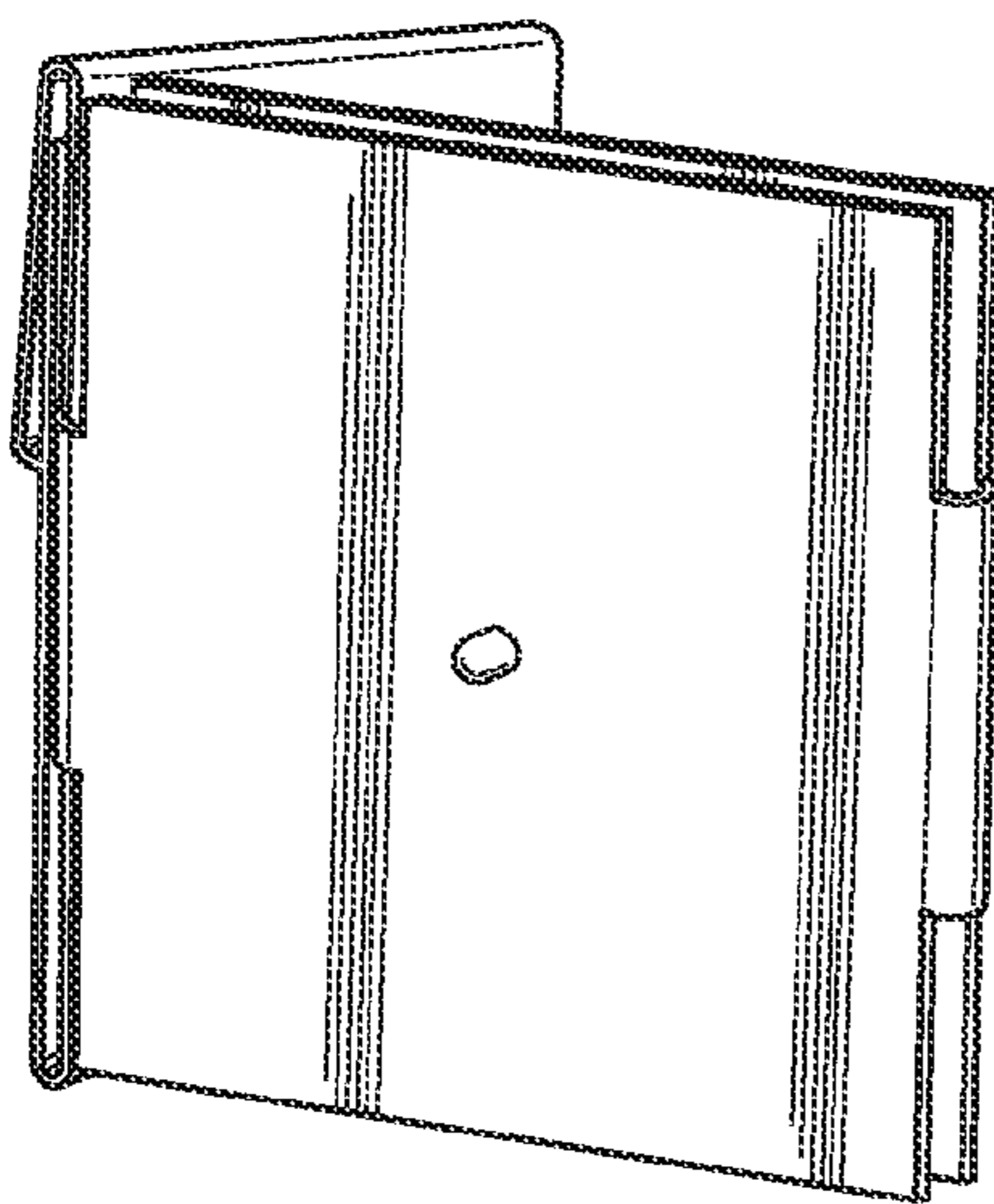
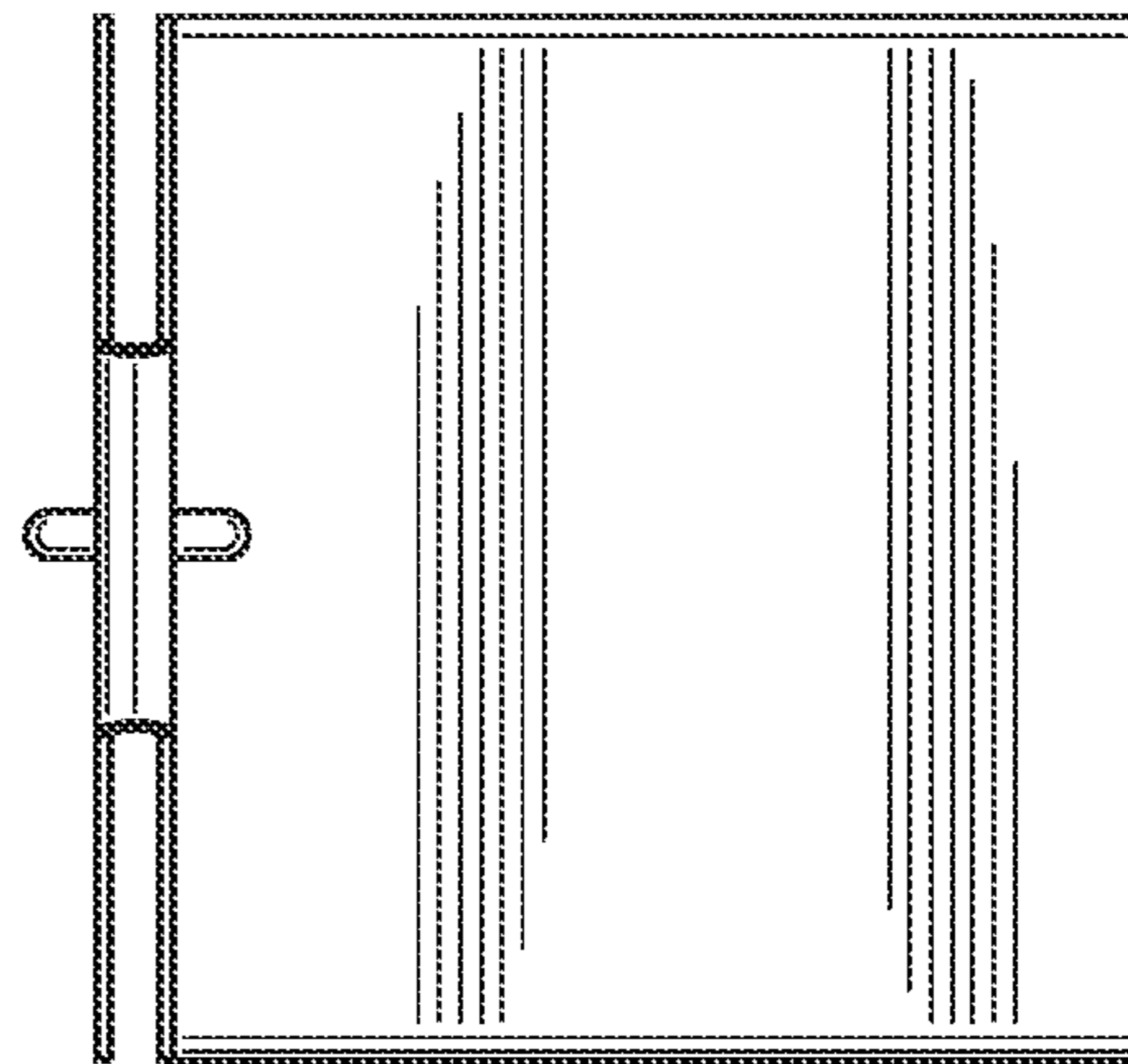


Fig.23