



US00D631916S

(12) **United States Design Patent**
Davies et al.

(10) **Patent No.:** **US D631,916 S**

(45) **Date of Patent:** **** Feb. 1, 2011**

(54) **HOLE PUNCH**

(75) Inventors: **Gareth Davies**, Bridgend (GB); **Simon Bathard**, Bridgend (GB); **Grant Riley**, Pontypridd (GB)

(73) Assignee: **Tonic Studios Limited**, Bridgend (GB)

(**) Term: **14 Years**

(21) Appl. No.: **29/356,146**

(22) Filed: **Feb. 19, 2010**

(30) **Foreign Application Priority Data**

Feb. 17, 2010 (EM) 001670928-0001

(51) **LOC (9) Cl.** **19-02**

(52) **U.S. Cl.** **D19/72**

(58) **Field of Classification Search** D8/98;
D19/72; 30/358; 83/167, 588, 618, 620,
83/633, 684, 686, 698.1

See application file for complete search history.

(56) **References Cited**

U.S. PATENT DOCUMENTS

D121,339 S * 7/1940 Noll D8/49
D152,283 S * 1/1949 Mission D19/72
D407,752 S * 4/1999 Kim et al. D19/72
6,089,137 A * 7/2000 Lee 83/621
6,428,248 B1 * 8/2002 Lee 407/117
RE38,219 E * 8/2003 Lee et al. 83/588
D482,584 S * 11/2003 Racamier D8/50

D491,230 S * 6/2004 Lee D19/72
D499,449 S * 12/2004 Chan D19/72
D516,397 S * 3/2006 Kent et al. D8/50
D529,094 S * 9/2006 Weng D19/72
D533,229 S * 12/2006 Tou D19/72
D587,542 S * 3/2009 Miyagi D8/50
D587,976 S * 3/2009 Cunningham et al. D8/50
D605,226 S * 12/2009 Nishimura D19/72
7,739,936 B2 * 6/2010 Chan 83/447
2005/0039590 A1 * 2/2005 Weng 83/684

* cited by examiner

Primary Examiner—Elizabeth A Albert

(74) *Attorney, Agent, or Firm*—Edwin D. Schindler

(57) **CLAIM**

The ornamental design for a hole punch, as shown and described.

DESCRIPTION

FIG. 1 is a right side view of a hole punch showing the present design;

FIG. 2 is a rear view of the hole punch of FIG. 1;

FIG. 3 is a plan view of the hole punch of FIG. 1;

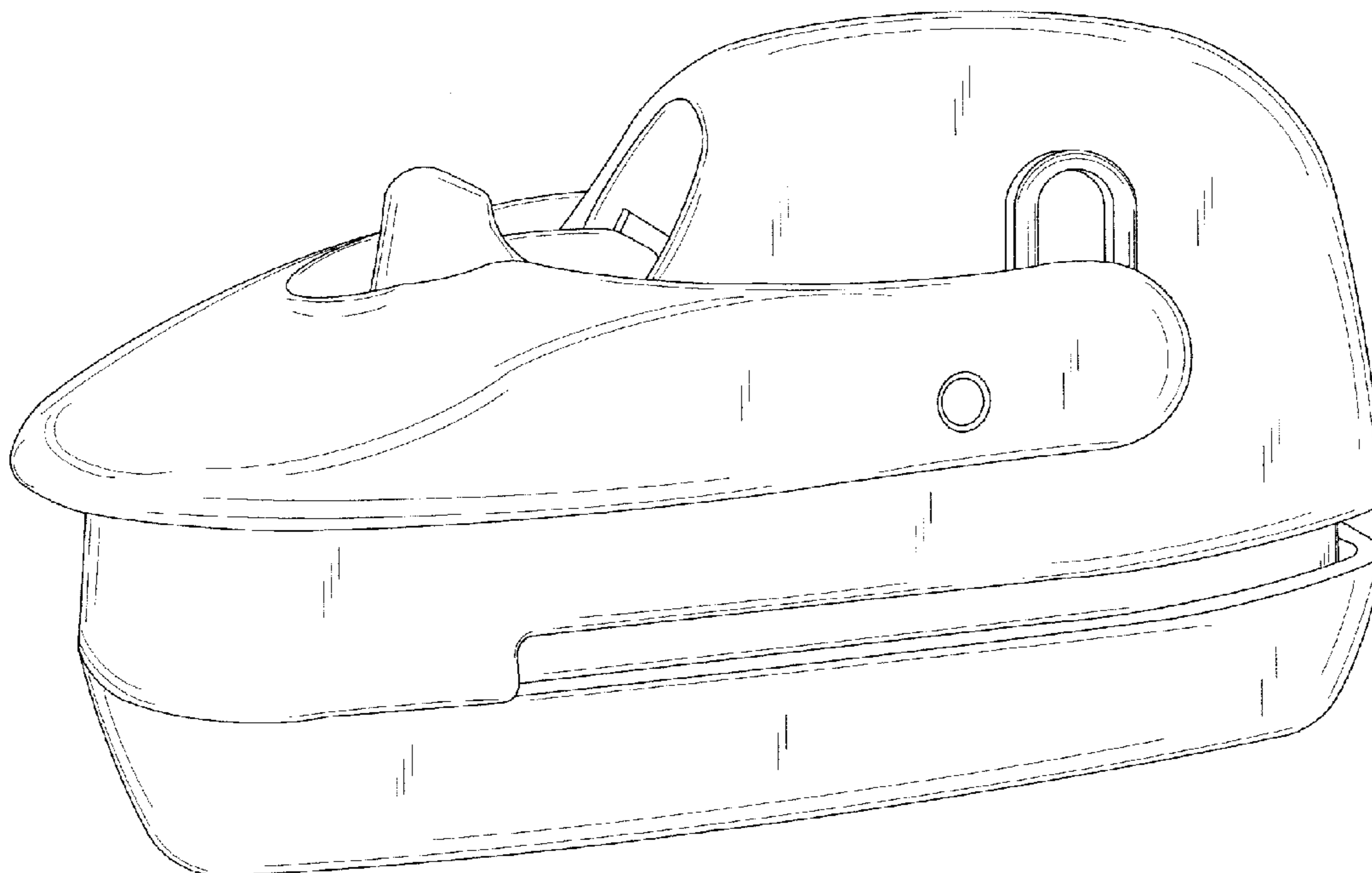
FIG. 4 is a perspective view of the hole punch of FIG. 1;

FIG. 5 is a left side view of the hole punch of FIG. 1;

FIG. 6 is a front view of the hole punch of FIG. 1; and,

FIG. 7 is a bottom view of the hole punch of FIG. 1.

1 Claim, 7 Drawing Sheets



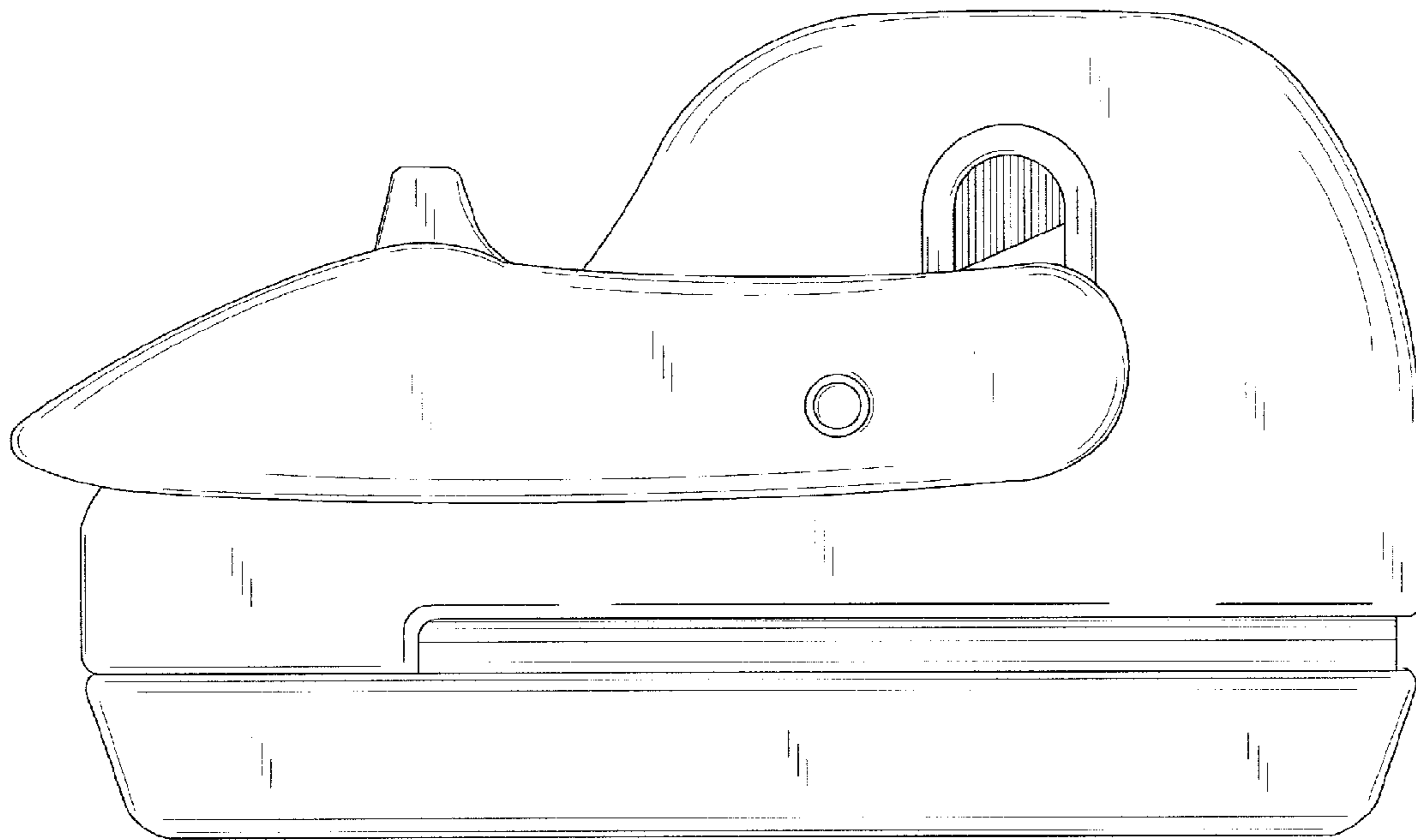


FIG. 1

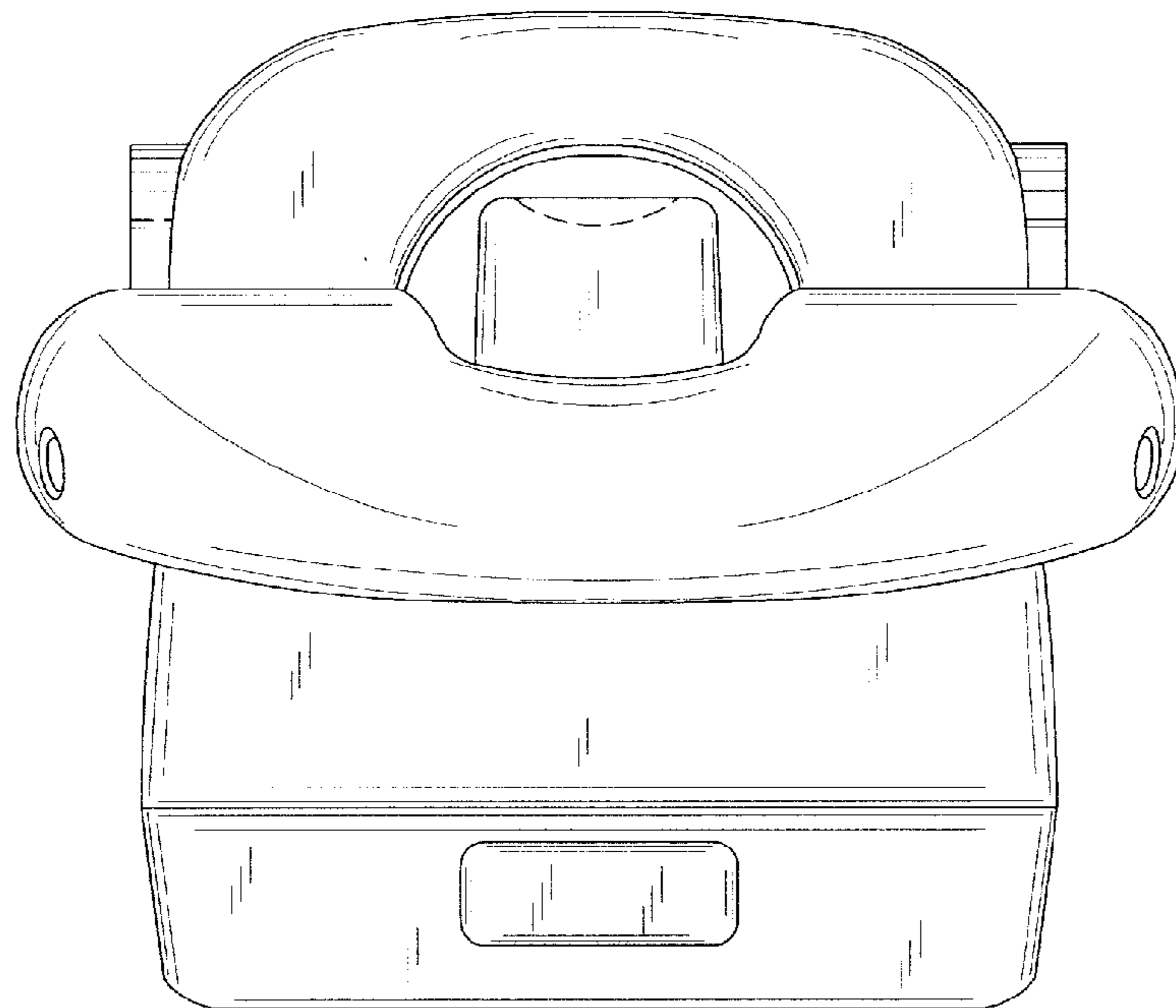


FIG. 2

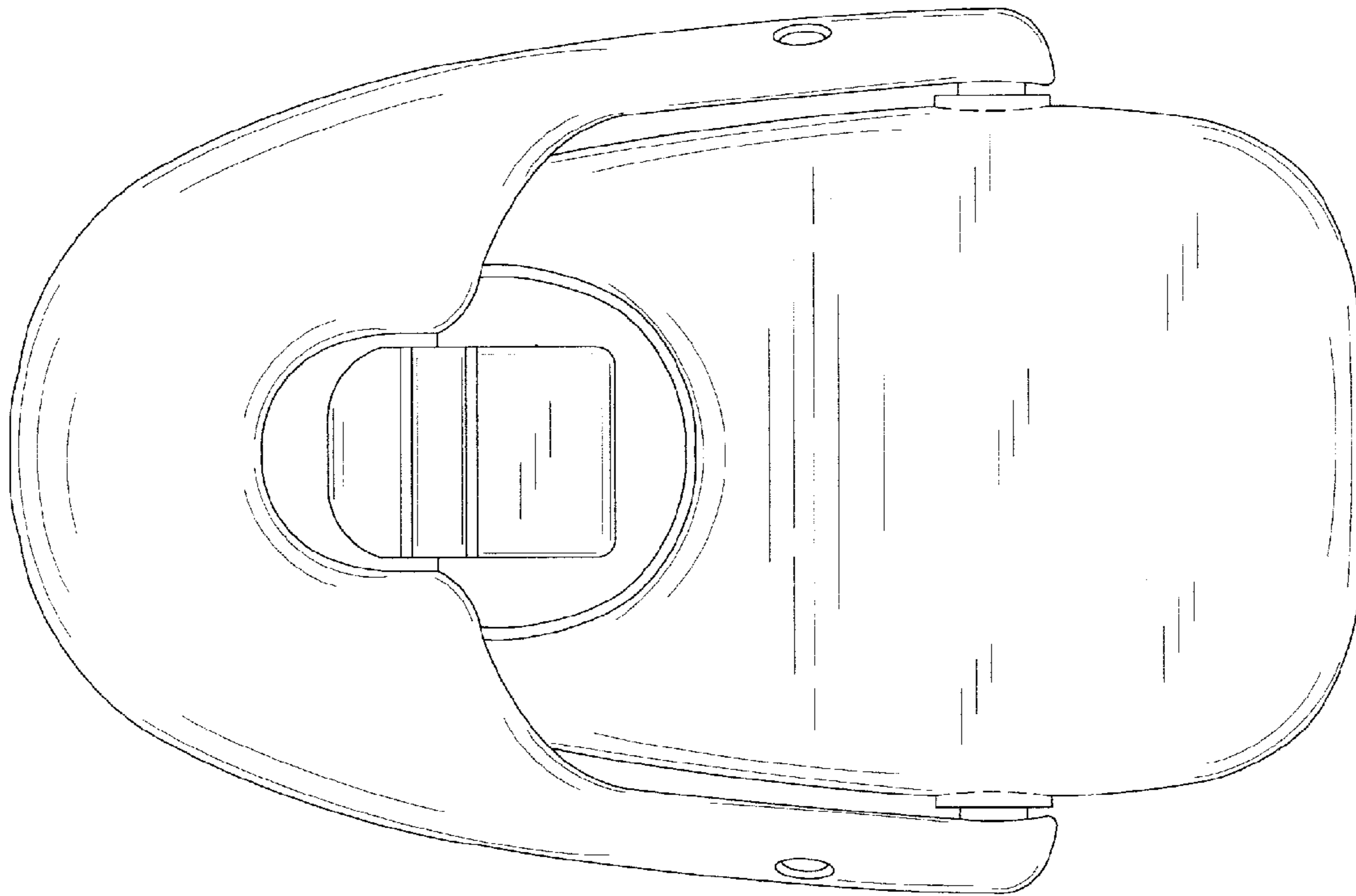


FIG. 3

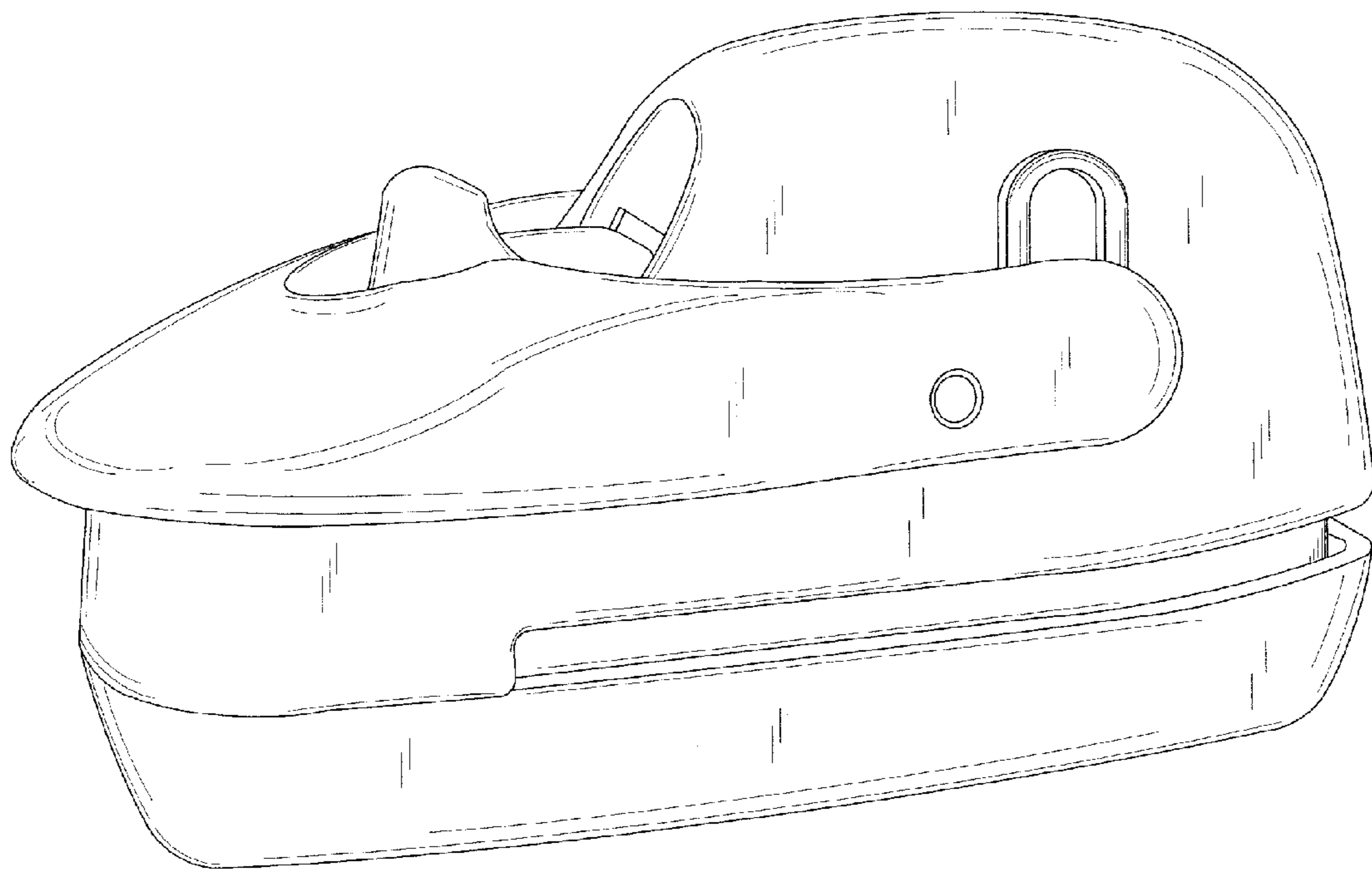


FIG. 4

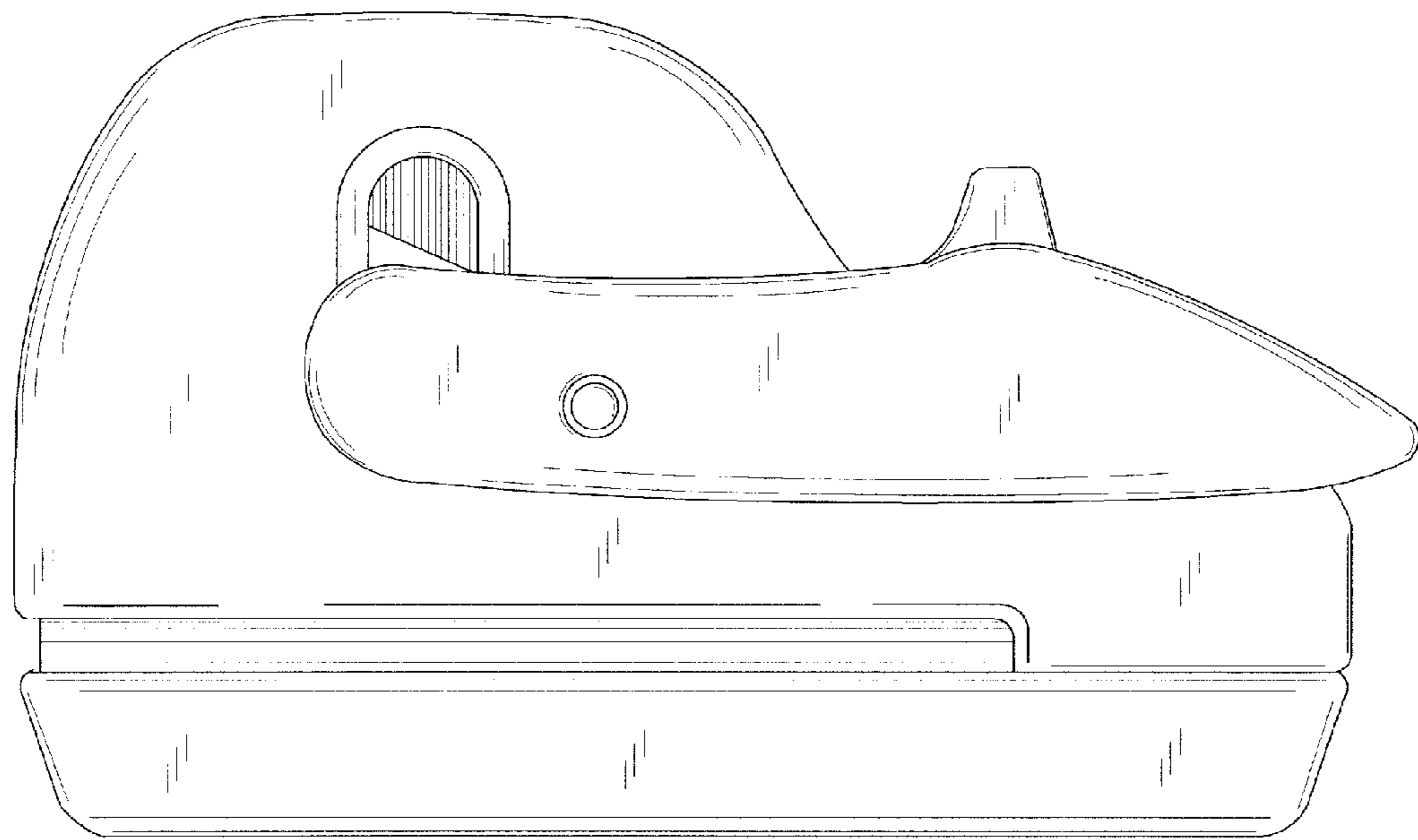


FIG. 5

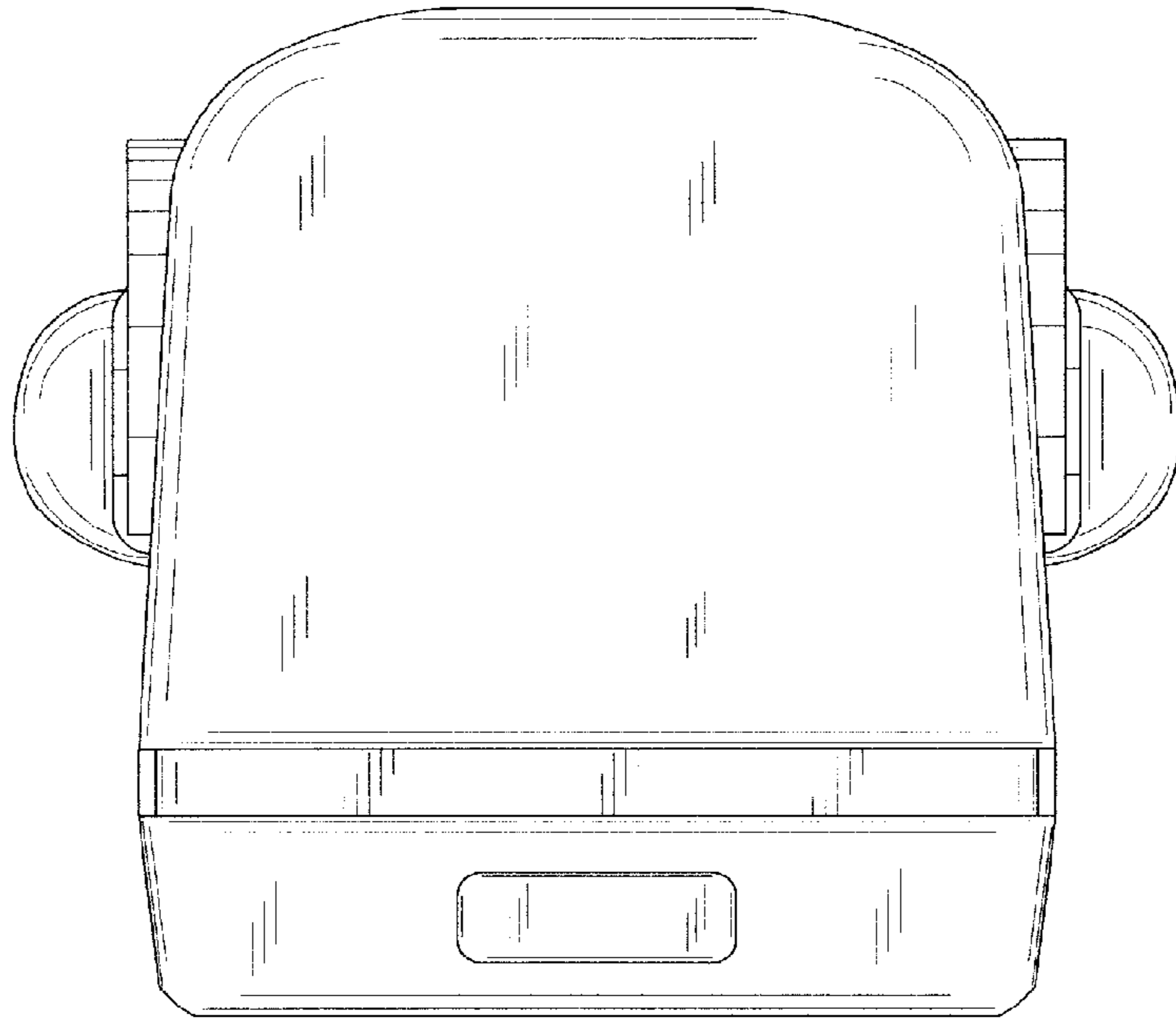


FIG. 6

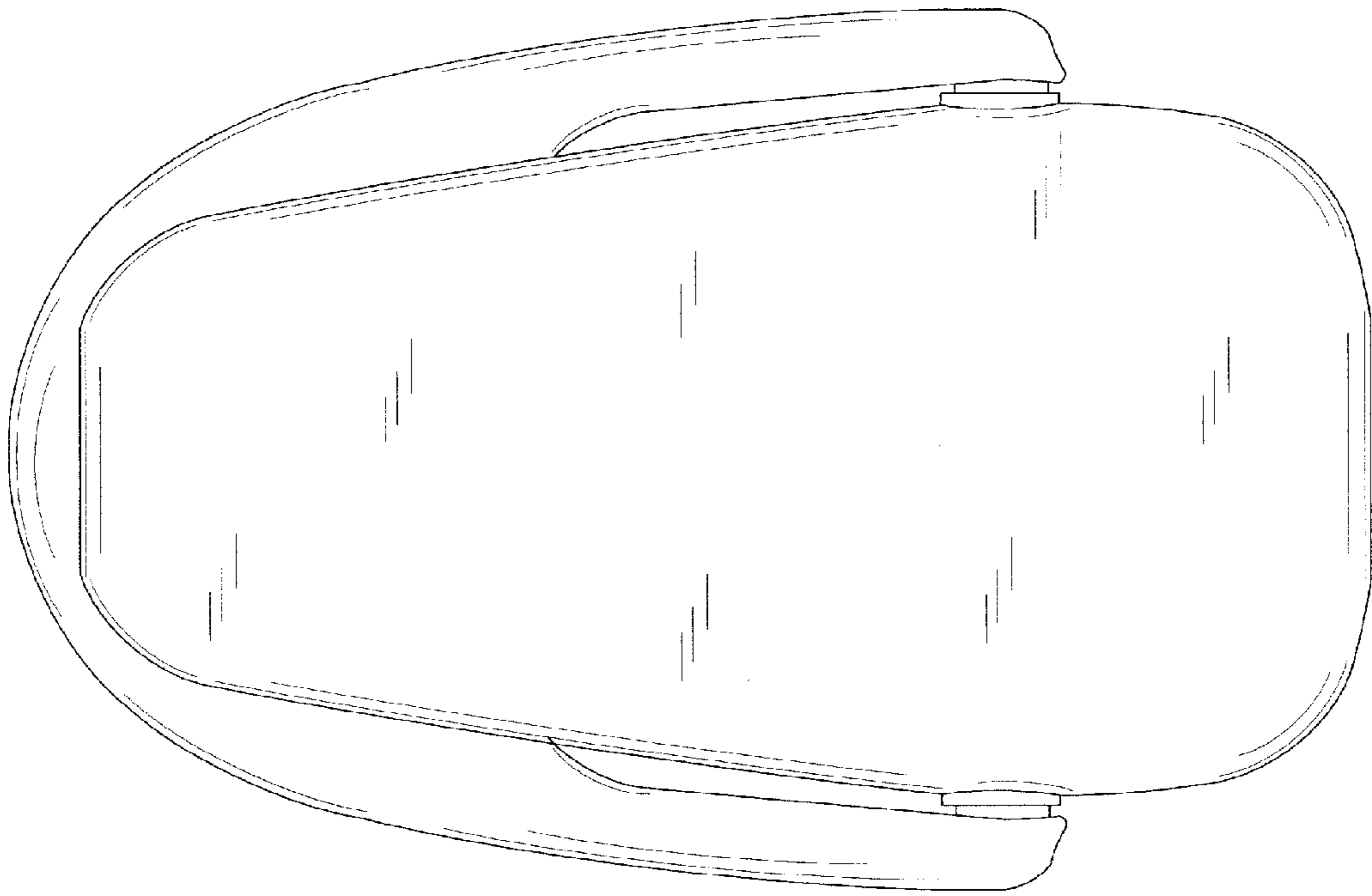


FIG. 7