



US00D631914S

(12) **United States Design Patent**
Li

(10) **Patent No.:** **US D631,914 S**
(45) **Date of Patent:** **** Feb. 1, 2011**

(54) **PEN**
(75) Inventor: **Bin Li**, Ningbo (CN)
(73) Assignee: **Beifa Group Co., Ltd.**, Ningbo (CN)
(**) Term: **14 Years**

D327,911 S * 7/1992 Poisson D19/49
D339,607 S 9/1993 White
D342,545 S 12/1993 Kao
D344,541 S 2/1994 Guo

(21) Appl. No.: **29/357,152**
(22) Filed: **Mar. 8, 2010**

(Continued)

(30) **Foreign Application Priority Data**
Sep. 11, 2009 (CN) 2009 3 0208059

OTHER PUBLICATIONS

Wang, W., "Pen," U.S. Appl. No. 29/354,358, filed Jan. 22, 2010.

(51) **LOC (9) Cl.** **19-06**
(52) **U.S. Cl.** **D19/48**
(58) **Field of Classification Search** D14/411,
D14/431; D19/35, 36, 41, 42, 43, 44, 45,
D19/46, 47, 48, 49, 50, 51, 54, 55, 56; 24/11 F,
24/11 P, 11 R; 401/6, 52, 99, 100, 104, 105,
401/106, 107, 108, 109, 192, 195, 243, 244,
401/245, 246, 247

(Continued)

Primary Examiner—Elizabeth A Albert
Assistant Examiner—Karen E Eldridge Powers
(74) *Attorney, Agent, or Firm*—Christensen O'Connor
Johnson Kindness PLLC

See application file for complete search history.

(57) **CLAIM**

The ornamental design for a pen, as shown and described.

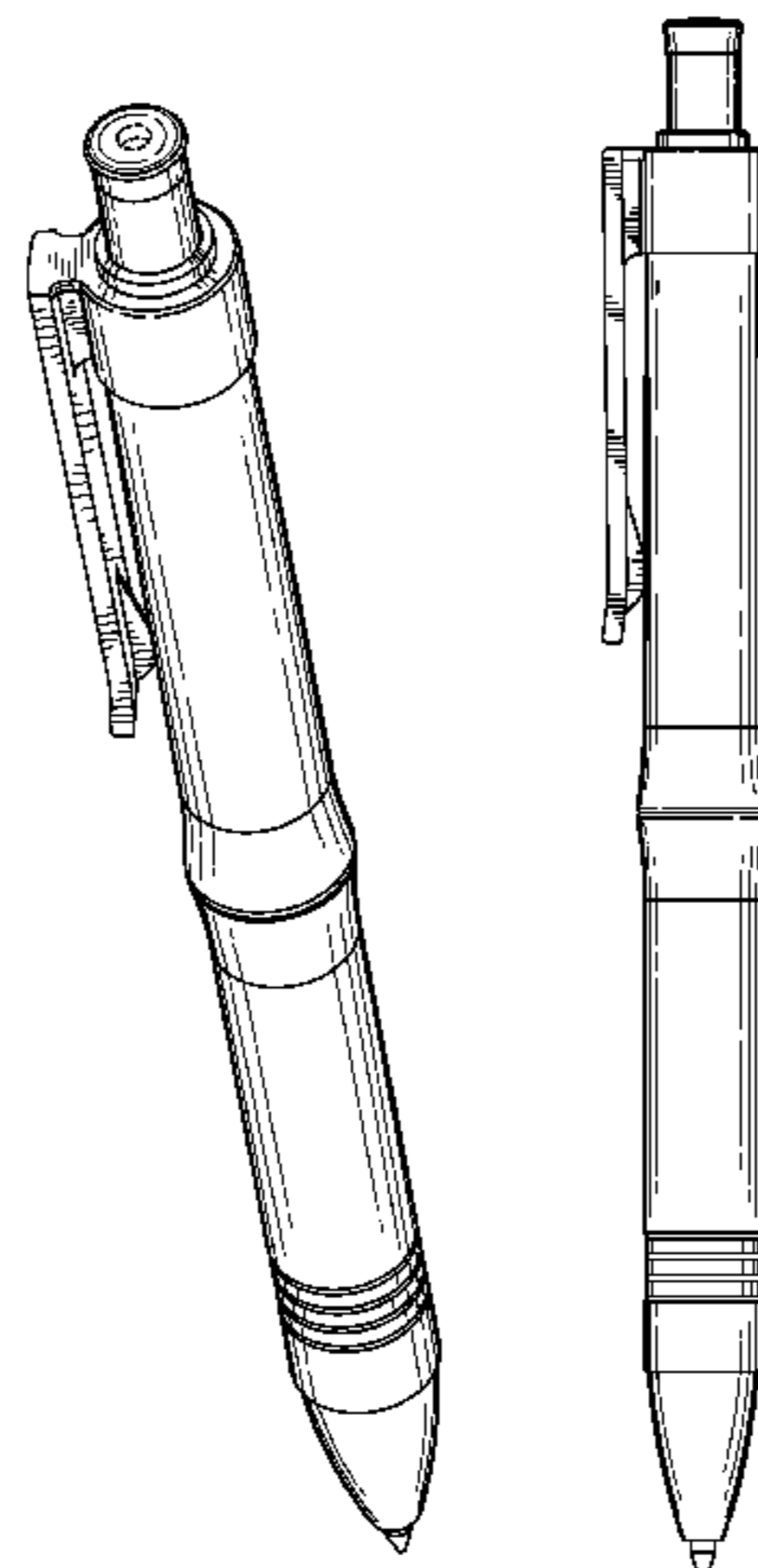
(56) **References Cited**
U.S. PATENT DOCUMENTS

DESCRIPTION

886,804 A * 5/1908 Herman 33/41.3
D56,680 S 11/1920 Sawyer
D57,397 S 3/1921 Taussig
1,376,115 A * 4/1921 Record 401/6
D100,845 S * 8/1936 Bloser D19/46
D155,031 S 8/1949 Patterson
D155,613 S * 10/1949 Kahn D19/48
D174,249 S 3/1955 Daniels
2,827,879 A * 3/1958 Rosa 211/69.7
D228,369 S * 9/1973 Longarzo D19/51
D286,789 S 11/1986 Thompson
D288,825 S 3/1987 Thompson
D289,304 S 4/1987 Giugiaro
D294,600 S * 3/1988 Funahashi et al. D19/51
D306,458 S 3/1990 Lecce
D312,478 S 11/1990 Lecce
D323,186 S 1/1992 Clark

FIG. 1 is an upper rear right perspective view of a pen showing my new design;
FIG. 2 is a right side elevation view thereof, with the left side elevation view being a mirror image of the right side elevation view;
FIG. 3 is a front elevation view thereof;
FIG. 4 is a rear elevation view thereof;
FIG. 5 is an enlarged top plan view thereof; and,
FIG. 6 is an enlarged bottom plan view thereof.
The broken lines showing a portion of the top of the pen in FIGS. 1 and 5 are included for the purpose of illustrating environment and form no part of the claimed design.

1 Claim, 3 Drawing Sheets



US D631,914 S

Page 2

U.S. PATENT DOCUMENTS

D356,306 S	3/1995	Ady	
D363,310 S	* 10/1995	Oka	D19/55
D363,739 S	10/1995	Petrillo	
D375,524 S	* 11/1996	Takahashi	D19/48
D382,016 S	* 8/1997	Takahashi	D19/51
D386,788 S	* 11/1997	Shui-Shang	D19/42
D389,131 S	1/1998	Nagaoka	
D391,153 S	2/1998	Poisson	
D400,922 S	* 11/1998	Sakuno	D19/48
D403,703 S	1/1999	Campbell	
D406,604 S	3/1999	Andrews	
D413,926 S	9/1999	Polidoro	
D414,512 S	9/1999	Yazawa	
D421,052 S	2/2000	Yazawa	
D421,771 S	3/2000	Avenatti	
D427,241 S	6/2000	Izushima	
D431,262 S	9/2000	Izushima	
D440,602 S	4/2001	Ikeda	
D442,636 S	* 5/2001	Kobayashi	D19/43
D444,173 S	6/2001	Izushima	
D444,174 S	6/2001	Izushima	
D452,707 S	1/2002	Kazaoka	
D453,354 S	2/2002	Ikenaga	
D457,563 S	5/2002	Moon	
D475,406 S	6/2003	Cetera	
D477,027 S	* 7/2003	Bain	D19/56
D485,299 S	1/2004	Bodino	
D489,759 S	* 5/2004	Shimizu	D19/50
D495,744 S	* 9/2004	Ikeda	D19/51
D496,962 S	10/2004	Bonnamour	
D497,180 S	* 10/2004	Cetera	D19/36
D500,792 S	1/2005	Bain	
6,848,851 B2	* 2/2005	Yokouchi	401/6
D503,428 S	* 3/2005	Chen	D19/36
D545,896 S	* 7/2007	Qiu	D19/36
D548,787 S	8/2007	Slemp	
D585,937 S	* 2/2009	Dhesse et al.	D19/48
D589,090 S	* 3/2009	Dhesse et al.	D19/55
D590,881 S	* 4/2009	Slemp	D19/51
D596,232 S	* 7/2009	Koch	D19/44
D605,699 S	12/2009	Li	

OTHER PUBLICATIONS

Xiao, Y., "Mechanical Pencil," U.S. Appl. No. 29/350,919, filed Nov. 25, 2009.

Zhang, B., "Pen," U.S. Appl. No. 29/354,385, filed Jan. 22, 2010.

Zhano, F., "Pen," U.S. Appl. No. 29/354,105, filed Jan. 19, 2010.

* cited by examiner

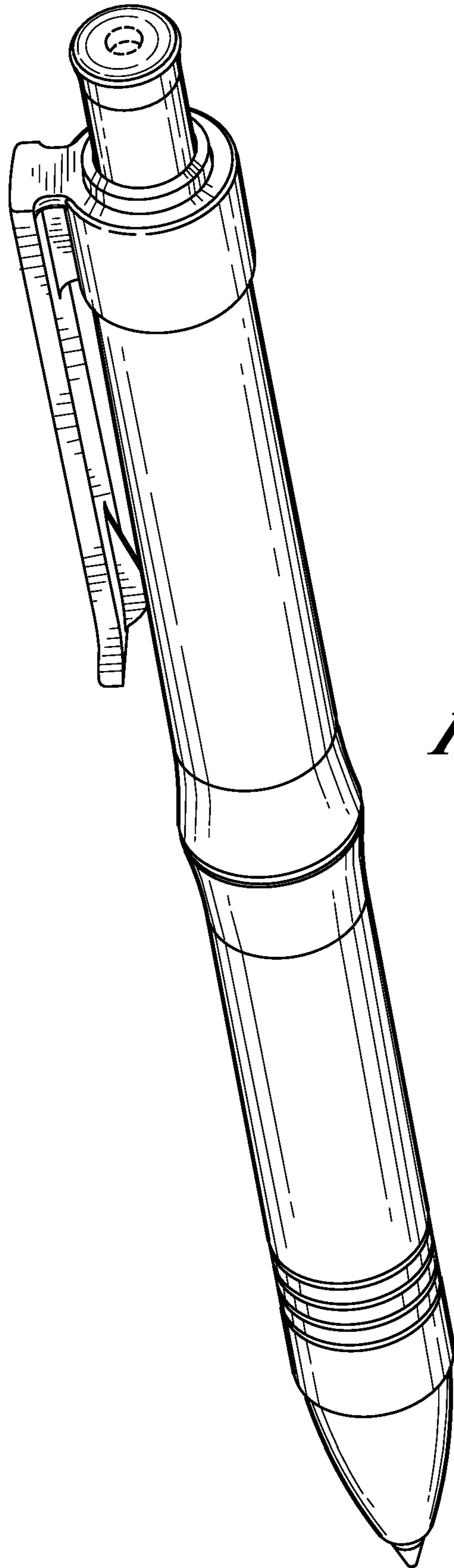


Fig. 1.

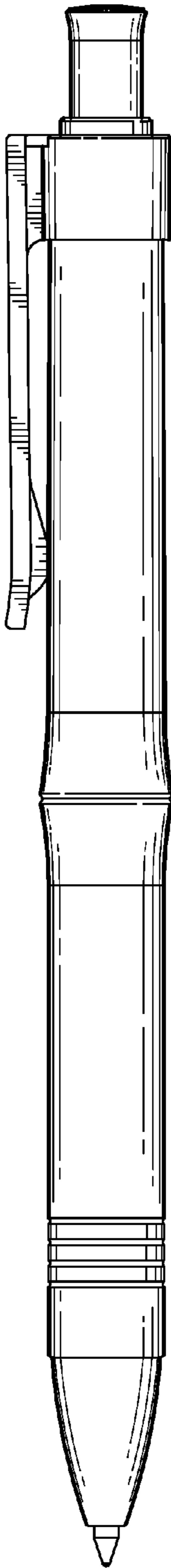


Fig. 2.

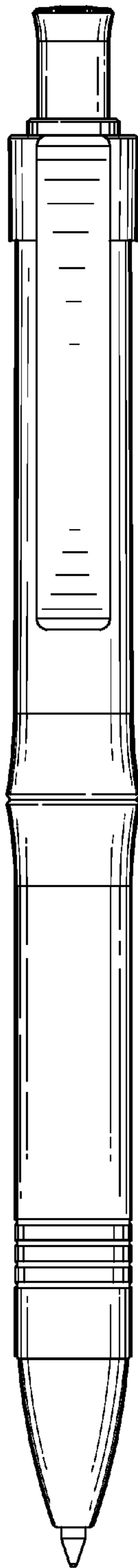


Fig. 3.

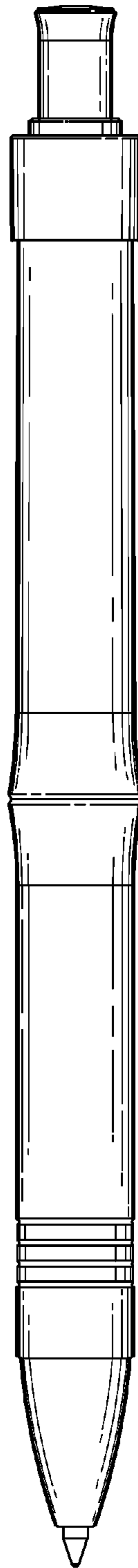


Fig. 4.

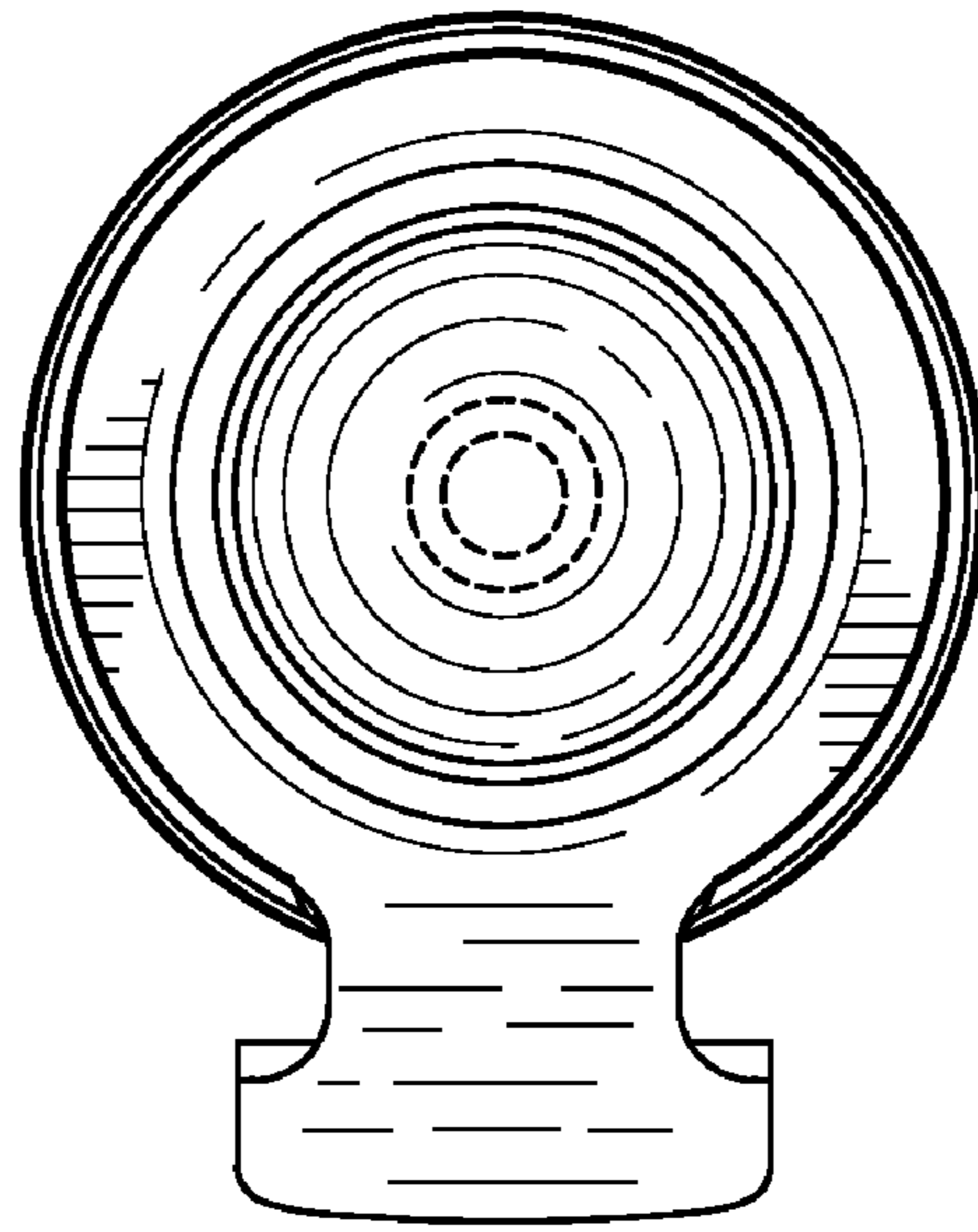


Fig. 5.

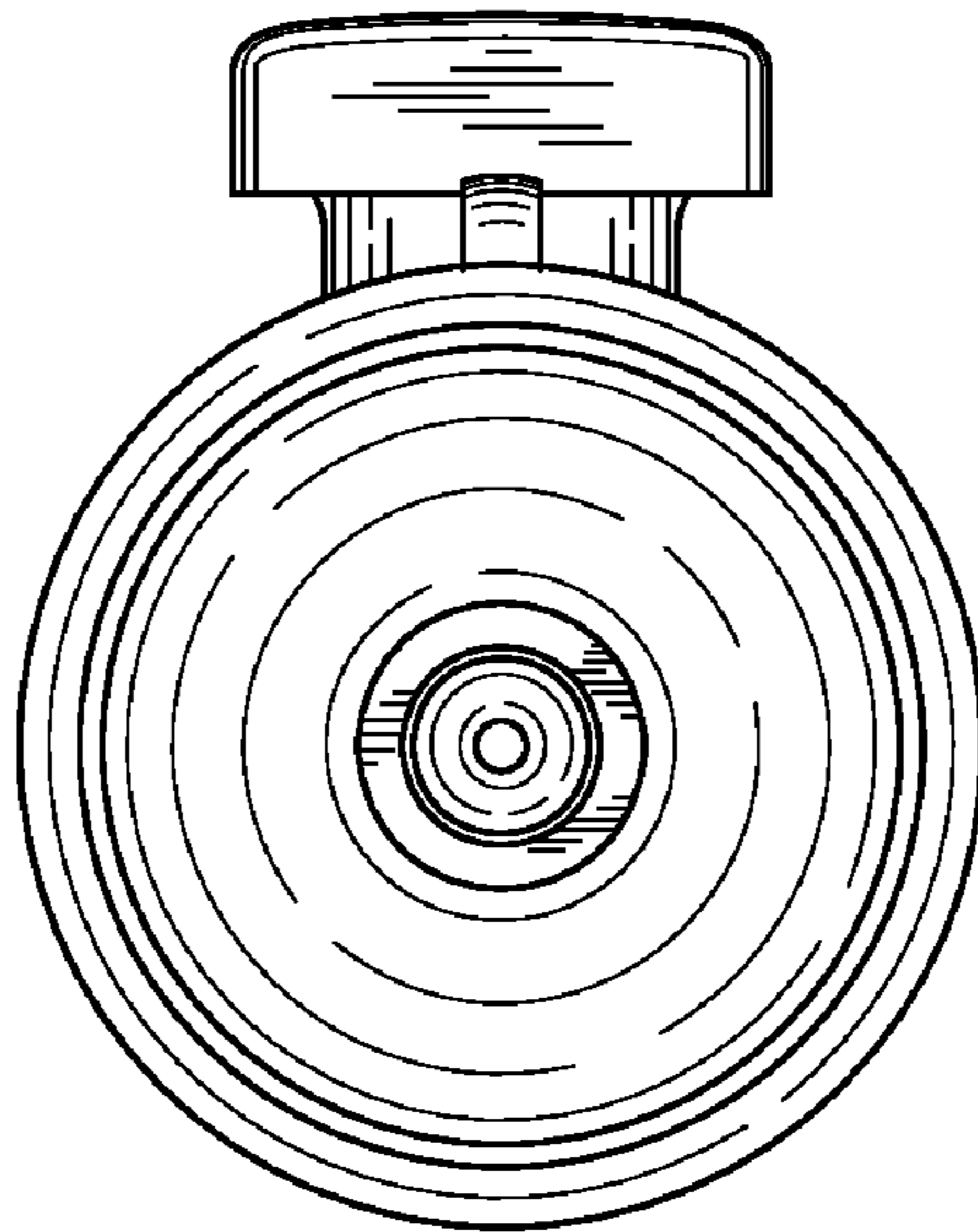


Fig. 6.