



US00D631913S

(12) **United States Design Patent**
Li

(10) **Patent No.:** **US D631,913 S**
(45) **Date of Patent:** **** Feb. 1, 2011**

(54) **PEN**
(75) Inventor: **Bin Li, Ningbo (CN)**
(73) Assignee: **Beifa Group Co., Ltd., Ninbgo (CN)**
(**) Term: **14 Years**

D480,423 S 10/2003 Kung
D488,507 S * 4/2004 Finney et al. D19/51
D496,688 S 9/2004 Nishida
D498,791 S 11/2004 Morrow
D499,142 S 11/2004 Morrow

(21) Appl. No.: **29/353,396**
(22) Filed: **Jan. 7, 2010**

(Continued)

(30) **Foreign Application Priority Data**
Jul. 9, 2009 (CN) 2009 3 0192669

OTHER PUBLICATIONS

Li, B., "Pen," U.S. Appl. No. 29/333,930, filed Mar. 17, 2009.

(51) **LOC (9) Cl.** **19-06**
(52) **U.S. Cl.** **D19/48**
(58) **Field of Classification Search** D14/411,
D14/431; D19/35, 36, 41, 42, 43, 44, 45,
D19/46, 47, 48, 49, 50, 51, 54, 55, 56; 24/11 F,
24/11 P, 11 R; 401/6, 52, 99, 100, 104, 105,
401/106, 107, 108, 109, 192, 195, 243, 244,
401/245, 246, 247

(Continued)

Primary Examiner—Elizabeth A Albert
Assistant Examiner—Karen E Eldridge Powers
(74) *Attorney, Agent, or Firm*—Christensen O'Connor
Johnson Kindness PLLC

See application file for complete search history.

(57) **CLAIM**

The ornamental design for a pen, as shown and described.

(56) **References Cited**

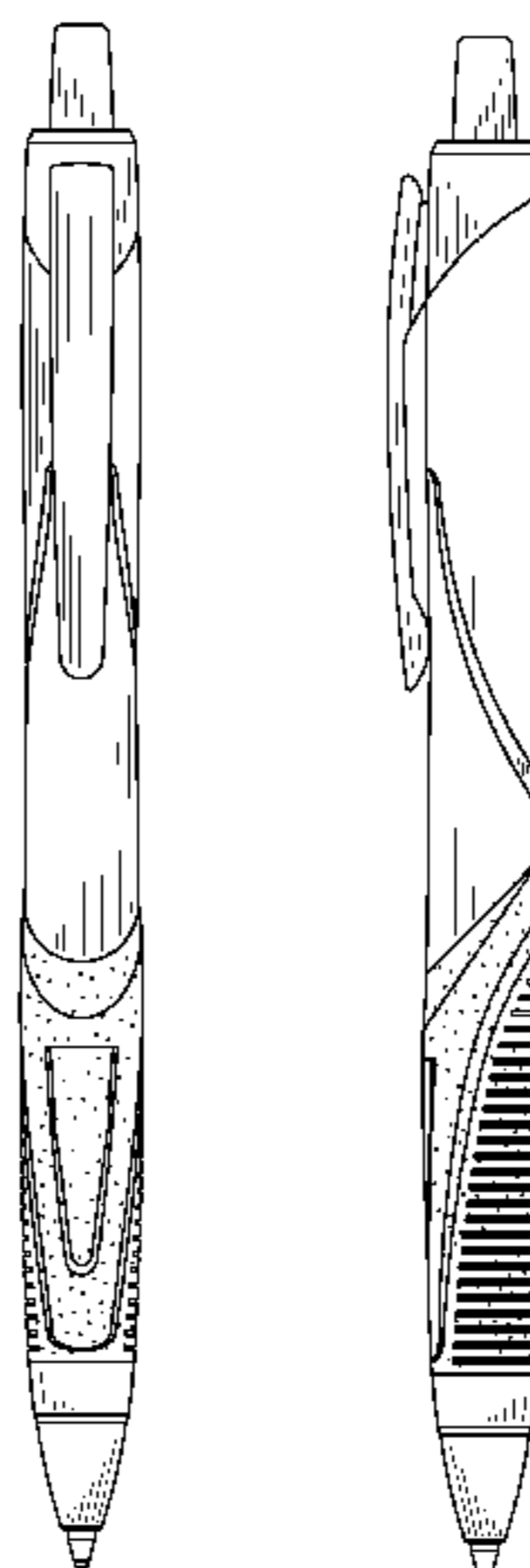
DESCRIPTION

U.S. PATENT DOCUMENTS

D89,846 S * 5/1933 Anderson D19/48
D355,673 S * 2/1995 Takahashi D19/48
D378,601 S 3/1997 Sakuno
D408,057 S 4/1999 Izushima
D410,030 S 5/1999 Sunaga
D413,927 S 9/1999 Izushima
D417,891 S 12/1999 Izushima
D418,871 S 1/2000 Keda
D420,702 S * 2/2000 Chang D19/36
D423,577 S 4/2000 Baudino
6,203,225 B1 * 3/2001 Baudino et al. 401/6
D453,187 S * 1/2002 Keda D19/48
D455,458 S 4/2002 Izushima
D465,238 S 11/2002 Qiu
D469,469 S * 1/2003 Schminke et al. D19/69
D476,364 S 6/2003 Bain
D477,363 S * 7/2003 Baudino et al. D19/48
D478,125 S 8/2003 Chen

FIG. 1 is a lower front right perspective view of a pen showing my new design;
FIG. 2 is a front elevation view thereof;
FIG. 3 is a right side elevation view thereof, with the left side elevation view being a minor image of the right side elevation view;
FIG. 4 is a rear elevation view thereof;
FIG. 5 is an enlarged top plan view thereof; and,
FIG. 6 is an enlarged bottom plan view thereof.
The stippling in the drawings represents a texture on the surface of the pen.

1 Claim, 3 Drawing Sheets



US D631,913 S

Page 2

U.S. PATENT DOCUMENTS

D499,448 S 12/2004 Rommel
D502,507 S 3/2005 Wang
D509,536 S * 9/2005 Nishida D19/43
D510,104 S 9/2005 Qiu
D525,302 S 7/2006 Togawa
D534,586 S * 1/2007 Togawa D19/50
D534,955 S 1/2007 Xiong
D535,695 S * 1/2007 Chen D19/51
D548,281 S 8/2007 Tien
D548,791 S 8/2007 Santa Maria
D552,674 S * 10/2007 Qiu et al. D19/48
D558,269 S * 12/2007 Takanashi D19/49
D559,313 S * 1/2008 Qiu et al. D19/48
D559,318 S * 1/2008 Qiu et al. D19/51

D561,254 S 2/2008 Lin
D562,392 S 2/2008 Qiu
D562,895 S * 2/2008 Shibata D19/50
D579,051 S * 10/2008 Patadia et al. D19/55
D579,977 S * 11/2008 Fei D19/48
D580,493 S * 11/2008 Fei D19/49
D589,088 S * 3/2009 Li D19/50
D590,879 S * 4/2009 Yu et al. D19/48
D595,353 S * 6/2009 Li D19/48
D602,526 S * 10/2009 Matsumura D19/47
D605,701 S 12/2009 Zhang

OTHER PUBLICATIONS

Li, B., "Pen," U.S. Appl. No. 29/338,978, filed Jun. 22, 2009.

* cited by examiner

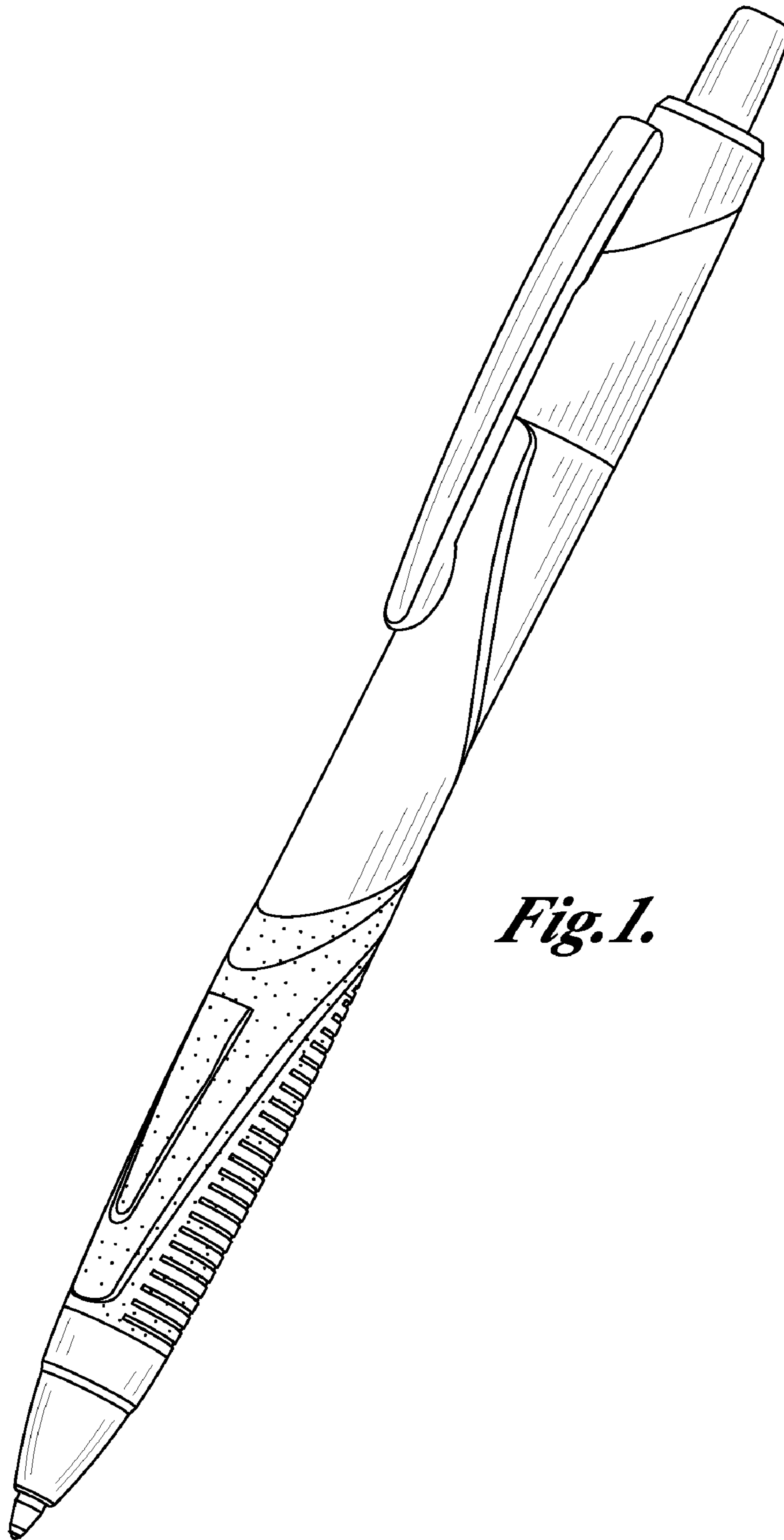


Fig. 1.

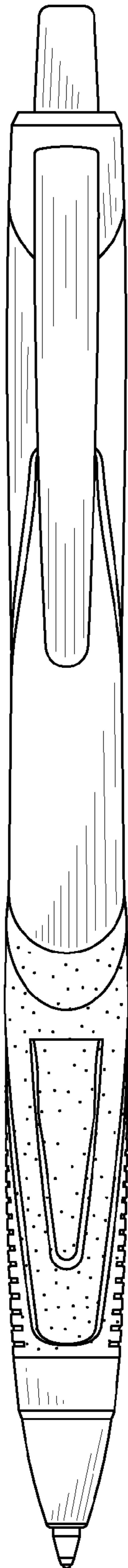


Fig. 2.



Fig. 3.

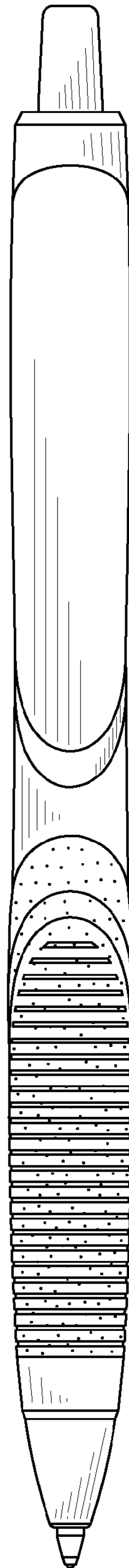


Fig. 4.

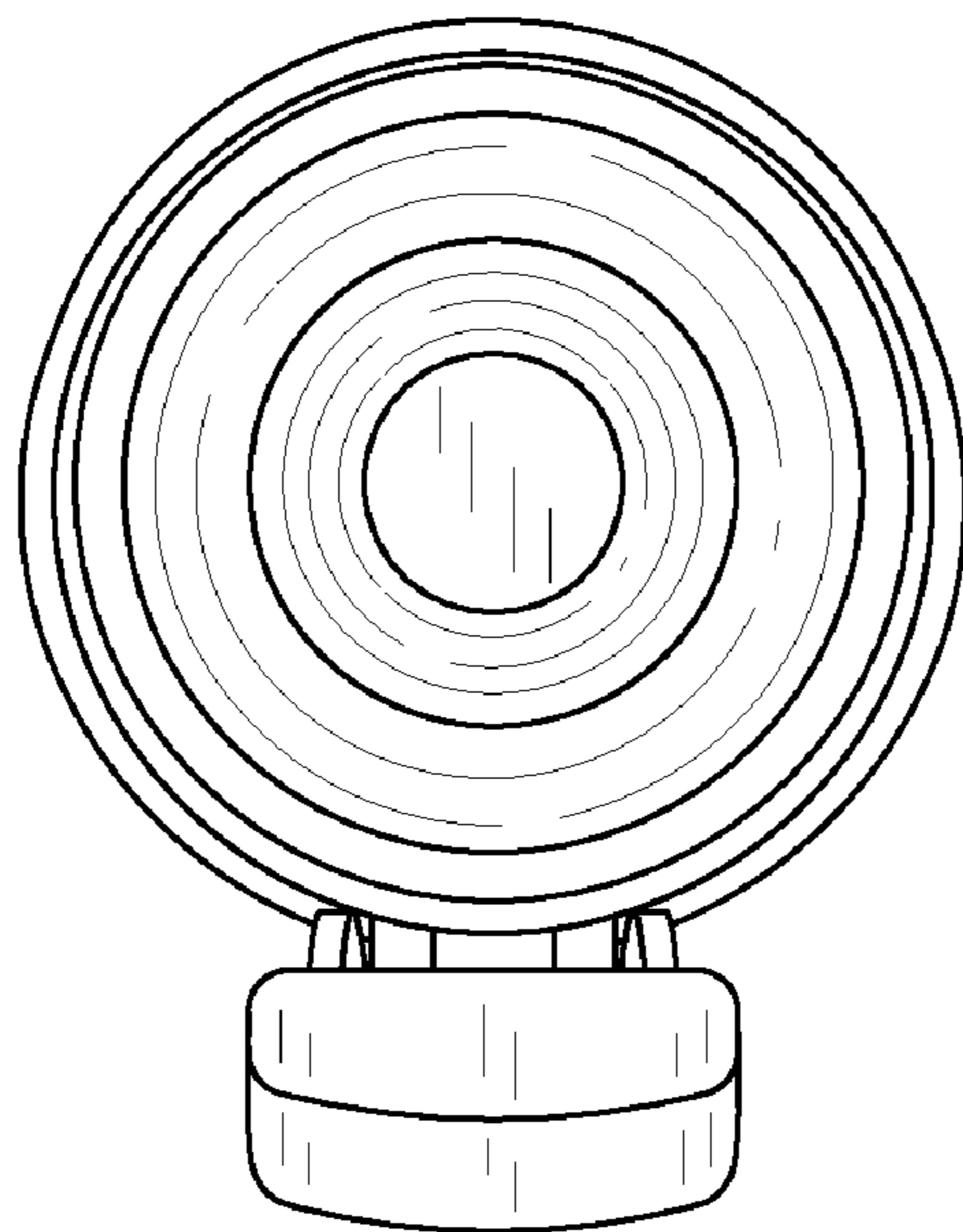


Fig. 5.

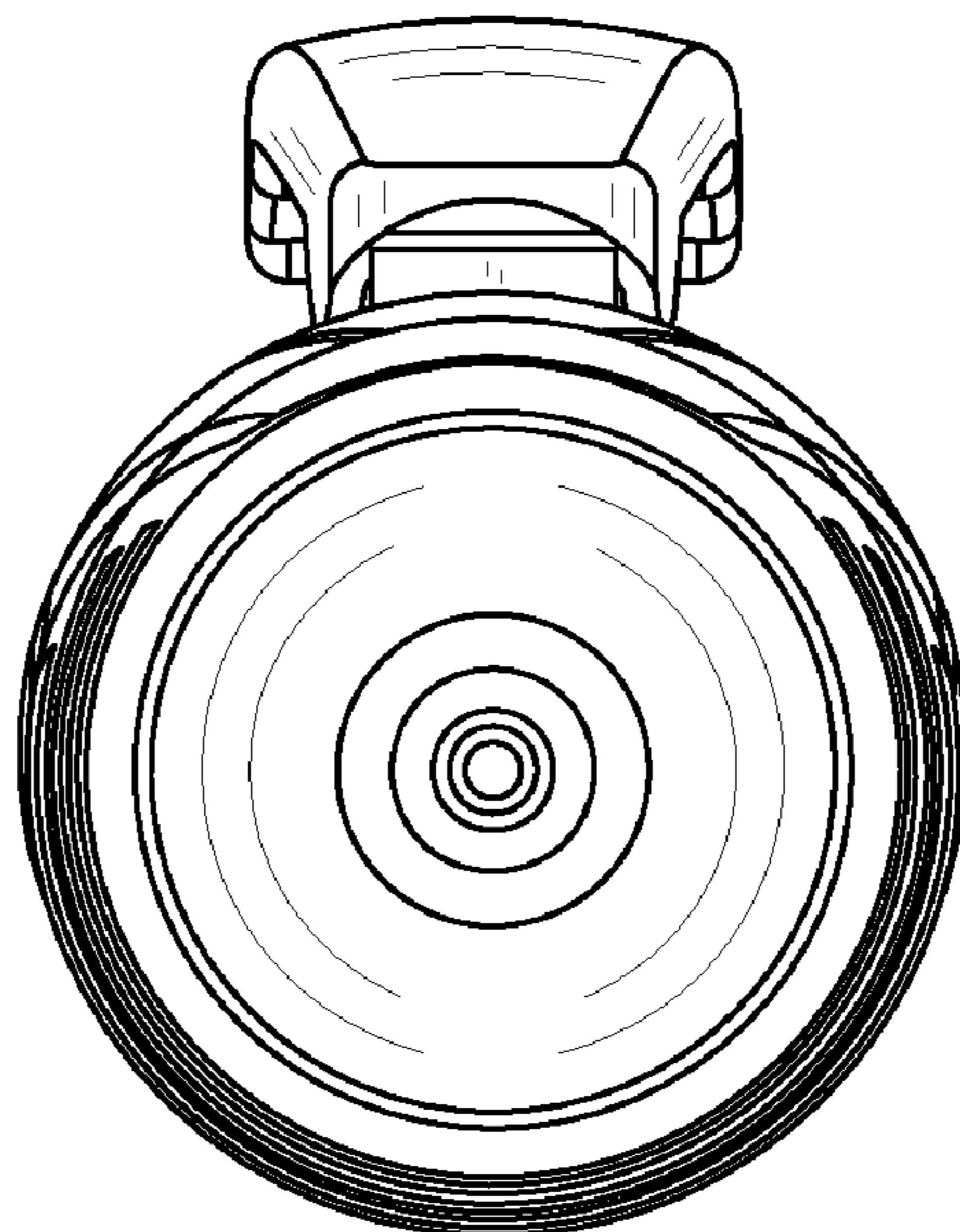


Fig. 6.

UNITED STATES PATENT AND TRADEMARK OFFICE
CERTIFICATE OF CORRECTION

PATENT NO. : D631,913 S
APPLICATION NO. : 29/353396
DATED : February 1, 2011
INVENTOR(S) : B. Li

Page 1 of 1

It is certified that error appears in the above-identified patent and that said Letters Patent is hereby corrected as shown below:

Title Page, Description

<u>COLUMN</u>	<u>LINE</u>	<u>ERROR</u>
2	21	“a minor image” should read --a mirror image--

Signed and Sealed this
Thirty-first Day of May, 2011



David J. Kappos
Director of the United States Patent and Trademark Office