



US00D631912S

(12) **United States Design Patent**  
**Epstein**

(10) **Patent No.:** **US D631,912 S**

(45) **Date of Patent:** **\*\* Feb. 1, 2011**

(54) **ROLL AND FOLD BOARD BOOK**

(76) **Inventor:** **Brad Michael Epstein**, 36 Cabrillo Ter.,  
Aliso Viejo, CA (US) 92656

(\*\*) **Term:** **14 Years**

(21) **Appl. No.:** **29/361,716**

(22) **Filed:** **May 13, 2010**

(51) **LOC (9) Cl.** ..... **19-04**

(52) **U.S. Cl.** ..... **D19/26**

(58) **Field of Classification Search** ..... D19/26-33,  
D19/75, 86; D3/303; 281/15.1, 19.1, 22,  
281/29, 31, 38, 51; 229/72; 283/63.1; 446/147  
See application file for complete search history.

(56) **References Cited**

**U.S. PATENT DOCUMENTS**

2,458,729	A *	1/1949	Politzer	40/530
2,586,071	A *	2/1952	Manen-Mayol	40/530
2,718,911	A *	9/1955	Solomon	150/147
3,257,128	A *	6/1966	Schneider	281/39
3,738,686	A *	6/1973	Morse	283/63.1
4,010,964	A *	3/1977	Schechter	283/56
4,097,067	A *	6/1978	Schechter	283/56
4,280,241	A *	7/1981	Pfaff	412/3
4,586,729	A *	5/1986	Beylerian	281/5
4,620,725	A *	11/1986	Maehashi	281/45
4,932,679	A *	6/1990	Mayer et al.	281/18
D341,373	S *	11/1993	Stern	D19/26
D392,320	S *	3/1998	Weed	D19/59
5,857,705	A *	1/1999	Dahlquist	281/5
6,284,083	B1 *	9/2001	Dahlquist	156/201
D477,634	S *	7/2003	Malone	D19/26
6,702,331	B2 *	3/2004	Derraugh et al.	281/38
6,742,809	B2 *	6/2004	Frosig et al.	281/21.1
7,090,252	B2 *	8/2006	Manico et al.	281/46

D548,782	S *	8/2007	Nash	D19/26
2003/0132628	A1 *	7/2003	Derraugh	281/38
2005/0052015	A1 *	3/2005	Hynek	281/15.1

\* cited by examiner

*Primary Examiner*—T. Chase Nelson

*Assistant Examiner*—Kathleen M Sims

(74) *Attorney, Agent, or Firm*—QuickPatents, Inc.; Kevin Prince

(57) **CLAIM**

What is claimed is the ornamental design for a roll and fold board book, as shown and described.

**DESCRIPTION**

FIG. 1 is a perspective view of a roll and fold board book, showing the new design in a closed configuration;

FIG. 2 is a front elevational view thereof;

FIG. 3 is a rear elevational view thereof;

FIG. 4 is a right-side elevational view thereof;

FIG. 5 is a left-side elevational view thereof;

FIG. 6 is a top plan view thereof;

FIG. 7 is a bottom plan view thereof;

FIG. 8 is a perspective view thereof, illustrated in a fully open configuration;

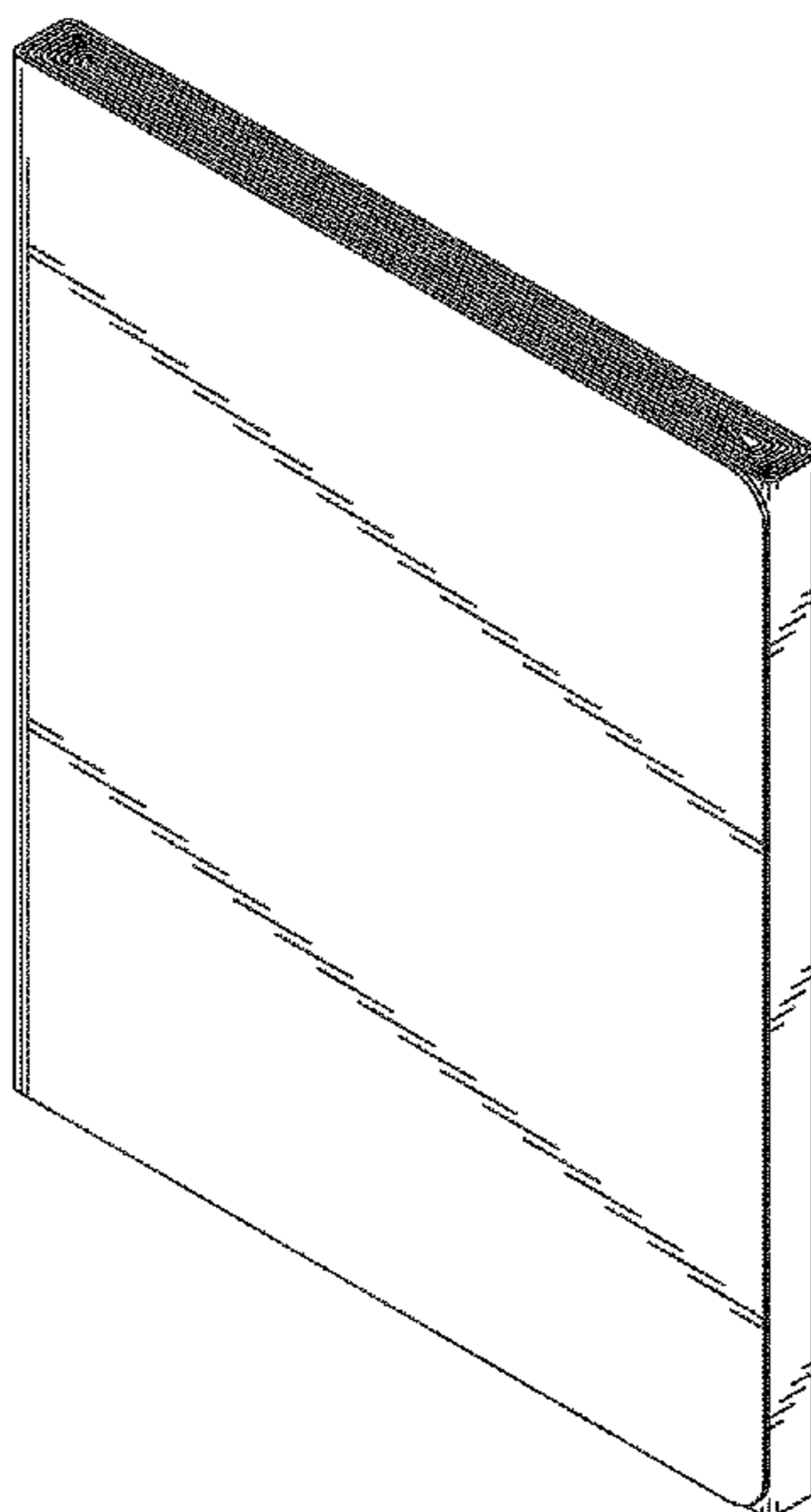
FIG. 9 is a front elevational view thereof;

FIG. 10 is a rear elevational view thereof;

FIG. 11 is a top plan view thereof, the bottom plan view being a mirror image thereof; and,

FIG. 12 is a left-side elevational view thereof, the right-side elevational view being a mirror image thereof.

**1 Claim, 3 Drawing Sheets**



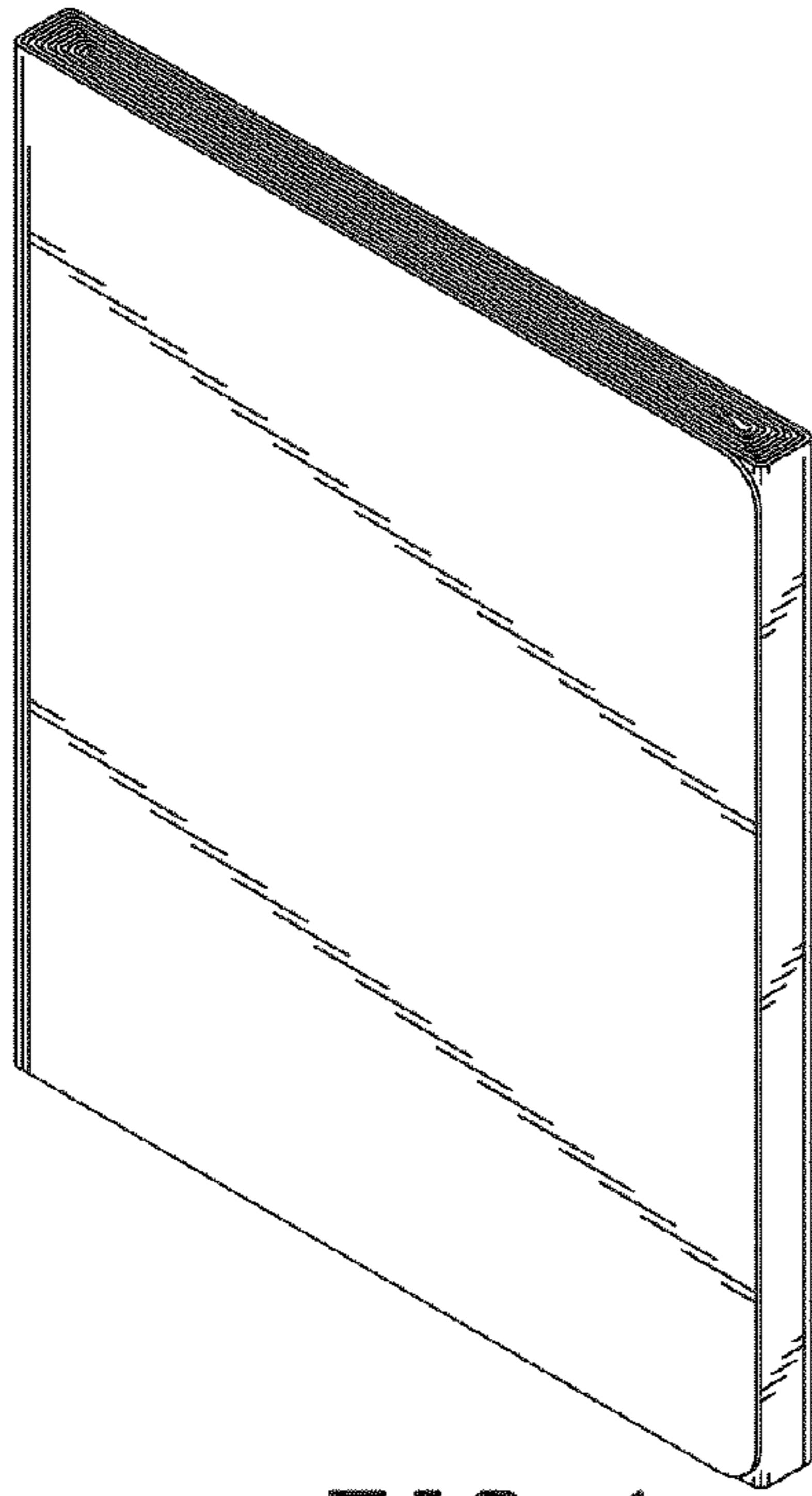


FIG. 1

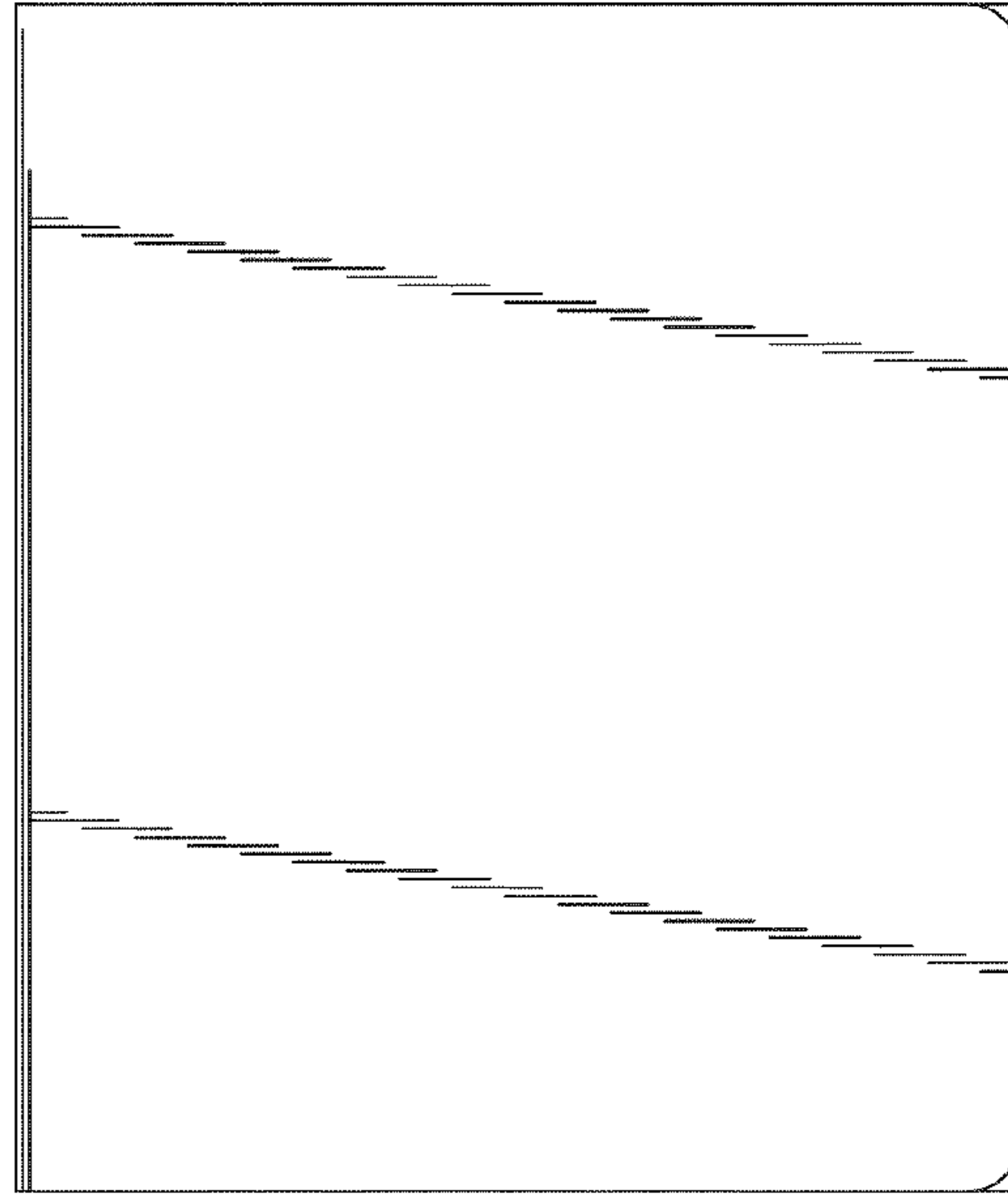


FIG. 2

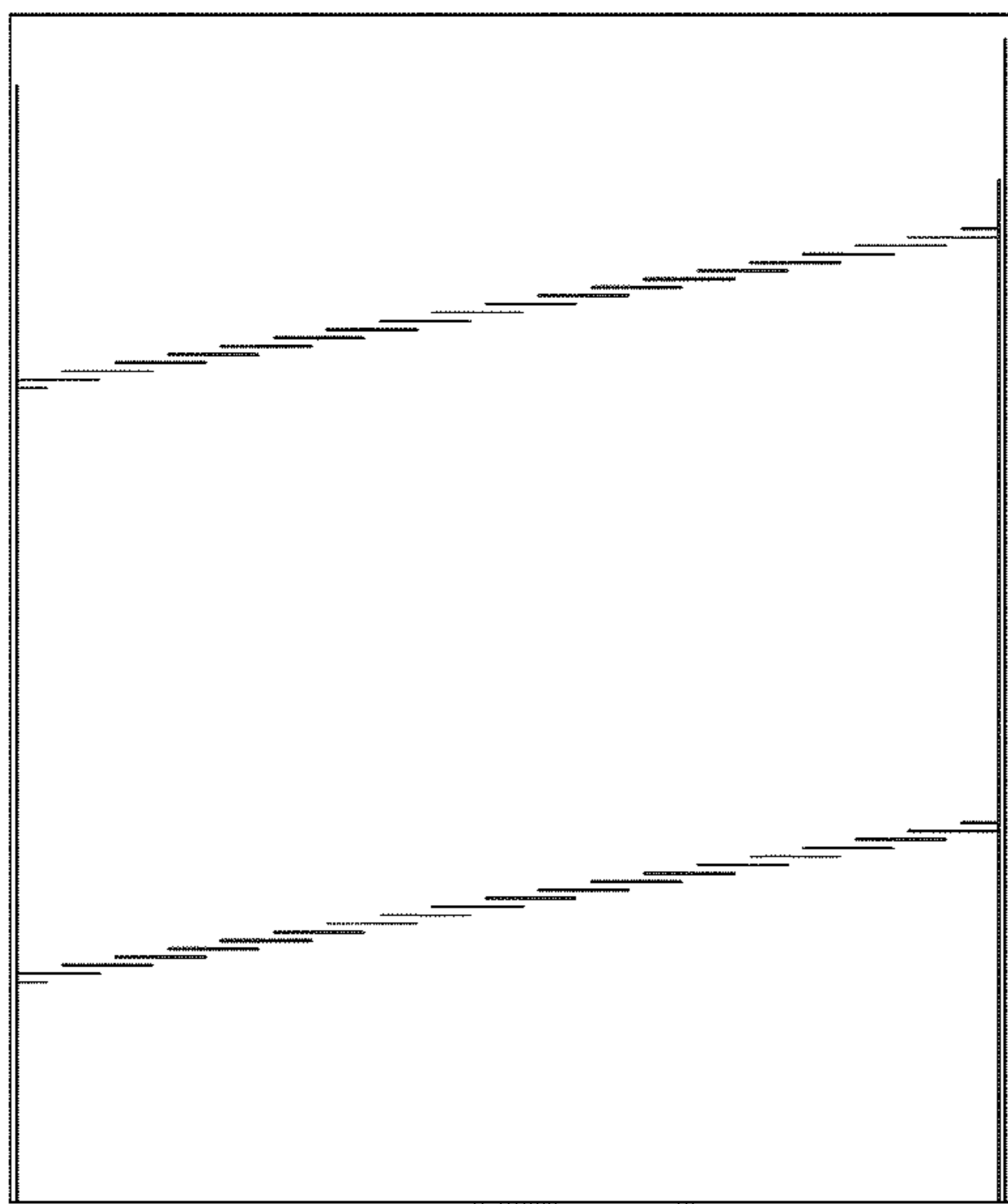


FIG. 3

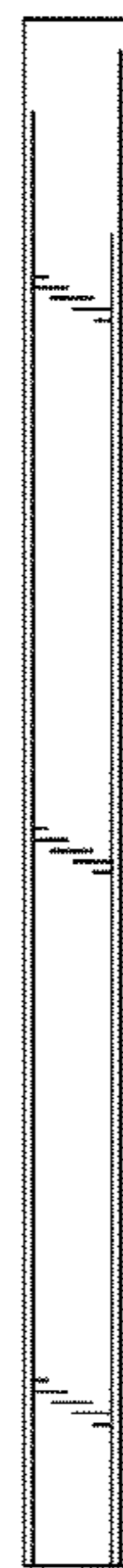


FIG. 4

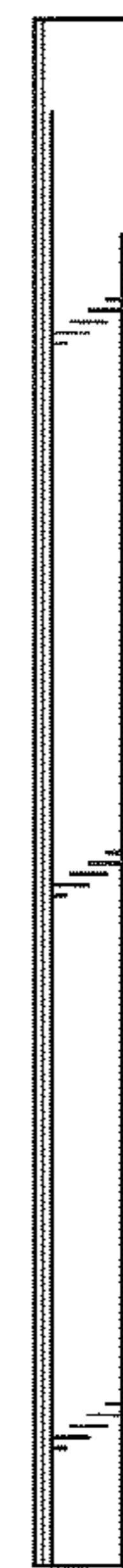


FIG. 5



FIG. 6



FIG. 7

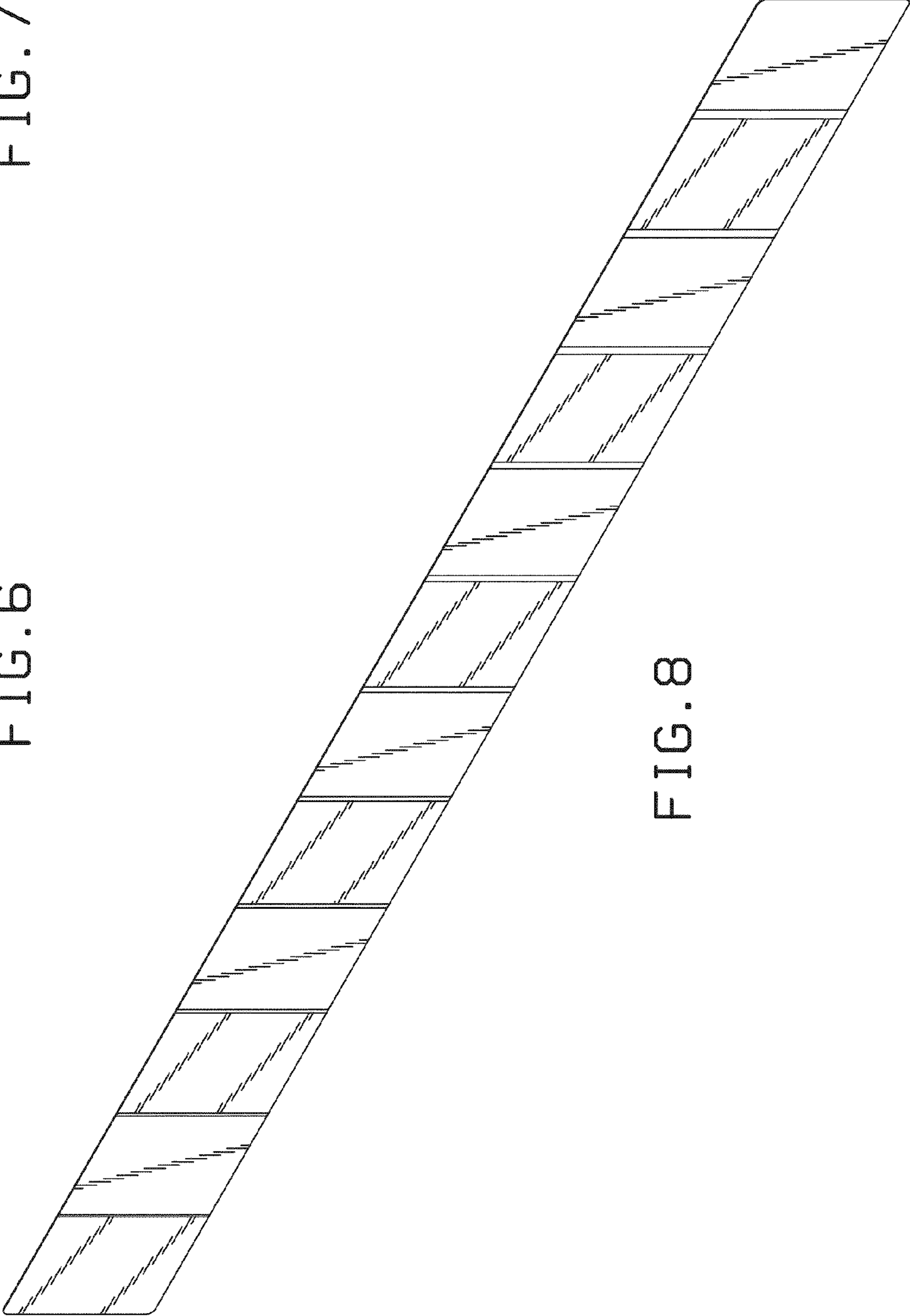


FIG. 8

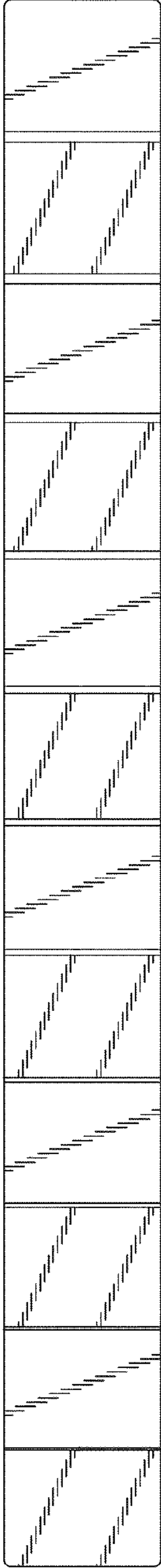


FIG. 9

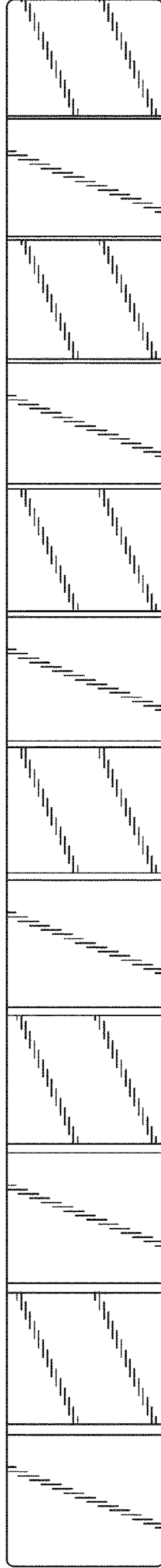


FIG. 10



FIG. 11



FIG. 12