



US00D631910S

(12) **United States Design Patent**  
**Irwin, Jr.**

(10) **Patent No.:** **US D631,910 S**  
(45) **Date of Patent:** **\*\* Feb. 1, 2011**

(54) **DATA CARD**

(75) Inventor: **Joseph Lee Irwin, Jr.**, Newark, DE (US)

(73) Assignee: **Bank of America Corporation**,  
Charlotte, NC (US)

(\*\*) Term: **14 Years**

(21) Appl. No.: **29/367,954**

(22) Filed: **Aug. 16, 2010**

(51) **LOC (9) Cl.** ..... **19-01**

(52) **U.S. Cl.** ..... **D19/1**

(58) **Field of Classification Search** ..... D19/9-12;  
D14/436-437; D20/40; 235/380, 382, 435-436,  
235/449, 454, 468, 469, 488, 491-493; 283/82,  
283/99, 107, 904, 70, 72, 74, 75; 360/2;  
428/916

See application file for complete search history.

(56) **References Cited**

U.S. PATENT DOCUMENTS

D447,515 S *	9/2001	Faenza et al.	.....	D19/10
D453,517 S *	2/2002	Pentz	.....	D14/436
D456,814 S *	5/2002	Pentz	.....	D14/436
D460,454 S *	7/2002	Pentz	.....	D14/436
D460,455 S *	7/2002	Pentz	.....	D14/436
D462,965 S *	9/2002	Pentz	.....	D14/436
D464,355 S *	10/2002	Burke	.....	D14/436

D498,788 S *	11/2004	Lubking	.....	D19/10
D516,563 S *	3/2006	Hart et al.	.....	D14/436
D560,717 S *	1/2008	Robertson et al.	.....	D19/10
D623,190 S *	9/2010	Trujillo	.....	D14/436

\* cited by examiner

*Primary Examiner*—Ian Simmons

*Assistant Examiner*—Abraham Bahta

(74) *Attorney, Agent, or Firm*—Michael A. Springs; Moore & Van Allen PLLC

(57) **CLAIM**

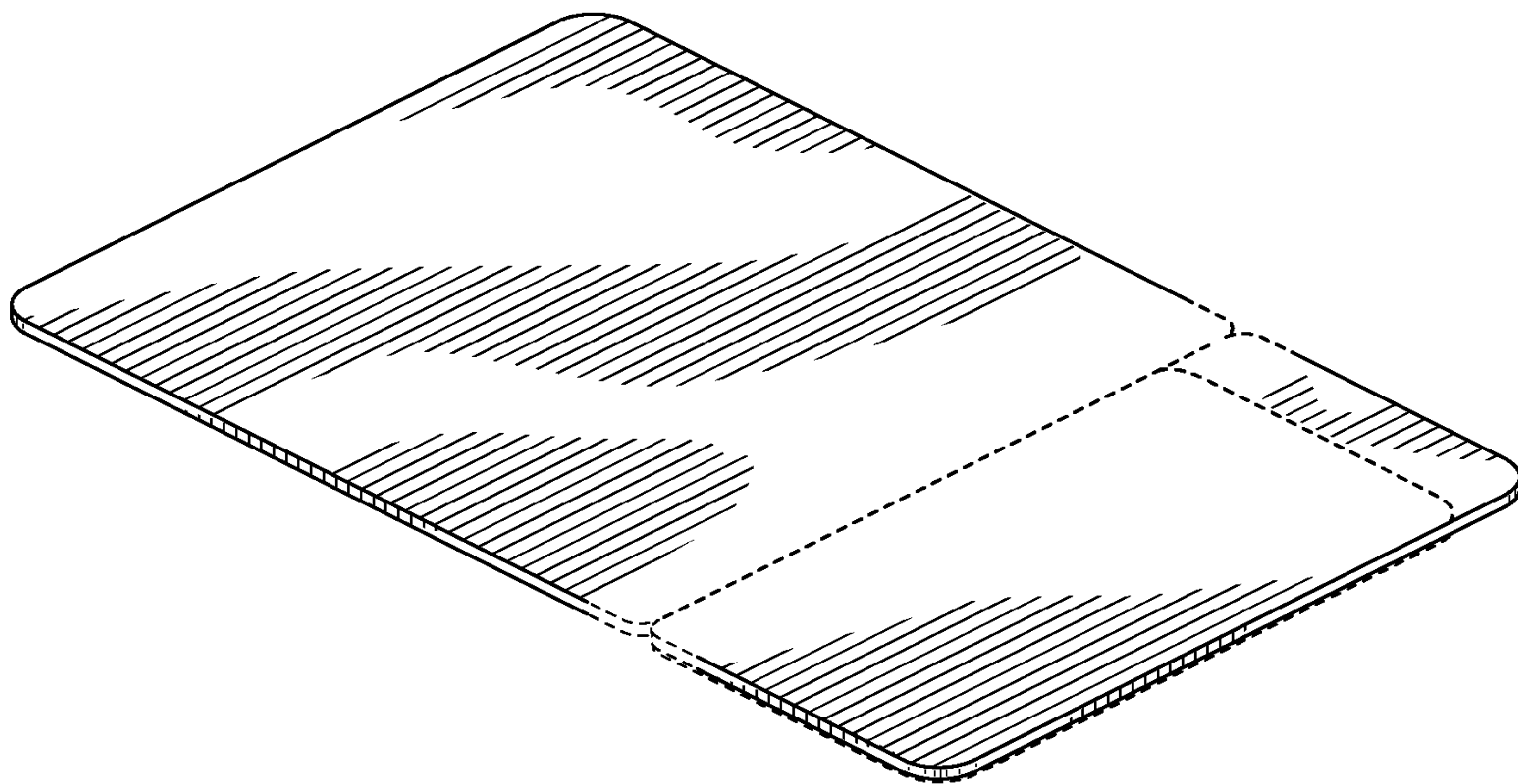
The ornamental design for a data card, as shown and described.

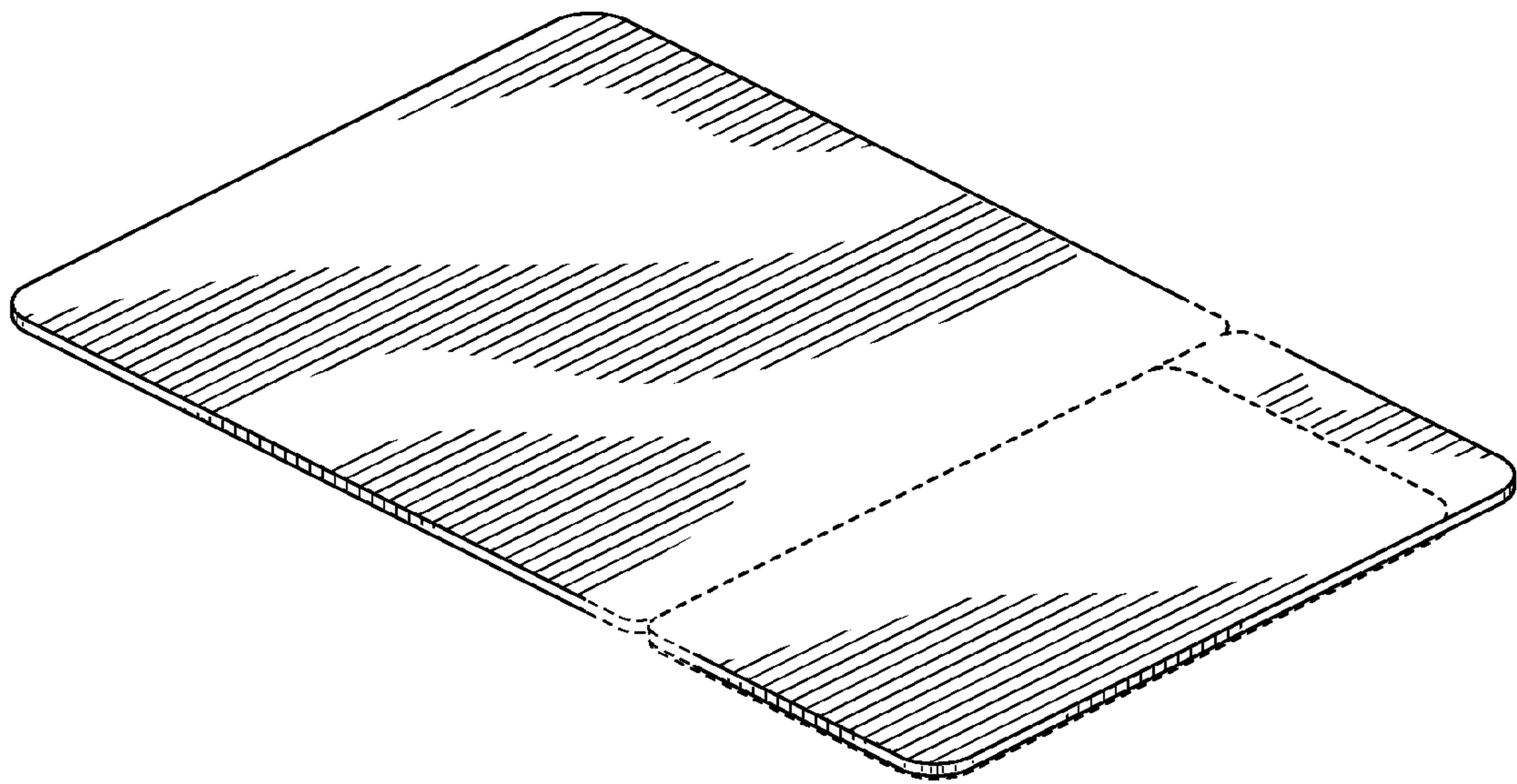
**DESCRIPTION**

- FIG. 1 is a perspective view of the data card;
- FIG. 2 is plan view of the front side of the data card;
- FIG. 3 is a plan view of the back side of the data card;
- FIG. 4 is a side view of the data card;
- FIG. 5 is a side view of the data card;
- FIG. 6 is a side view of the data card; and,
- FIG. 7 is a side view of the data card.

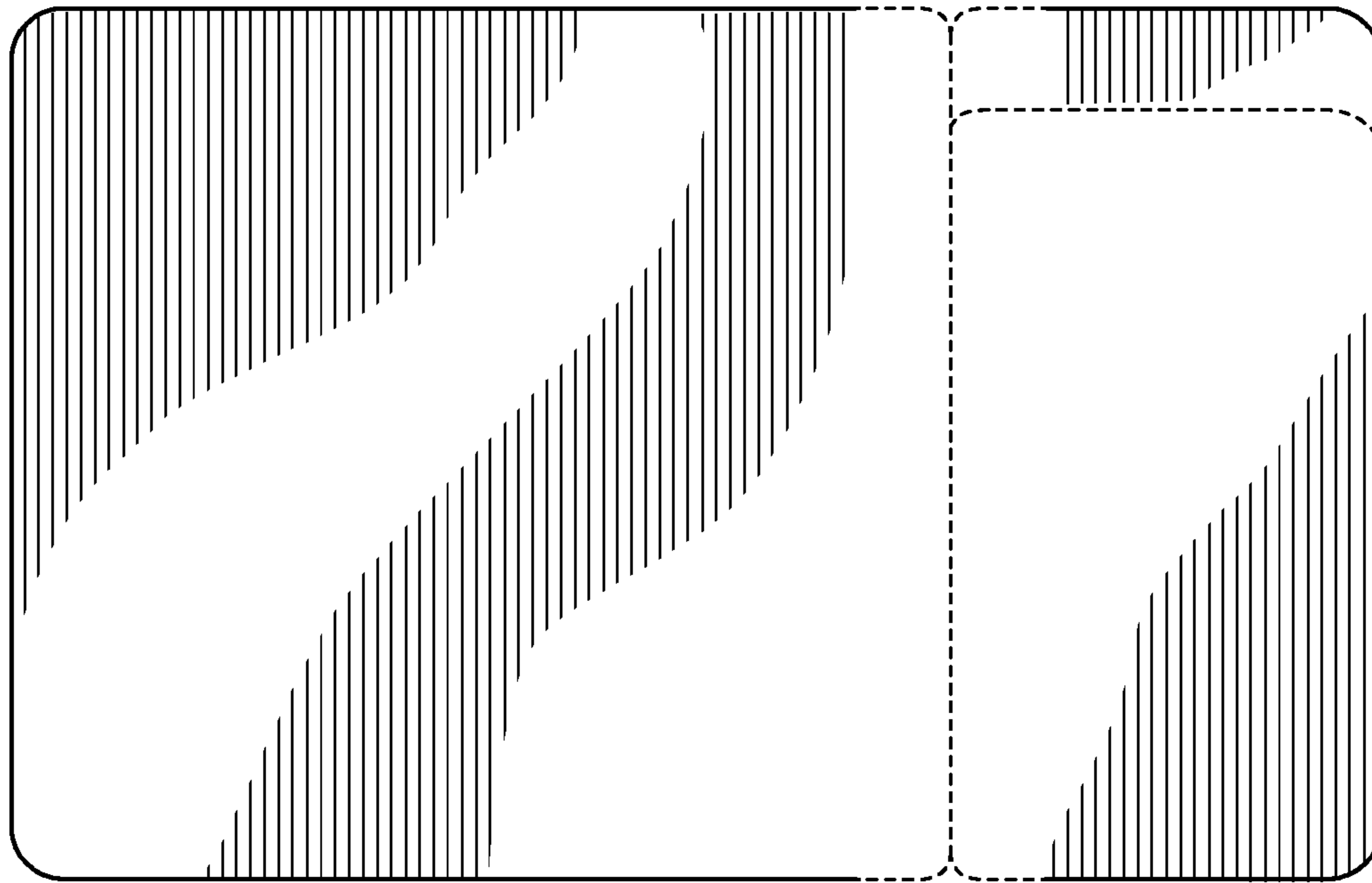
The broken line showing of portions of the data card is included for the purpose of illustrating environmental structure and forms no part of the claimed design.

**1 Claim, 3 Drawing Sheets**

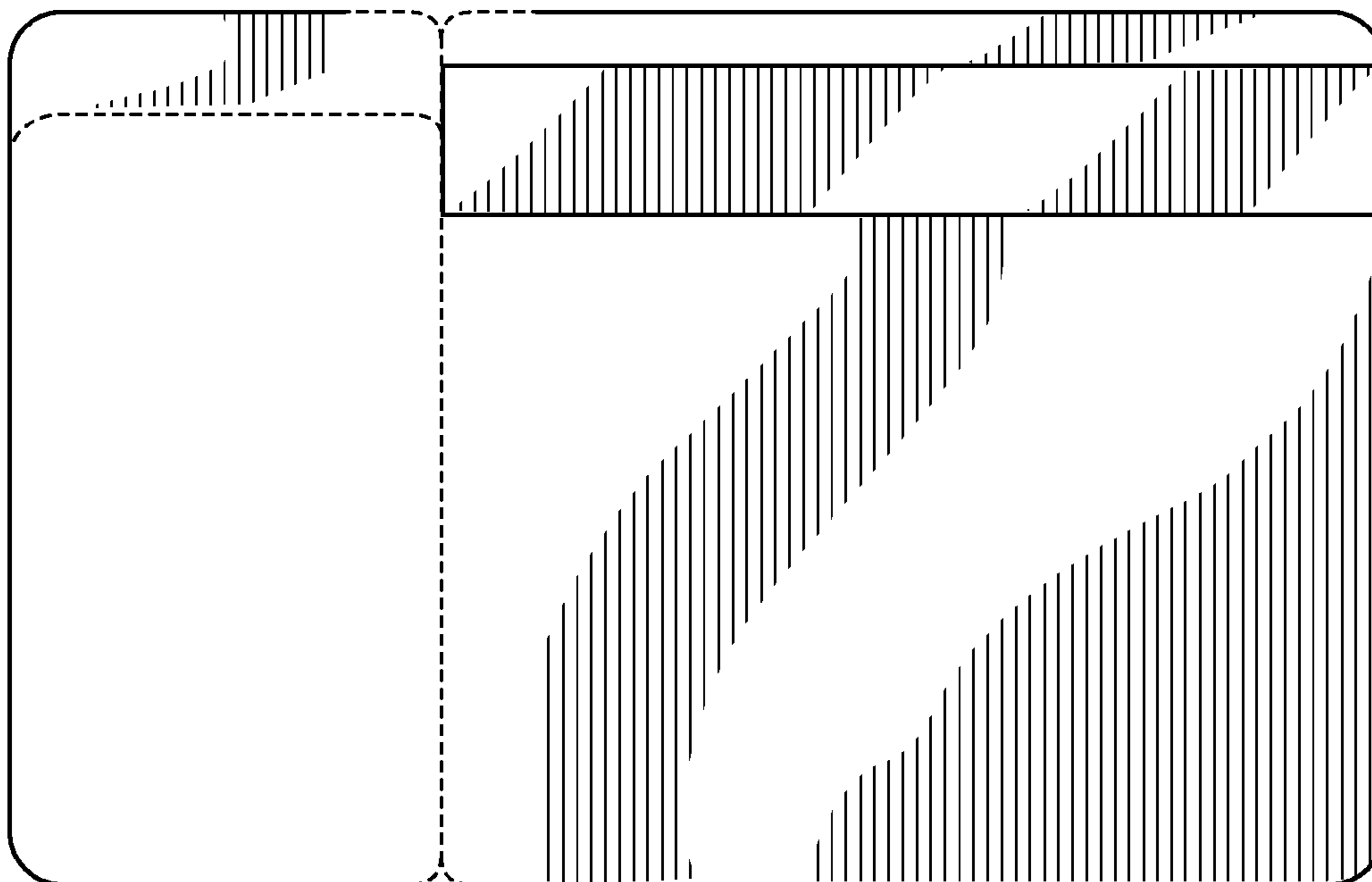




**FIG. 1**



**FIG. 2**



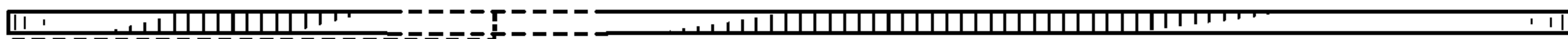
**FIG. 3**



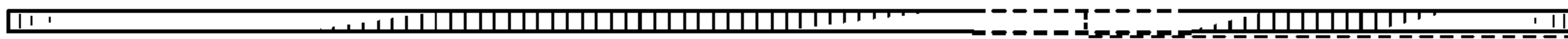
**FIG. 4**



**FIG. 5**



**FIG. 6**



**FIG. 7**