



US00D631905S

(12) **United States Design Patent**  
**Sandell**

(10) **Patent No.:** **US D631,905 S**

(45) **Date of Patent:** **\*\* Feb. 1, 2011**

(54) **CLAMP LOCK FOR EXTENDABLE TRIPOD**

(75) Inventor: **Donald R. Sandell**, San Jose, CA (US)

(73) Assignee: **EML Technologies LLC**, Danville, CA (US)

(\*\*) Term: **14 Years**

(21) Appl. No.: **29/346,946**

(22) Filed: **Nov. 9, 2009**

(51) **LOC (9) Cl.** ..... **16-05**

(52) **U.S. Cl.** ..... **D16/245**

(58) **Field of Classification Search** ..... D8/349,  
D8/355; D16/237, 242, 244, 245; 248/163.1,  
248/171, 187.1; 396/419, 425, 428  
See application file for complete search history.

(56) **References Cited**

**U.S. PATENT DOCUMENTS**

- 2,194,800 A \* 3/1940 Ley ..... 248/171
- D280,908 S \* 10/1985 Nakatani ..... D16/245
- D344,970 S \* 3/1994 Hanke ..... D16/245
- D450,339 S \* 11/2001 Eason ..... D16/244
- 7,032,494 B2 \* 4/2006 Wygant ..... 248/171

D600,737 S \* 9/2009 Sudhana ..... D16/244

\* cited by examiner

*Primary Examiner*—Adir Aronovich

(74) *Attorney, Agent, or Firm*—Elliot B. Aronson

(57) **CLAIM**

The ornamental design for a clamp lock for extendable tripod, as shown and described.

**DESCRIPTION**

FIG. 1 is a perspective view of a clamp lock for extendable tripod showing my new design with a fragmentary portion of the tripod shown in broken lines;

FIG. 2 is a front elevational view of the clamp lock of FIG. 1;

FIG. 3 is a rear elevational view of the clamp lock of FIG. 1;

FIG. 4 is a left side elevational view of the clamp lock of FIG. 1;

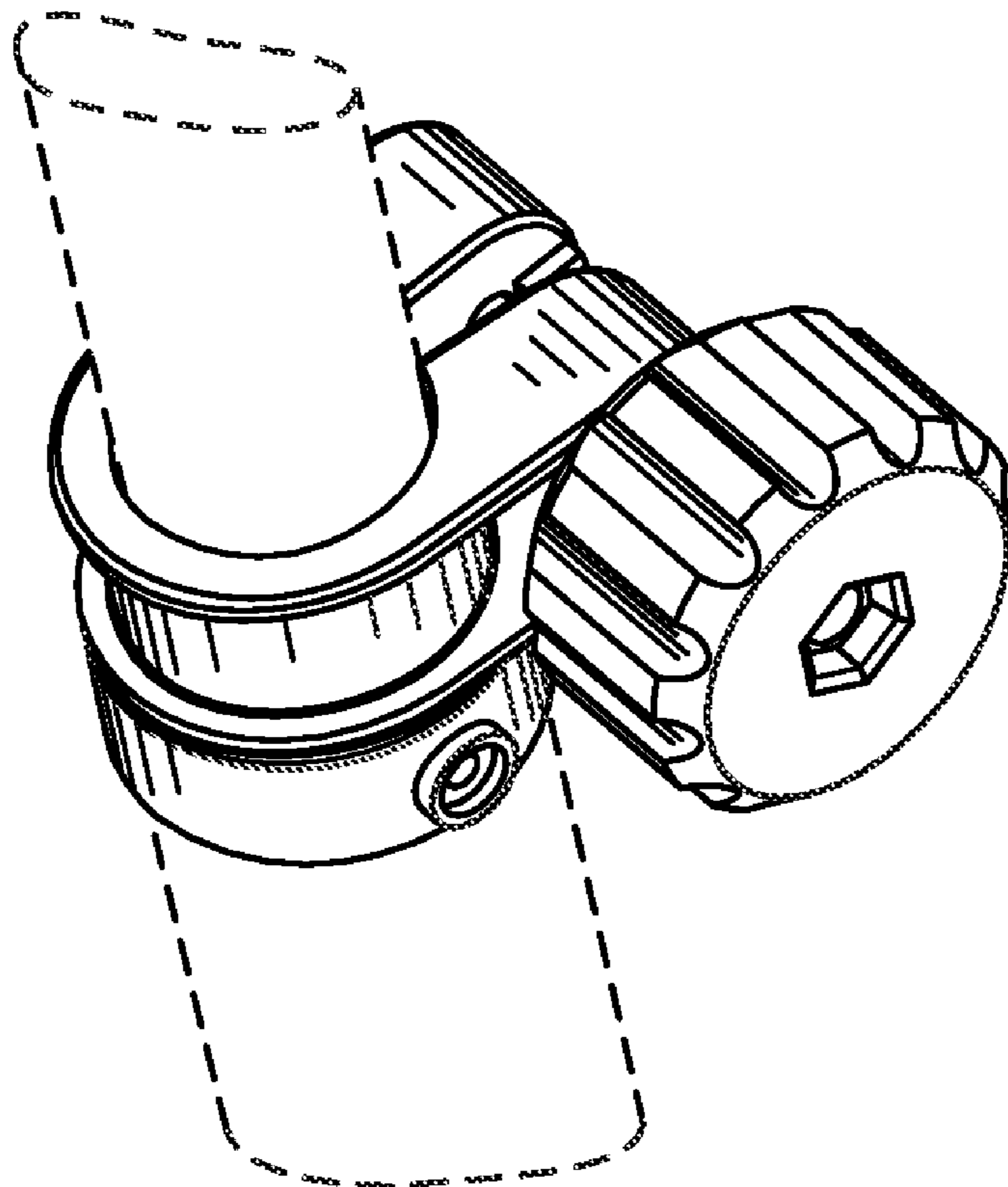
FIG. 5 is a right side elevational view of the clamp lock of FIG. 1;

FIG. 6 is a top plan view of the clamp lock of FIG. 1; and,

FIG. 7 is a bottom plan view of the clamp lock of FIG. 1.

The broken lines in the Figures are shown for illustrative purposes only and do not form part of the claimed design.

**1 Claim, 2 Drawing Sheets**



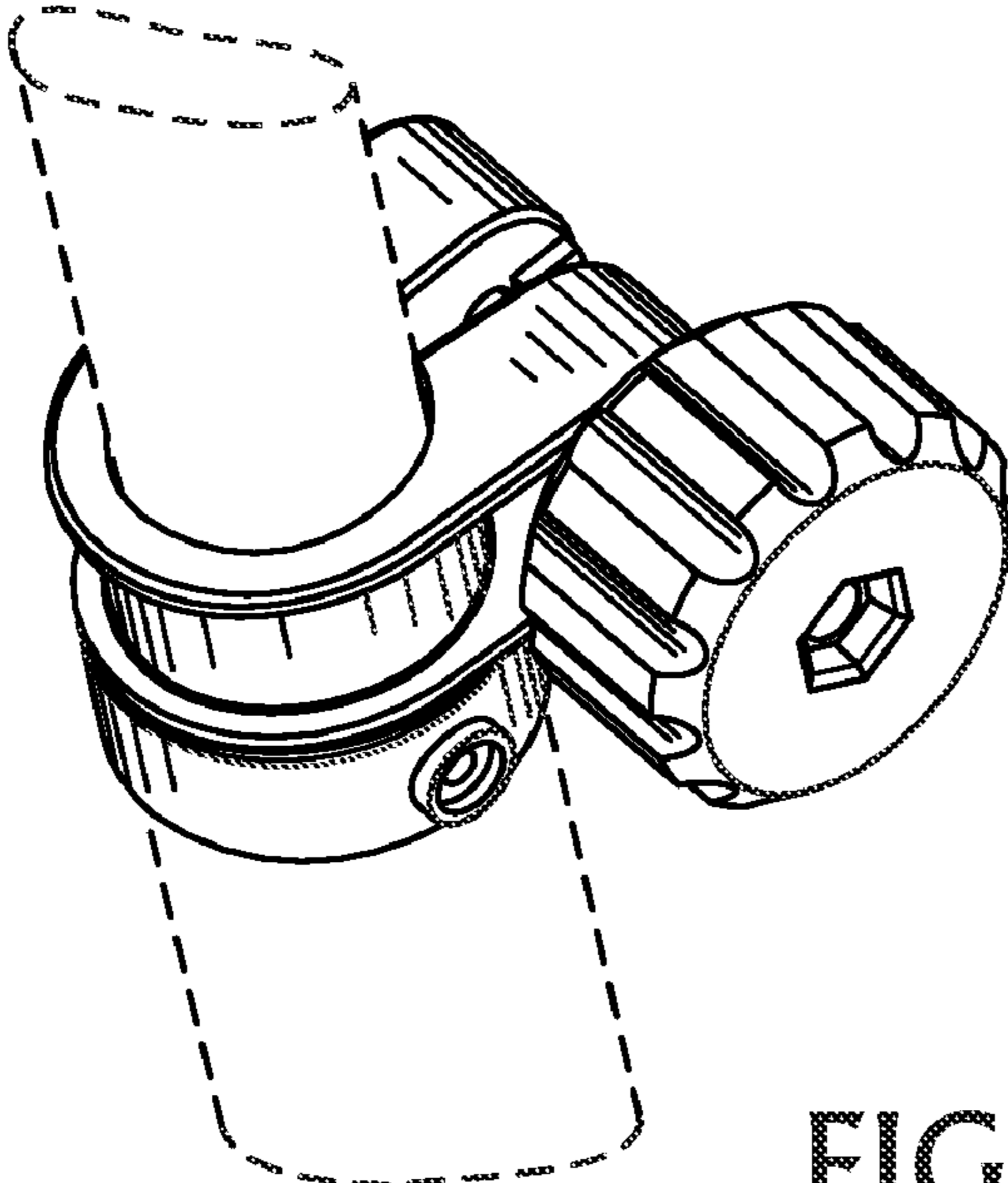


FIG. 1

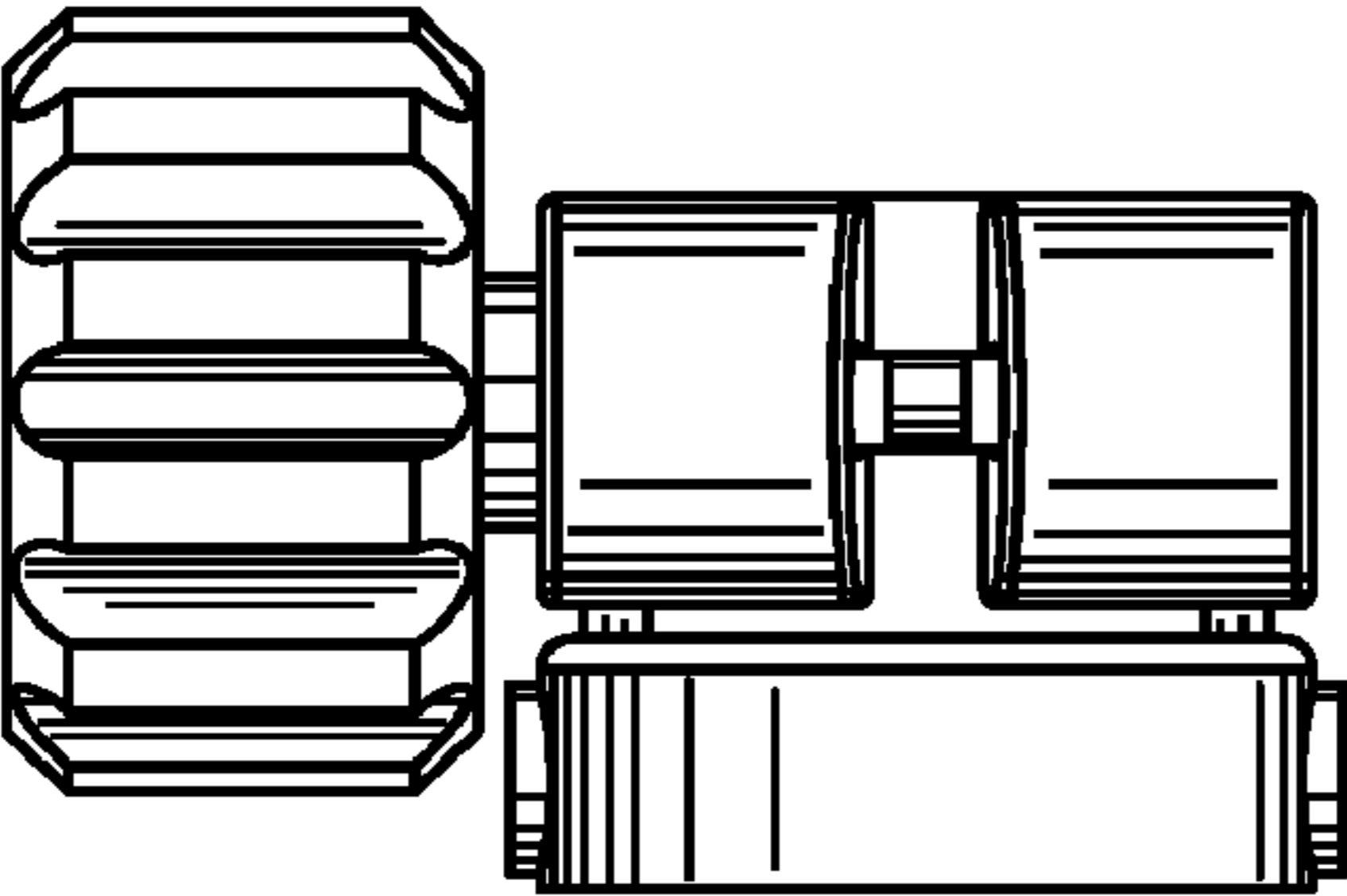


FIG. 2

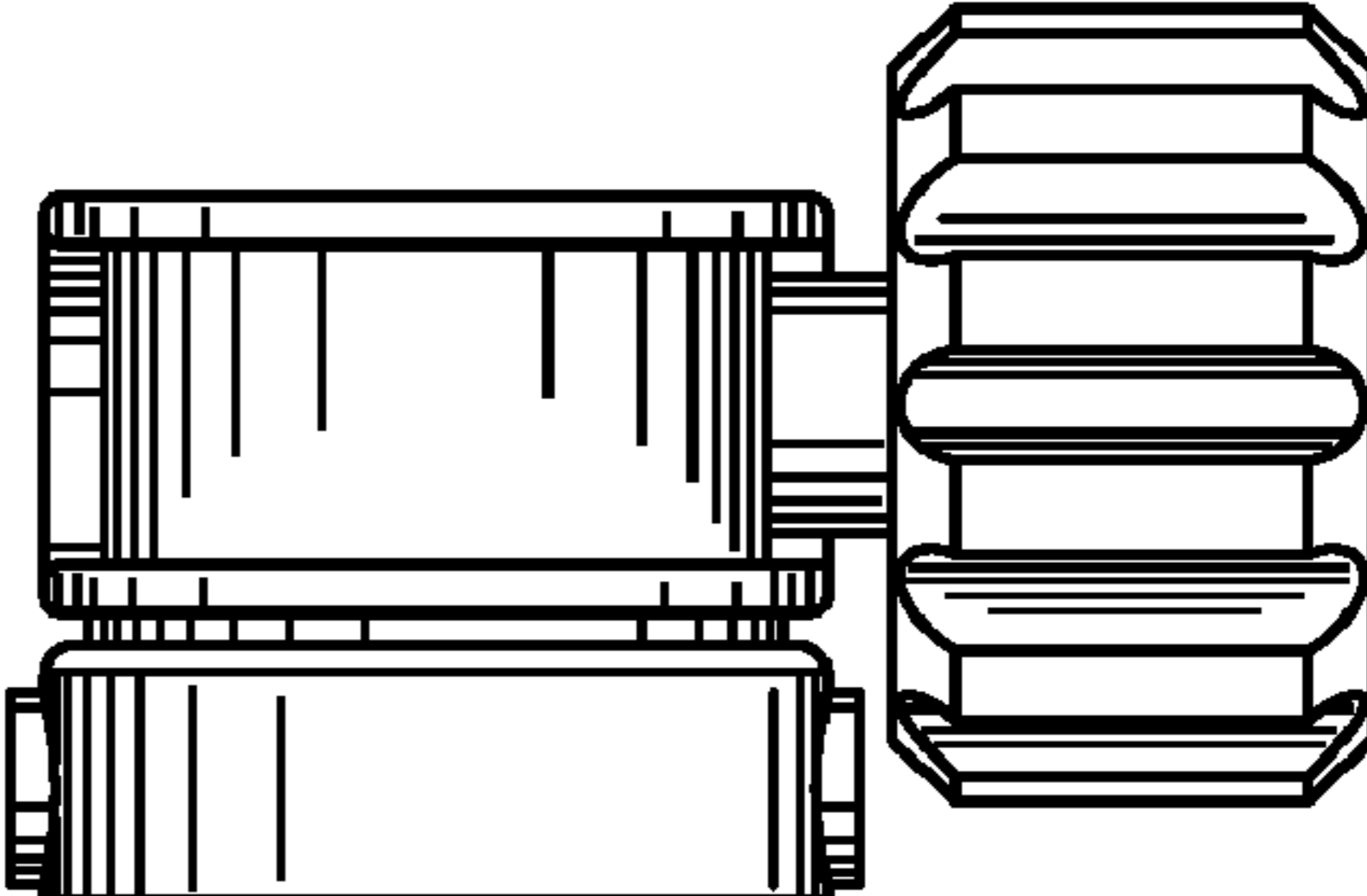


FIG. 3

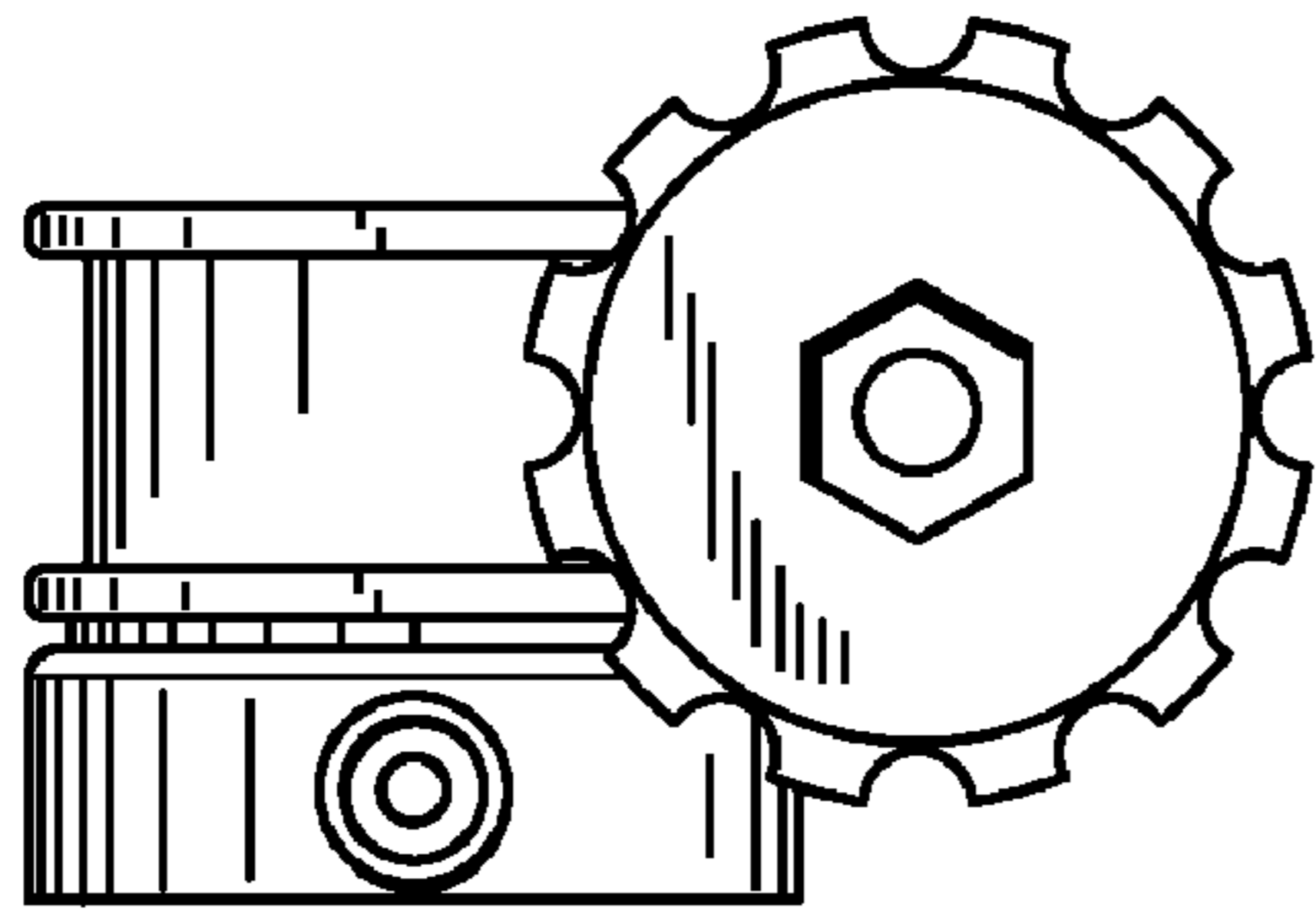


FIG. 4

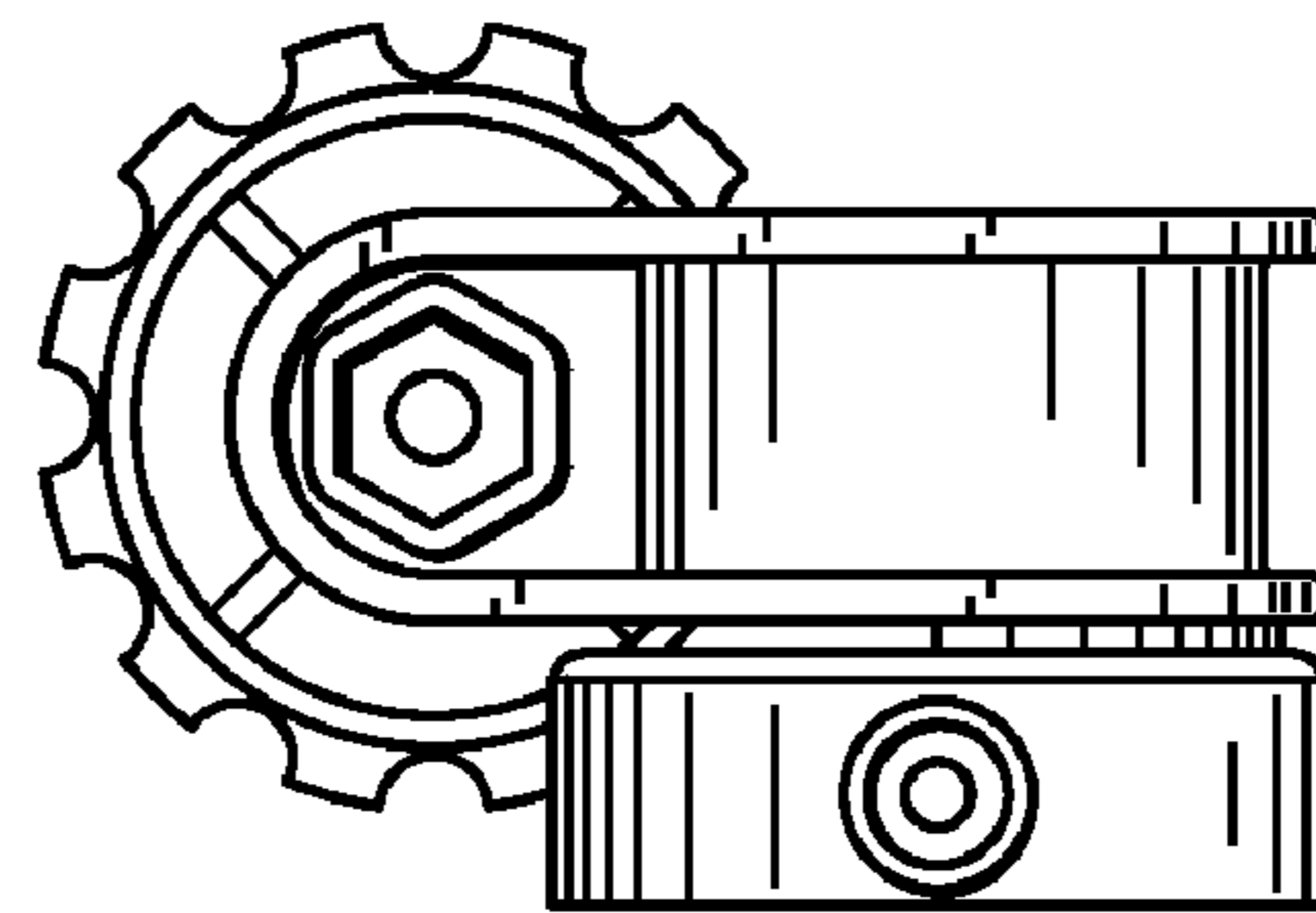


FIG. 5

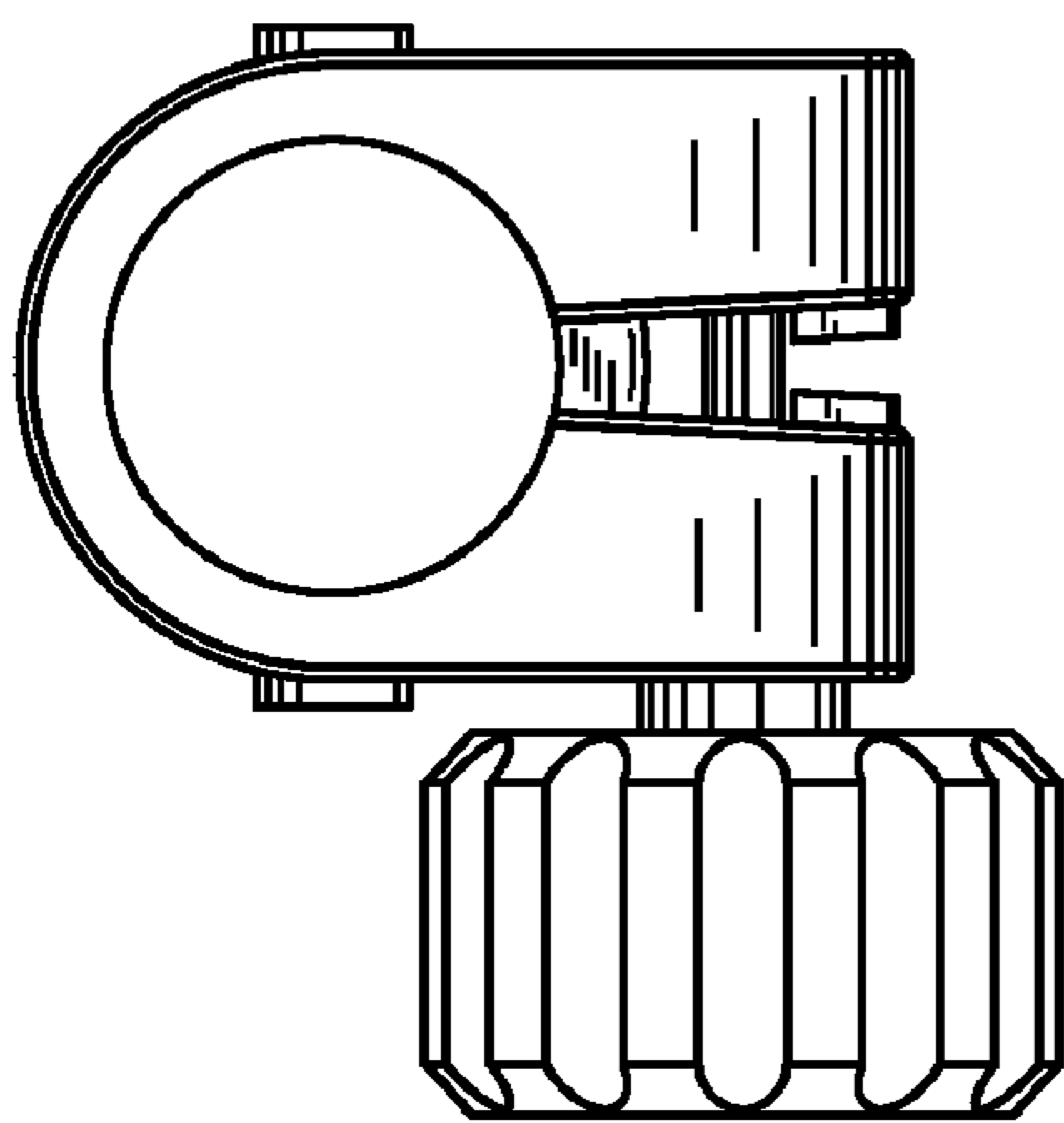


FIG. 6

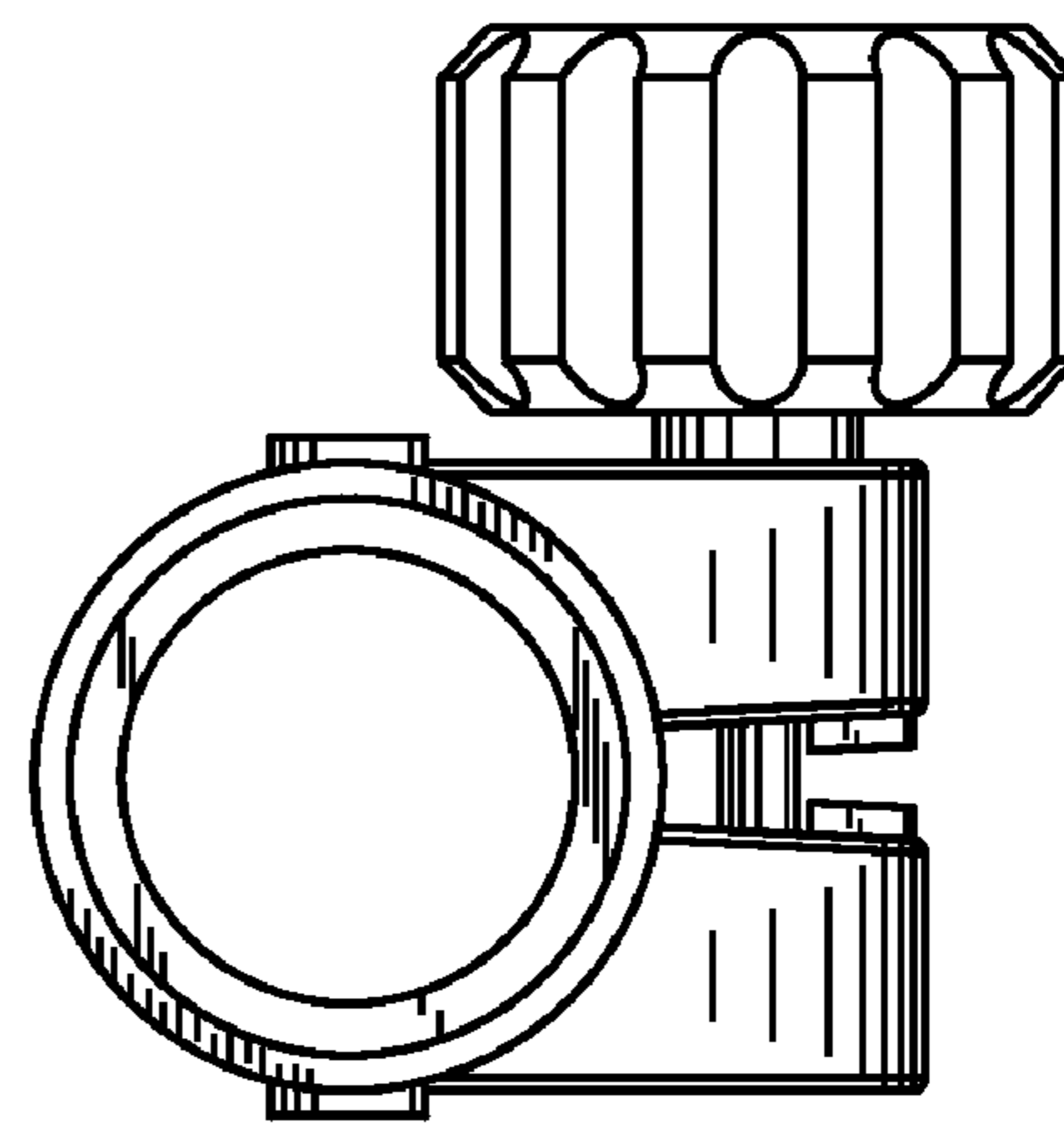


FIG. 7