



US00D631904S

(12) **United States Design Patent**
Kim et al.

(10) **Patent No.:** **US D631,904 S**
(45) **Date of Patent:** **** Feb. 1, 2011**

(54) **PROJECTOR**

(75) Inventors: **Jae-Hyung Kim**, Gwangjoo-Si (KR);
Bo-Kyung Seong, Seoul (KR);
Jin-Wook Kim, Gimcheon-si (KR)

(73) Assignee: **Samsung Electronics Co., Ltd.** (KR)

(**) Term: **14 Years**

(21) Appl. No.: **29/359,764**

(22) Filed: **Apr. 15, 2010**

(30) **Foreign Application Priority Data**

Feb. 26, 2010 (KR) 30-2010-0008498

(51) **LOC (9) Cl.** **16-02**

(52) **U.S. Cl.** **D16/230; D16/225**

(58) **Field of Classification Search** D16/205,
D16/208, 221, 225, 230-231, 234; D21/514;
353/115, 119, 122

See application file for complete search history.

(56) **References Cited**

U.S. PATENT DOCUMENTS

D442,983 S * 5/2001 Goto et al. D16/230
D480,409 S * 10/2003 Wang et al. D16/230
D488,179 S * 4/2004 Salvatori et al. D16/230

6,869,192 B2 * 3/2005 Hamada 353/101
D523,058 S * 6/2006 On et al. D16/230
D531,654 S * 11/2006 Lin et al. D16/230
D545,865 S * 7/2007 Azuma et al. D16/230
D555,697 S * 11/2007 Kawabe et al. D16/230
D579,476 S * 10/2008 Yamada et al. D16/230
D600,735 S * 9/2009 Chigira et al. D16/225
D616,010 S * 5/2010 Song et al. D16/230

* cited by examiner

Primary Examiner—Ian Simmons

Assistant Examiner—Wan Laymon

(74) *Attorney, Agent, or Firm*—NSIP Law

(57) **CLAIM**

The ornamental design for a projector, as shown and described.

DESCRIPTION

FIG. 1 is a perspective view of a projector;
FIG. 2 is a front view of the projector of FIG. 1;
FIG. 3 is a rear view of the projector of FIG. 1;
FIG. 4 is a left-side view of the projector of FIG. 1;
FIG. 5 is a right-side view of the projector of FIG. 1;
FIG. 6 is a top plan view of the projector of FIG. 1; and,
FIG. 7 is a bottom plan view of the projector of FIG. 1.

1 Claim, 4 Drawing Sheets

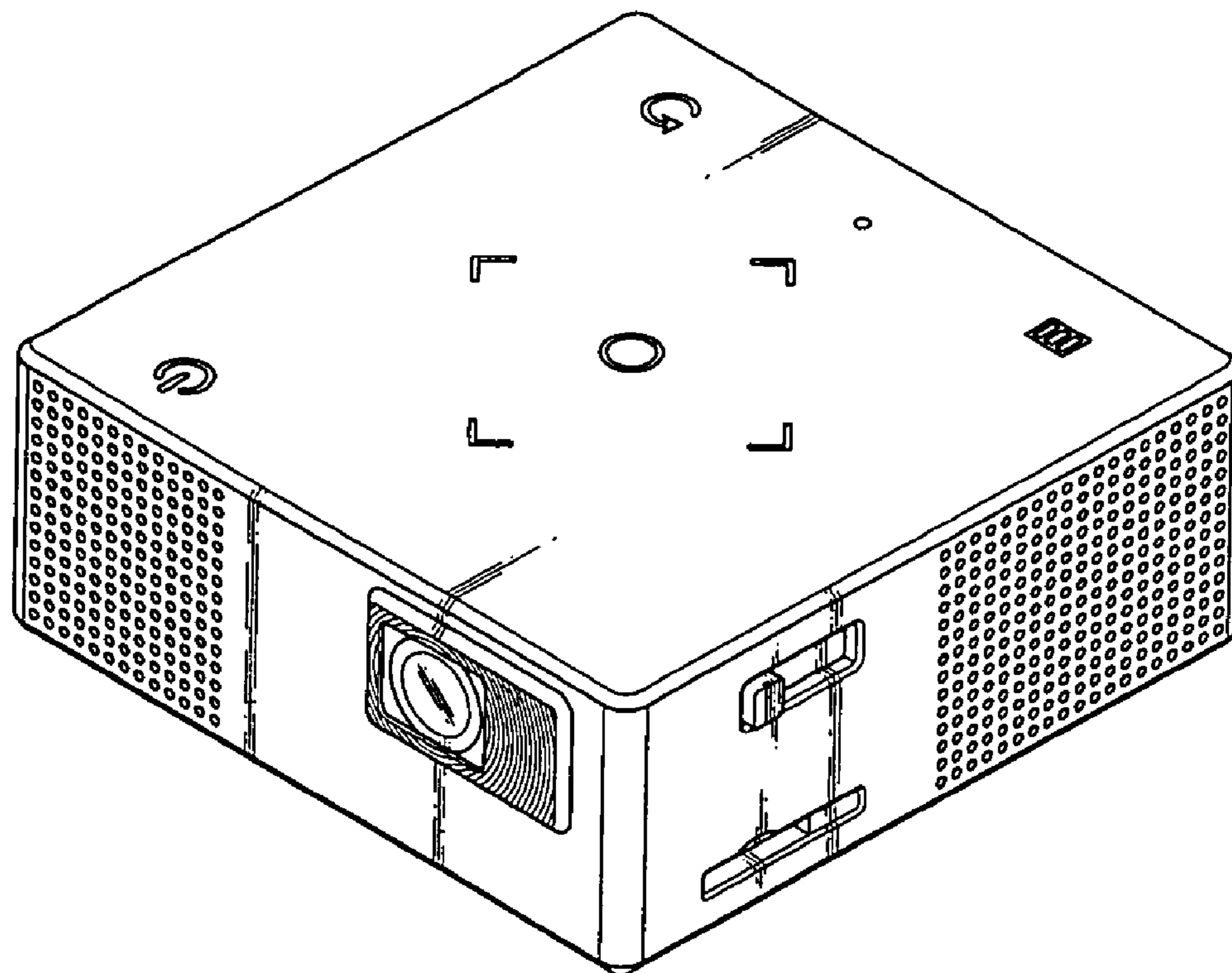


FIG. 1

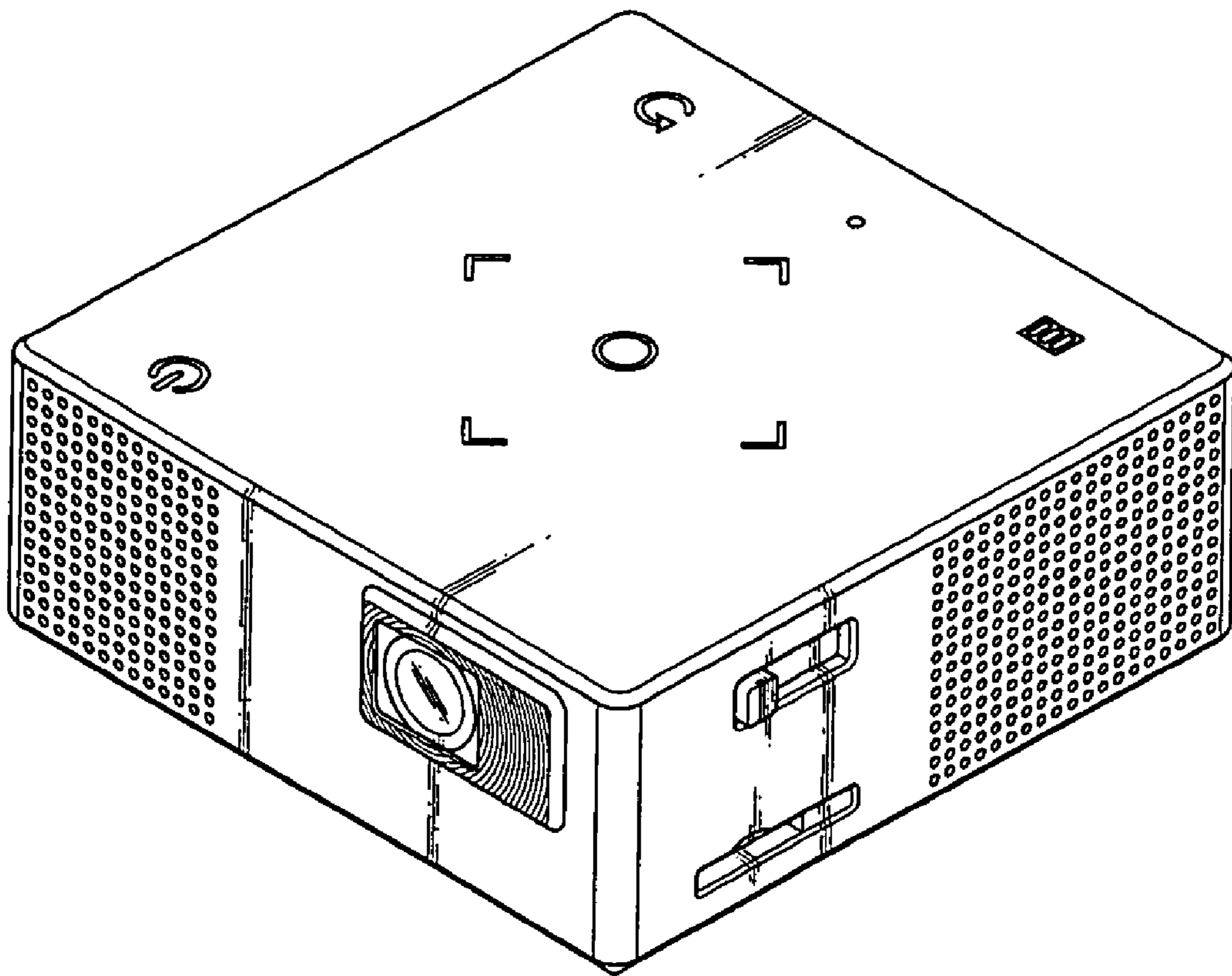


FIG. 2

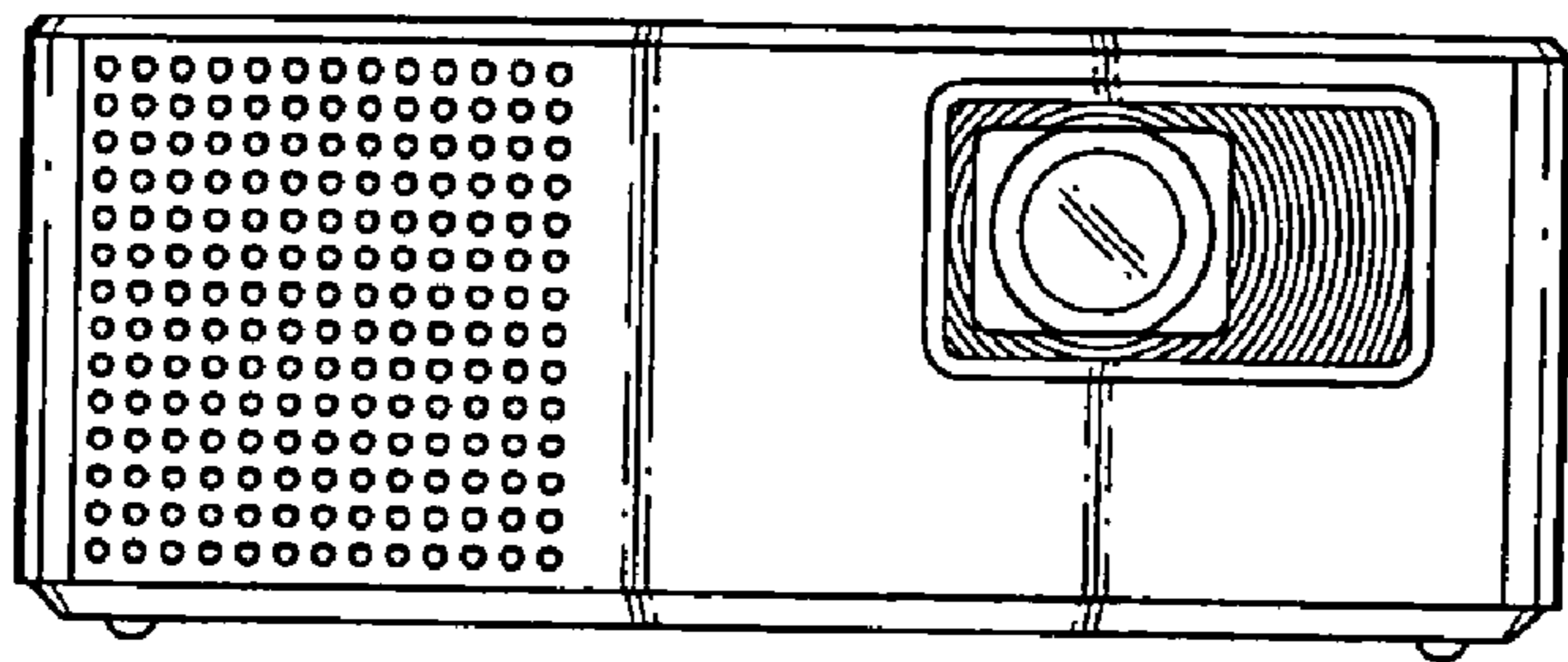


FIG. 3

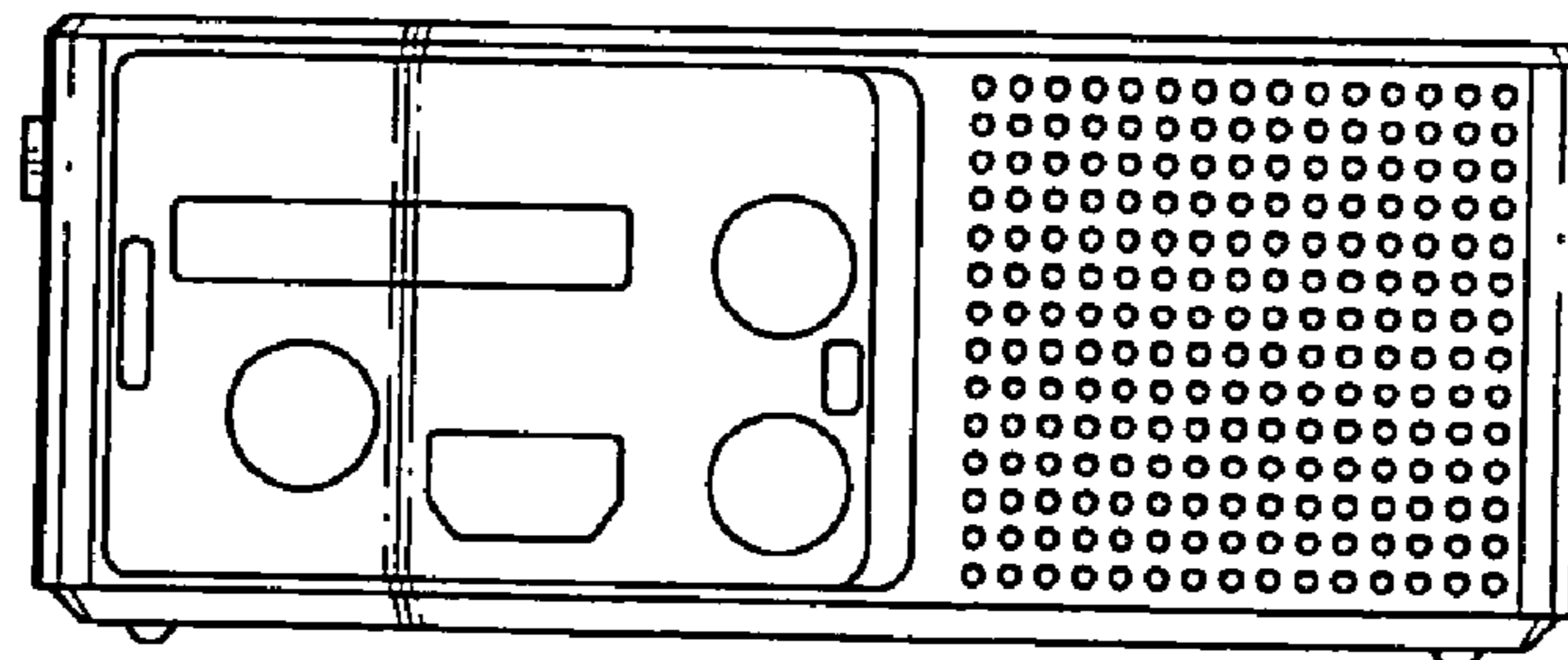


FIG. 4

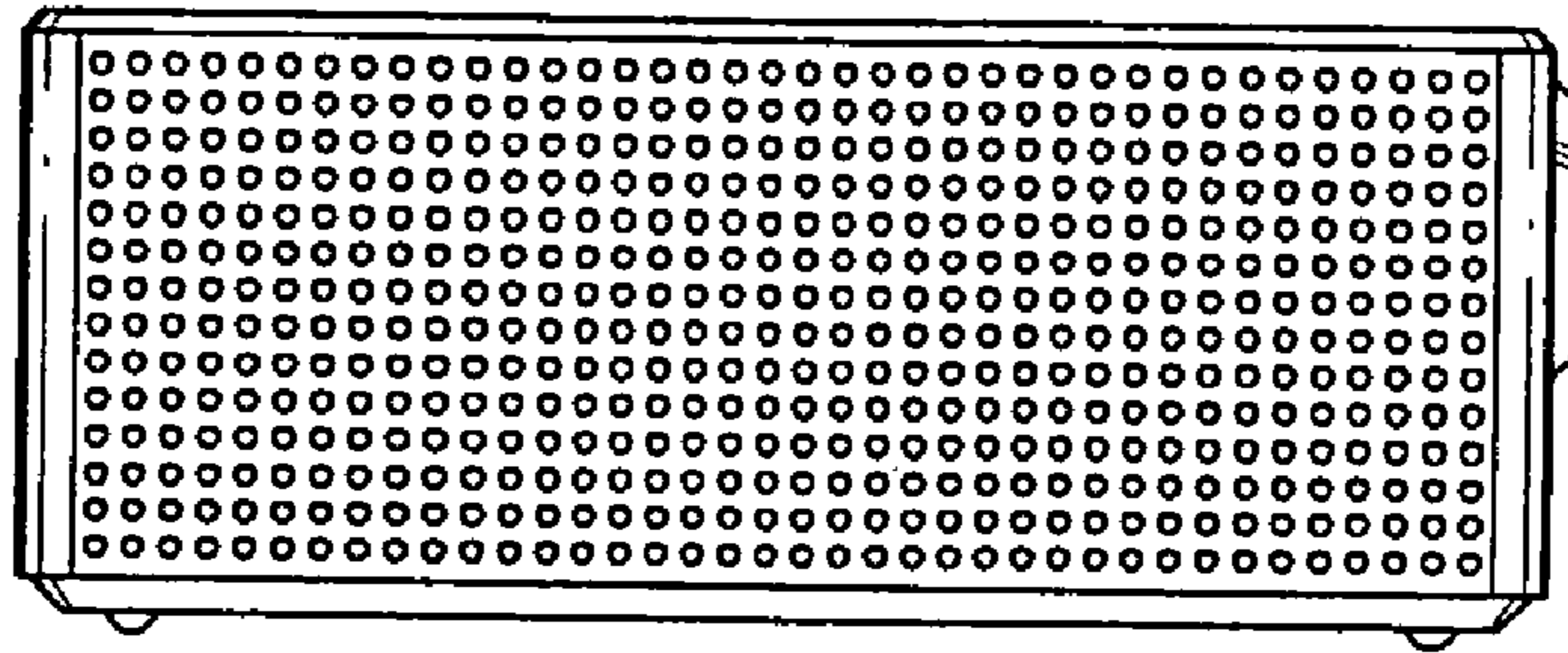


FIG. 5

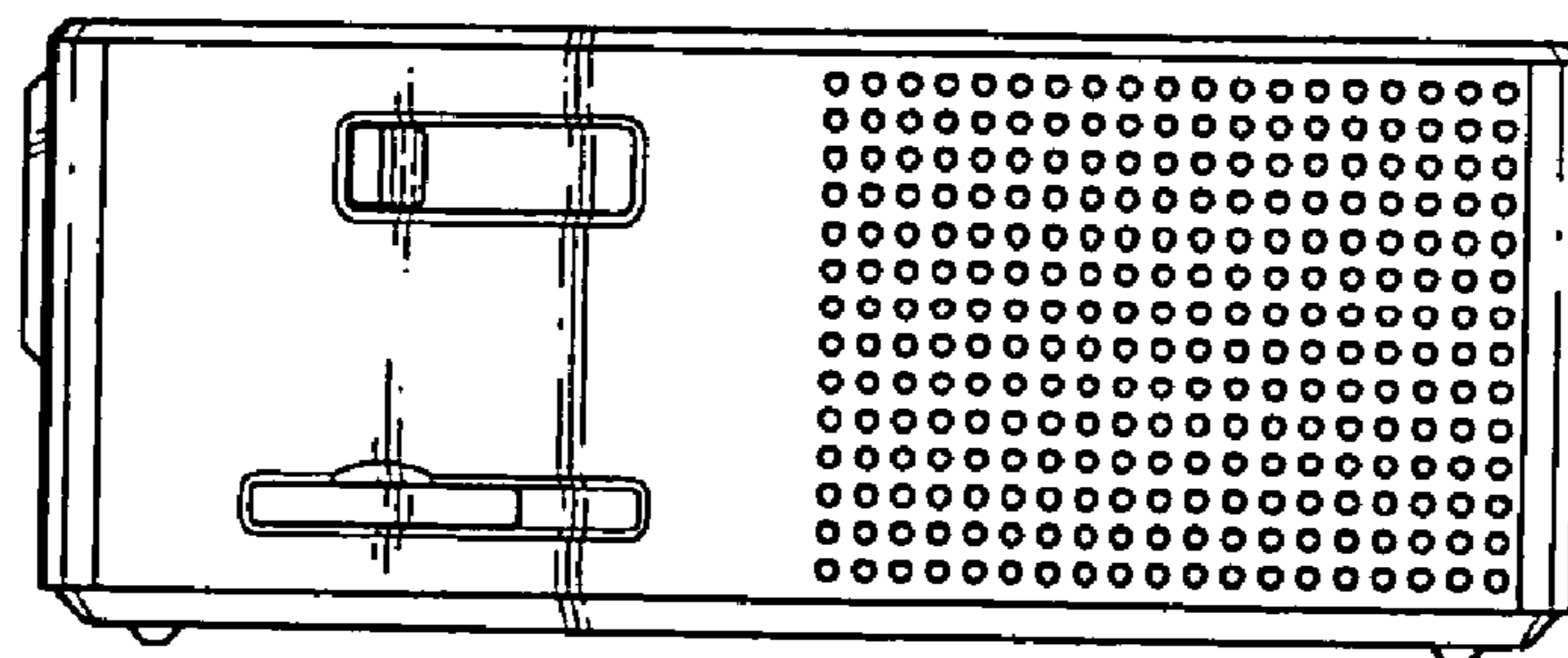


FIG. 6

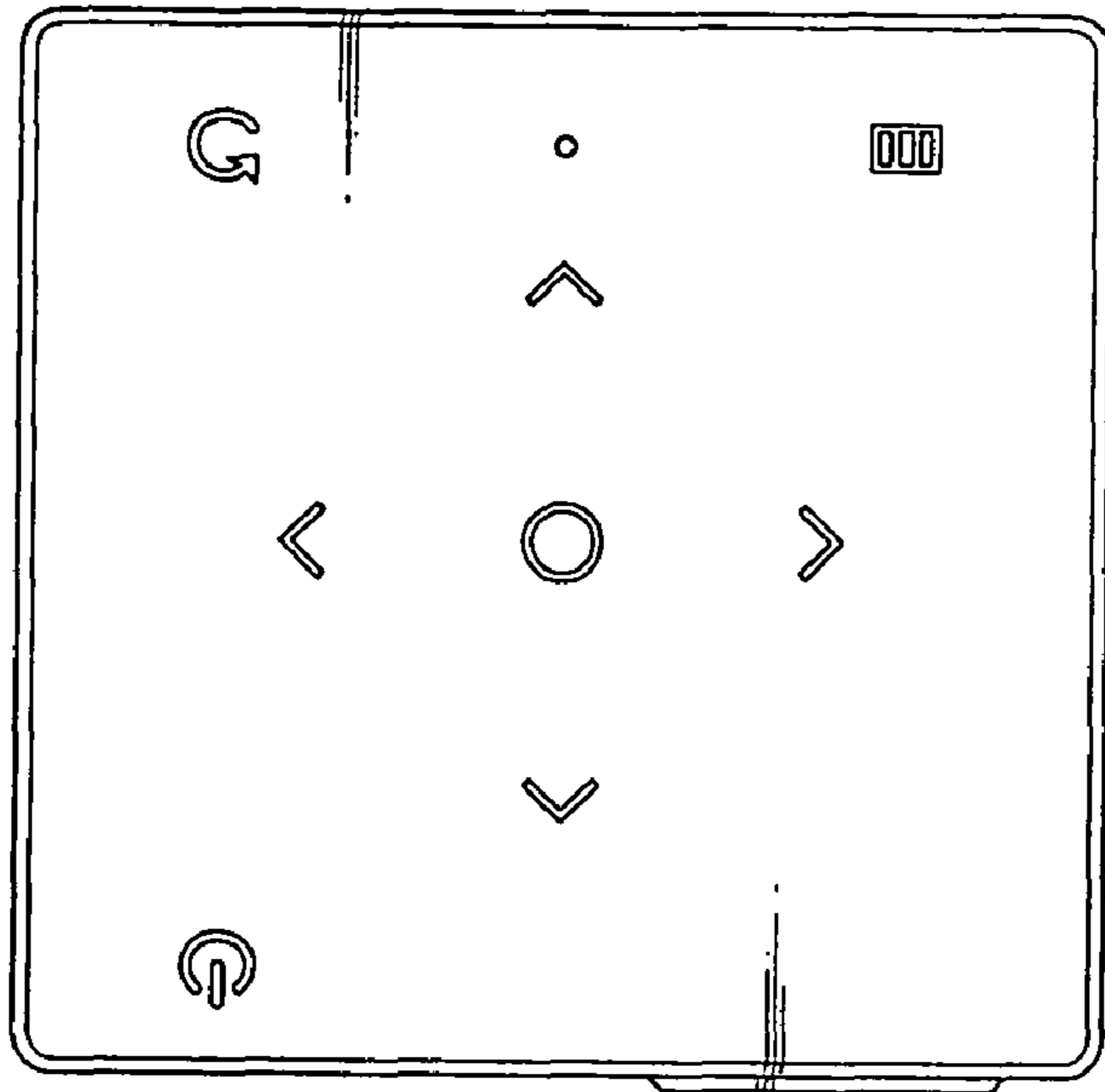


FIG. 7

