



US00D631903S

(12) **United States Design Patent**
Sugiyama

(10) **Patent No.:** **US D631,903 S**
(45) **Date of Patent:** **** Feb. 1, 2011**

(54) **VIDEO MAGNIFIER**

(75) Inventor: **Eiji Sugiyama**, Aichi (JP)

(73) Assignee: **Elmo Co., Ltd.**, Aichi (JP)

(**) Term: **14 Years**

(21) Appl. No.: **29/357,763**

(22) Filed: **Mar. 17, 2010**

(51) **LOC (9) Cl.** **16-02**

(52) **U.S. Cl.** **D16/225; D16/135**

(58) **Field of Classification Search** D16/221,
D16/225, 29, 233, 200, 208, 130, 135; D10/46,
D10/75; D14/423; 348/62-63; 359/363,
359/368-369, 390, 392; 382/114, 298; 399/144
See application file for complete search history.

(56) **References Cited**

U.S. PATENT DOCUMENTS

3,816,646	A *	6/1974	Cinque	348/63
4,928,170	A *	5/1990	Soloveychik et al.	348/63
D387,080	S *	12/1997	Miyazawa	D16/225
D392,303	S *	3/1998	Hern	D16/225
D430,588	S *	9/2000	Goldberg et al.	D16/225
D470,161	S *	2/2003	Lee	D16/135
6,791,600	B1 *	9/2004	Chan	348/63
D503,944	S *	4/2005	Adachi et al.	D16/130
D559,298	S *	1/2008	Sukenari et al.	D16/221
7,336,295	B2 *	2/2008	Sukenari et al.	348/63
7,701,481	B2 *	4/2010	Mizukami et al.	348/63
2006/0203093	A1 *	9/2006	Trulaske	348/156

2009/0059038 A1* 3/2009 Seakins et al. 348/836

FOREIGN PATENT DOCUMENTS

JP D1350822 2/2009

JP D1367582 8/2009

* cited by examiner

Primary Examiner—Ian Simmons

Assistant Examiner—Wan Laymon

(74) *Attorney, Agent, or Firm*—Posz Law Group, PLC

(57) **CLAIM**

The ornamental design for a video magnifier, as shown and described.

DESCRIPTION

FIG. 1 is a front perspective view of the video magnifier.

FIG. 2 is a front view of the video magnifier.

FIG. 3 is a rear view of the video magnifier.

FIG. 4 is a right side view of the video magnifier.

FIG. 5 is a left side view of the video magnifier.

FIG. 6 is a top plan view of the video magnifier; and,

FIG. 7 is a bottom plan view of the video magnifier.

The broken lines inside a secure member in FIGS. 3, 4, and 5 that are immediately adjacent to the claimed areas represent the bounds of the claimed design while all other broken lines including the monitor are directed to environment and are for illustrative purposes only; the broken lines form no part of the claimed design.

1 Claim, 7 Drawing Sheets

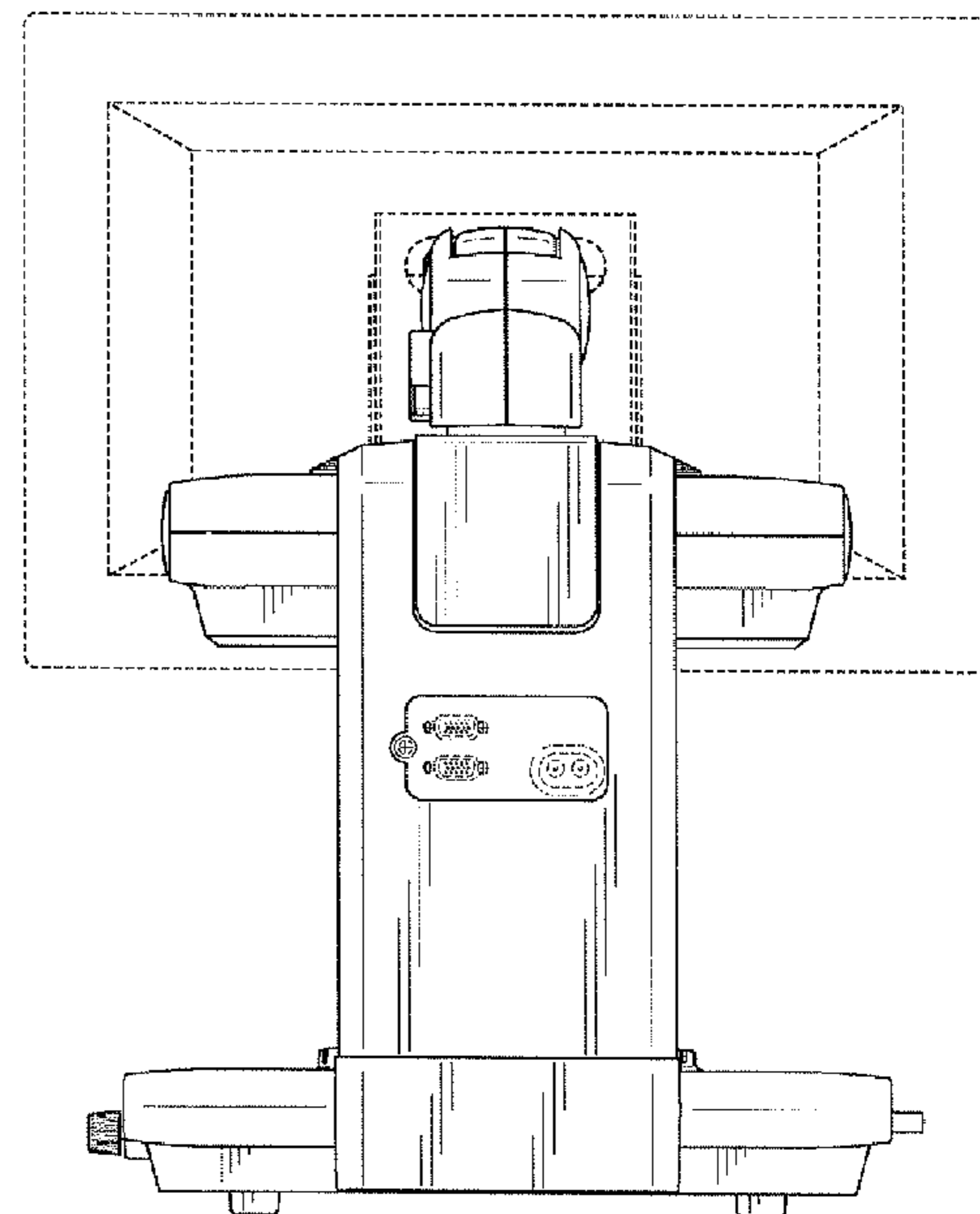
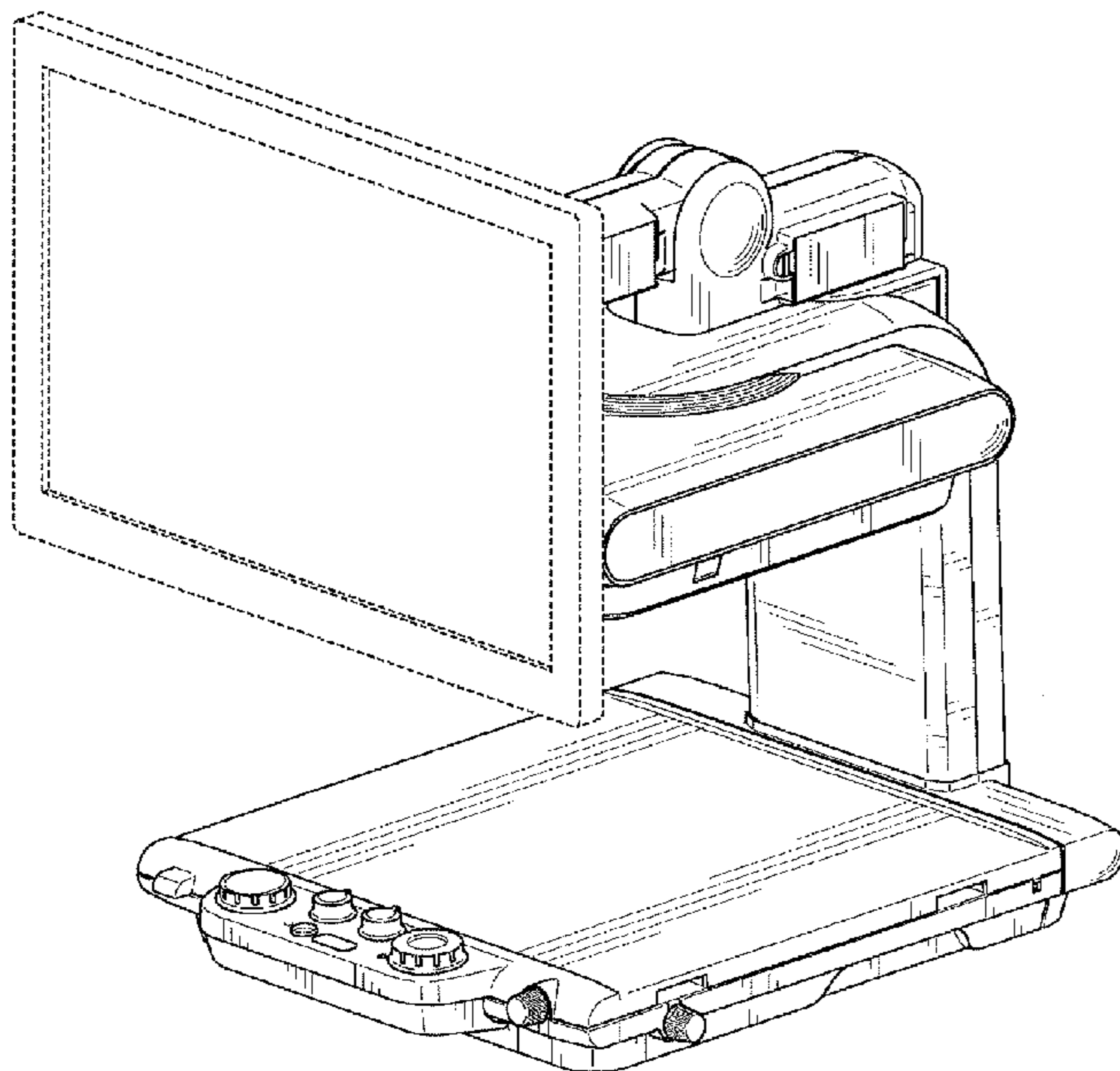


FIG. 1

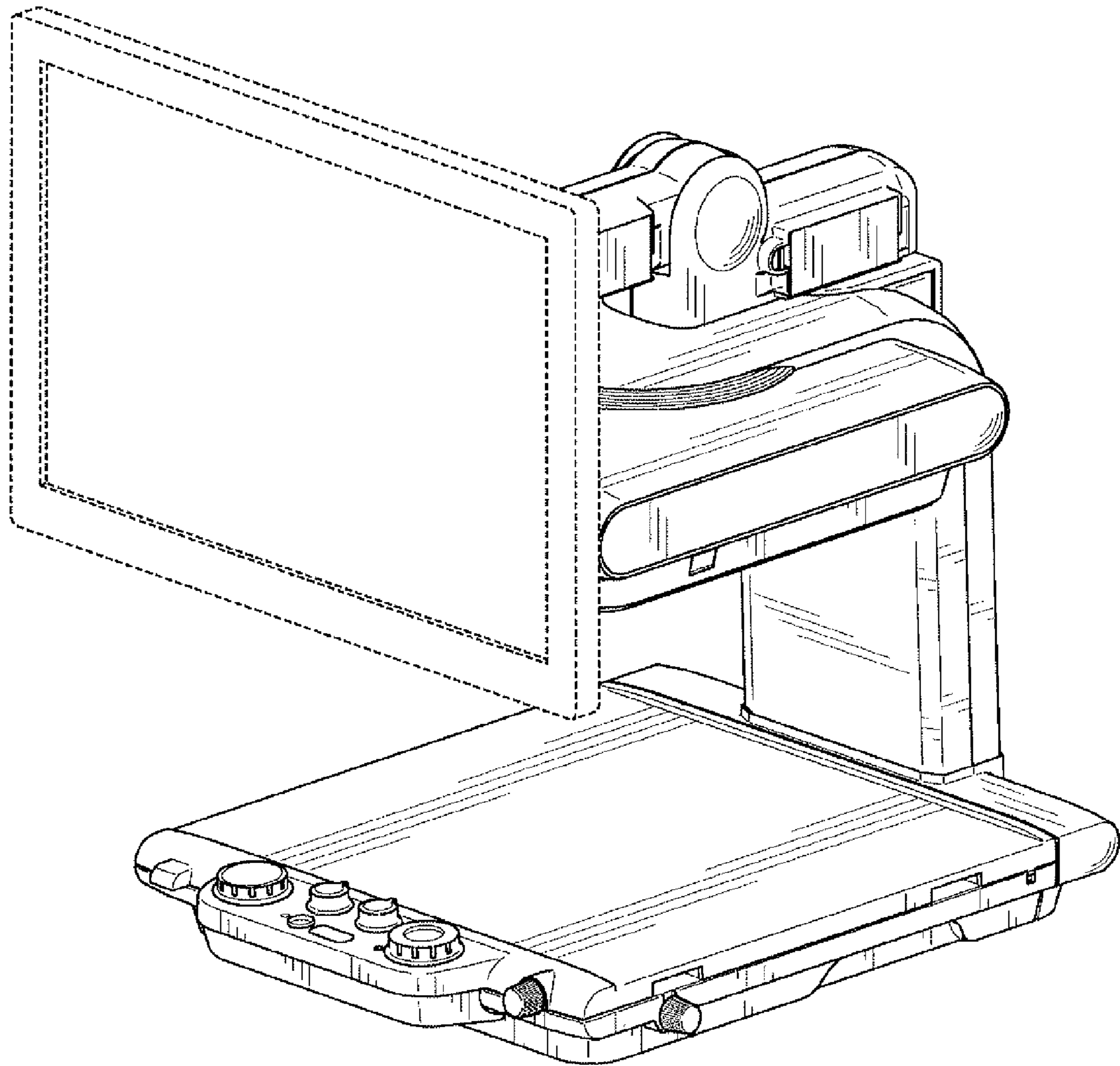


FIG. 2

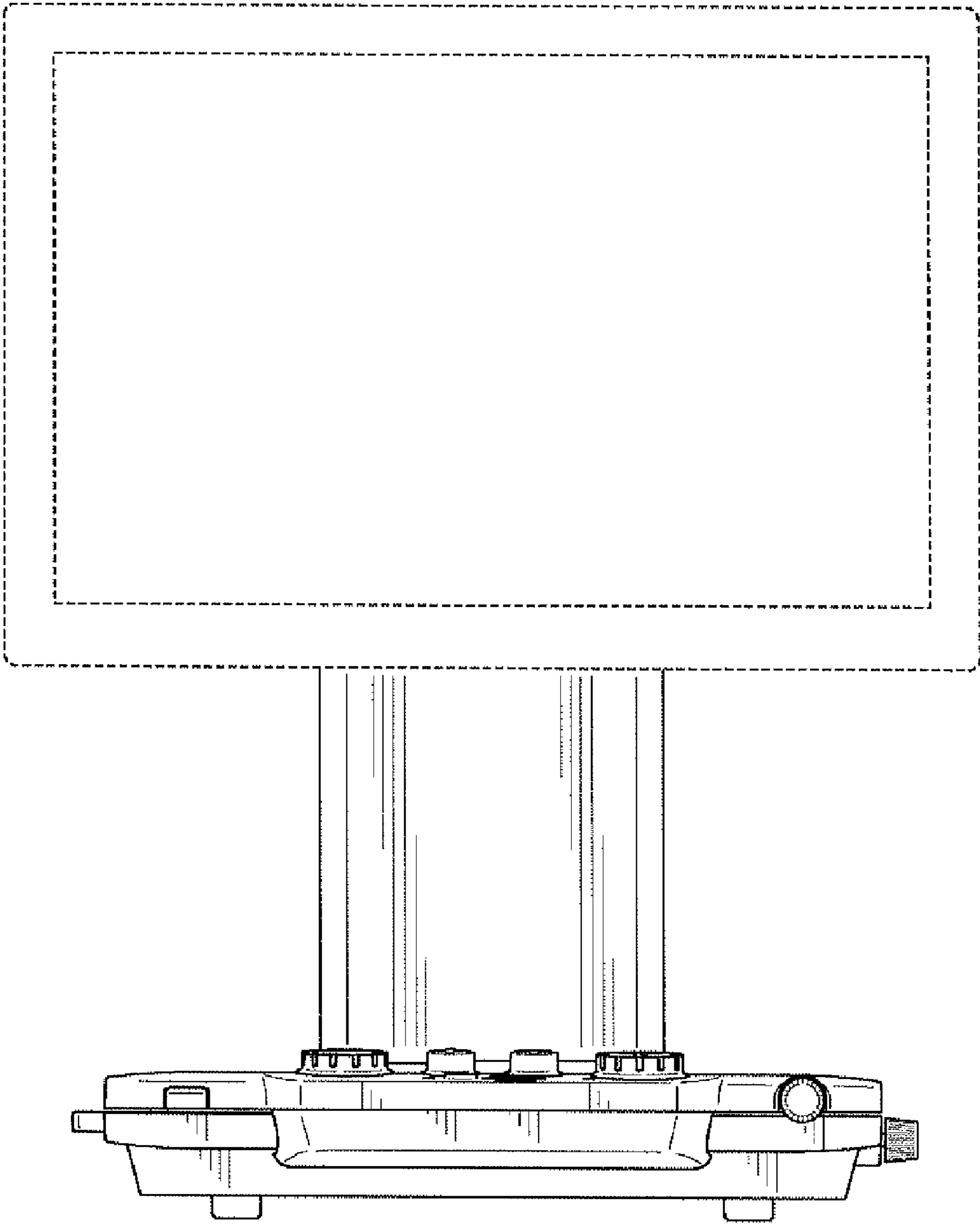


FIG. 3

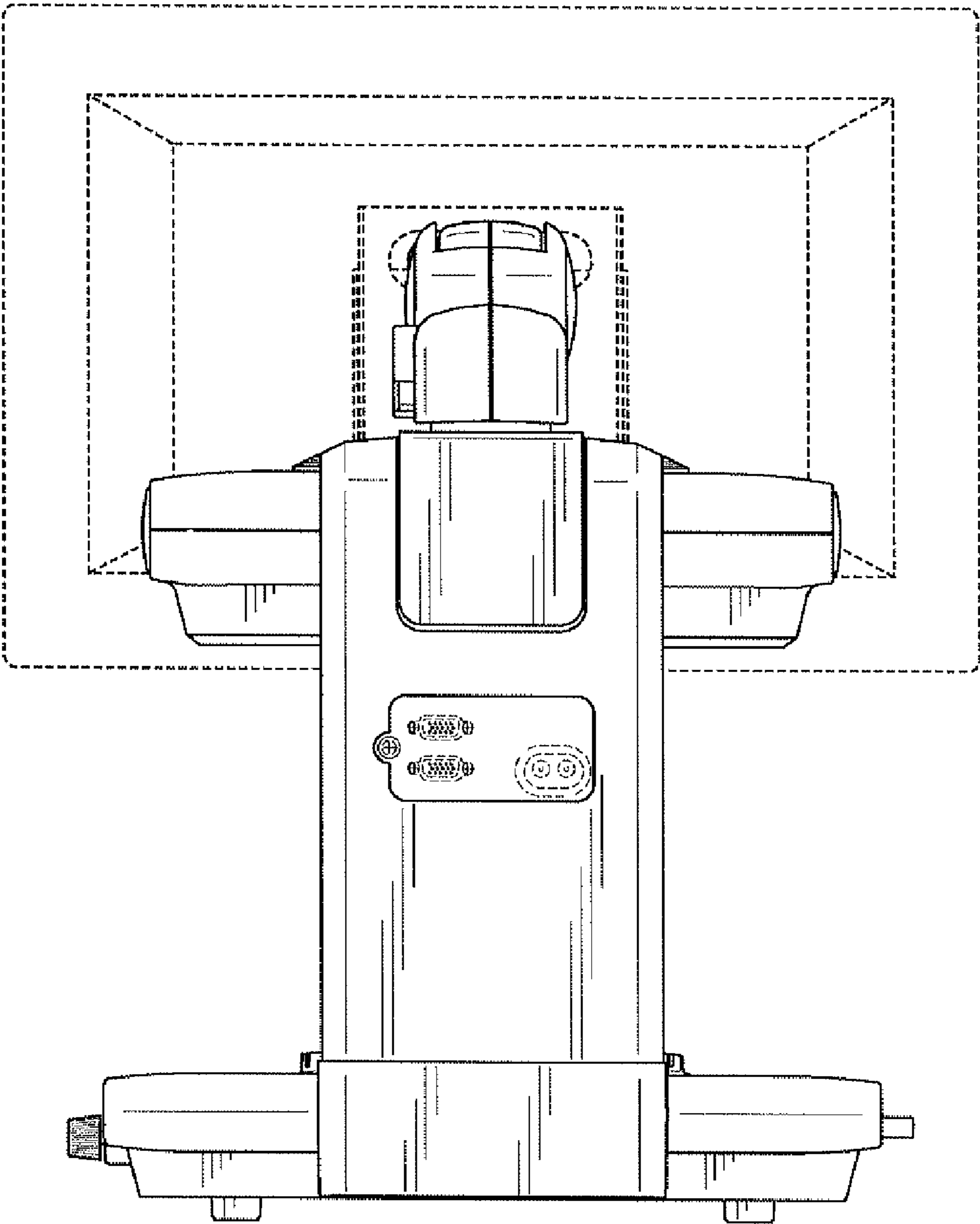


FIG. 4

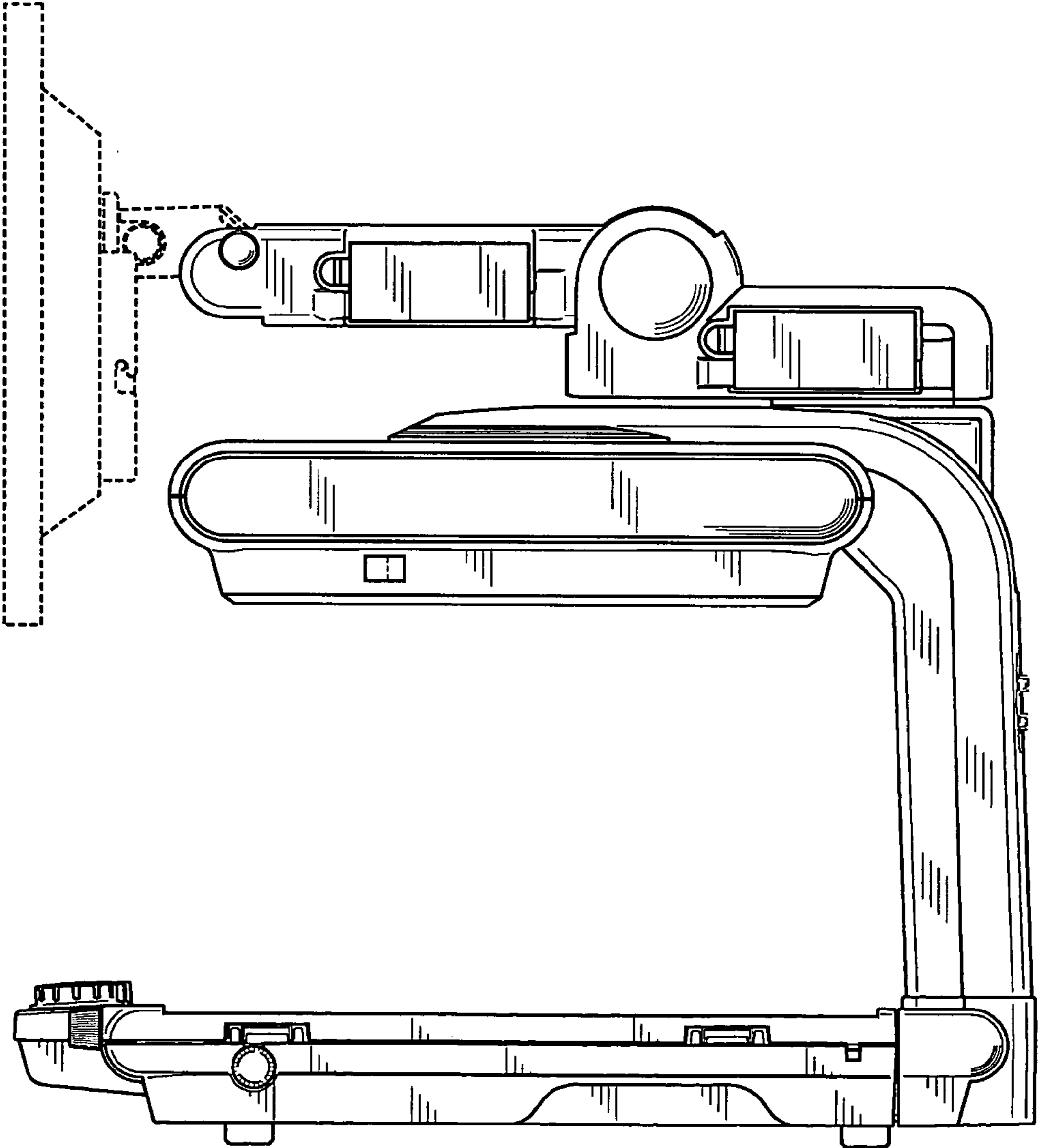


FIG. 5

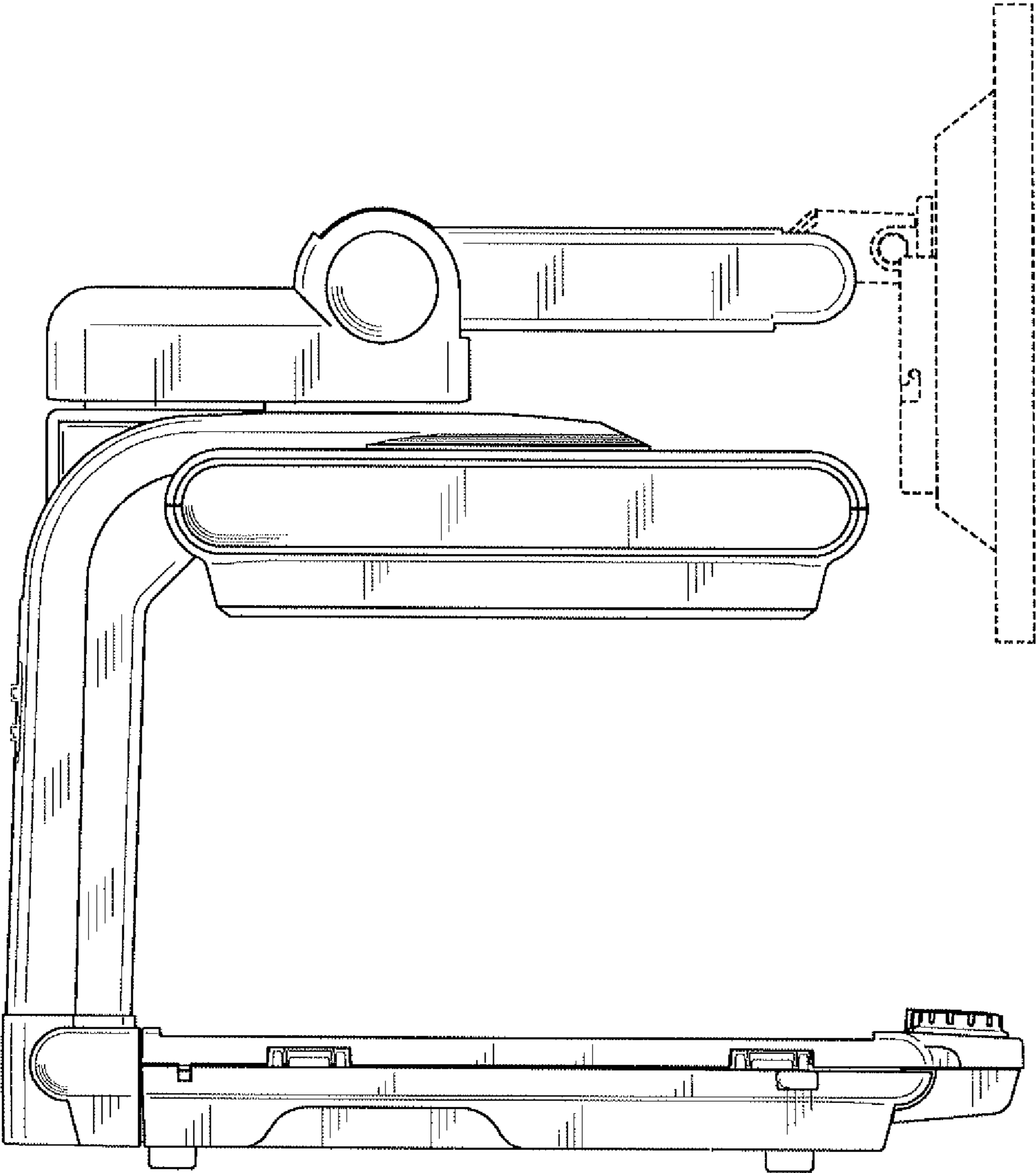


FIG. 6

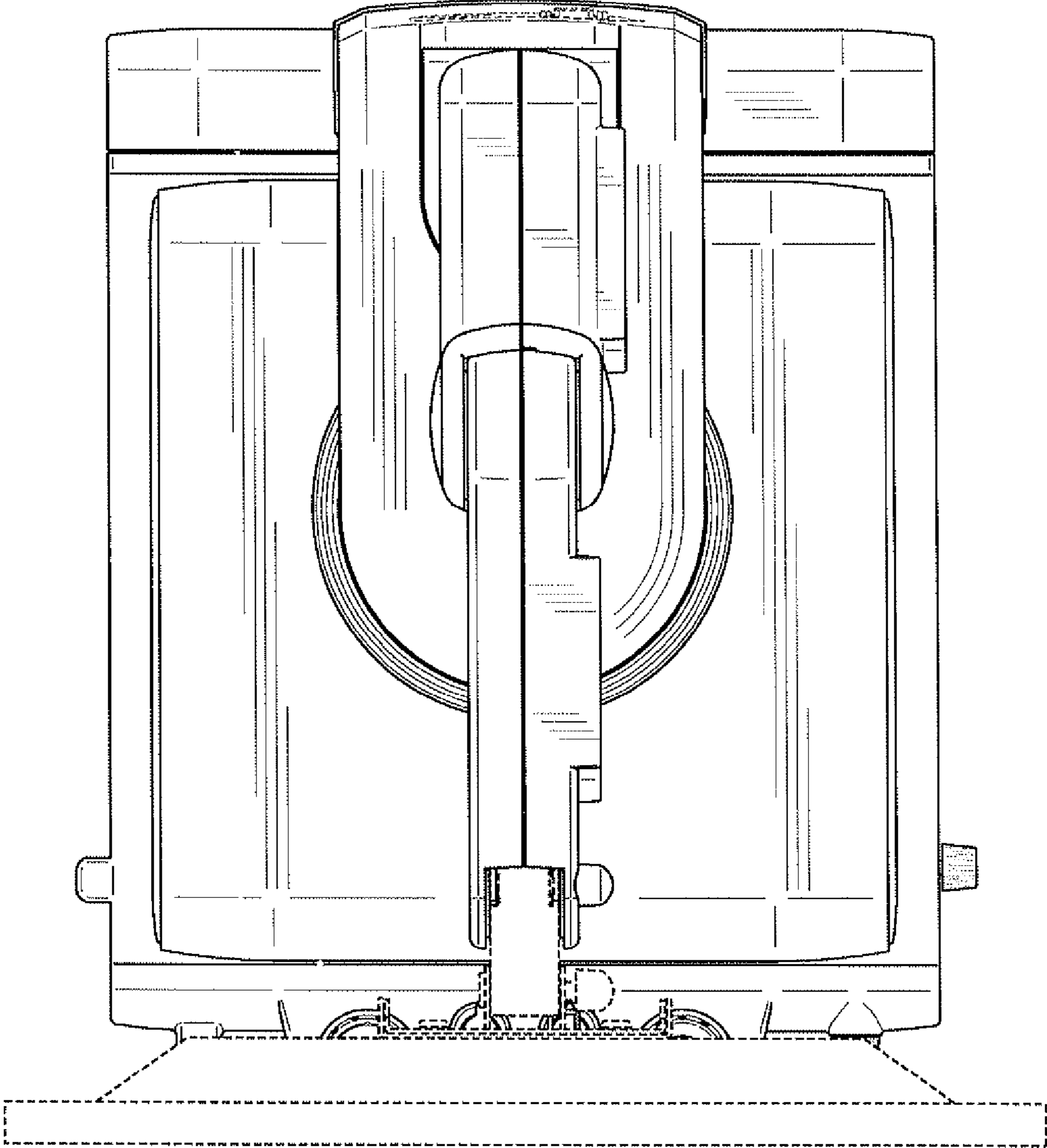


FIG. 7

