



US00D631902S

(12) **United States Design Patent**
Dinger et al.

(10) **Patent No.:** **US D631,902 S**
(45) **Date of Patent:** **** Feb. 1, 2011**

(54) **DIGITAL VIDEO CAMERA**

(75) Inventors: **Maarten Dinger**, San Francisco, CA (US); **Nasahn Adam Sheppard**, Mill Valley, CA (US); **Jonathan Kaplan**, San Francisco, CA (US); **John Furlan**, Belmont, CA (US); **Ariel Braunstein**, San Francisco, CA (US); **Simon Fleming-Wood**, Oakland, CA (US); **Richard Tobias Inman**, San Francisco, CA (US); **Elizabeth A. Cleary**, San Francisco, CA (US); **Montford De Lattre**, San Francisco, CA (US); **Mark Manuel Martinez**, San Francisco, CA (US); **Greg Allen Cummings**, San Francisco, CA (US); **Peter Michaelian**, Tappan, NY (US); **Houtan Rahimi Farahani**, San Ramon, CA (US); **Robert Jetter**, Pleasanton, CA (US); **Matthew Morris Taylor**, Mountain View, CA (US); **Tim Oonthim Lau**, Fremont, CA (US); **William Orner**, Mountain View, CA (US)

(73) Assignee: **Cisco Technology, Inc.**, San Jose, CA (US)

(**) Term: **14 Years**

(21) Appl. No.: **29/358,677**

(22) Filed: **Mar. 30, 2010**

(51) **LOC (9) Cl.** **16-01**

(52) **U.S. Cl.** **D16/202**

(58) **Field of Classification Search** D16/200–204,
D16/208, 218; 348/333.06, 373–376; 358/909.1;
396/535–541

See application file for complete search history.

(56) **References Cited**

U.S. PATENT DOCUMENTS

6,415,106 B2 * 7/2002 Hayashi et al. 348/376

6,683,653 B1 * 1/2004 Miyake et al. 348/373
6,979,210 B2 12/2005 Regen et al.
7,070,425 B2 7/2006 Regen et al.
D527,403 S * 8/2006 Byun et al. D16/202
7,090,515 B2 8/2006 Regen et al.
D552,141 S * 10/2007 Kaplan et al. D16/218
7,450,841 B2 * 11/2008 Jung 348/376
7,462,044 B1 12/2008 Regen et al.
D591,321 S * 4/2009 Sheppard et al. D16/202
7,566,231 B2 7/2009 Regen et al.
D617,821 S * 6/2010 Kaplan et al. D16/202
D619,155 S * 7/2010 Kim et al. D16/202
2005/0157196 A1 * 7/2005 Cha et al. 348/333.06
2005/0280732 A1 * 12/2005 Misawa 348/333.06

* cited by examiner

Primary Examiner—Adir Aronovich

(74) *Attorney, Agent, or Firm*—Patterson & Sheridan, LLP

(57) **CLAIM**

The ornamental design for a digital video camera, as shown and described.

DESCRIPTION

FIG. 1 is a top, front and left side perspective view of a digital video camera showing our new design;

FIG. 2 is a bottom, rear and left side perspective view thereof with the display portion in an open position;

FIG. 3 is a front elevational view thereof,

FIG. 4 rear elevational view thereof;

FIG. 5 is a top plan view thereof;

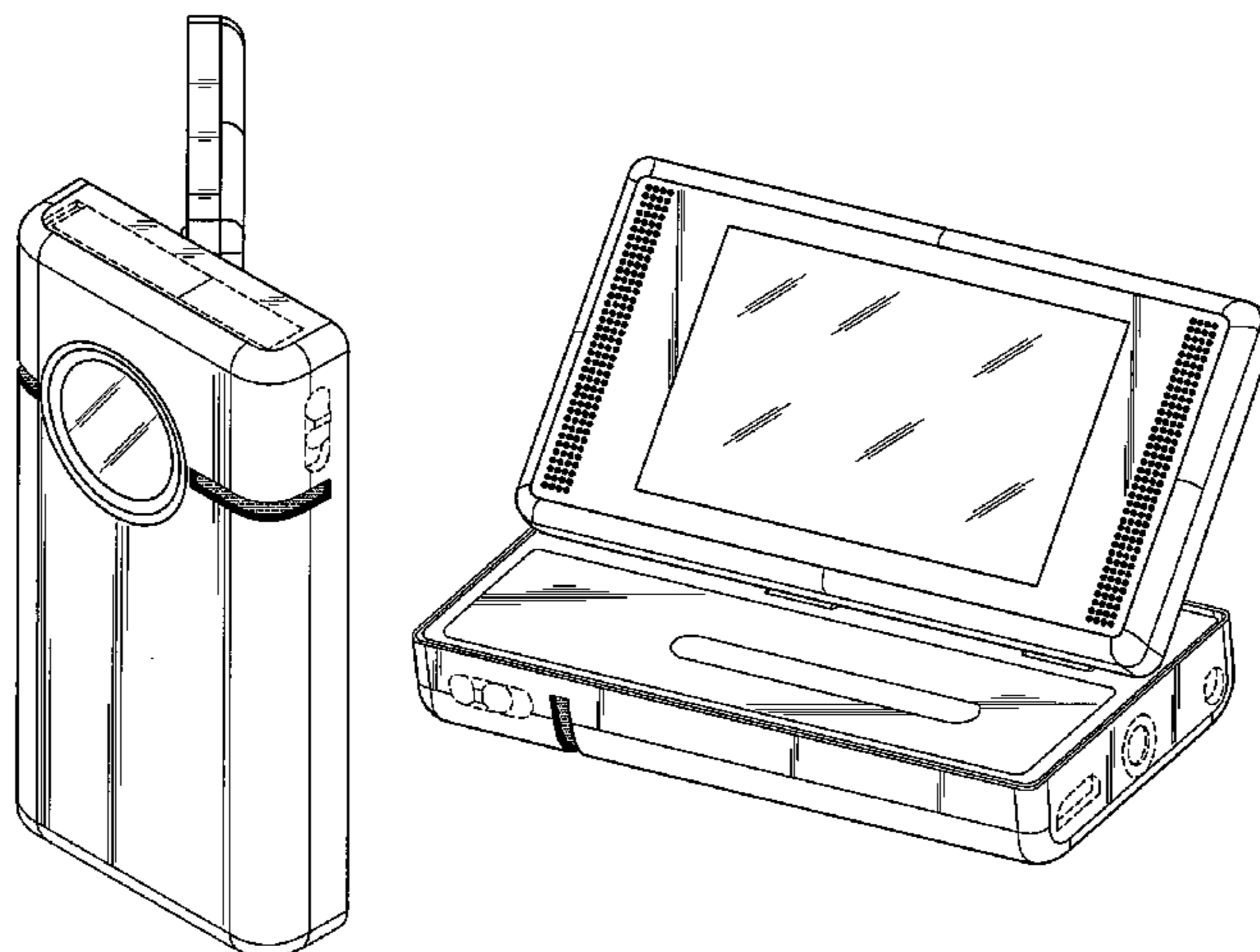
FIG. 6 is a bottom plan view thereof;

FIG. 7 is a right side elevational thereof; and,

FIG. 8 is a left side elevational thereof;

The broken lines shown in the drawings illustrate environmental structure and form no part of the claimed design.

1 Claim, 4 Drawing Sheets



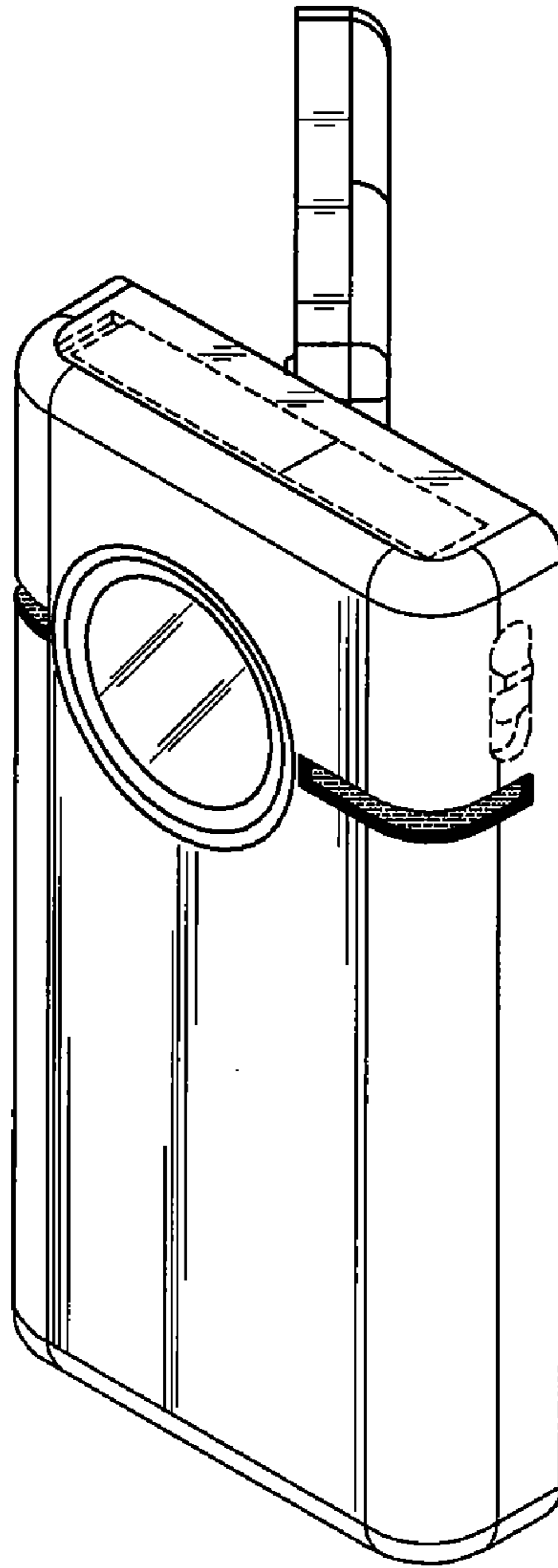


FIG. 1

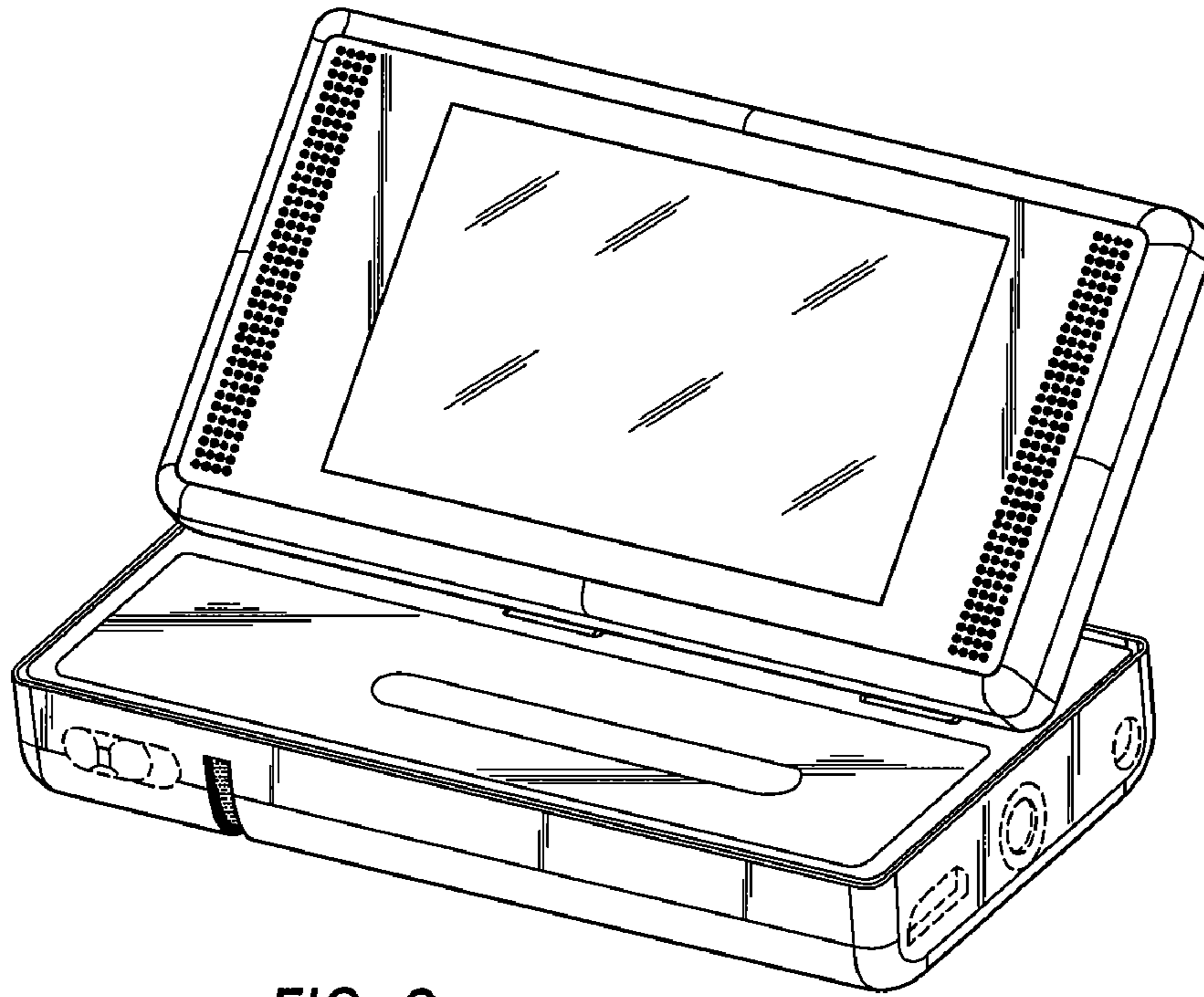


FIG. 2

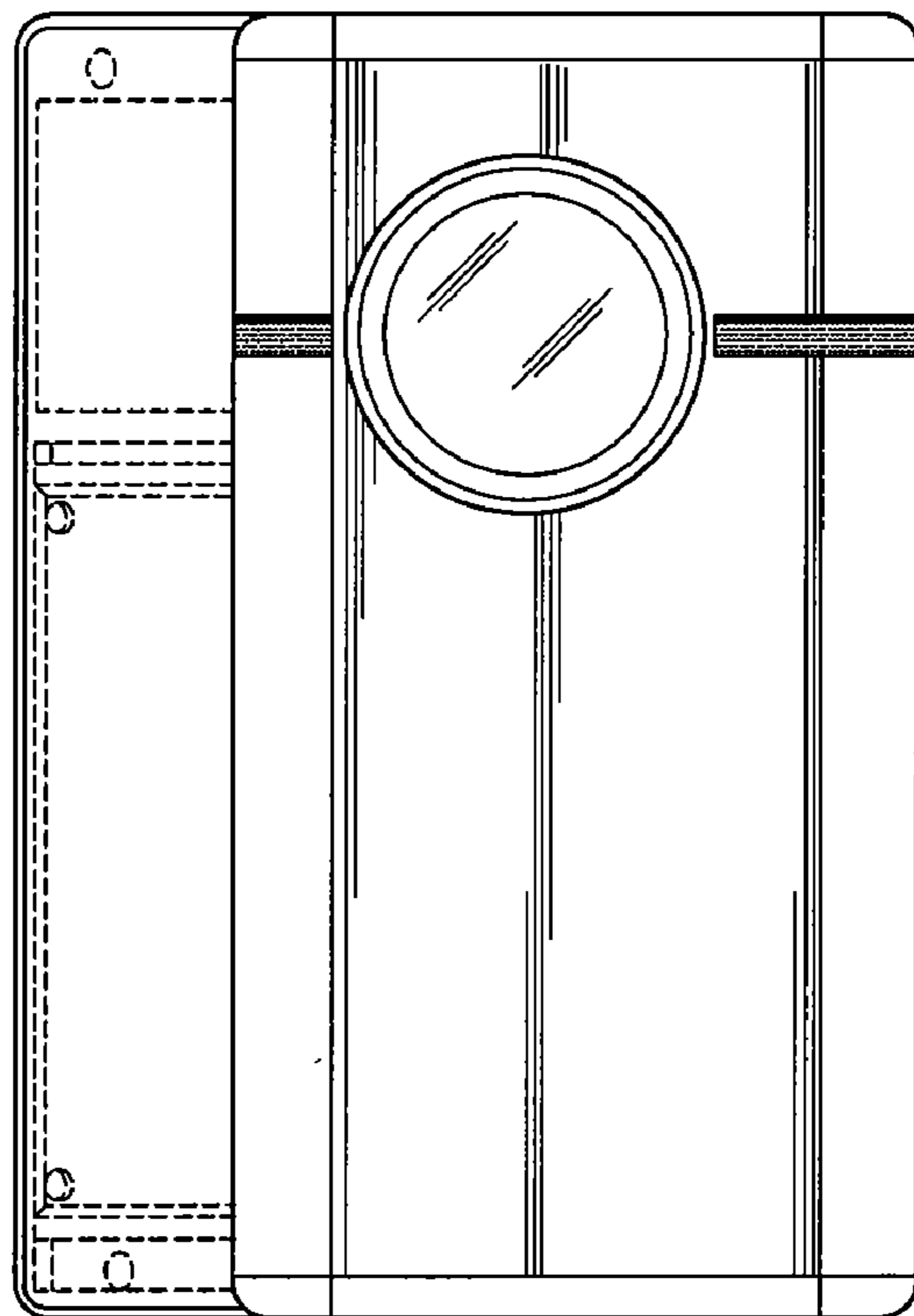


FIG. 3

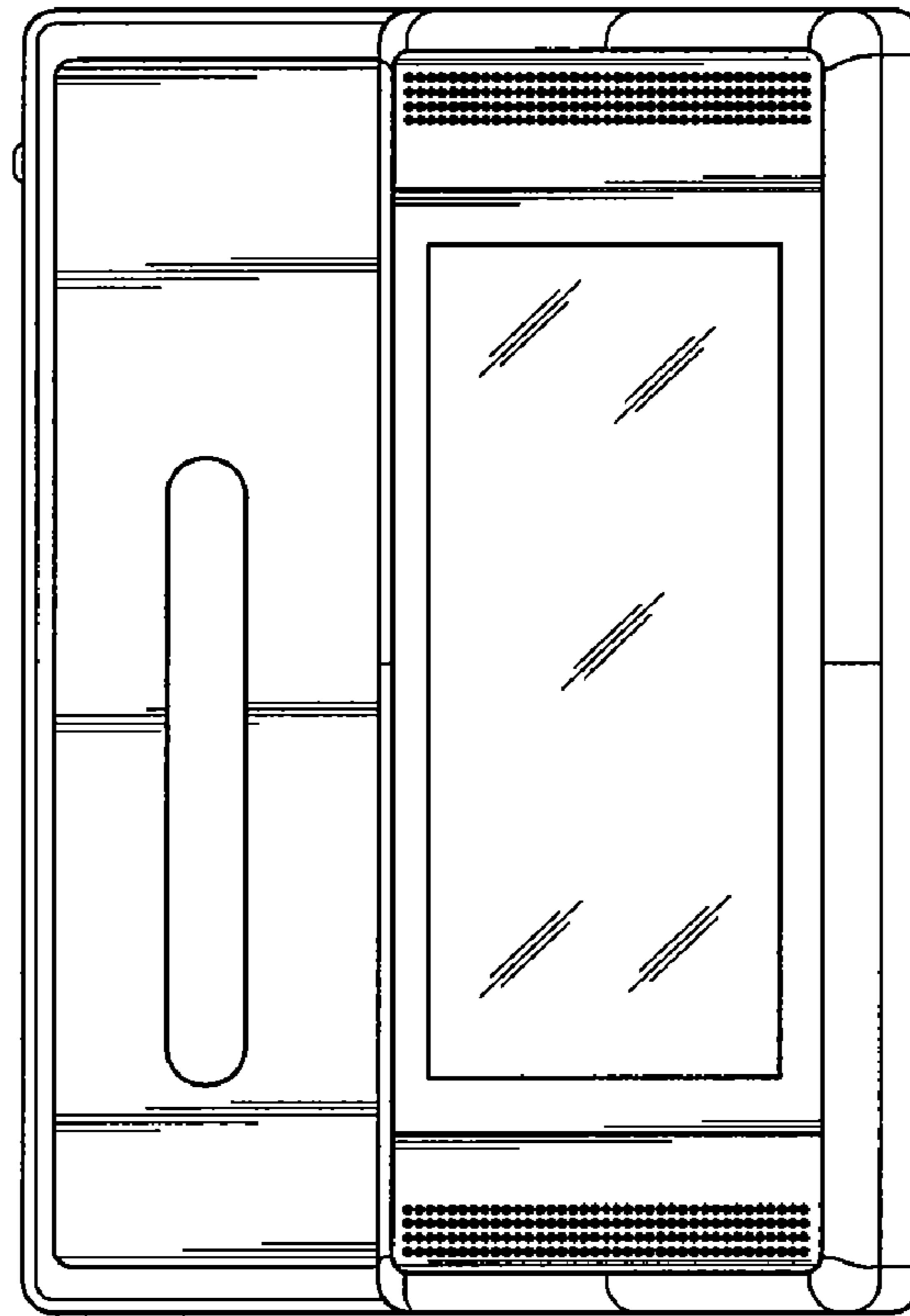


FIG. 4

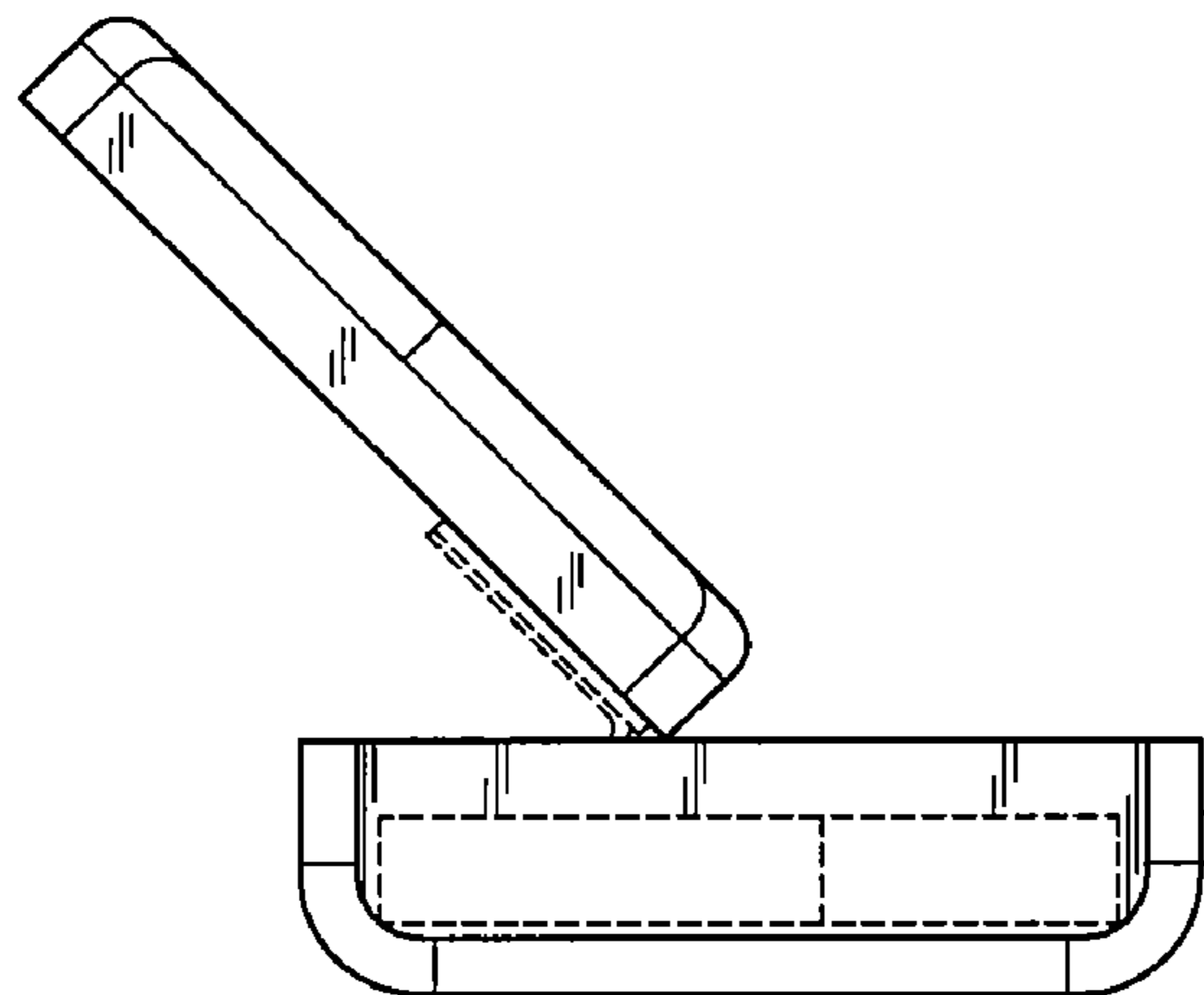


FIG. 5

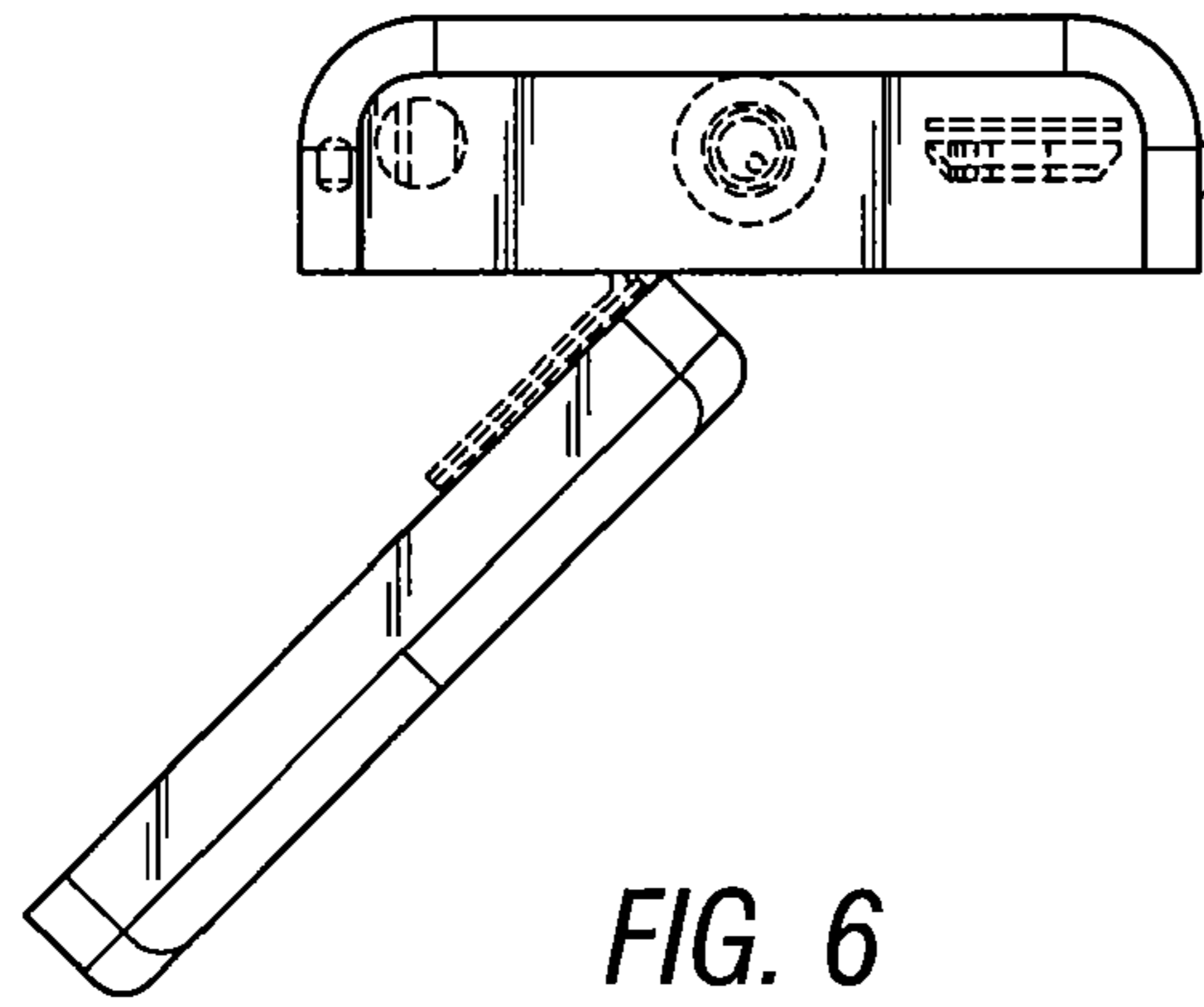


FIG. 6

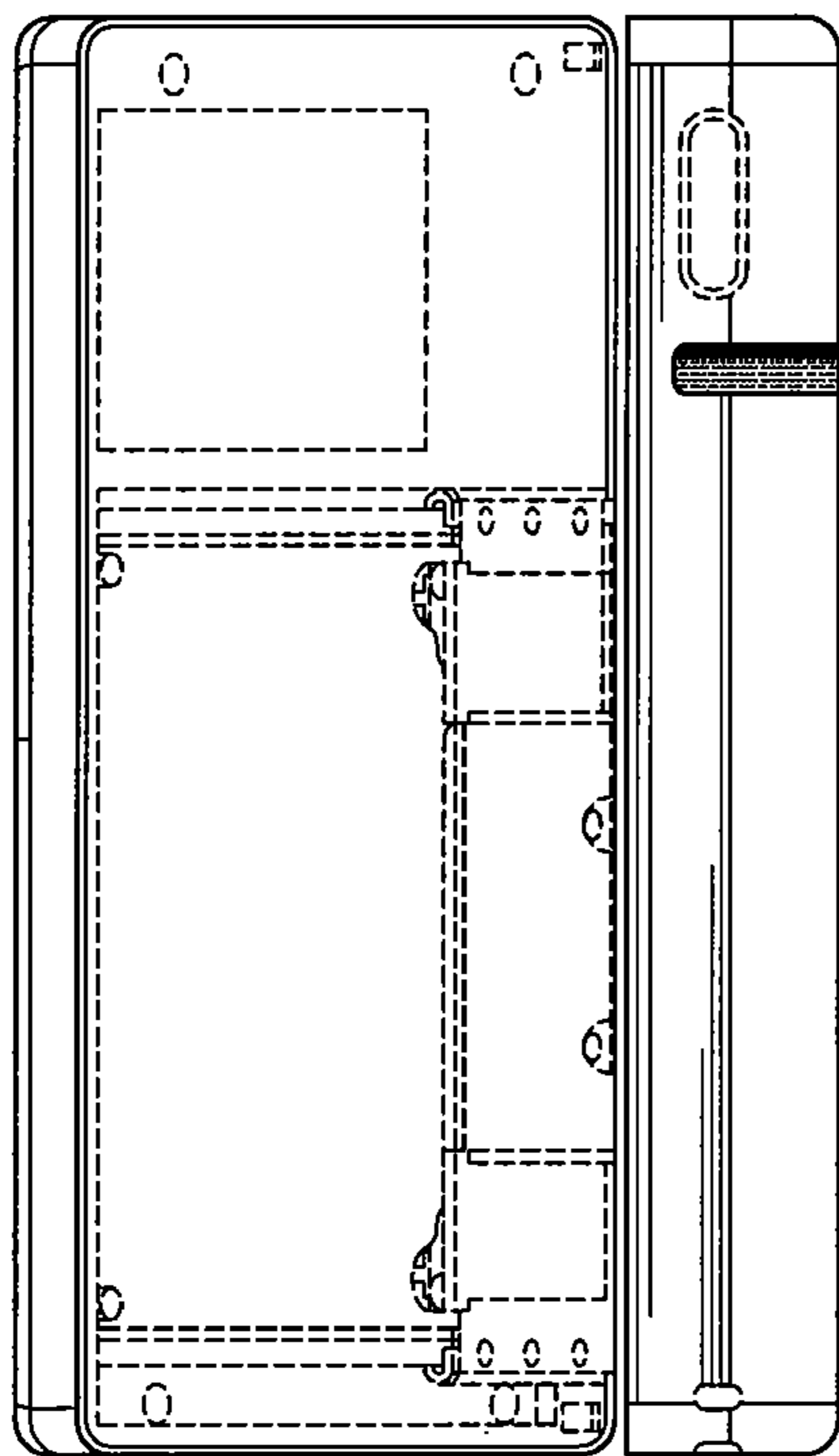


FIG. 7

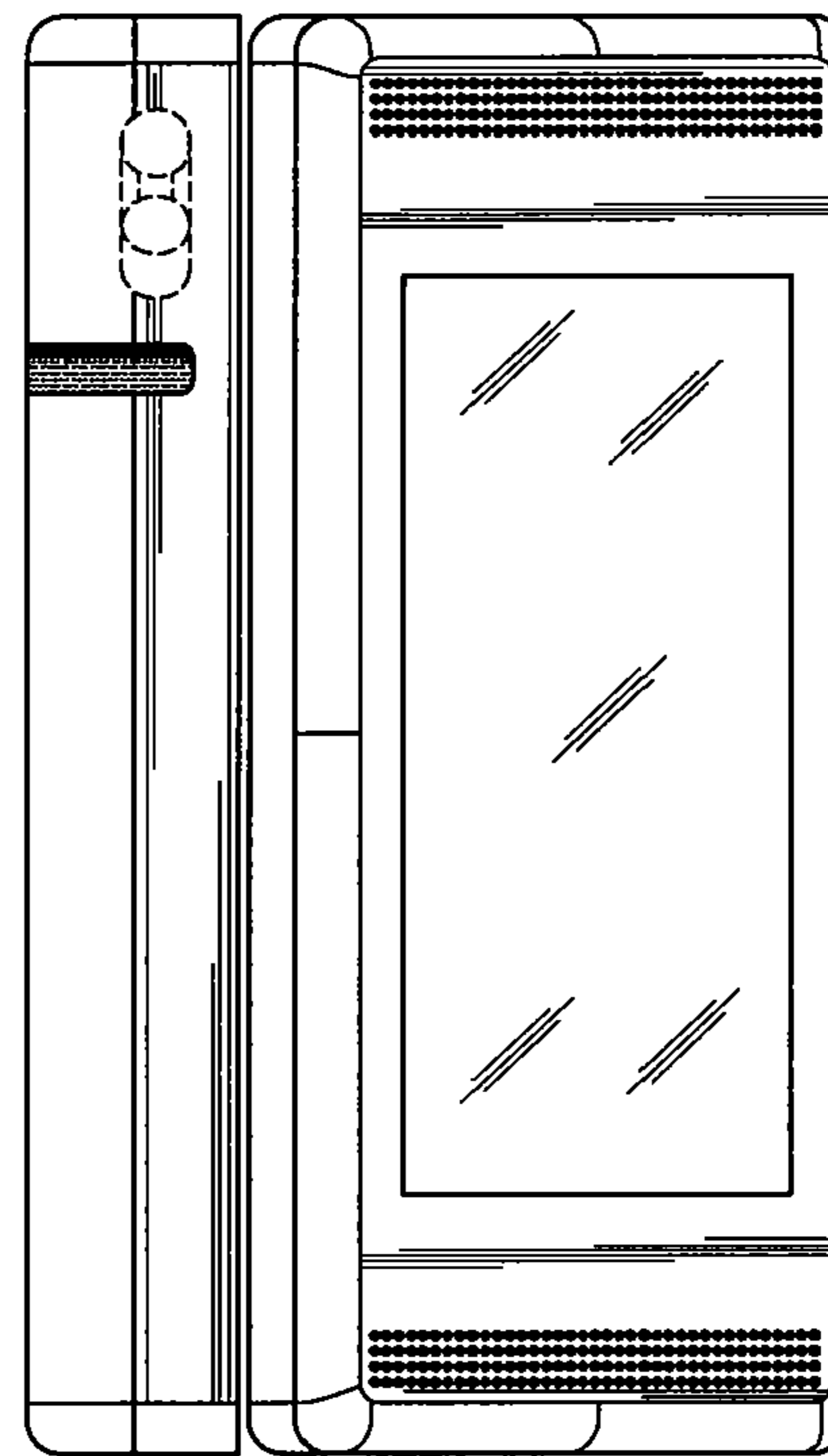


FIG. 8