



US00D631901S

(12) **United States Design Patent**
Brooks et al.

(10) **Patent No.:** **US D631,901 S**
(45) **Date of Patent:** **** Feb. 1, 2011**

(54) **PORTABLE APPARATUS FOR DETERMINING LEAKS IN AIR DUCTS**

(75) Inventors: **Patrick J. Brooks**, Columbus, OH (US); **Shawn Michael Fortner**, Massillon, OH (US); **Andrew N. Czerpak**, Erie, PA (US)

(73) Assignee: **United McGill Corporation C**, Groveport, OH (US)

(**) Term: **14 Years**

(21) Appl. No.: **29/354,454**

(22) Filed: **Jan. 25, 2010**

(51) **LOC (9) Cl.** **15-99**

(52) **U.S. Cl.** **D15/199**

(58) **Field of Classification Search** D15/122, D15/199; D32/1; 15/104.2, 304, 314, 320-321, 15/345; 73/46, 49.8, 304 R; 134/8, 21; 137/59, 137/78.1, 79, 80, 312; 200/61.05; 215/200, 215/353, 355, 379, 380, 385, 900, 901; 222/456, 222/563; 239/146-147; 340/604-605, 614, 340/626, 691.4; 417/234, 360, 410
See application file for complete search history.

(56) **References Cited**

U.S. PATENT DOCUMENTS

3,950,983	A *	4/1976	Slinger	73/46
4,297,687	A *	10/1981	Fuzzell	340/626
D357,264	S *	4/1995	Williams	D15/199
D359,296	S *	6/1995	Witherspoon	D15/199
D365,583	S *	12/1995	Viken	D15/151
6,170,320	B1 *	1/2001	Scaringe et al.	73/40.7
6,850,164	B2 *	2/2005	Olmsted	340/605
D511,703	S *	11/2005	Moyer	D10/101
D570,058	S *	5/2008	Watson et al.	D32/1

D619,311 S * 7/2010 Publ et al. D32/1
* cited by examiner

Primary Examiner—Patricia Palasik
(74) *Attorney, Agent, or Firm*—Mueller Smith & Okuley, LLC

(57) **CLAIM**

The ornamental design for a portable apparatus for determining leaks in air ducts, as shown and described.

DESCRIPTION

FIG. 1 is an isometric view of the portable apparatus for determining leaks in air ducts looking downwardly on the top and front thereof;

FIG. 2 is an isometric view of the portable apparatus for determining leaks in air ducts looking downwardly on the top and rear thereof;

FIG. 3 an isometric view of the portable apparatus for determining leaks in air ducts looking upwardly on the bottom and rear thereof;

FIG. 4 is a front view of the portable apparatus for determining leaks in air ducts;

FIG. 5 is a top view of the portable apparatus for determining leaks in air ducts;

FIG. 6 is a bottom view of the portable apparatus for determining leaks in air ducts;

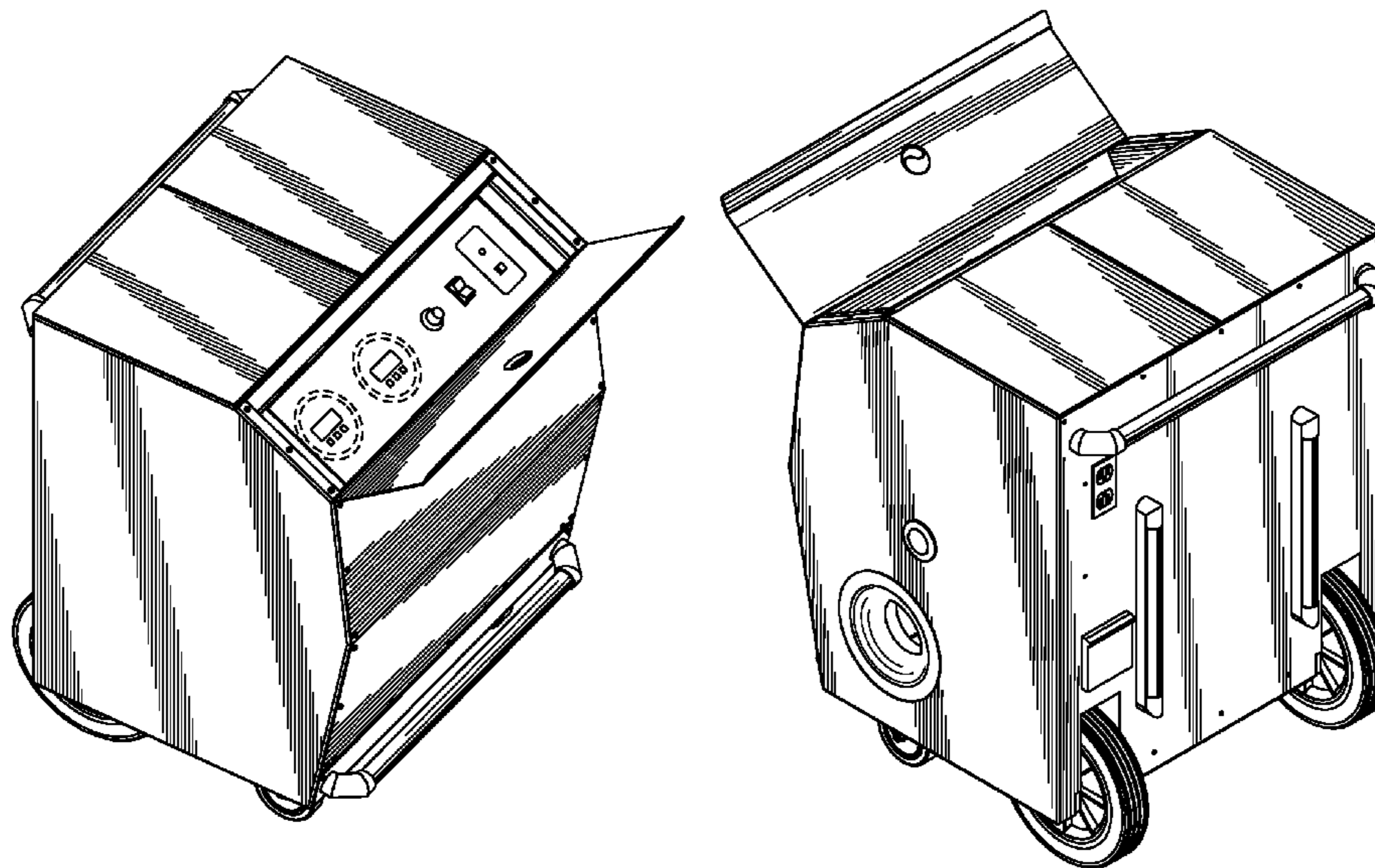
FIG. 7 is a side view of one side of the portable apparatus for determining leaks in air ducts;

FIG. 8 is a side view of the other side portable apparatus for determining leaks in air ducts; and,

FIG. 9 is a rear view of the portable apparatus for determining leaks in air ducts.

The broken lines in the drawings depict unclaimed environmental subject matter.

1 Claim, 5 Drawing Sheets



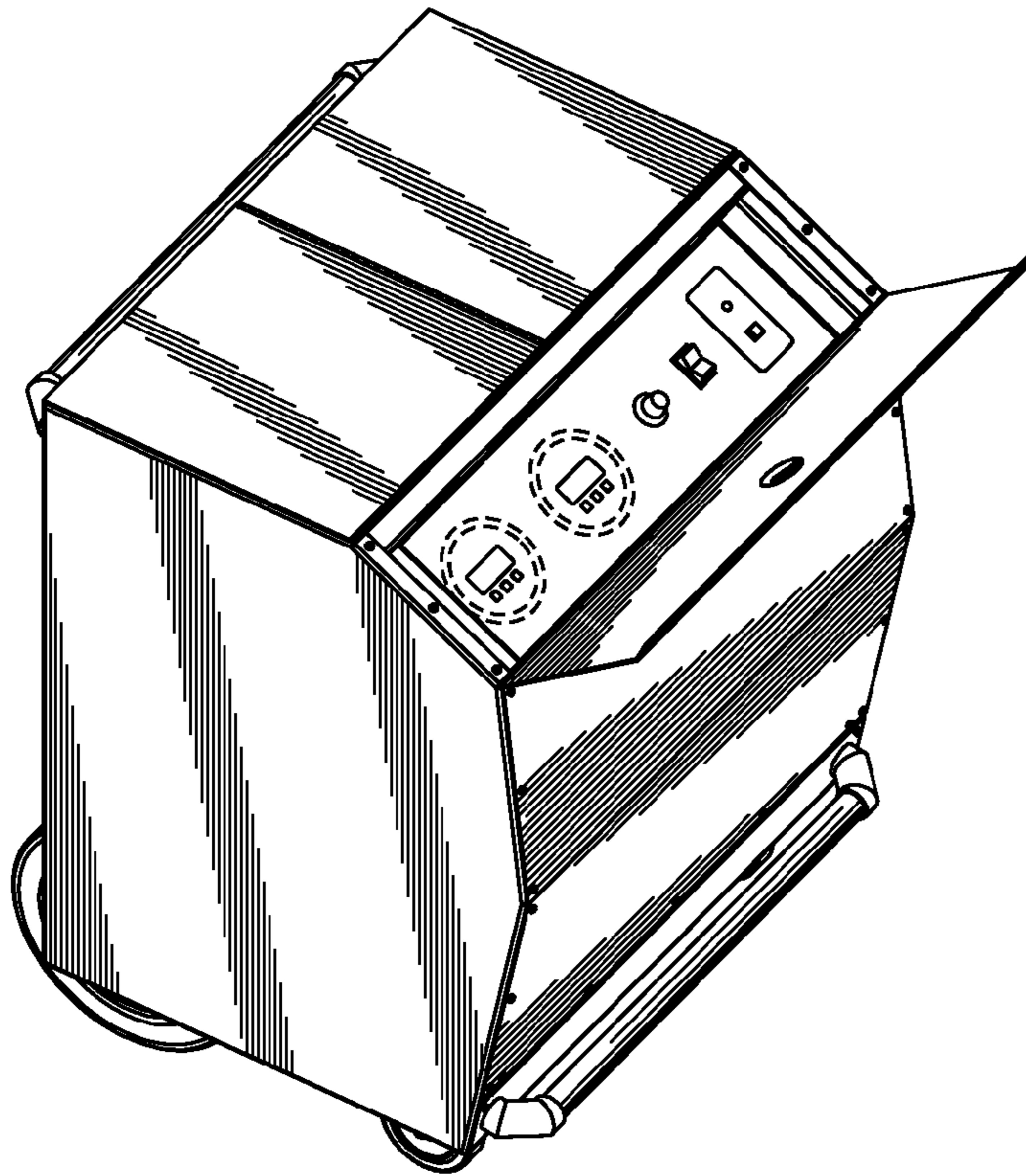


FIG. 1

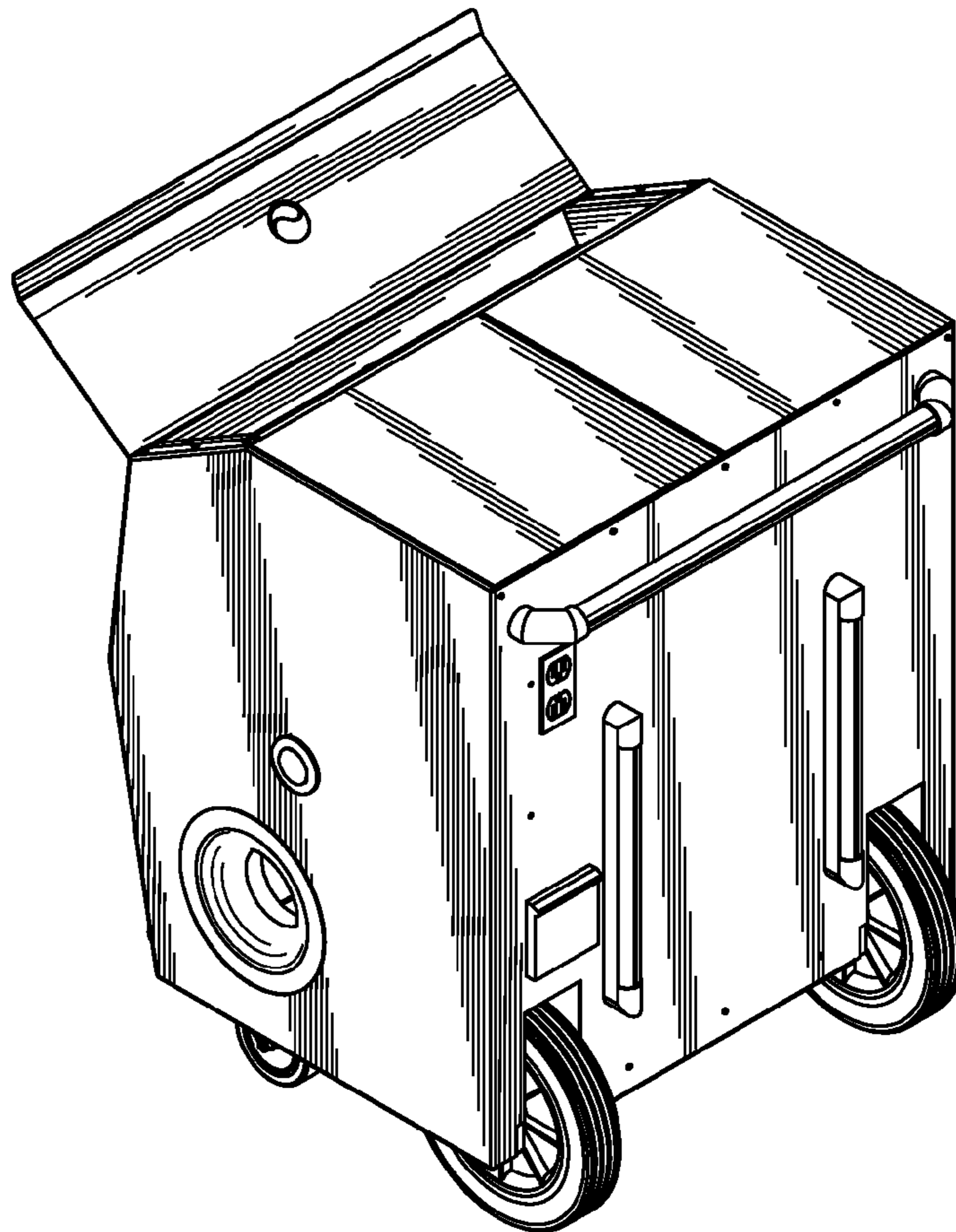


FIG. 2

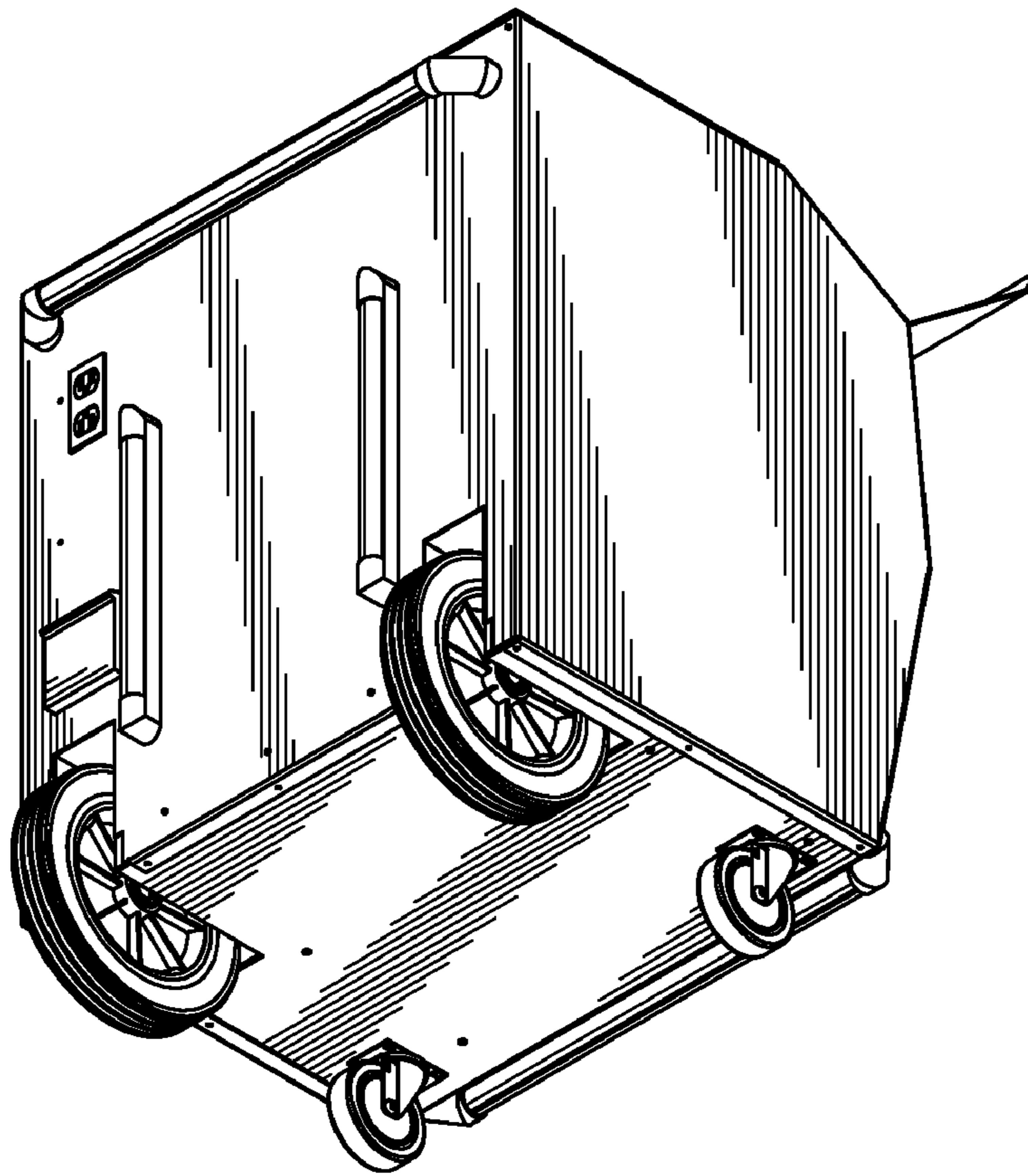
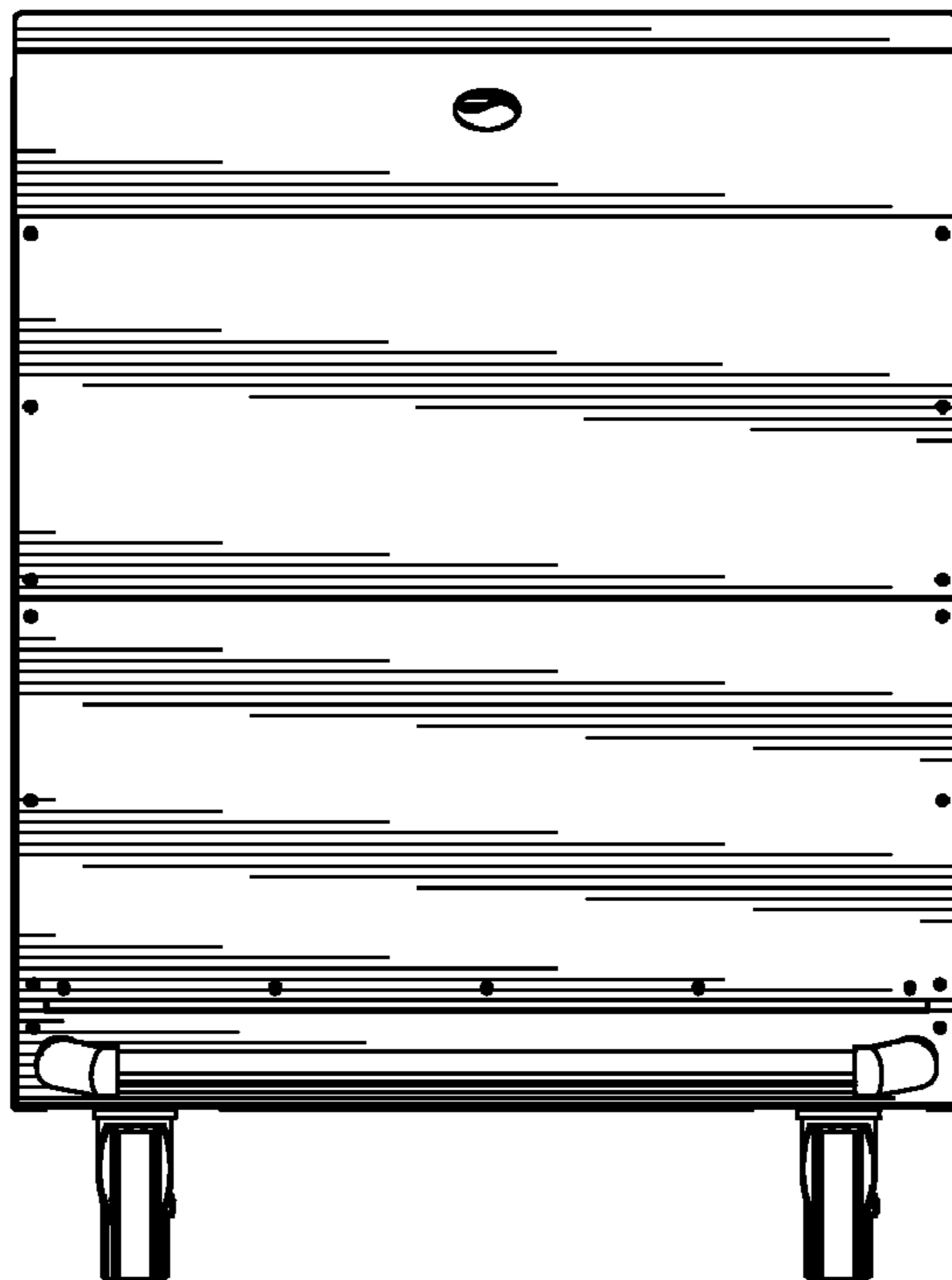


FIG. 3

FIG. 4



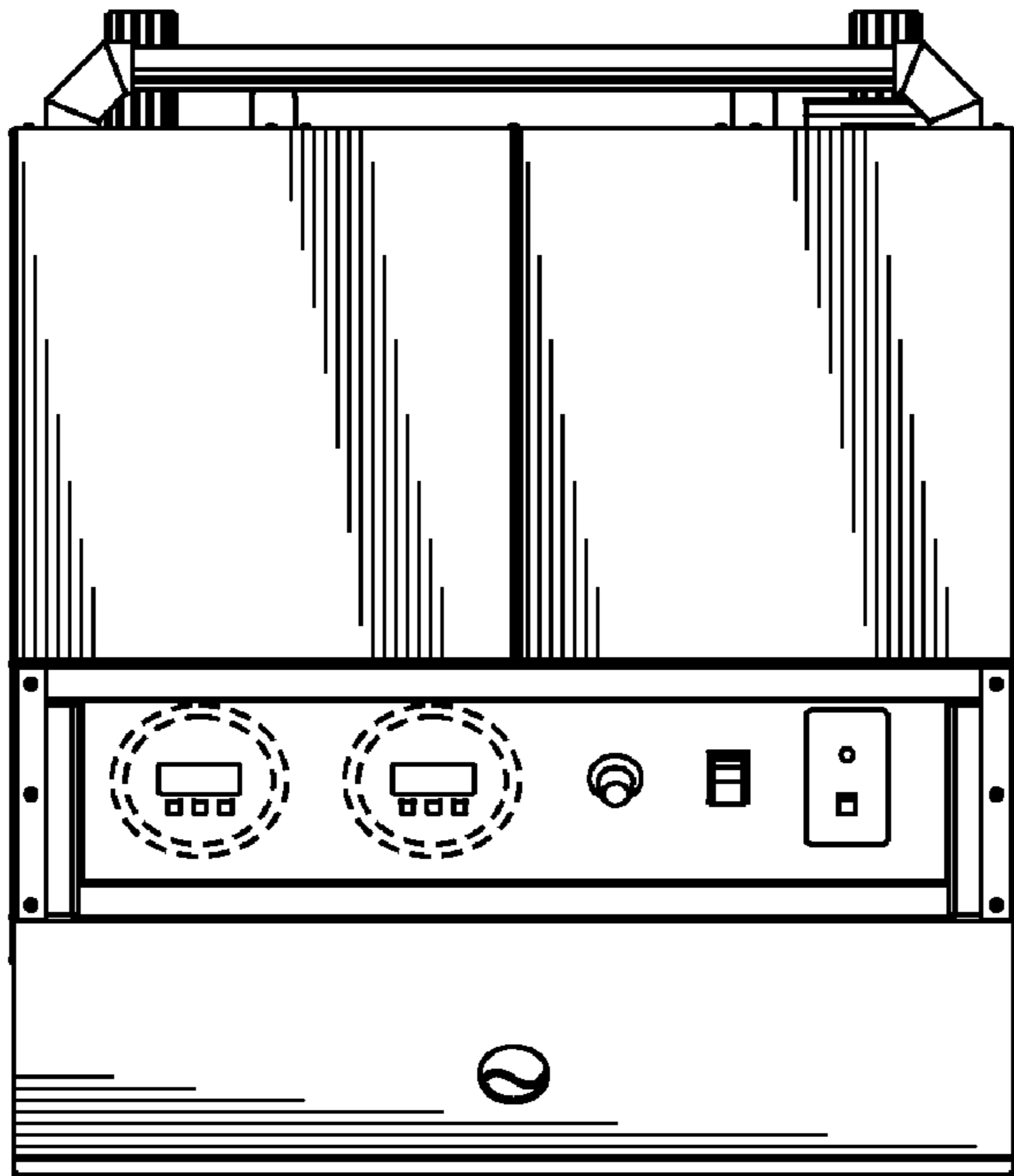


FIG. 5

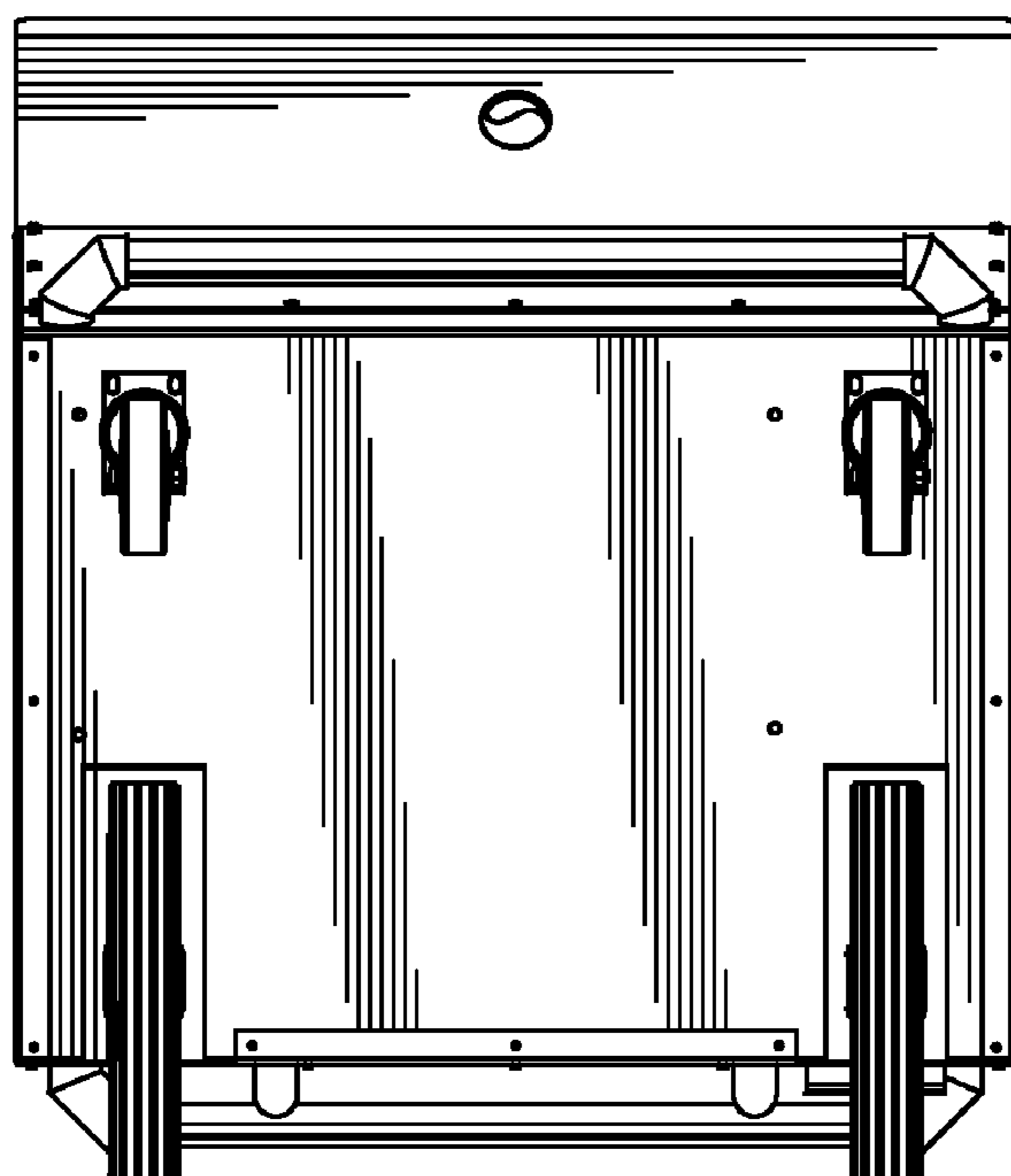


FIG. 6

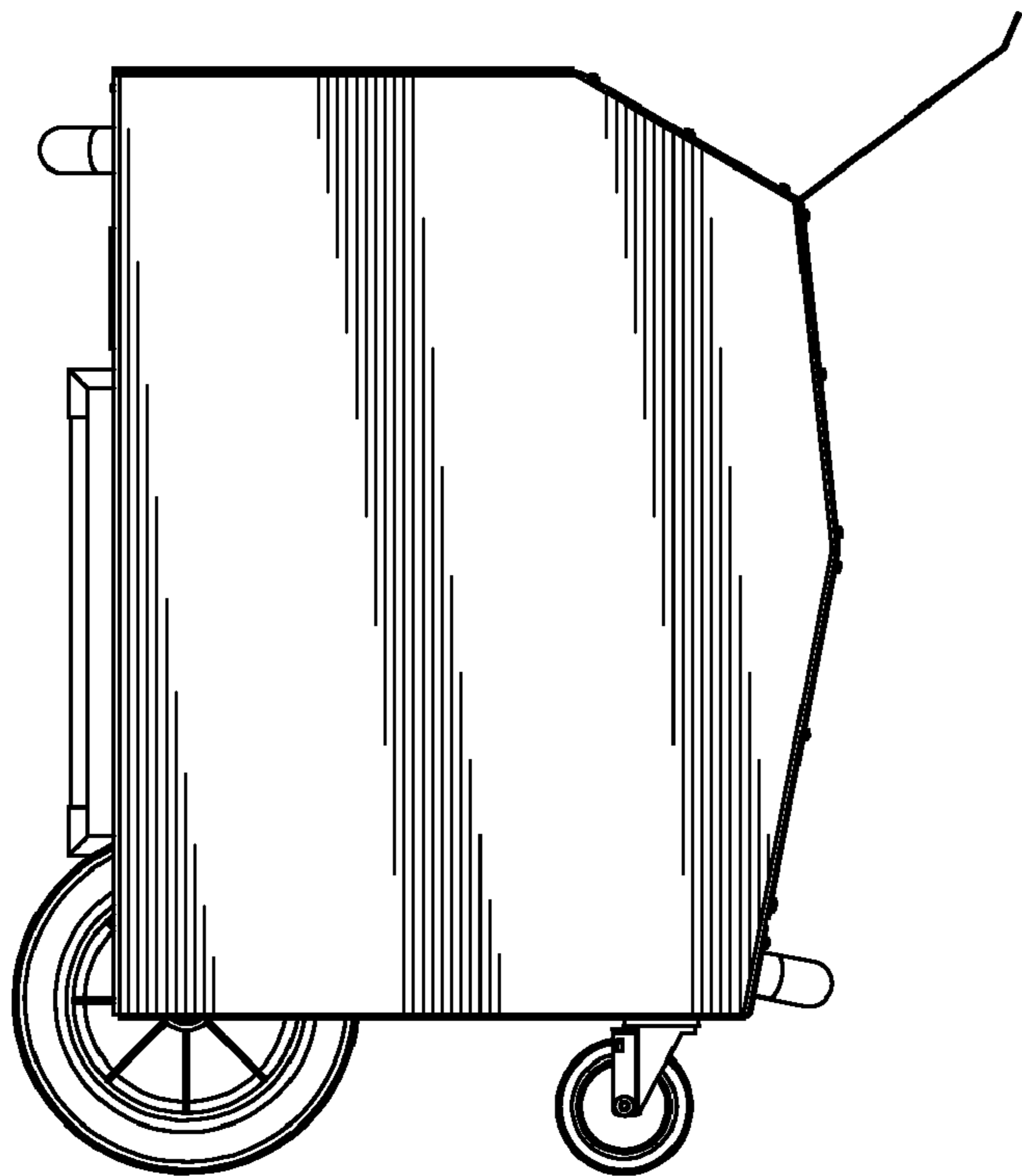


FIG. 7

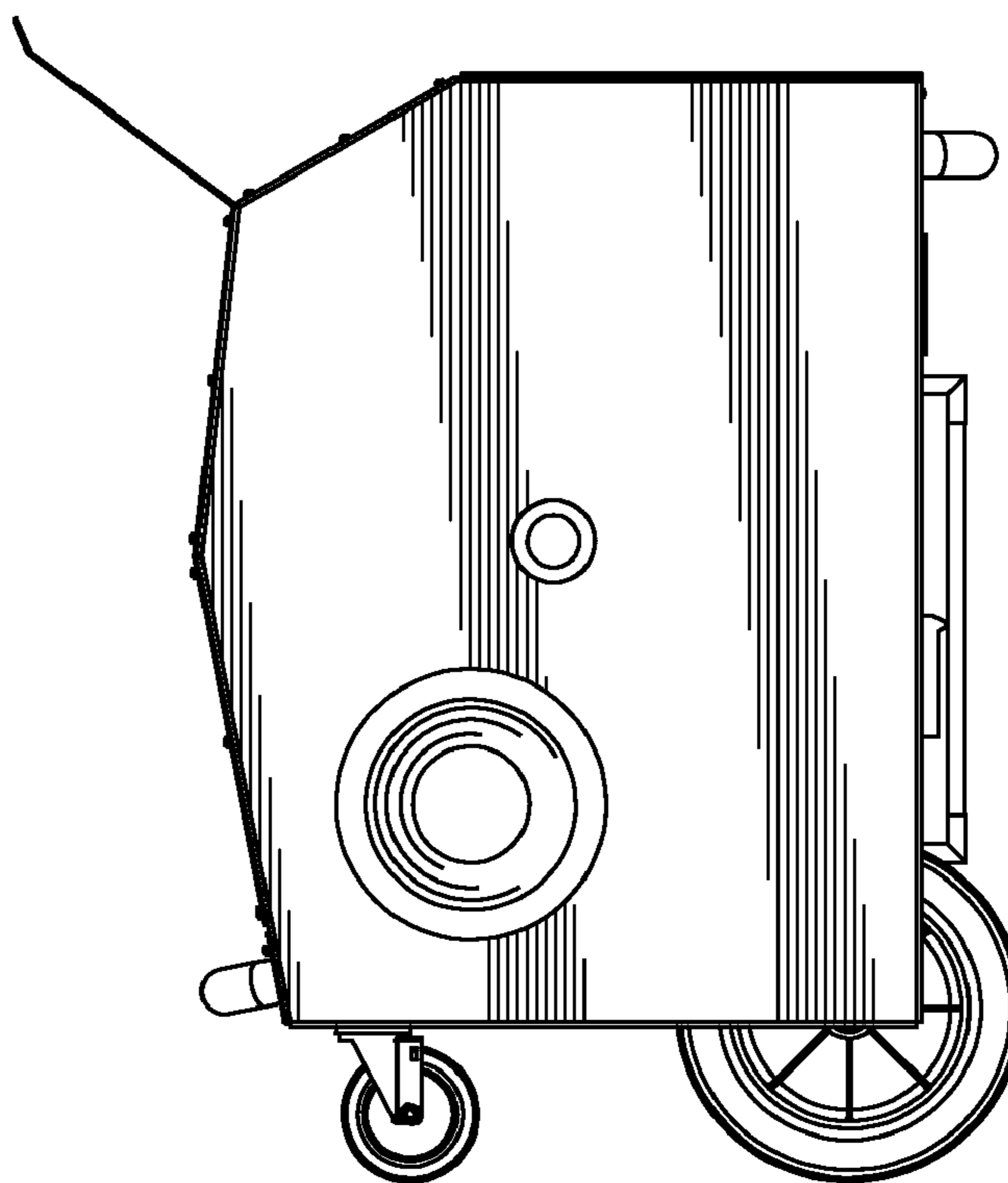


FIG. 8

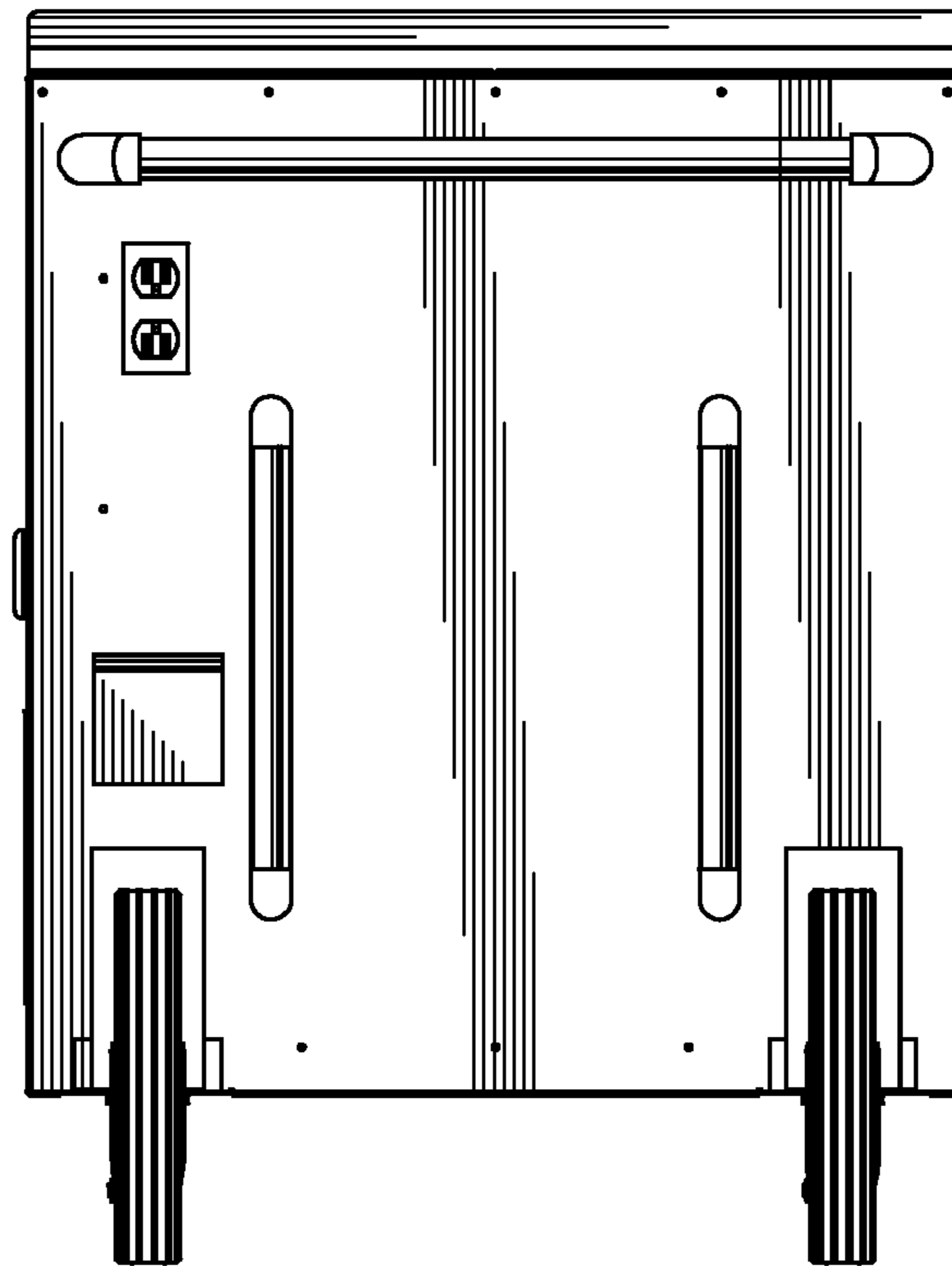


FIG. 9