



US00D631900S

(12) **United States Design Patent**
Prochaska et al.

(10) **Patent No.:** **US D631,900 S**
(45) **Date of Patent:** **** Feb. 1, 2011**

(54) **TROMMEL**

(76) Inventors: **Daniel Lee Prochaska**, C/O Summit Mining & Equipment, Inc., 6670 SW. 169th Ave., Beaverton, OR (US) 97007;
Darrell Lee Prochaska, C/O Summit Mining & Equipment, Inc., 6670 SW. 169th Ave., Beaverton, OR (US) 97007

(**) Term: **14 Years**

(21) Appl. No.: **29/352,193**

(22) Filed: **Dec. 17, 2009**

(51) **LOC (9) Cl.** **15-09**
(52) **U.S. Cl.** **D15/147; D15/21; D15/27**
(58) **Field of Classification Search** D15/10, D15/19, 21, 27, 147, 199; 209/257, 319, 209/44, 251, 270, 284, 288, 296, 297, 420, 209/421, 18, 298, 299, 260, 447, 451, 458, 209/473, 500-506

See application file for complete search history.

(56) **References Cited**

U.S. PATENT DOCUMENTS

D244,925 S	7/1977	O'Neill et al.	
D263,836 S	4/1982	Read	
D265,094 S	6/1982	Williams	
4,339,043 A	7/1982	Tice et al.	
5,108,584 A *	4/1992	Brosseuk	209/44
5,346,071 A *	9/1994	Page et al.	209/257
D360,888 S	8/1995	Timm	
D375,752 S	11/1996	Douglas	
5,641,071 A *	6/1997	Read et al.	209/319
5,842,578 A *	12/1998	Cordeiro	209/420
6,065,606 A *	5/2000	Bonner	209/420
6,378,704 B1 *	4/2002	Krause	209/452
7,273,150 B2 *	9/2007	Fridman et al.	209/241

D591,780 S *	5/2009	Pfaff	D15/147
2004/0182758 A1 *	9/2004	McCloskey	209/420
2006/0237346 A1 *	10/2006	Fridman et al.	209/288
2007/0119755 A1 *	5/2007	Freeman	209/284

OTHER PUBLICATIONS

WWW.ANGUSMACKIRK.COM/PRODUCT_PAGES/TROMMEL.HTML; Oct. 29, 2009; (pp. 1-3).
WWW.WILDBOARPROSPECTING.COM; Oct. 29, 2009; (pp. 1-2).
WWW.GOLDCLAIMERBRAND.COM/GOLDCLAIMER.HTML; Oct. 29, 2009; (pp. 1-2).
WWW.DESFOX.COM/M.G.TROMMEL.HTM; Oct. 29, 2009; (pp. 1-5).

* cited by examiner

Primary Examiner—Mark A Goodwin

(74) *Attorney, Agent, or Firm*—Pedersen and Company, PLLC; Ken J. Pedersen; Barbara S. Pedersen

(57) **CLAIM**

The ornamental design for a trommel, as shown and described.

DESCRIPTION

FIG. 1 is a top front perspective view of a trommel showing our new design, the broken line showing of an engine forms no part of the claimed design.

FIG. 2 is a right side view thereof.

FIG. 3 is a left side view thereof.

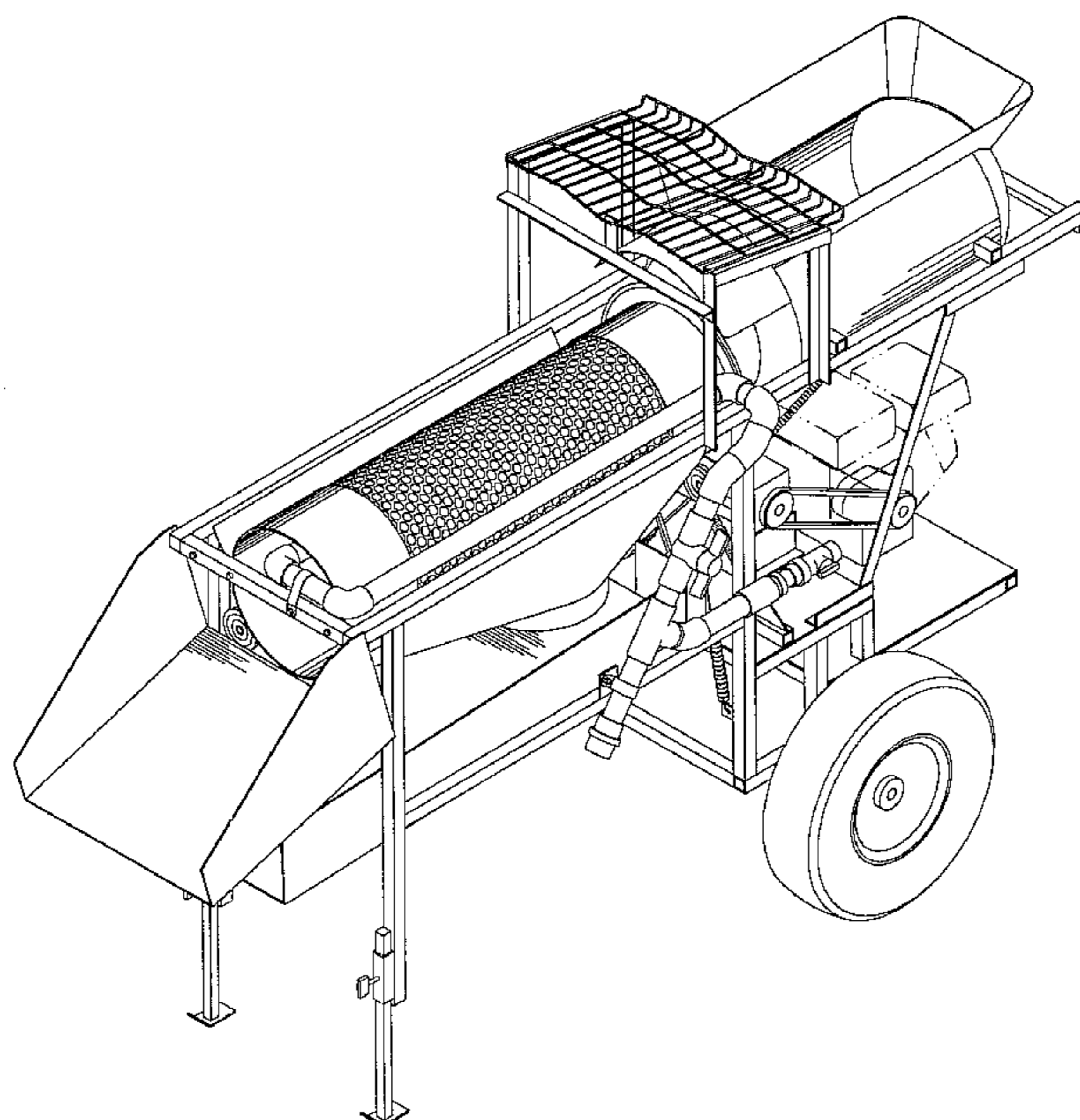
FIG. 4 is a top plan view thereof.

FIG. 5 is a bottom plan view thereof.

FIG. 6 is a front view thereof; and,

FIG. 7 is a rear view thereof.

1 Claim, 7 Drawing Sheets



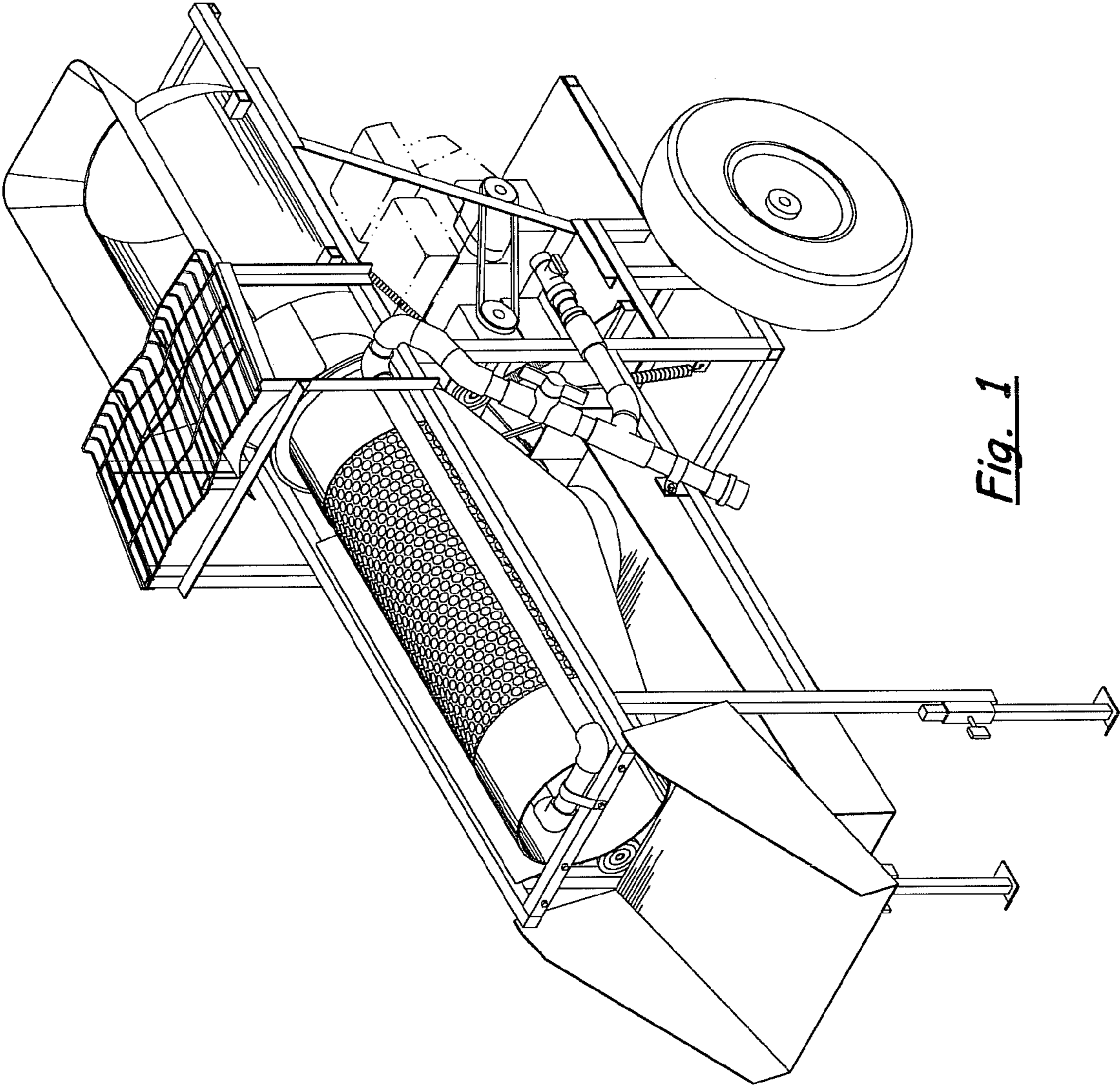


Fig. 1

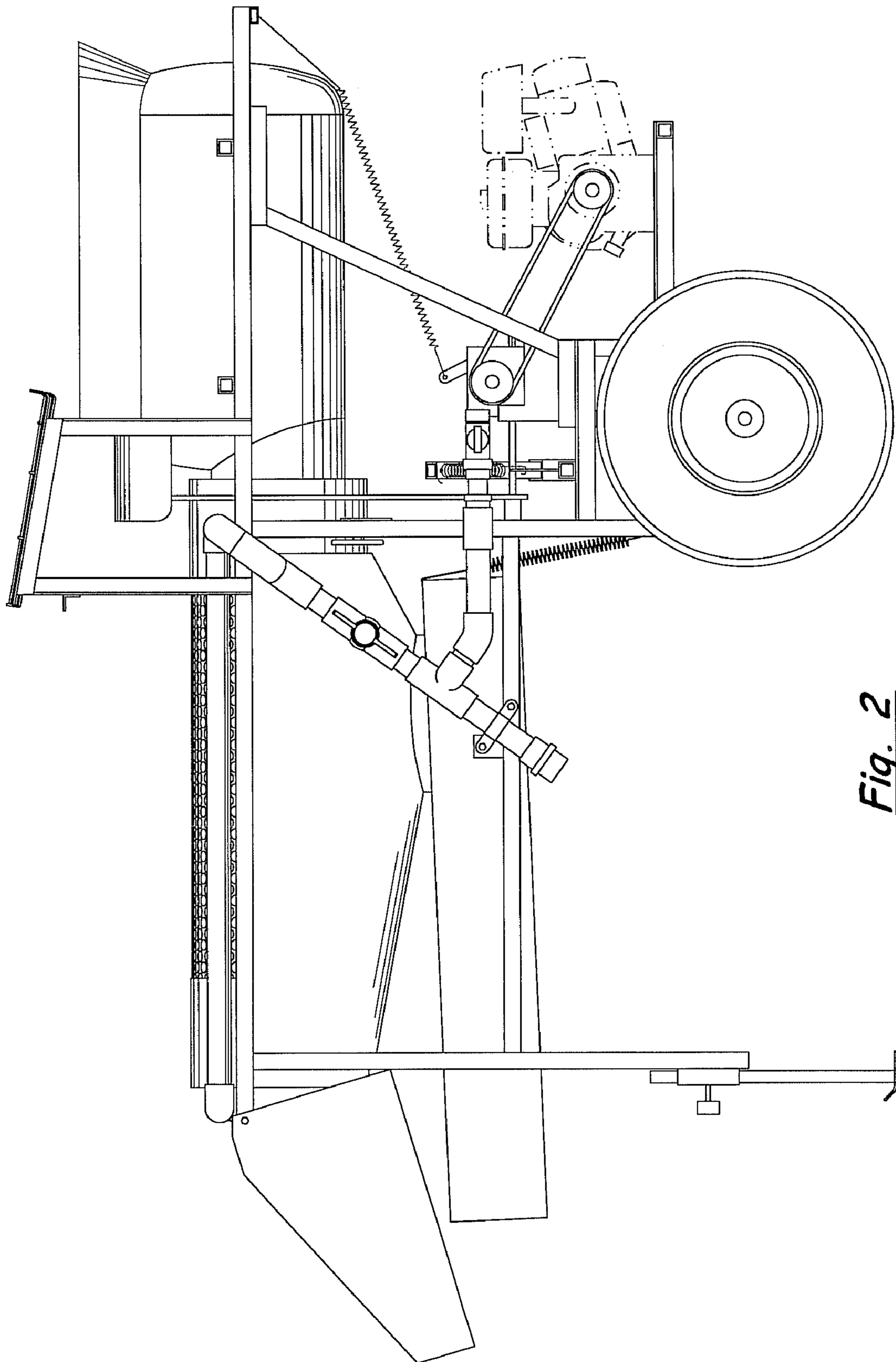


Fig. 2

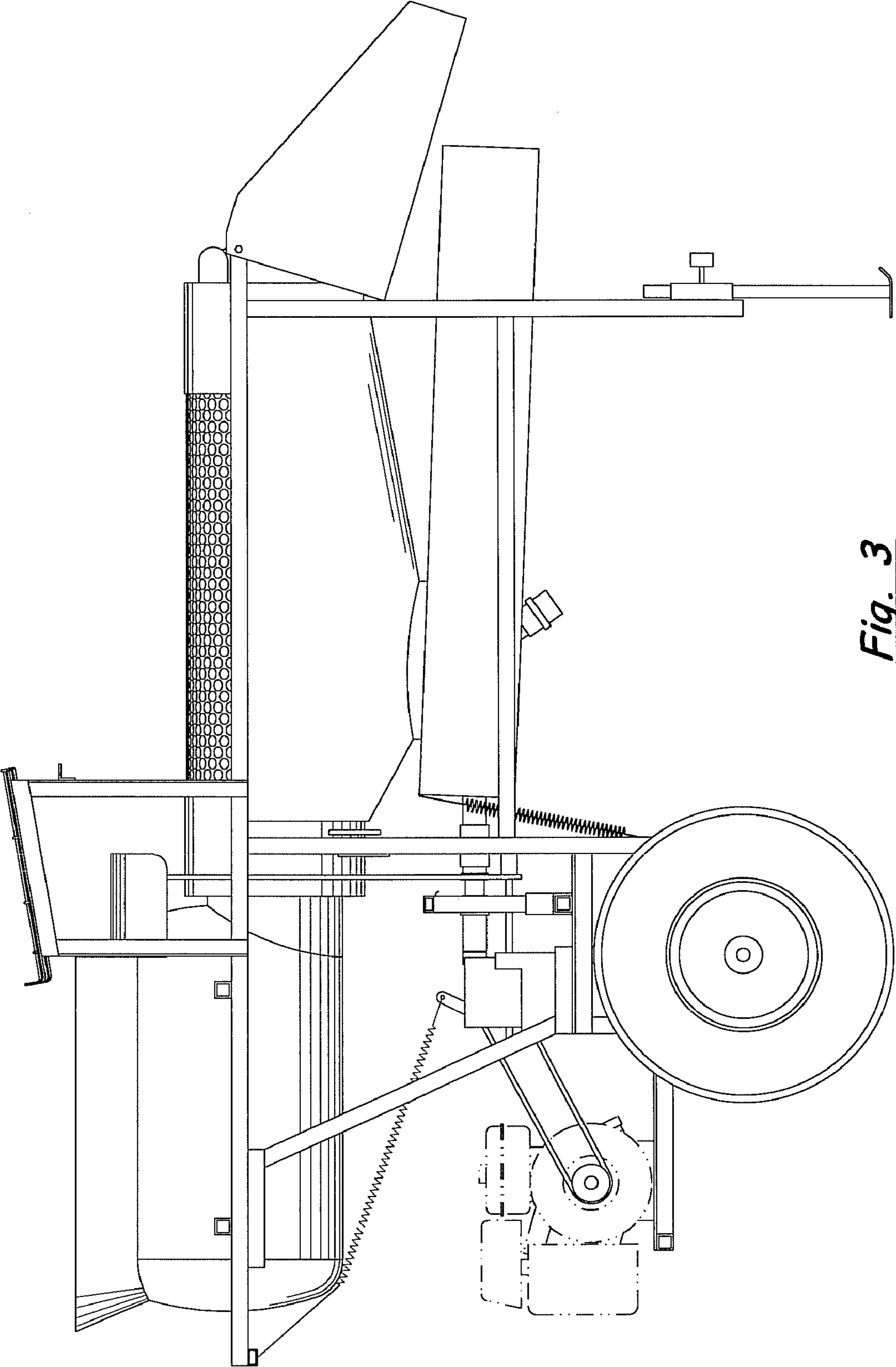


Fig. 3

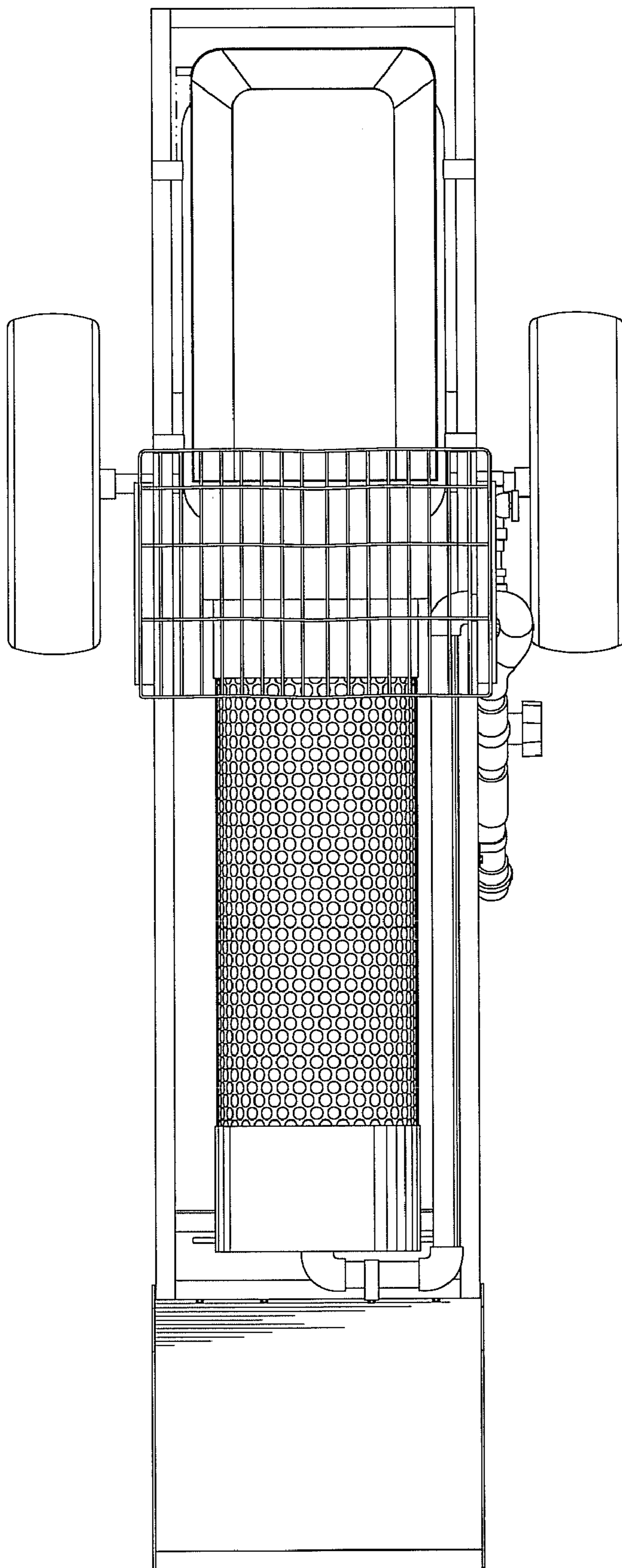


Fig. 4

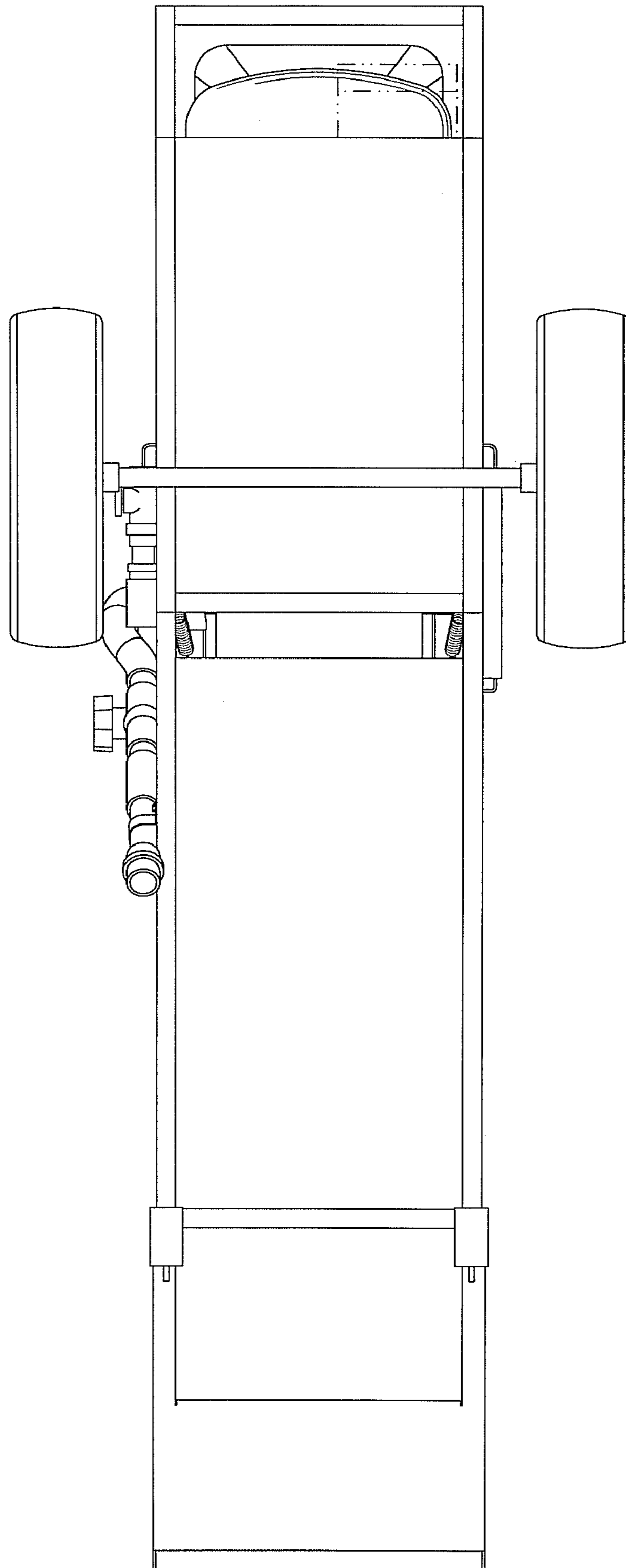


Fig. 5

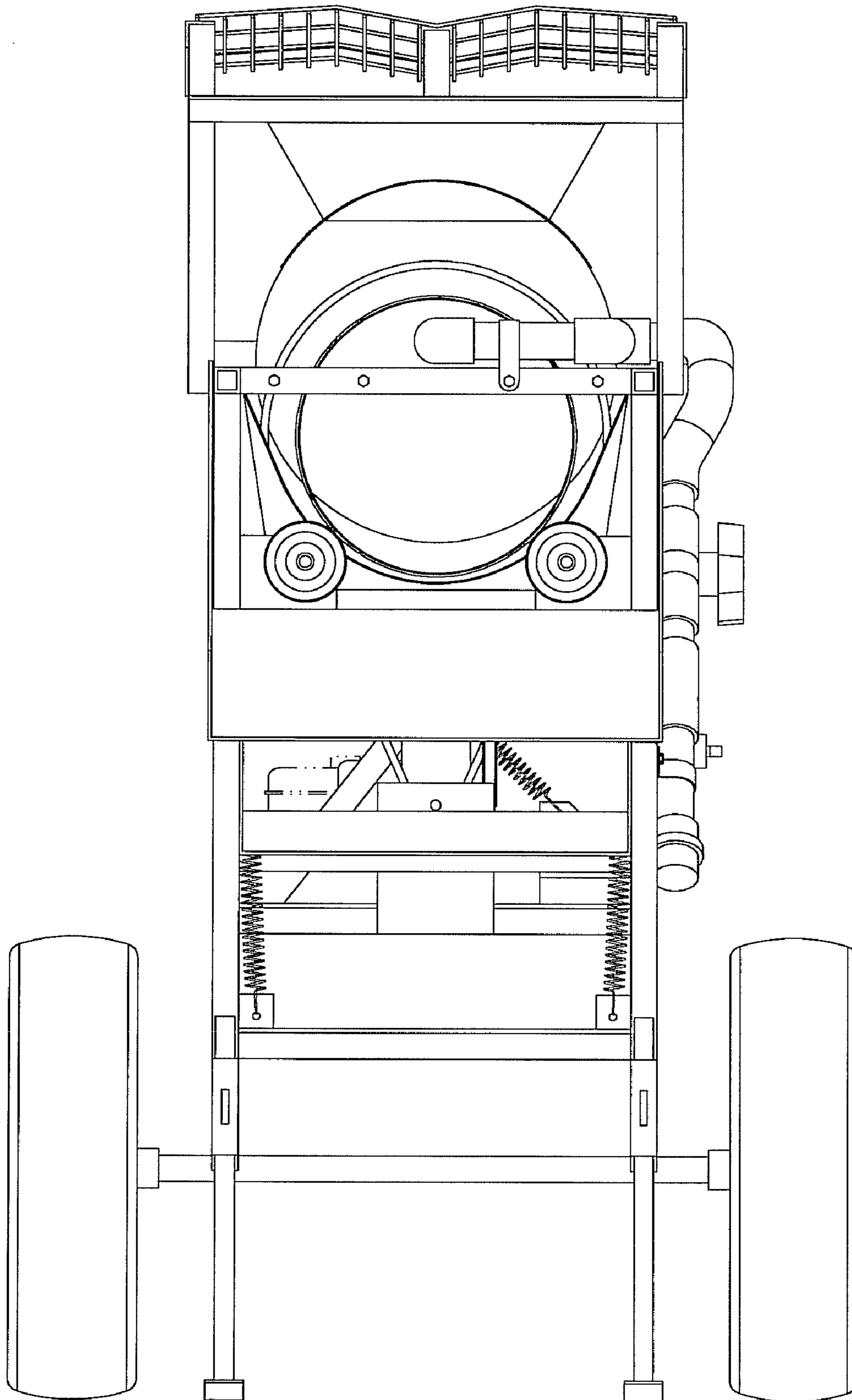


Fig. 6

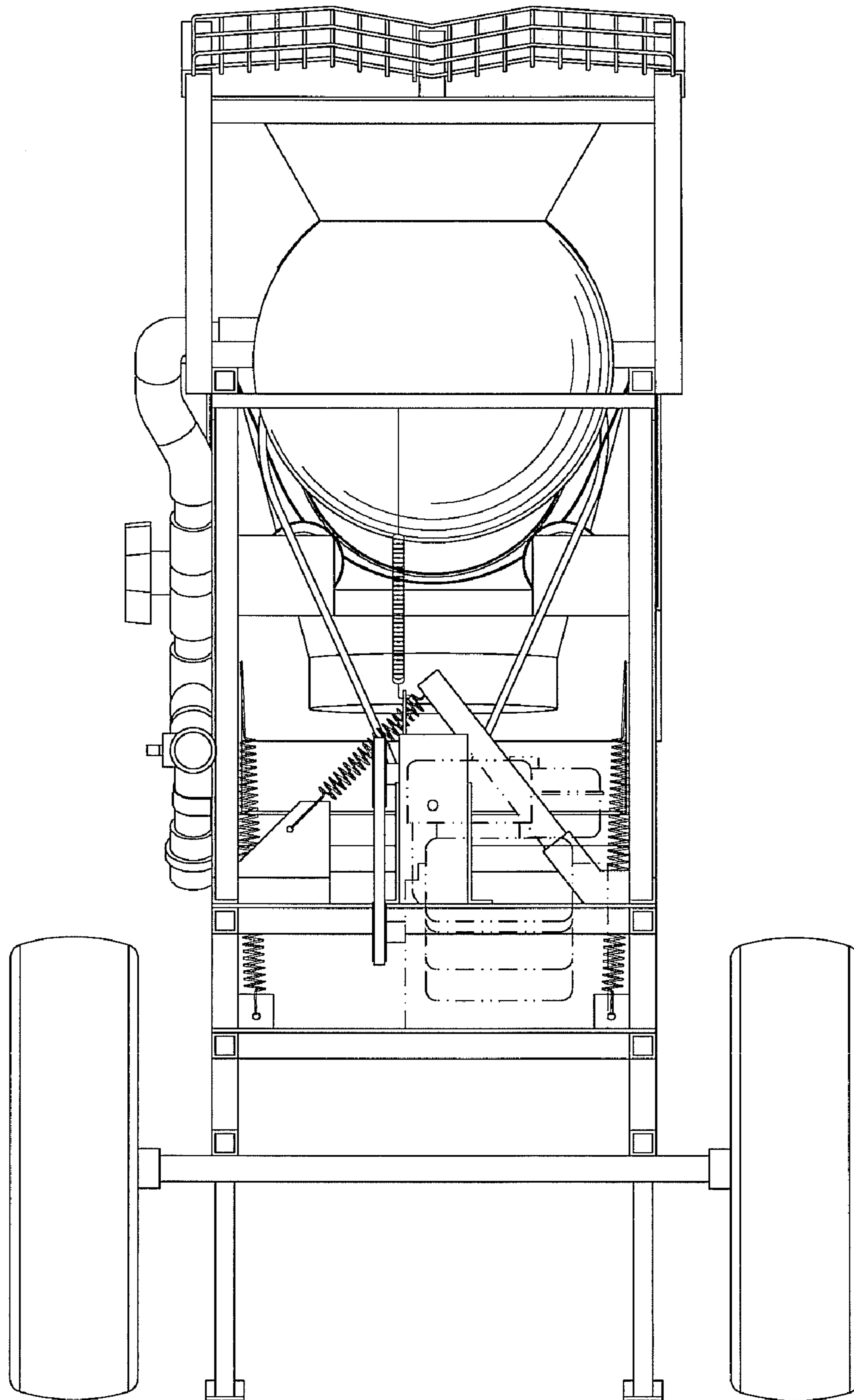


Fig. 7