

US00D631897S

(12) **United States Design Patent**
Major et al.

(10) **Patent No.:** **US D631,897 S**
(45) **Date of Patent:** **** Feb. 1, 2011**

(54) **LOADER MACHINE**

(75) Inventors: **Gary Edmund Major**, Nantwich (GB);
Patrick John Colaes, Savannah, GA
(US); **Andrew John Fayle**, Beeton (GB)

(73) Assignee: **J.C. Bamford Excavators Limited of**
Rocester, Utttoxeter (GB)

(**) Term: **14 Years**

(21) Appl. No.: **29/366,992**

(22) Filed: **Aug. 2, 2010**

(30) **Foreign Application Priority Data**

Feb. 11, 2009 (EM) 001669102-0001

(51) **LOC (9) Cl.** **12-09**

(52) **U.S. Cl.** **D15/23**

(58) **Field of Classification Search** D15/22–26,
D15/28, 30, 33; D12/96; D34/34–37; 180/89.1,
180/89.12, 900, 311, 312; 280/756, 781,
280/785; 296/102; 414/914, 680, 685, 686,
414/700, 710, 503

See application file for complete search history.

(56) **References Cited**

U.S. PATENT DOCUMENTS

D224,588 S *	8/1972	Bauer	D15/23
D231,482 S *	4/1974	Bauer	D15/25
4,055,262 A *	10/1977	Bauer et al.	414/697
4,060,261 A *	11/1977	Bauer et al.	280/756
D247,814 S *	5/1978	Johnson et al.	D15/23
D251,088 S *	2/1979	Johnson et al.	D15/23
4,150,474 A *	4/1979	Bauer et al.	29/463
D271,151 S *	10/1983	Kirby et al.	D34/35
D271,397 S *	11/1983	Kuhn et al.	D15/25
D314,389 S *	2/1991	Lynnes et al.	D15/25
D317,926 S *	7/1991	Lynnes et al.	D15/25
5,029,918 A *	7/1991	Albright et al.	293/126
D322,792 S *	12/1991	Park	D15/25
D348,553 S *	7/1994	Martin, Jr.	D34/37
D362,099 S *	9/1995	Heiler	D34/34

D376,372 S *	12/1996	Little et al.	D15/23
5,666,794 A *	9/1997	Vought et al.	56/15.2
D407,416 S *	3/1999	Miller et al.	D15/28
D407,417 S *	3/1999	Miller et al.	D15/28
D419,568 S *	1/2000	Baig et al.	D15/25
D423,521 S *	4/2000	Walter et al.	D15/23
D424,778 S *	5/2000	Dahl et al.	D34/34
6,132,163 A *	10/2000	Andrews et al.	414/685
D438,878 S *	3/2001	Brandenburg et al.	D15/30
6,205,665 B1 *	3/2001	Anderson et al.	29/897.2
D446,225 S *	8/2001	Brandenburg et al.	D15/30
D449,417 S *	10/2001	Snyder	D34/37
D450,718 S *	11/2001	Muraro	D15/25
D468,754 S *	1/2003	Dershem et al.	D15/28
6,733,062 B1 *	5/2004	Albright et al.	296/51
D492,327 S *	6/2004	Albright et al.	D15/23

(Continued)

Primary Examiner—Mark A Goodwin

(74) *Attorney, Agent, or Firm*—Goodman, Allen & Filetti
PLLC

(57) **CLAIM**

The ornamental design for a loader machine, as shown and described.

DESCRIPTION

FIG. 1 is a right front perspective view of a loader machine showing our new design.

FIG. 2 is a left rear perspective view thereof.

FIG. 3 is a right side elevational view thereof.

FIG. 4 is a left side elevational view thereof.

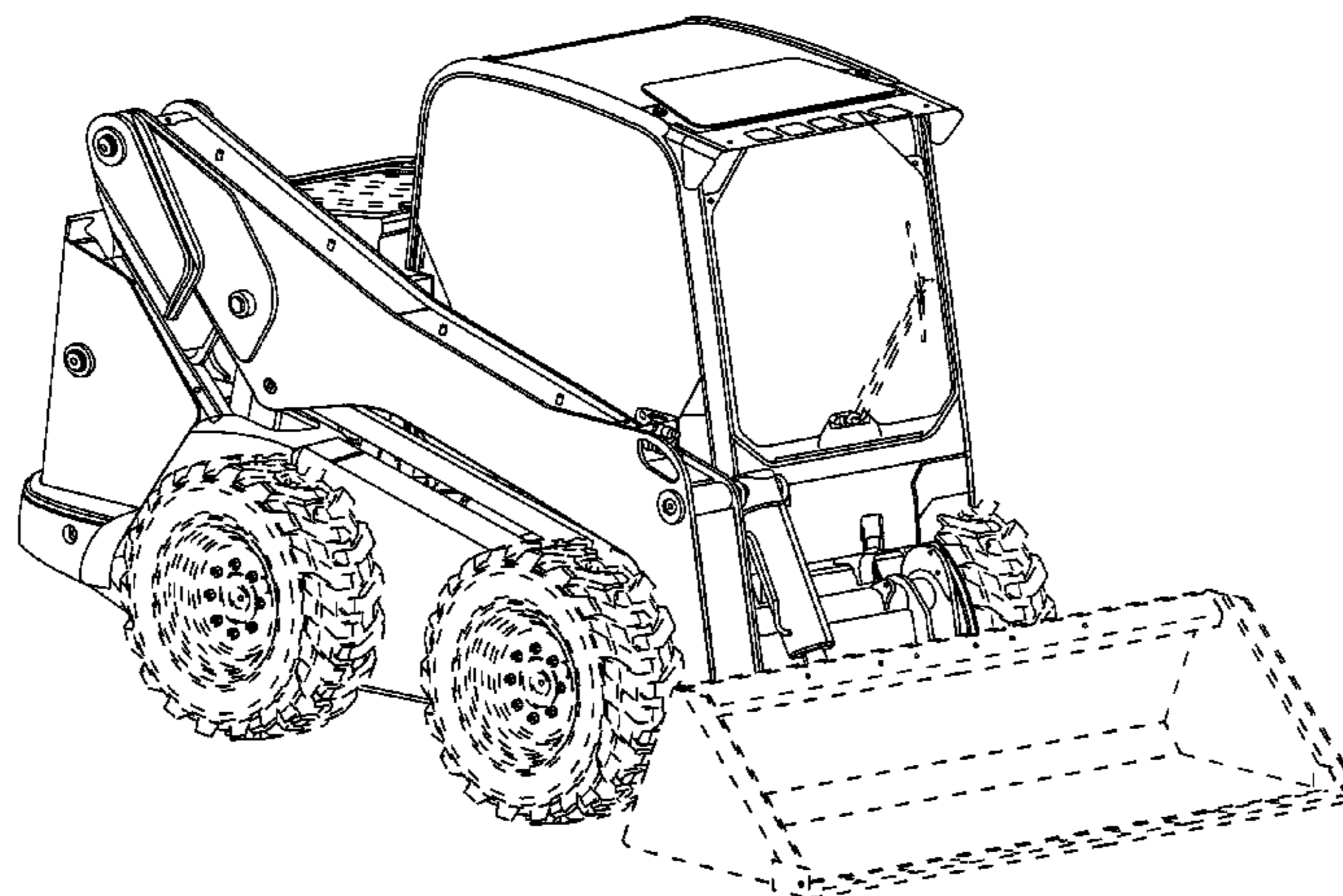
FIG. 5 is a front elevational view thereof.

FIG. 6 is a rear elevational view thereof; and,

FIG. 7 is a top plan view thereof.

The broken line showing of the windshield wiper, the engine cover formations, the bucket, and the wheels throughout is included for the purpose of illustrating environmental structure and forms no part of the claimed design.

1 Claim, 7 Drawing Sheets



US D631,897 S

Page 2

U.S. PATENT DOCUMENTS			
D504,136 S *	4/2005	Albright et al.	D15/23
6,997,667 B2 *	2/2006	Hackett et al.	414/685
D520,525 S *	5/2006	Enmeiji et al.	D15/23
7,156,200 B2 *	1/2007	Dershem et al.	180/311
D572,276 S *	7/2008	Pinther et al.	D15/23
D572,277 S *	7/2008	Pinther et al.	D15/23

* cited by examiner

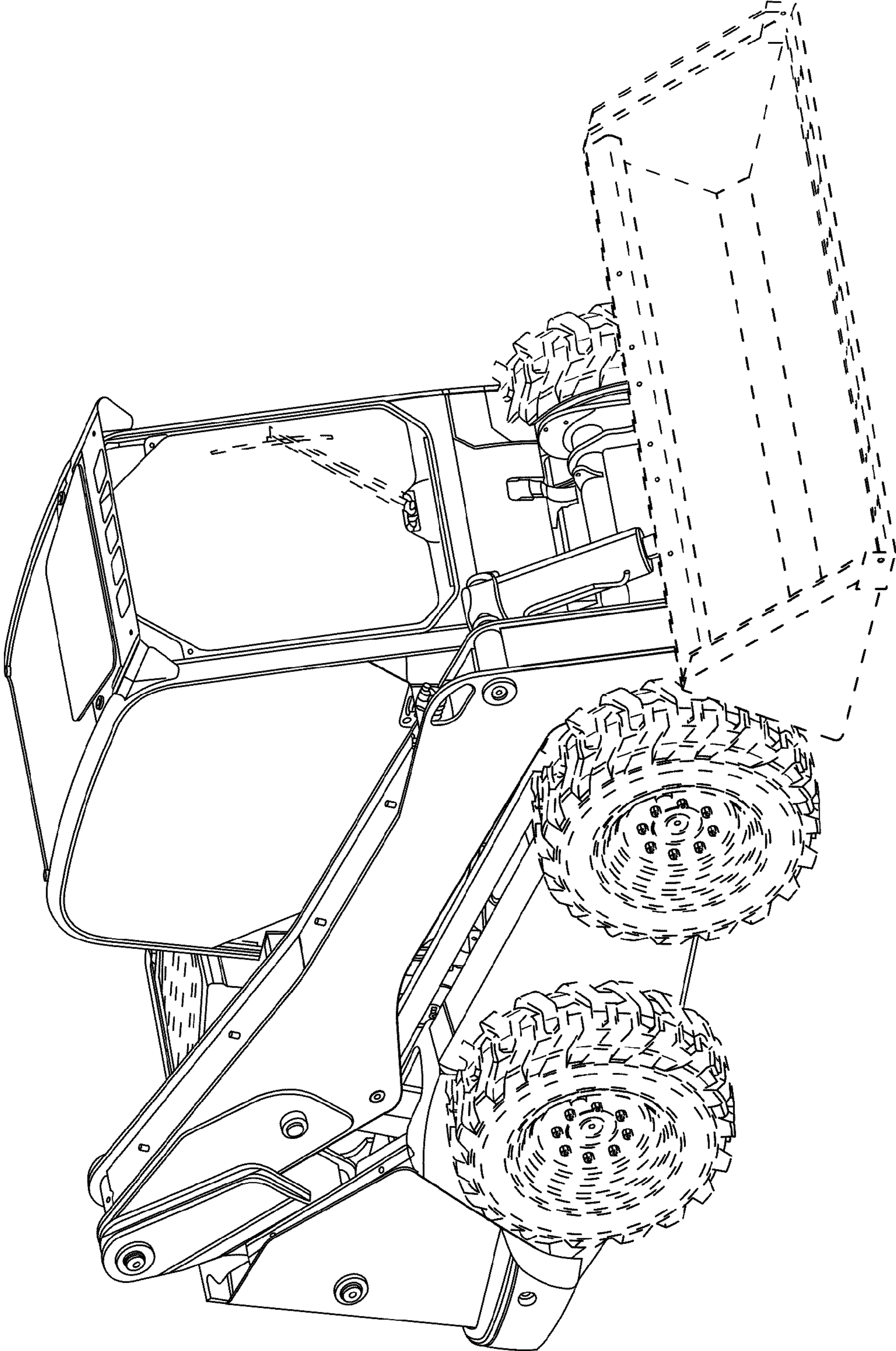


FIG. 1

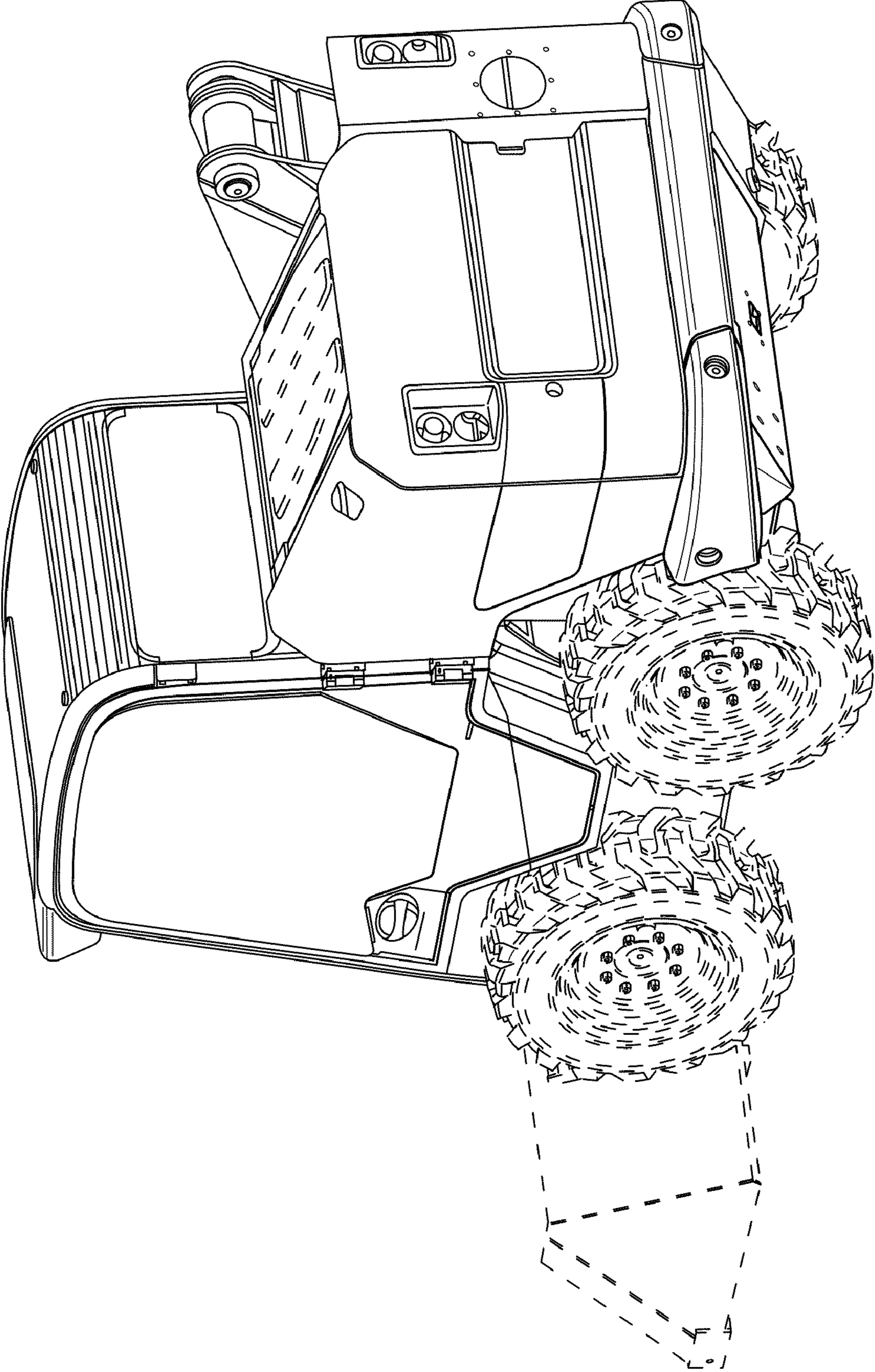


FIG. 2

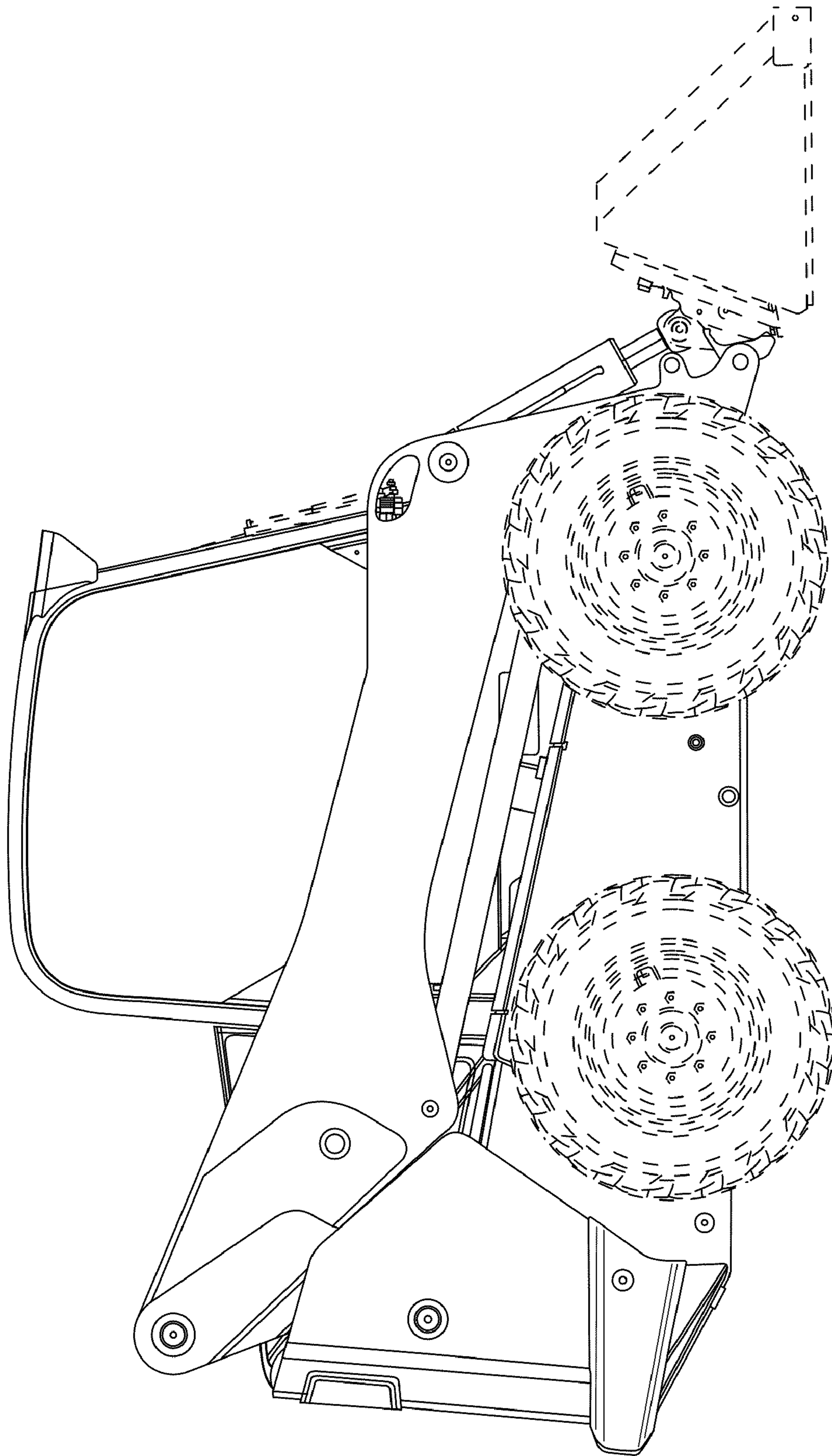


FIG. 3

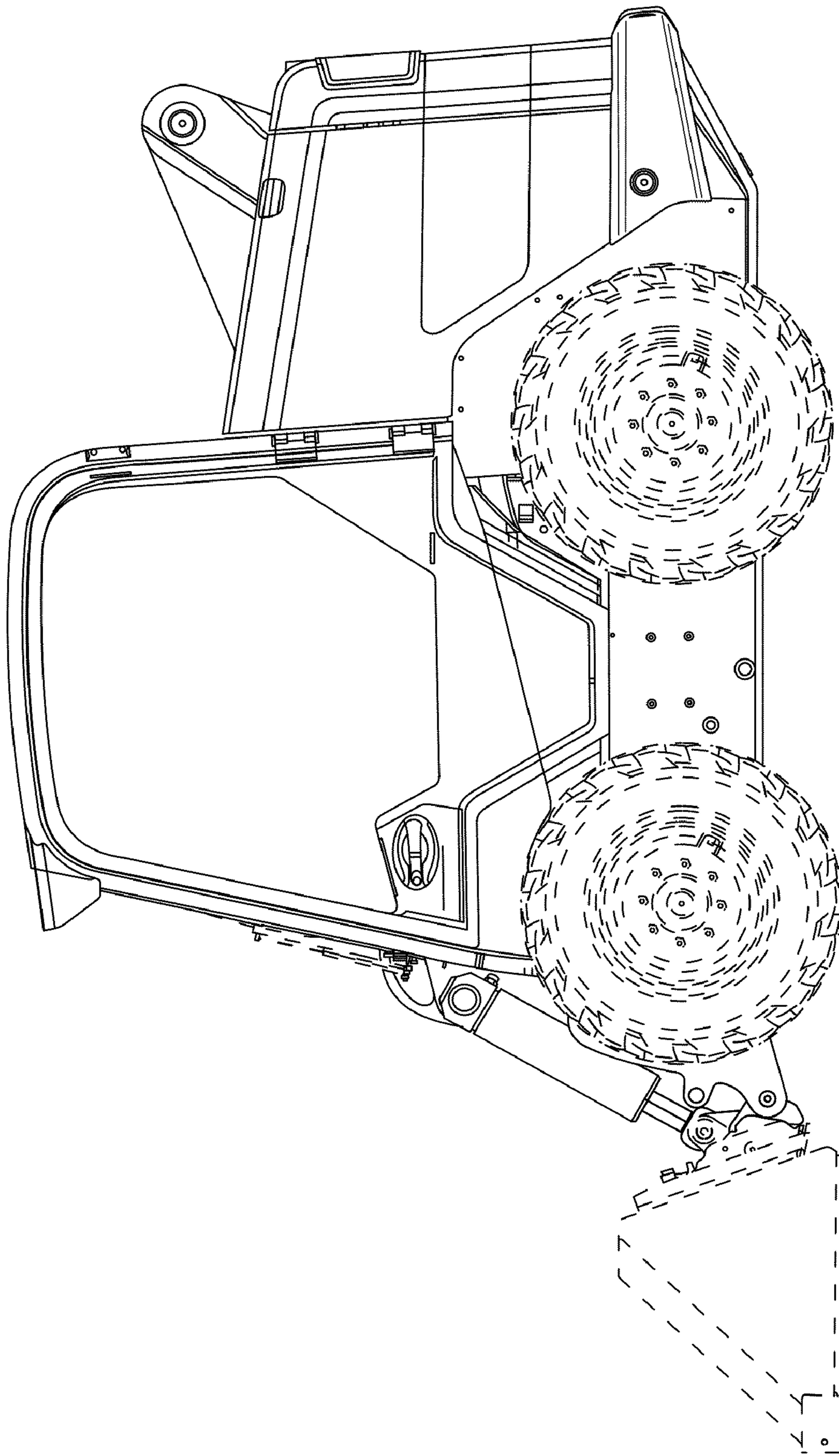


FIG. 4

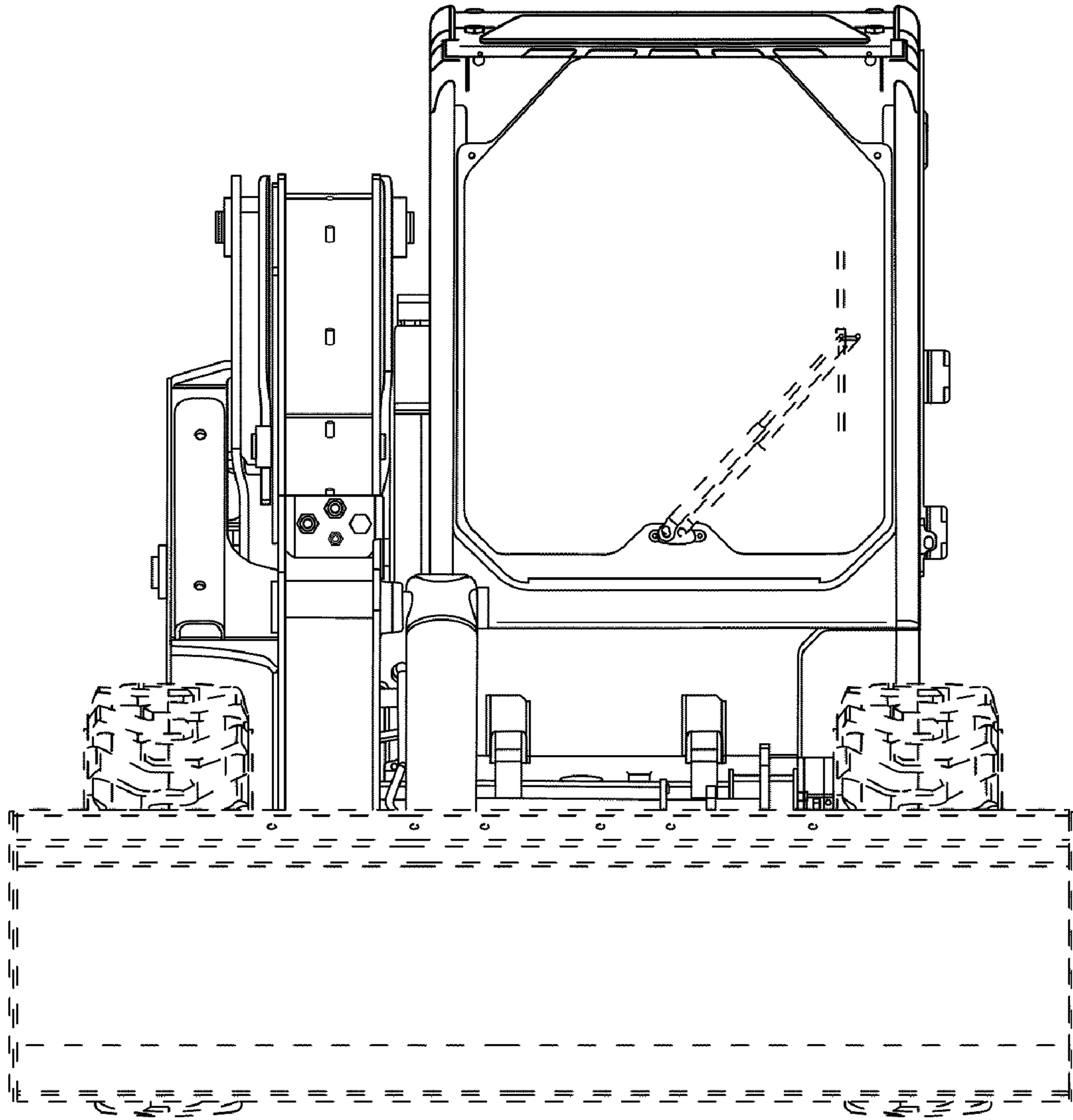


FIG. 5

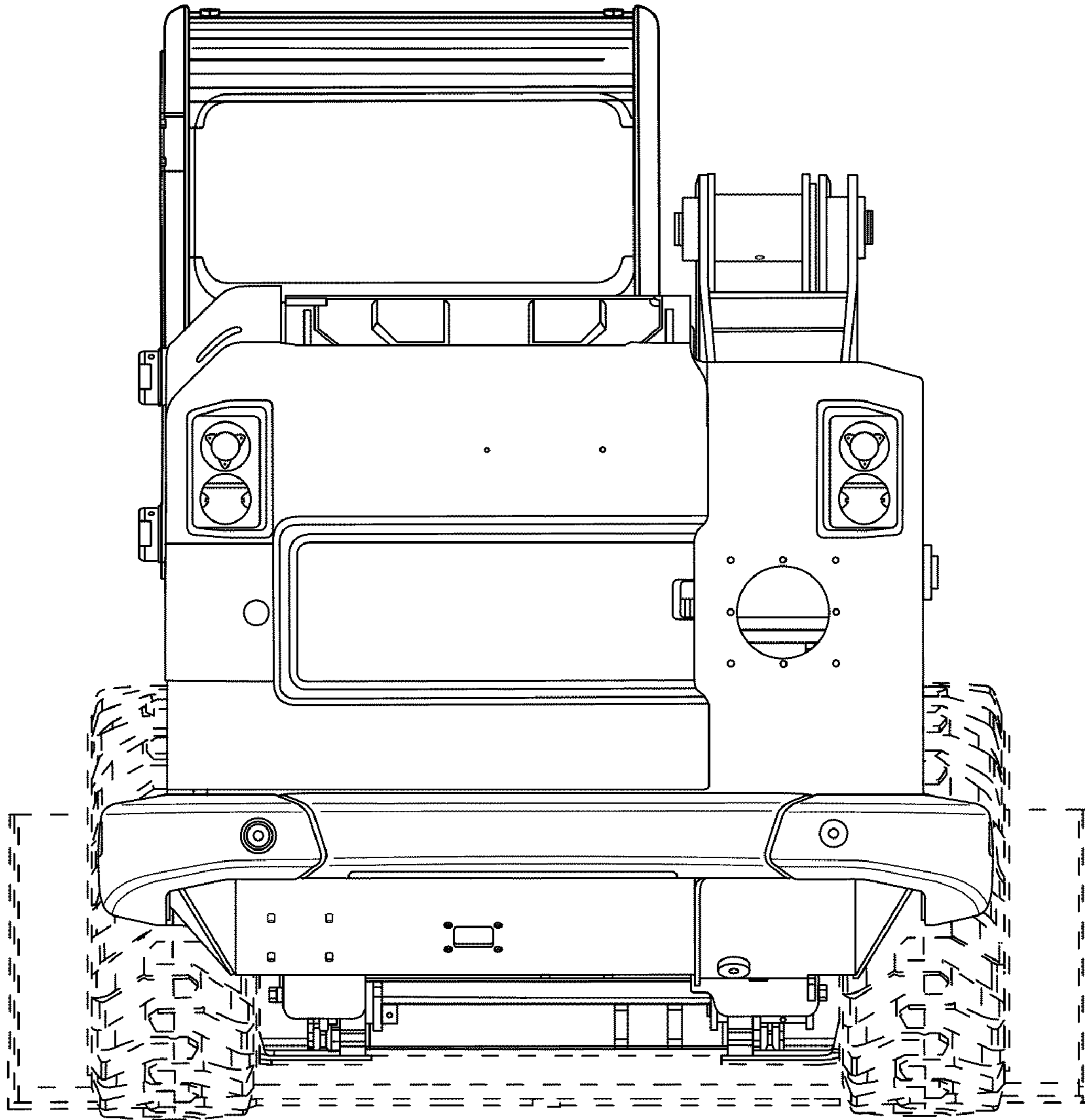


FIG. 6

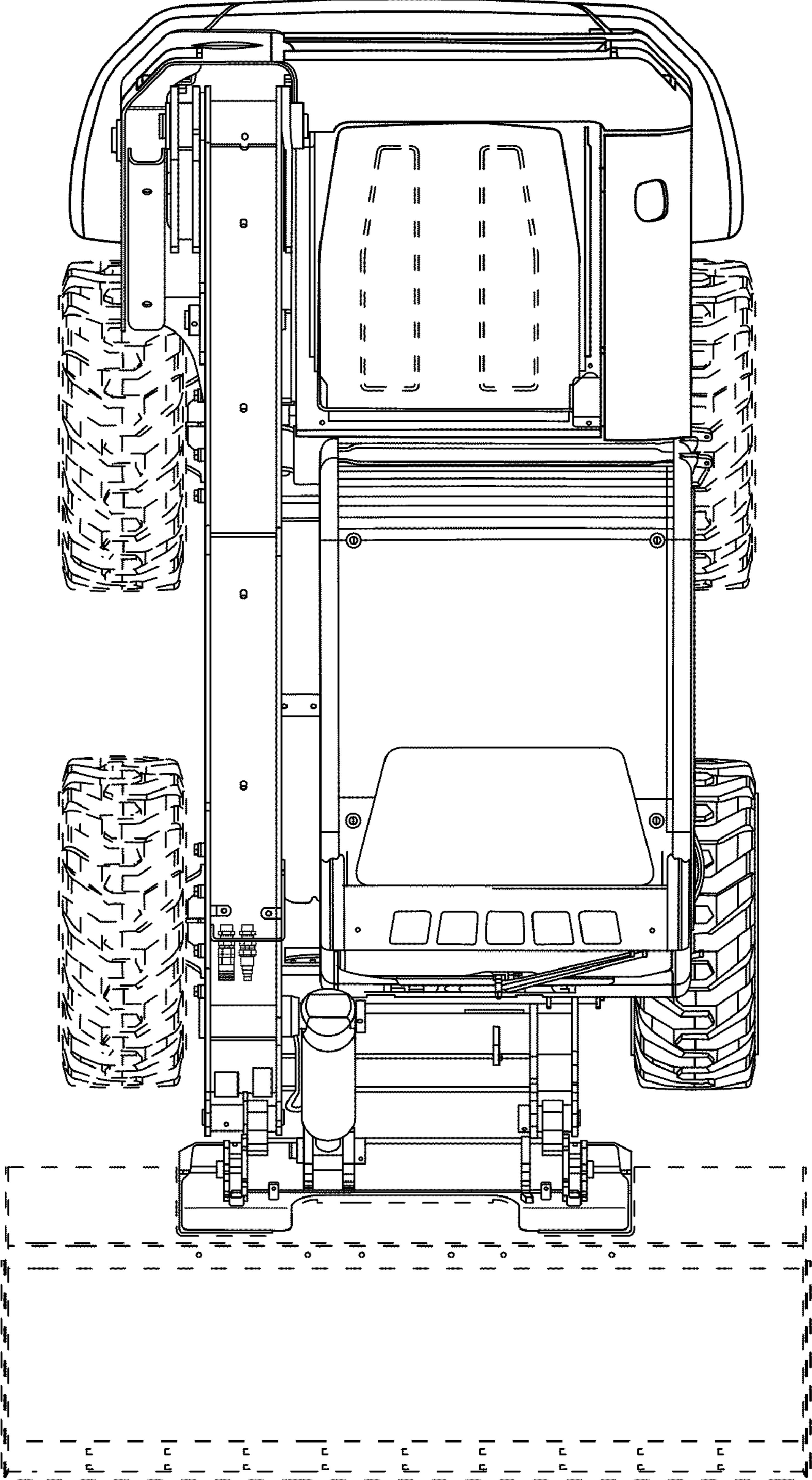


FIG. 7

UNITED STATES PATENT AND TRADEMARK OFFICE
CERTIFICATE OF CORRECTION

PATENT NO. : D631,897 S
APPLICATION NO. : 29/366992
DATED : February 1, 2011
INVENTOR(S) : Major et al.

Page 1 of 1

It is certified that error appears in the above-identified patent and that said Letters Patent is hereby corrected as shown below:

Title Page;

The priority date in Item (30) Foreign Application Priority Data in the left column of the face page reading "Feb. 11, 2009" should read --Feb. 11, 2010--.

Signed and Sealed this
Nineteenth Day of April, 2011

A handwritten signature in black ink that reads "David J. Kappos". The signature is written in a cursive style with a large initial 'D' and 'K'.

David J. Kappos
Director of the United States Patent and Trademark Office