



US00D631896S

(12) **United States Design Patent**
Spies

(10) **Patent No.:** **US D631,896 S**

(45) **Date of Patent:** **** Feb. 1, 2011**

(54) **VIBRATORY PLATE**

(75) **Inventor:** **Bernhard Spies, Furth (DE)**

(73) **Assignee:** **Wacker Neuson SE, Munich (DE)**

(**) **Term:** **14 Years**

(21) **Appl. No.:** **29/362,340**

(22) **Filed:** **May 24, 2010**

(30) **Foreign Application Priority Data**

Nov. 26, 2009 (EM) 001640459

(51) **LOC (9) Cl.** **15-03**

(52) **U.S. Cl.** **D15/20; D15/33**

(58) **Field of Classification Search** D15/20,
D15/10, 147, 33; 404/113, 133.1, 133.05,
404/114, 117; 74/61; 173/113, 118; 172/699;
56/11.3

See application file for complete search history.

(56) **References Cited**

U.S. PATENT DOCUMENTS

D183,297	S	*	8/1958	Brown	D15/20
D197,360	S	*	1/1964	Frohnaer, Jr.	D15/20
D227,166	S	*	6/1973	Briggs et al.	D15/20
D227,598	S	*	7/1973	Maass	D15/20
D235,374	S	*	6/1975	Aiello	D15/20
D240,336	S	*	6/1976	Maass	D15/20
D393,864	S	*	4/1998	Waldenberger et al.	D15/20
6,551,022	B1	*	4/2003	Stayner	404/133.1
6,588,977	B1	*	7/2003	Stayner	404/133.1
D517,094	S	*	3/2006	Stein et al.	D15/20

D518,070	S	*	3/2006	Schennach	D15/20
7,303,356	B2	*	12/2007	Schennach et al.	404/133.1
D604,335	S	*	11/2009	Hu	D15/20
D615,104	S	*	5/2010	Loew et al.	D15/20
D615,997	S	*	5/2010	Loew et al.	D15/20
2006/0083590	A1	*	4/2006	Schennach et al.	404/133.1
2008/0003058	A1	*	1/2008	Persson et al.	404/133.1
2008/0247824	A1	*	10/2008	Steffen	404/133.05
2009/0035065	A1	*	2/2009	Gavins	404/114

* cited by examiner

Primary Examiner—Mark A Goodwin

(74) *Attorney, Agent, or Firm*—Boyle Fredrickson, S.C.

(57) **CLAIM**

The ornamental design for a vibratory plate, as shown and described.

DESCRIPTION

FIG. 1 is a top right rear isometric view of a vibratory plate showing my new design;

FIG. 2 is a top left front isometric view thereof;

FIG. 3 is a right side elevation view thereof;

FIG. 4 is a left side elevation view thereof;

FIG. 5 is front elevation view thereof;

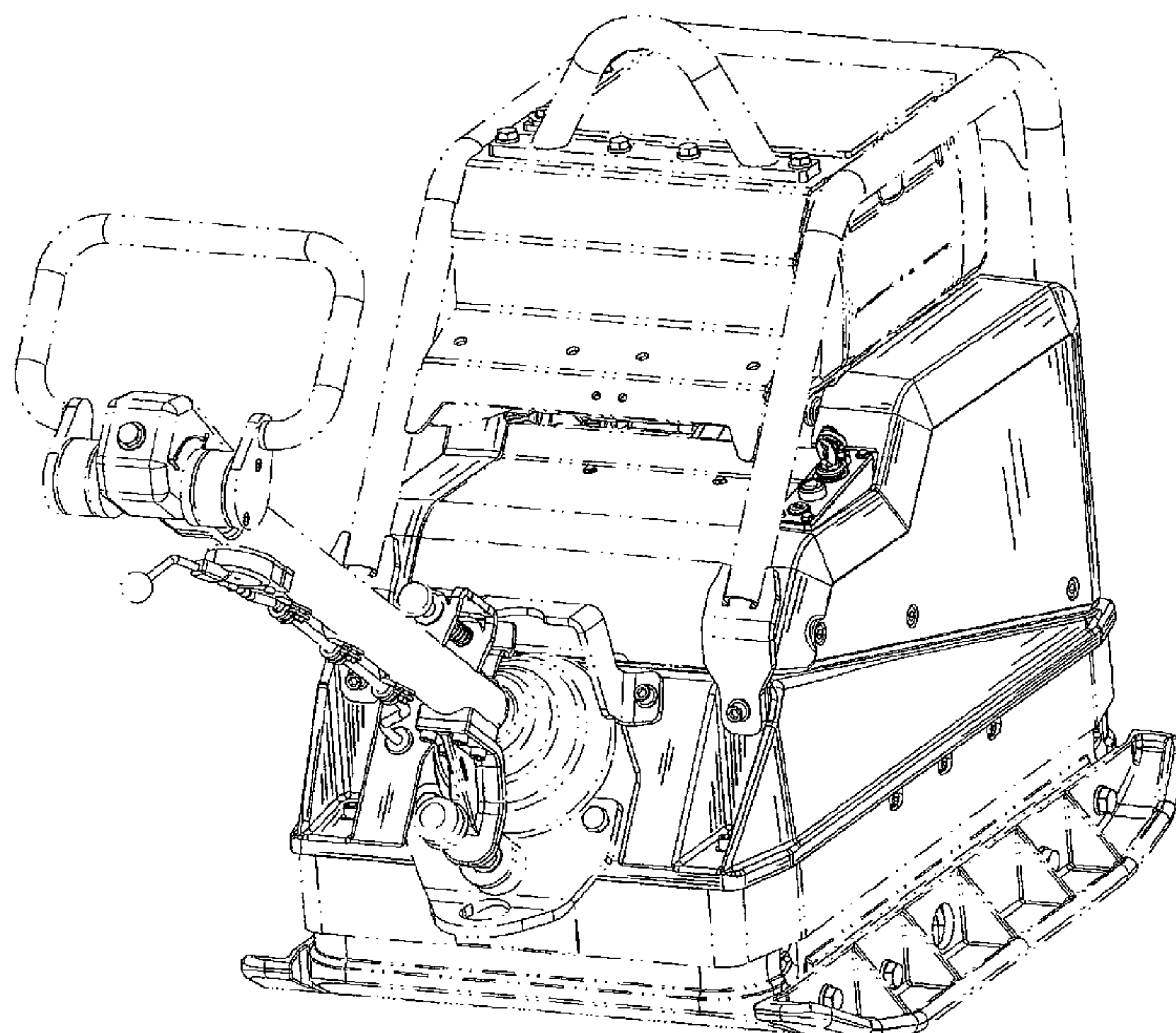
FIG. 6 is a rear elevation view thereof;

FIG. 7 is a top plan view thereof; and,

FIG. 8 is a bottom plan view thereof.

The broken lines in FIGS. 1-8 are for illustrative purposes only and form no part of the claimed design.

1 Claim, 8 Drawing Sheets



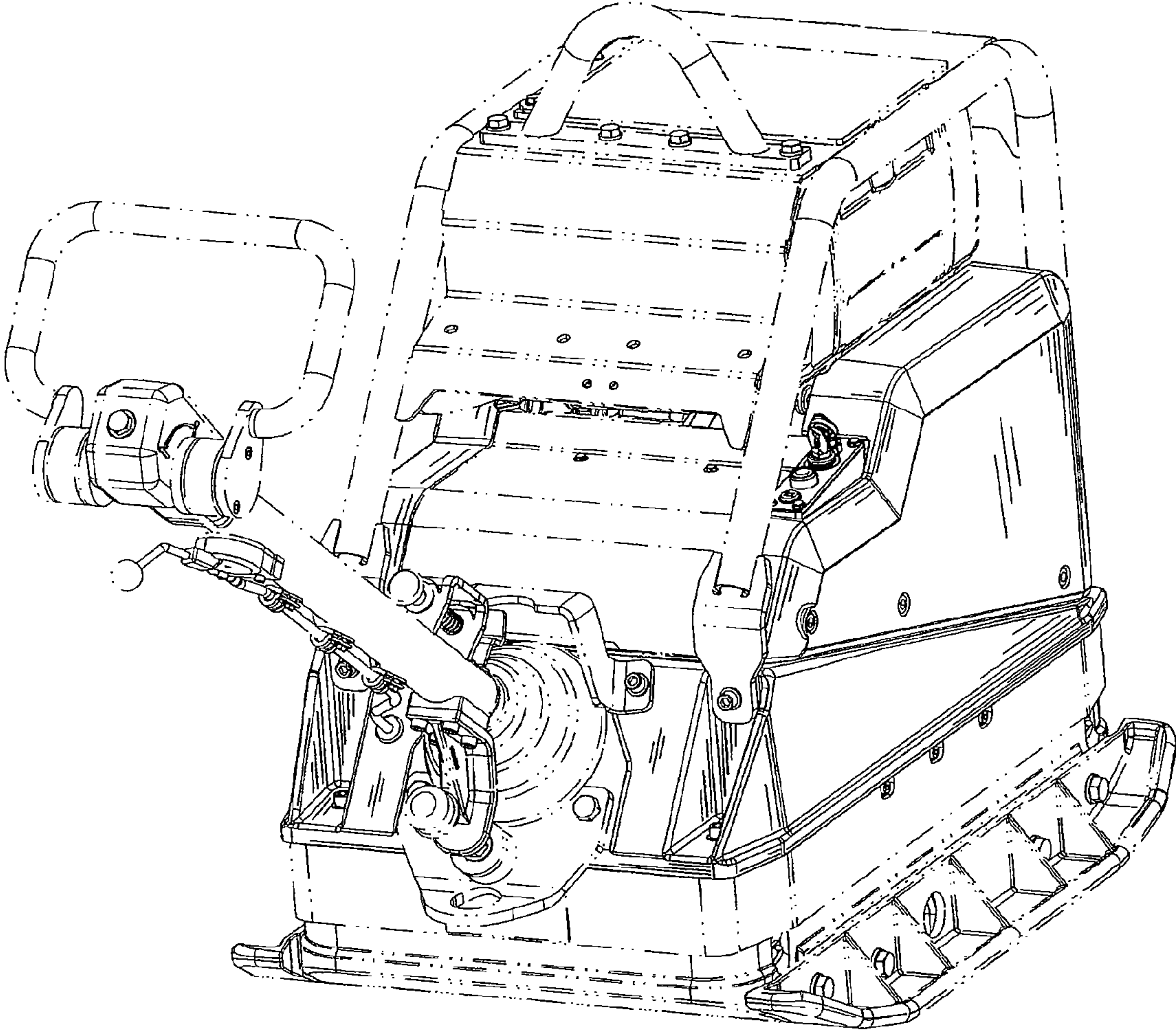


FIG. 1

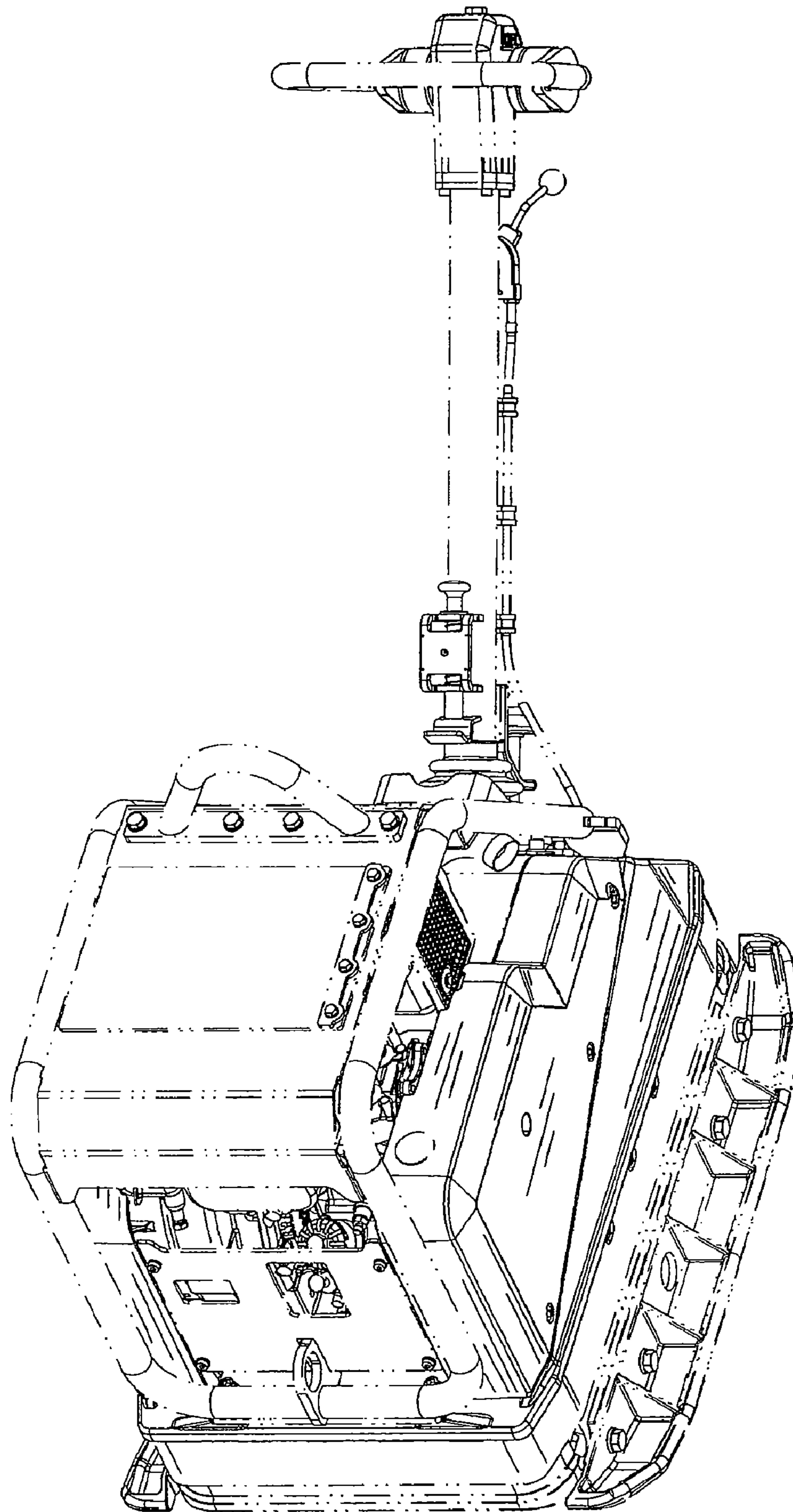


FIG. 2

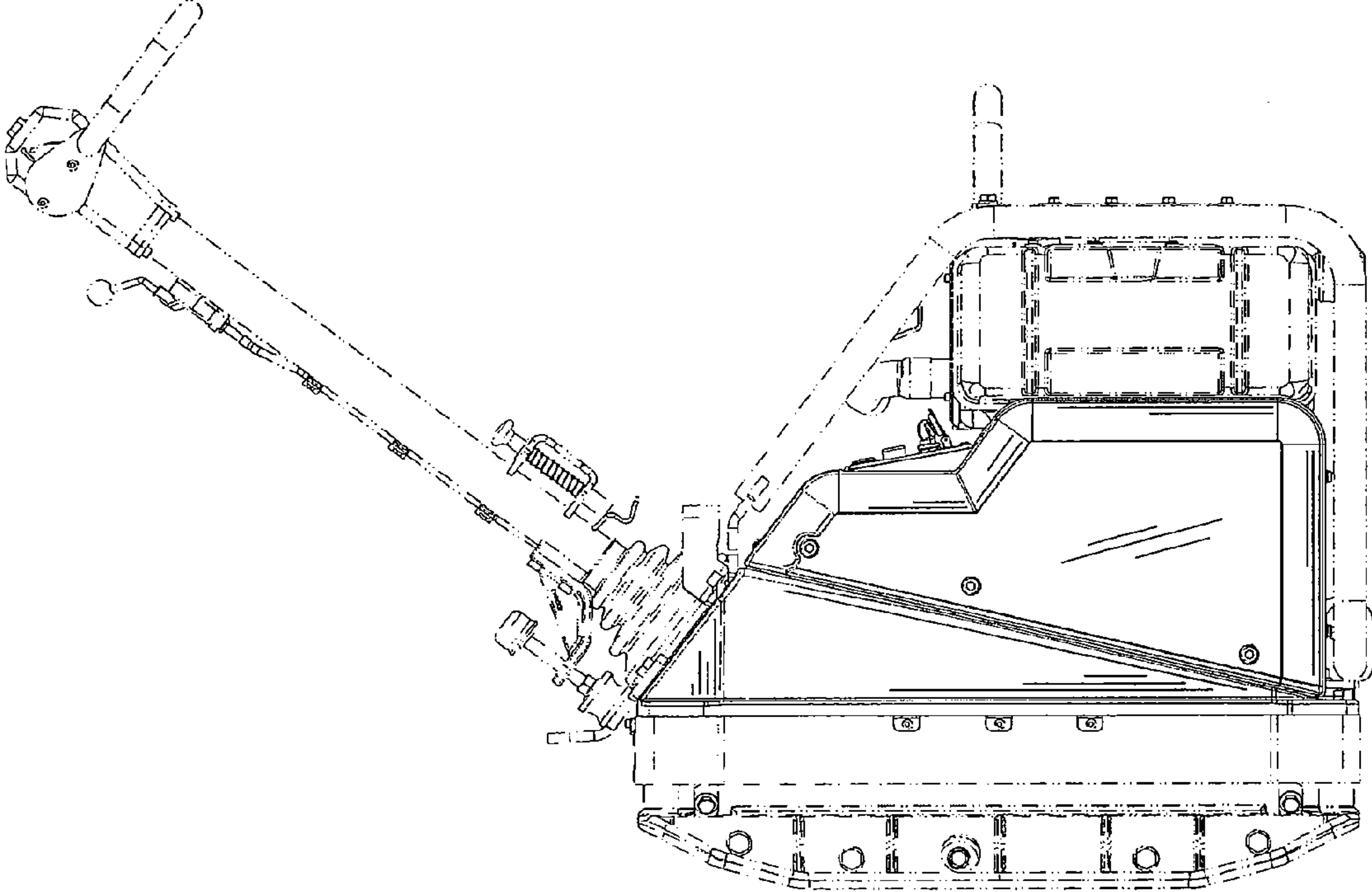


FIG. 3

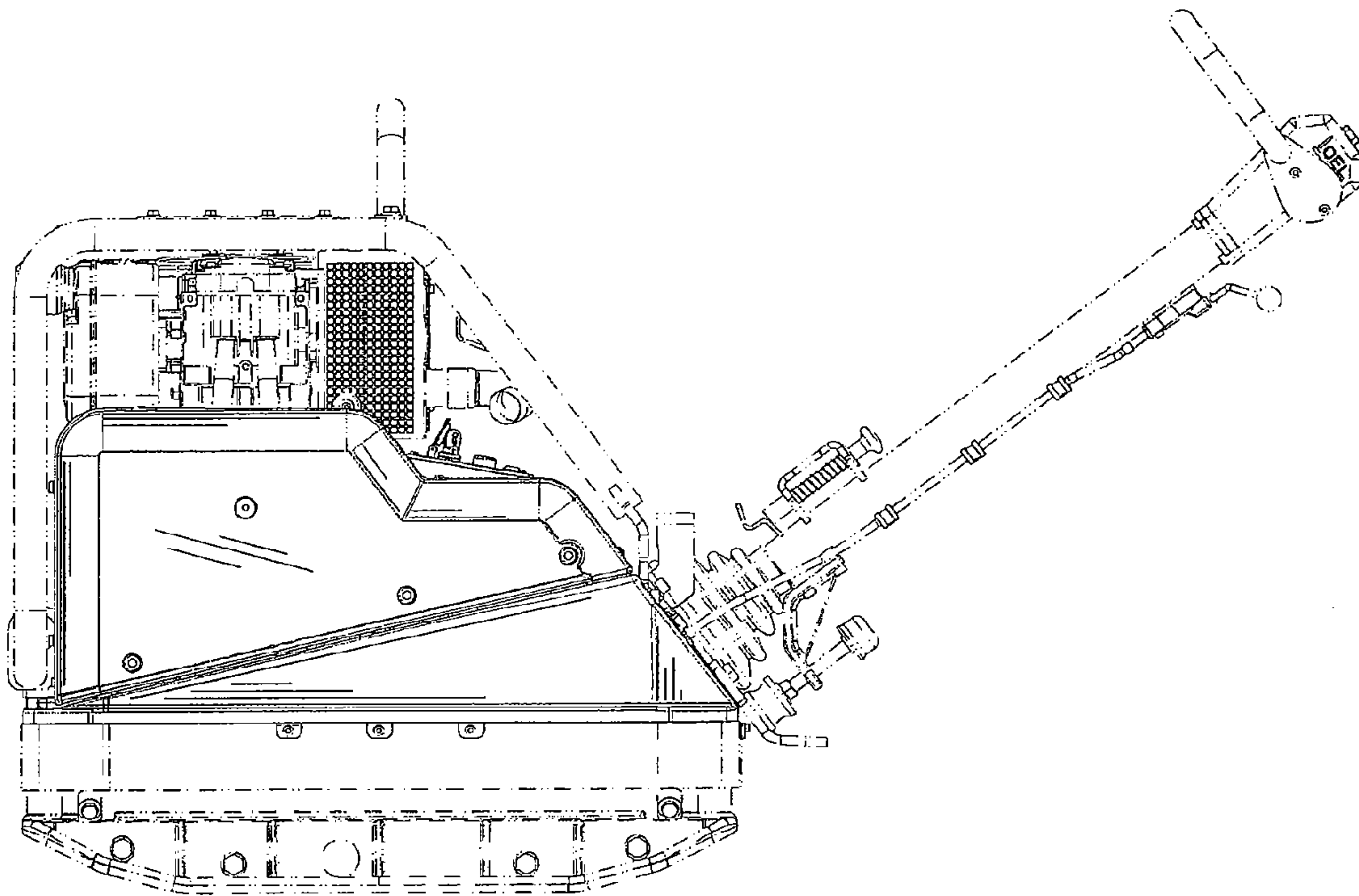


FIG. 4

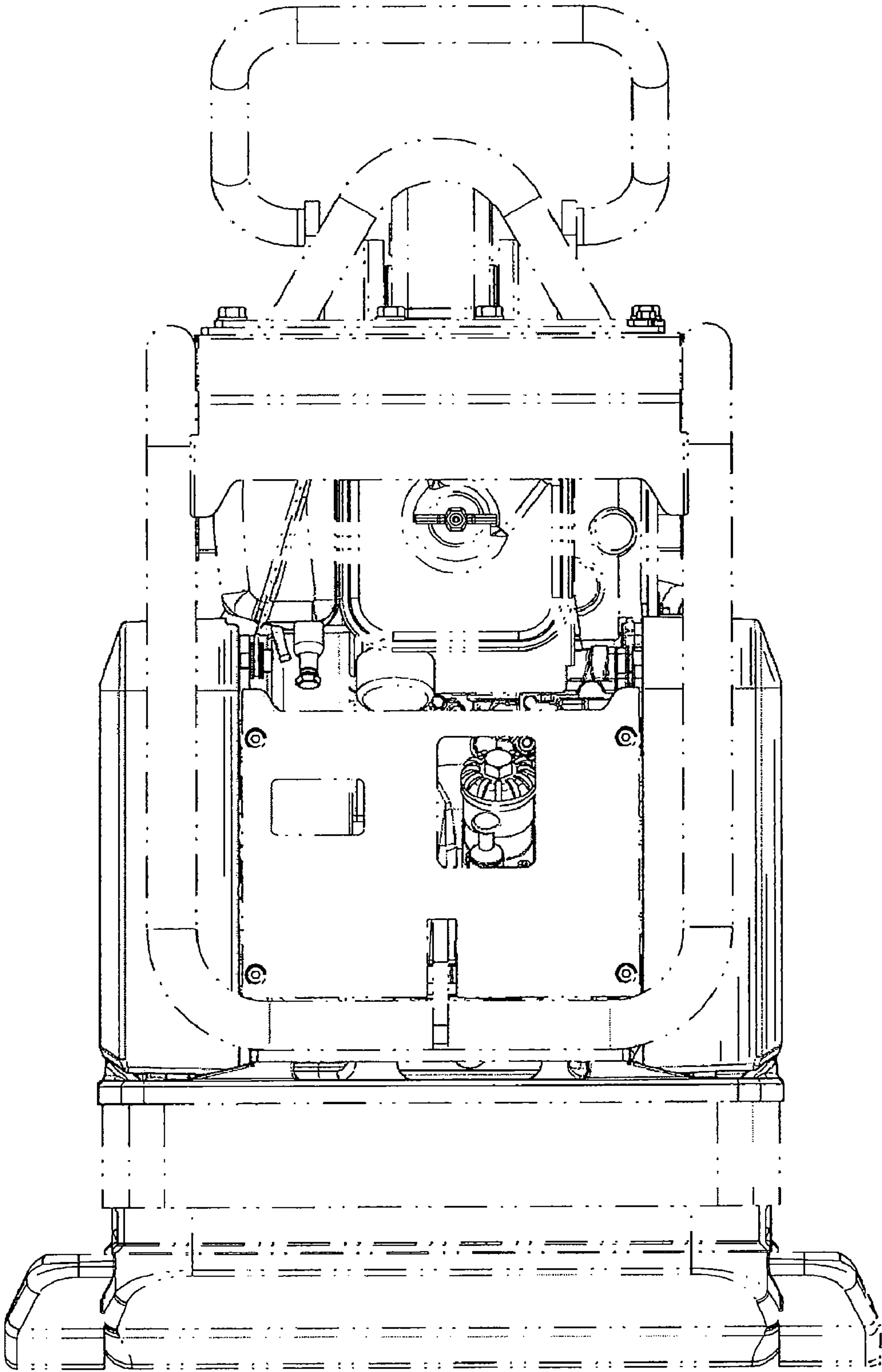


FIG. 5

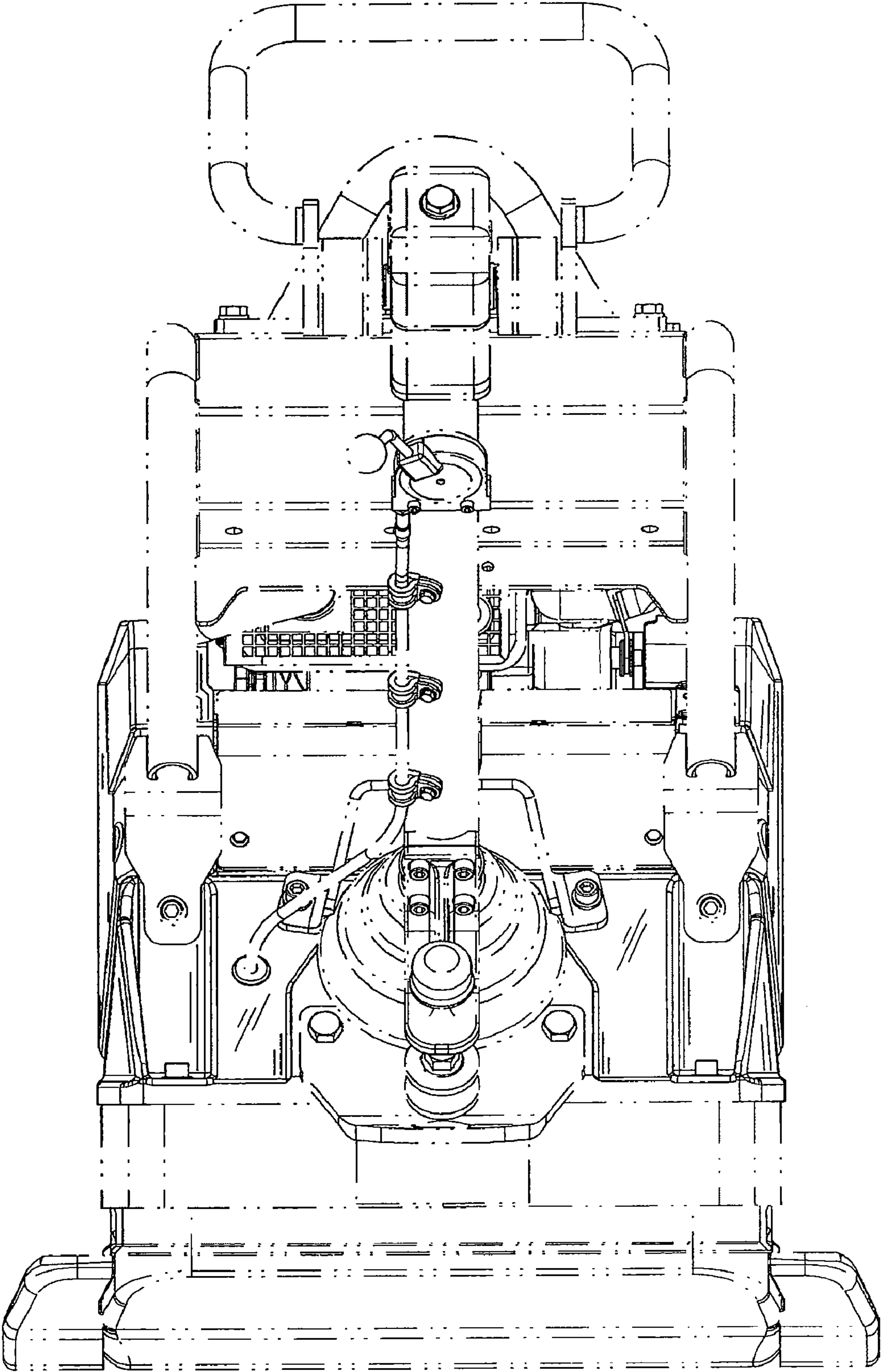


FIG. 6

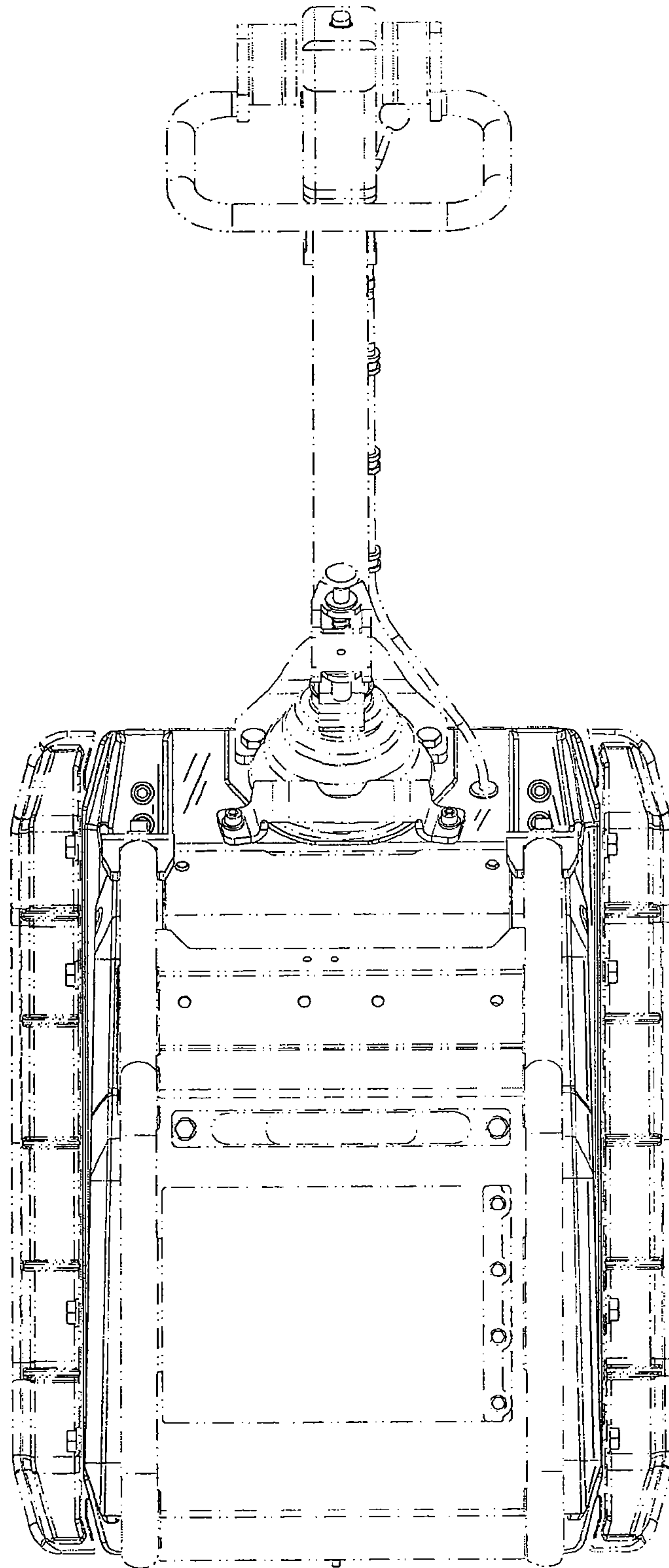


FIG. 7

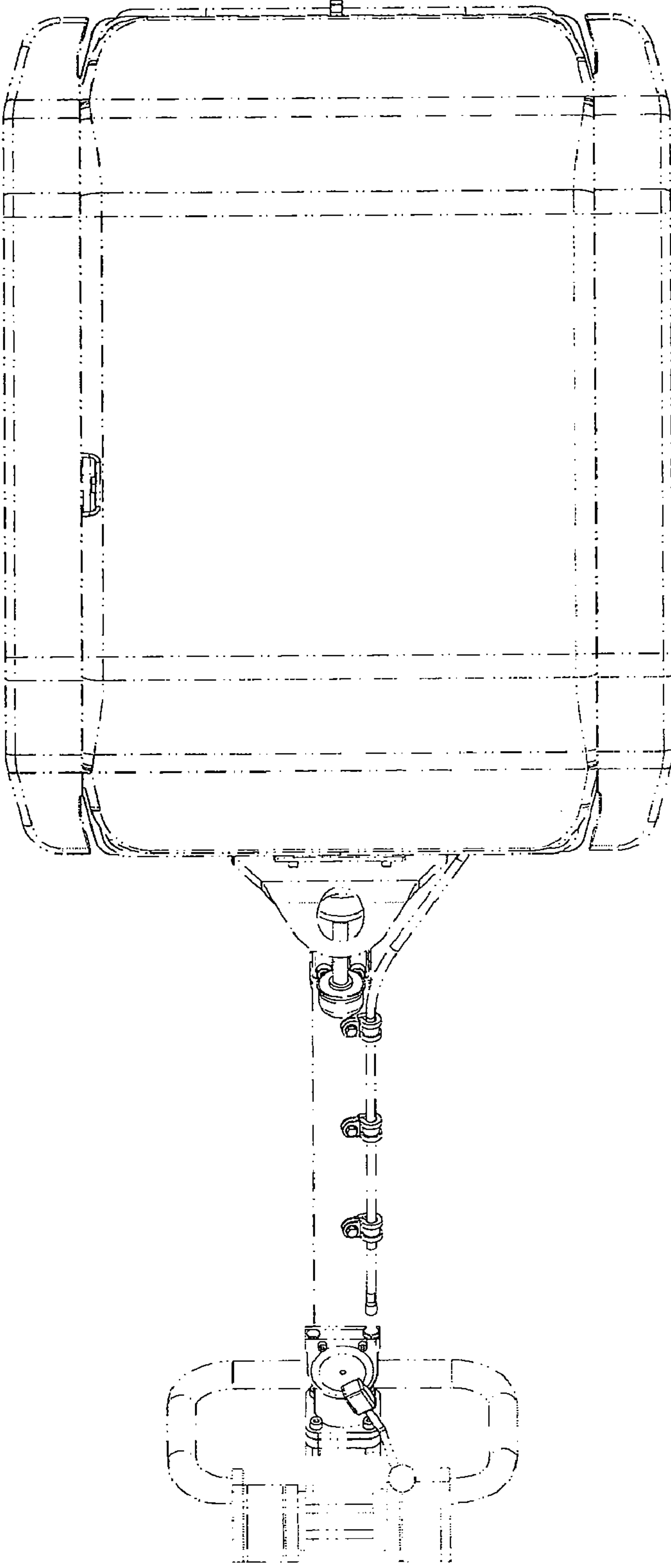


FIG. 8