



US00D631895S

(12) **United States Design Patent**
Luhman et al.

(10) **Patent No.:** **US D631,895 S**
(45) **Date of Patent:** **** Feb. 1, 2011**

(54) **SNOW ENGINE**

(75) Inventors: **Daniel J. Luhman**, Kohler, WI (US);
Anthony P. Freund, Fond du Lac, WI
(US)

(73) Assignee: **Kohler Co.**, Kohler, WI (US)

(**) Term: **14 Years**

(21) Appl. No.: **29/346,389**

(22) Filed: **Oct. 30, 2009**

(51) **LOC (9) Cl.** **15-01**

(52) **U.S. Cl.** **D15/1**

(58) **Field of Classification Search** D15/1,
D15/2, 3, 5, 6, 14, 17, 149; 123/22, 41.34,
123/51 A, 606 R, 52.1, 50 A, 50 B, 54.1,
123/54.2, 54.4, 54.5, 65 R, 195 R, 195 HC,
123/657, 311

See application file for complete search history.

(56) **References Cited**

U.S. PATENT DOCUMENTS

D277,485 S	2/1985	Iwakura et al.	
D294,832 S *	3/1988	Itou et al.	D15/1
D343,843 S *	2/1994	Mikado	D15/1
D366,660 S	1/1996	Benson	
D373,590 S	9/1996	Benson	
D398,010 S *	9/1998	Yoshida et al.	D15/1
D421,024 S *	2/2000	Katoh	D15/1
6,941,914 B2 *	9/2005	Snyder et al.	123/90.31
D517,672 S	3/2006	Schmitt et al.	

D518,157 S	3/2006	Clark et al.	
D529,924 S	10/2006	Ryczek et al.	
D536,004 S	1/2007	Ryczek et al.	
D540,819 S	4/2007	Schmitt et al.	
D541,300 S	4/2007	Geisheker et al.	
D591,767 S *	5/2009	Lee	D15/1
D609,720 S *	2/2010	Buck	D15/1
D610,164 S *	2/2010	Takahata et al.	D15/1

* cited by examiner

Primary Examiner—T. Chase Nelson

Assistant Examiner—Ania K Dworzecka

(74) *Attorney, Agent, or Firm*—Whyte Hirschboeck Dudek
SC

(57) **CLAIM**

The ornamental design for a snow engine, as shown and described.

DESCRIPTION

FIG. 1 is a front perspective view of an embodiment of a snow engine;

FIG. 2 is a front view thereof;

FIG. 3 is a right side view thereof;

FIG. 4 is a rear view thereof;

FIG. 5 is a left side view thereof; and,

FIG. 6 is a top view thereof.

The broken lines shown in the figures are for illustrative environmental purposes only and form no part of the claimed design.

1 Claim, 6 Drawing Sheets

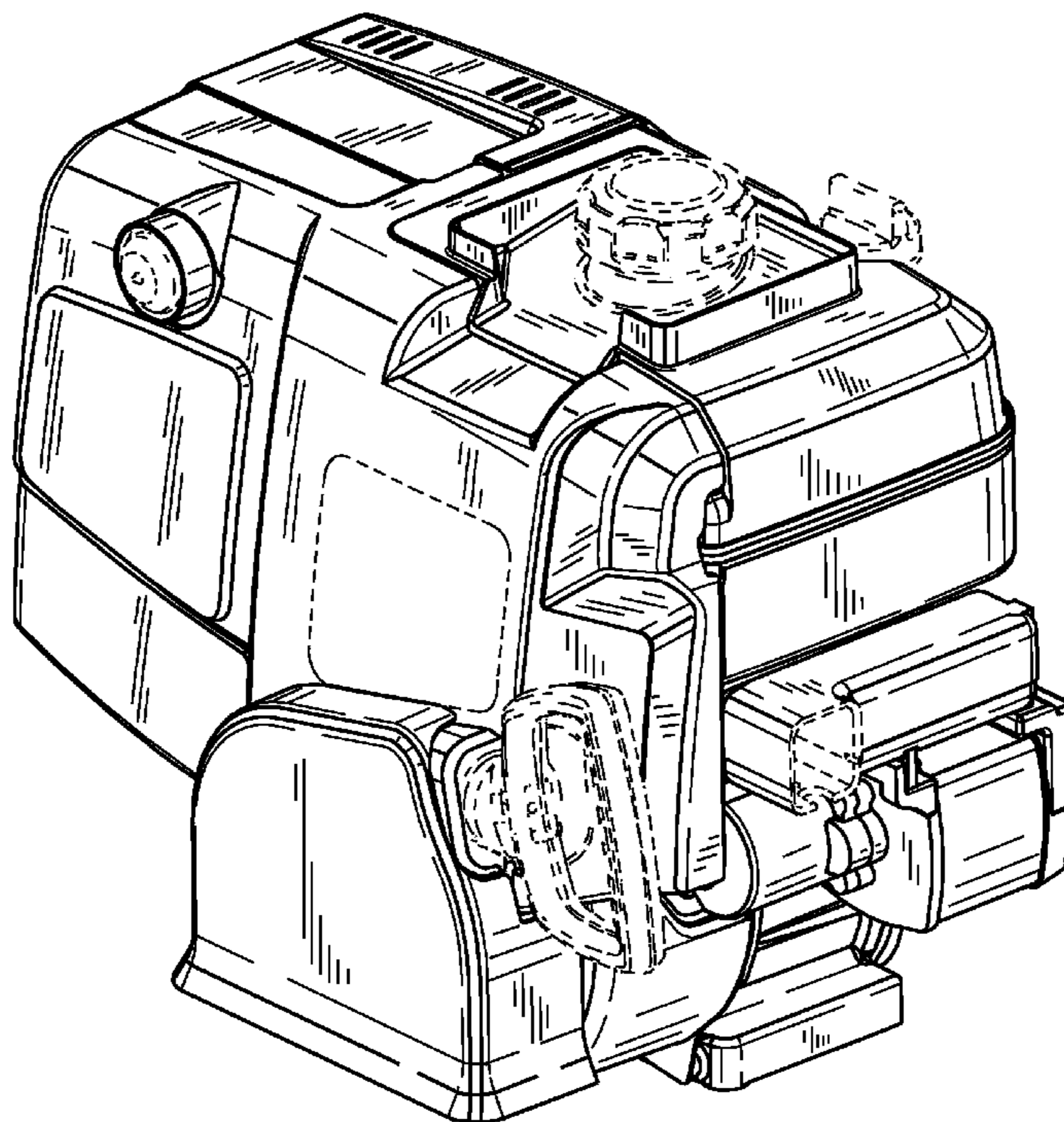
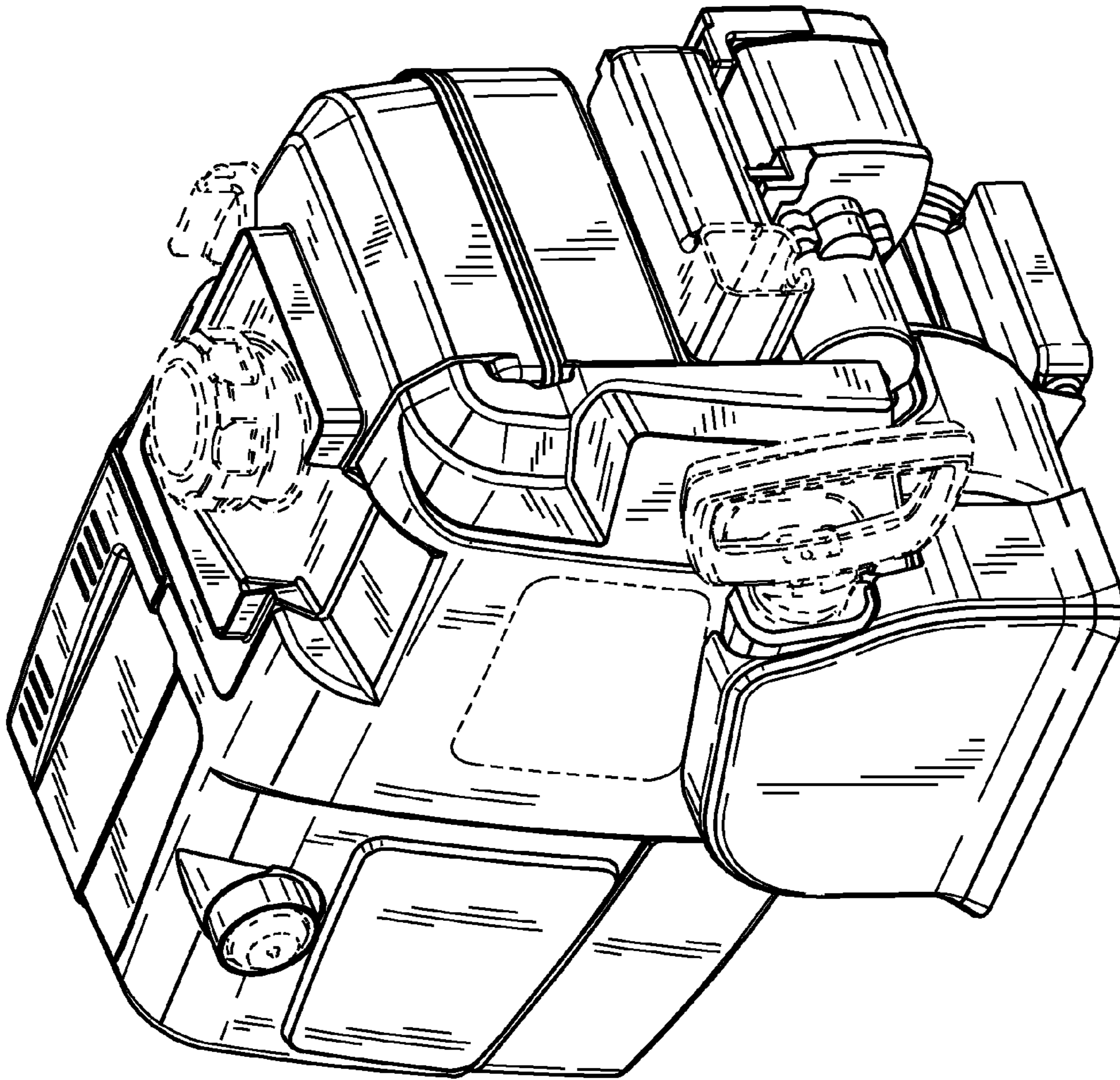


FIG. 1



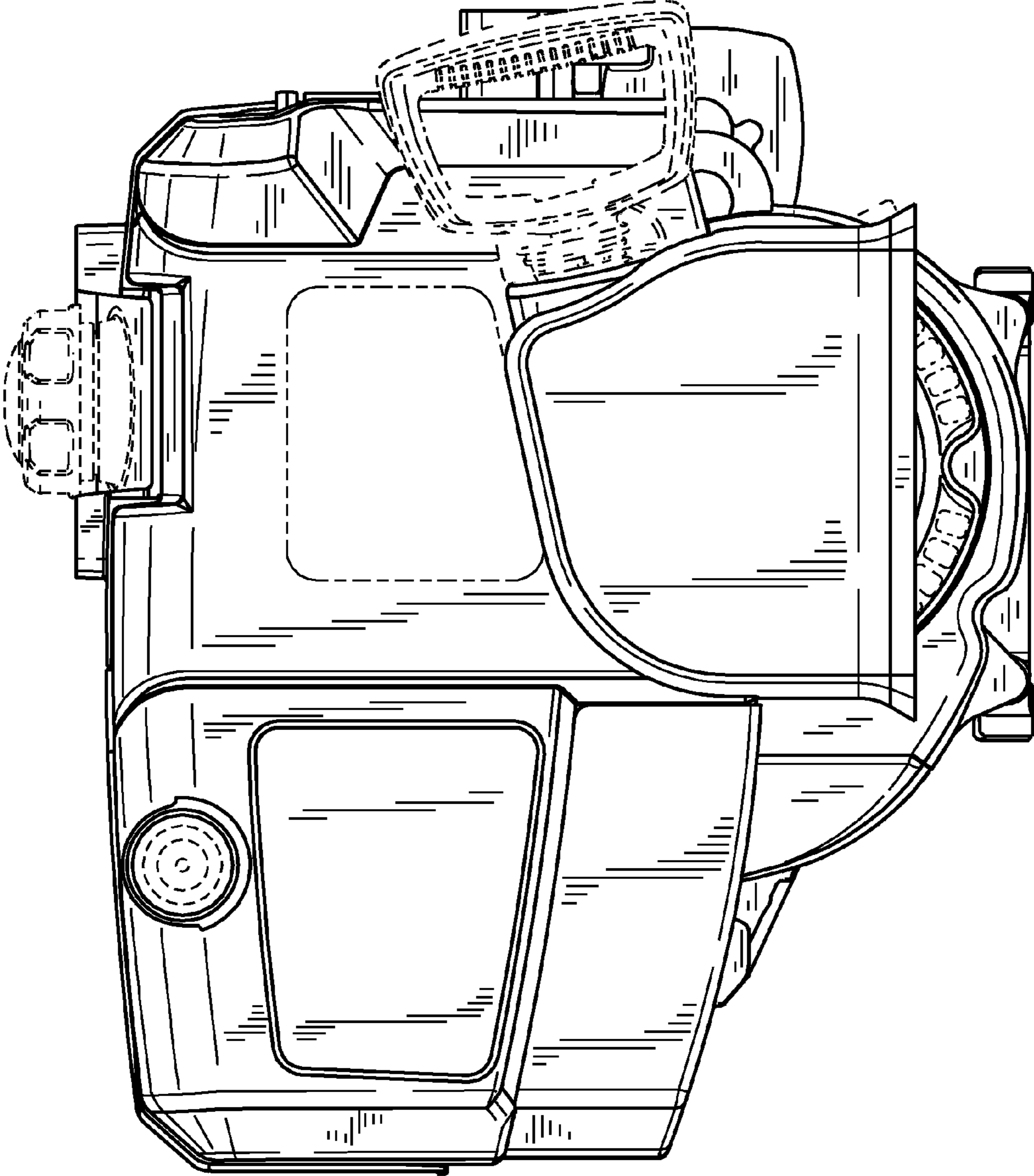


FIG. 2

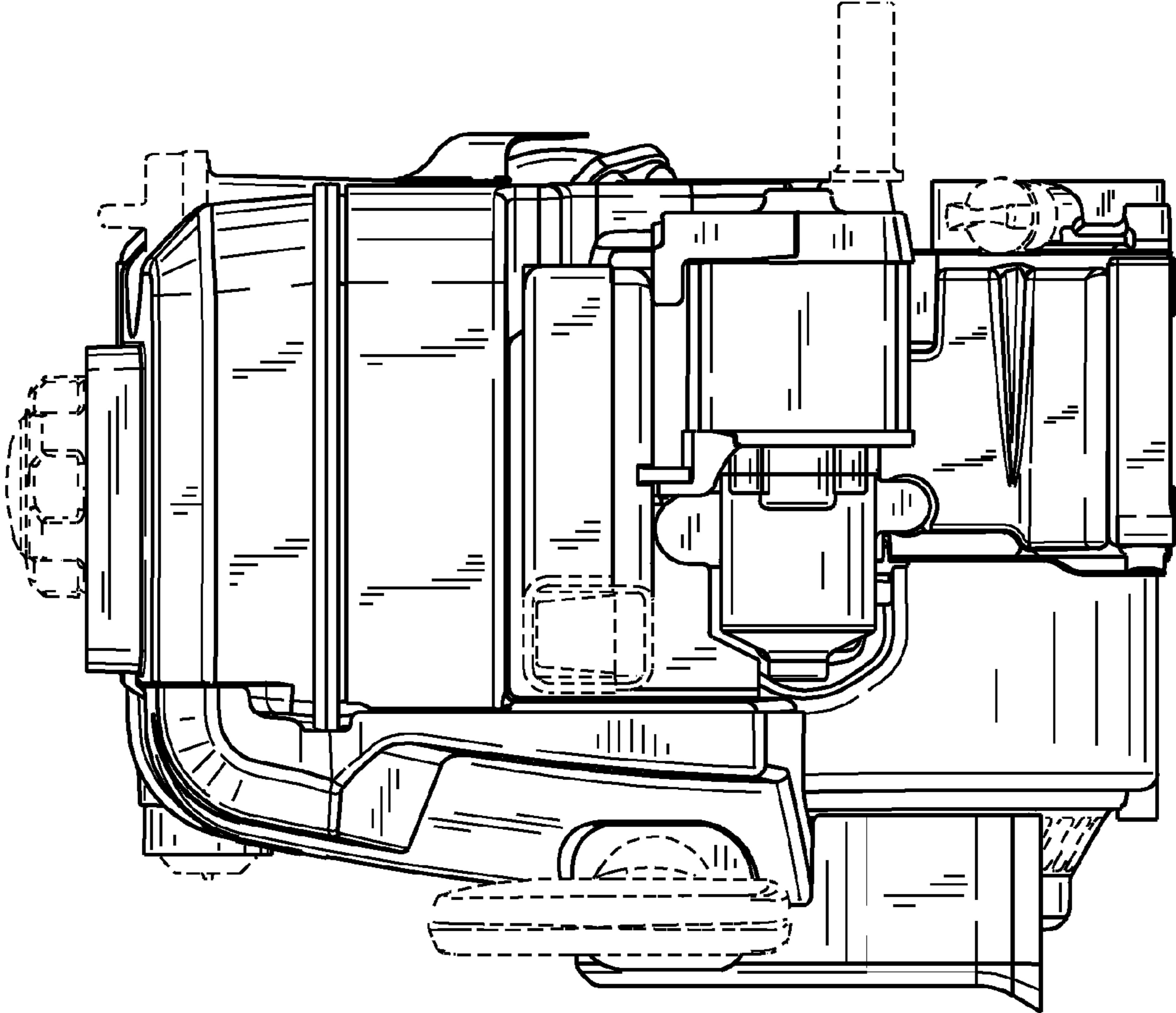


FIG. 3

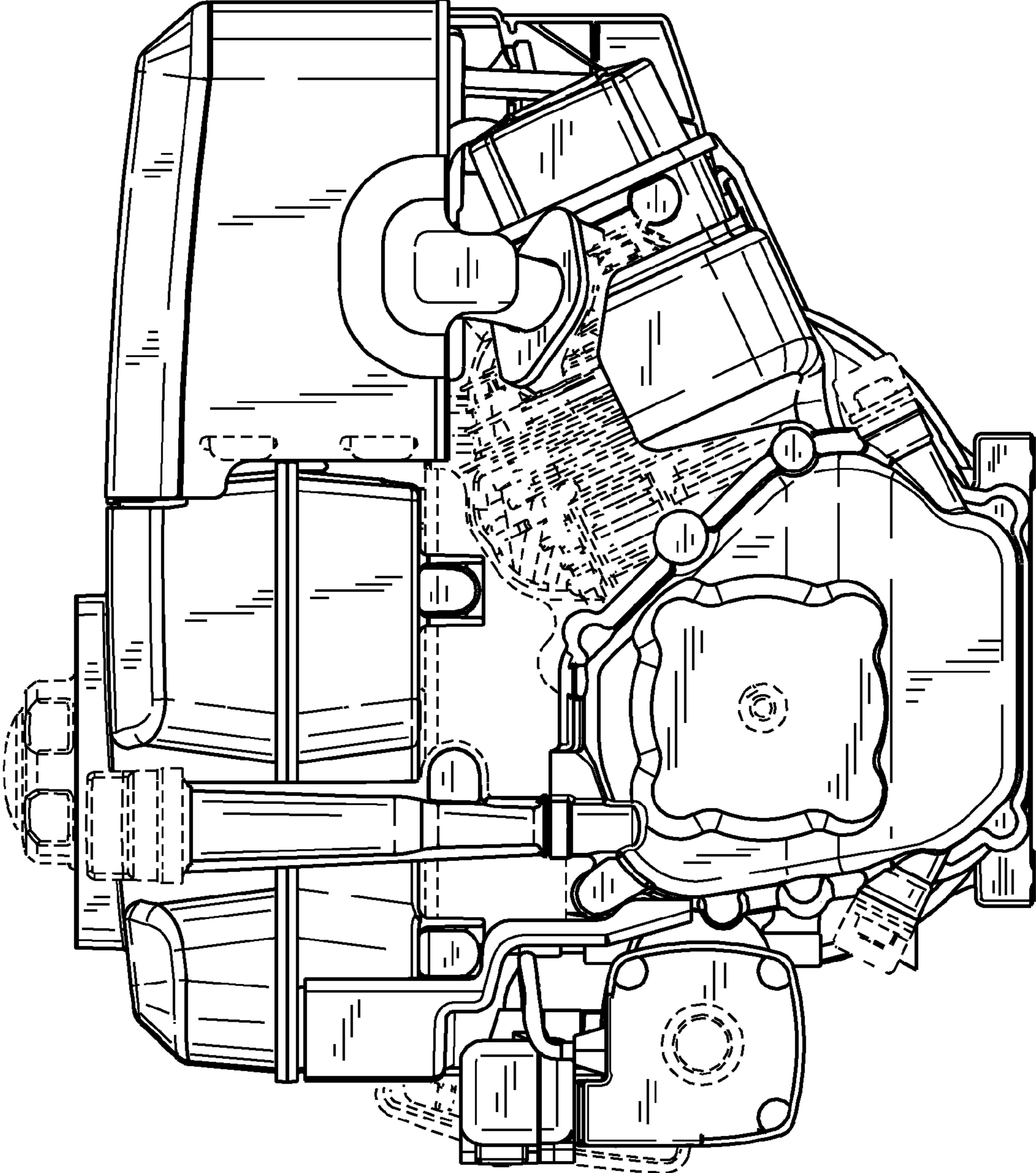


FIG. 4

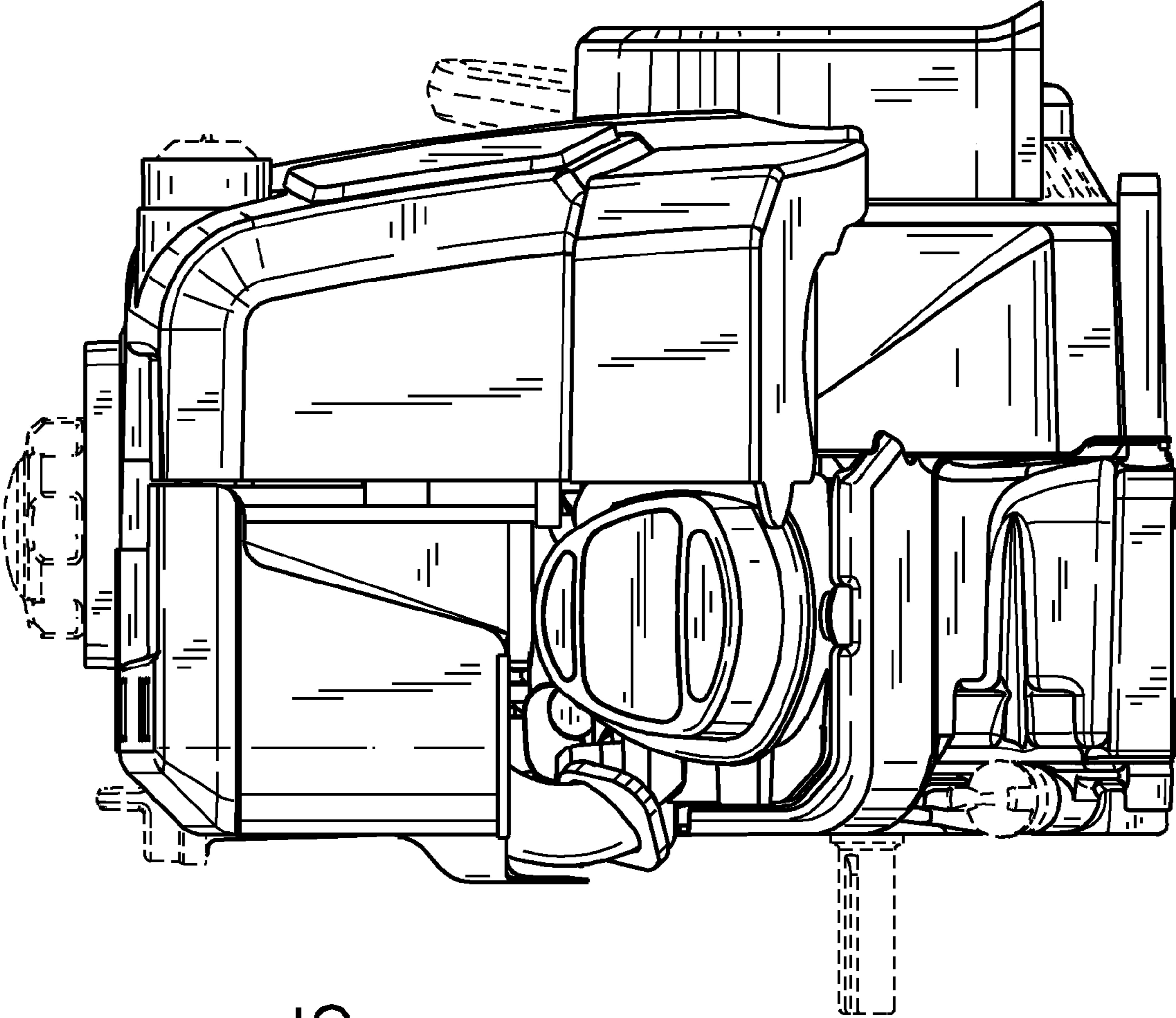


FIG. 5

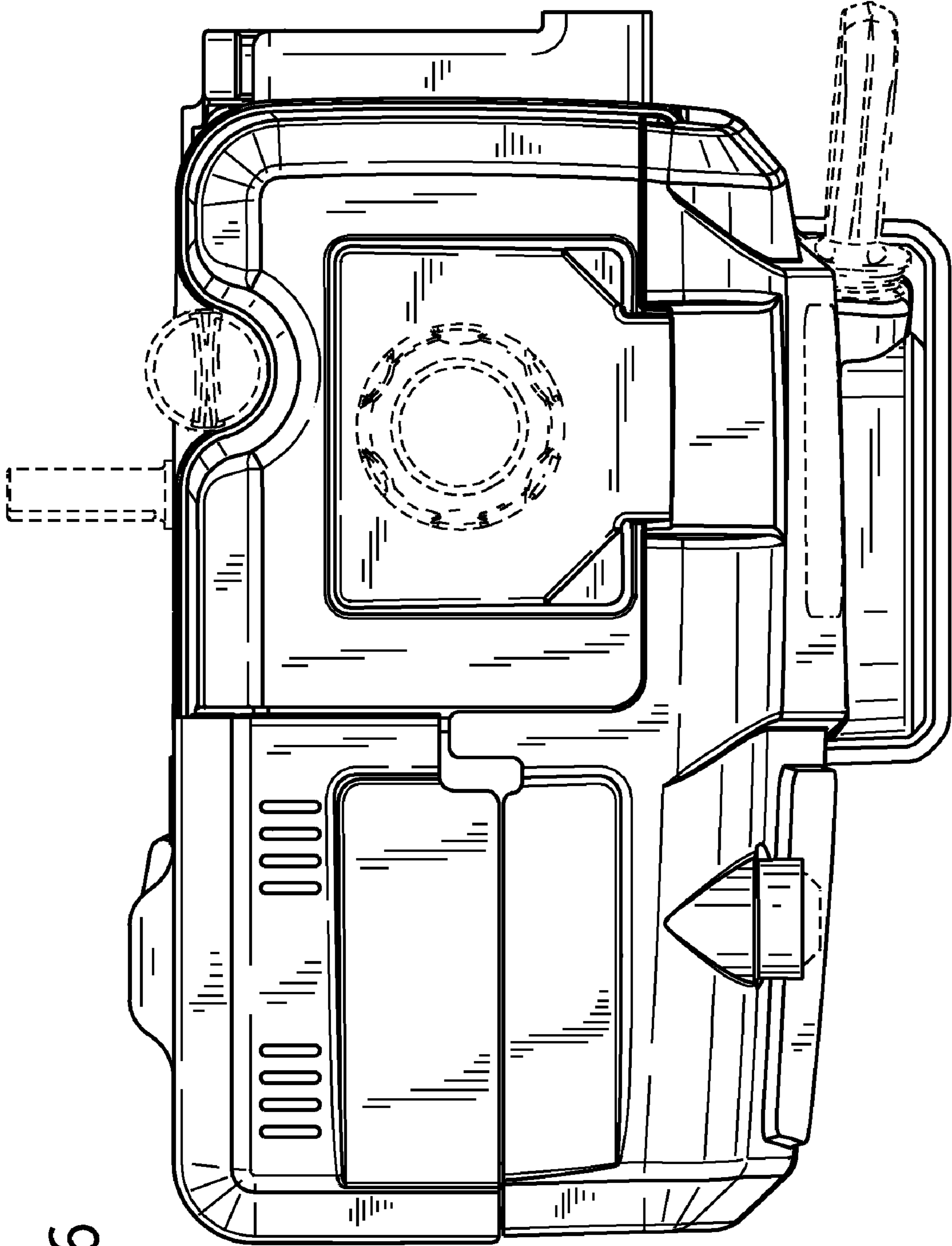


FIG. 6