

US00D631884S

(12) **United States Design Patent**  
**Klein et al.**

(10) **Patent No.:** **US D631,884 S**

(45) **Date of Patent:** **\*\* Feb. 1, 2011**

(54) **USB SET-UP KEY**

2008/0133832 A1\* 6/2008 Bhavnani ..... 711/115  
2008/0156871 A1\* 7/2008 Fidalgo et al. .... 361/752

(75) Inventors: **Sandro David Klein**, Cypress, CA (US);  
**Hungbing Chen**, Tustin, CA (US)

**OTHER PUBLICATIONS**

CES Flash Memory USB Flash Drives, [online] posted Jan. 6, 2009  
[retrieved on Mar. 11, 2009]. Retrieved from the Internet <URL:  
<http://www.ces-show.com/flashmemory/usbflashdrive/>>.\*

(73) Assignee: **Cisco Technology, Inc.**, San Jose, CA  
(US)

\* cited by examiner

(\*\*) Term: **14 Years**

*Primary Examiner*—Cathron C Brooks

*Assistant Examiner*—Karen E Kearney

(21) Appl. No.: **29/354,056**

(74) *Attorney, Agent, or Firm*—Haynes and Boone, LLP.

(22) Filed: **Jan. 19, 2010**

(57) **CLAIM**

(51) **LOC (9) Cl.** ..... **14-02**

(52) **U.S. Cl.** ..... **D14/435.1**

(58) **Field of Classification Search** ..... D14/411,  
D14/433, 435.1, 436, 480.1–480.7, 484.1,  
D14/137, 155, 167, 168, 203.1–203.8, 240,  
D14/242, 299; D3/201, 273; D13/107, 108,  
D13/149, 184; 710/300, 301; 439/131, 135–147  
See application file for complete search history.

The ornamental design for a USB set-up key, as shown and  
described.

**DESCRIPTION**

(56) **References Cited**

**U.S. PATENT DOCUMENTS**

D317,310 S *	6/1991	Schwartz	.....	D14/218
D447,482 S *	9/2001	Lin	.....	D14/436
D449,615 S *	10/2001	Lloyd	.....	D14/433
6,650,534 B2 *	11/2003	Tree	.....	361/679.4
D601,141 S *	9/2009	Moshes et al.	.....	D14/356
D601,152 S *	9/2009	Moshes et al.	.....	D14/480.7
D601,569 S *	10/2009	Landry et al.	.....	D14/480.5
D610,588 S *	2/2010	Chen	.....	D14/480.7
D615,985 S *	5/2010	Landry et al.	.....	D14/480.5

FIG. 1 is a top perspective view of a USB set-up key showing  
our new design;

FIG. 2 is a bottom perspective view thereof;

FIG. 3 is a top view thereof;

FIG. 4 is a bottom view thereof;

FIG. 5 is a side view thereof;

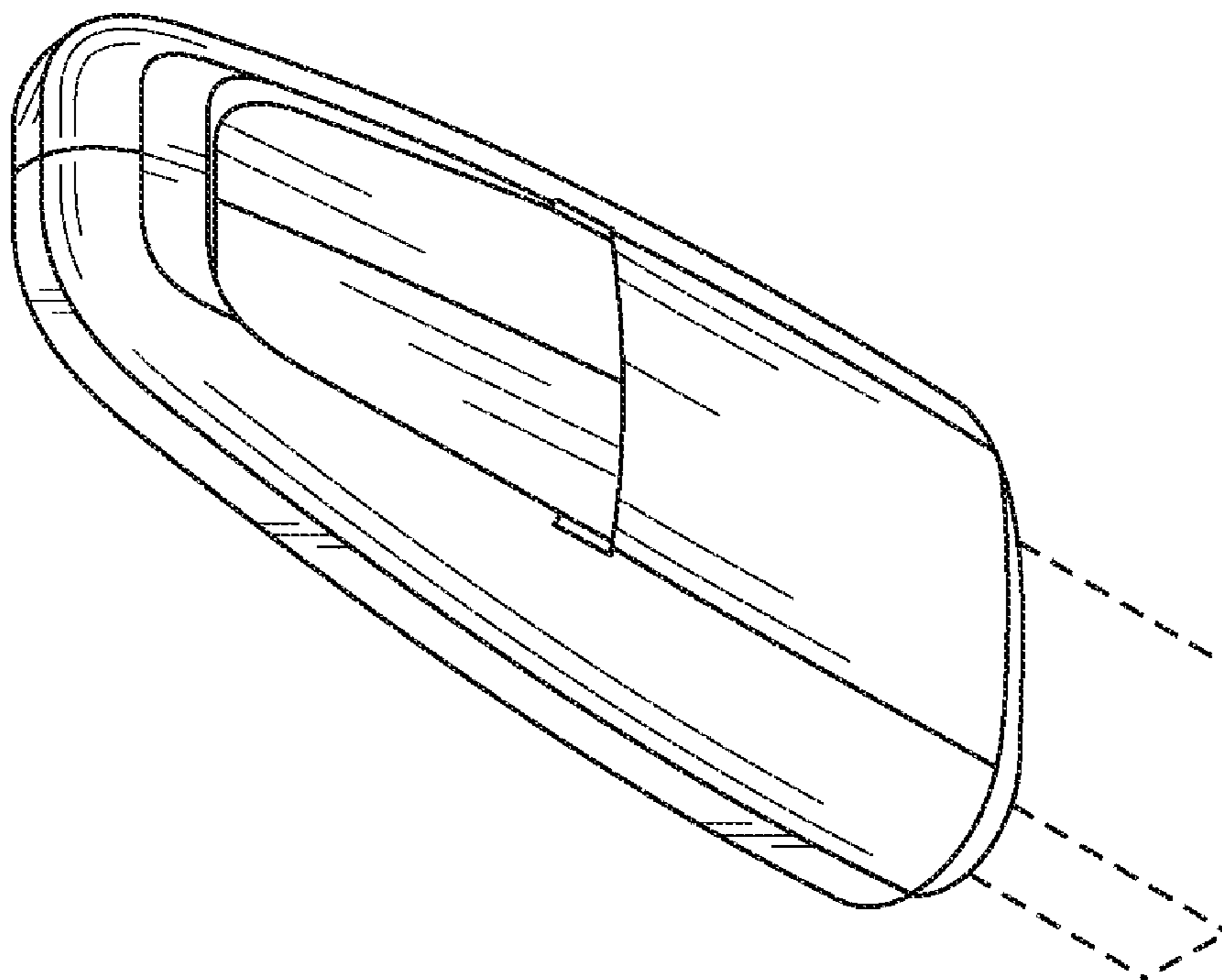
FIG. 6 is another side view thereof;

FIG. 7 is an end view thereof; and,

FIG. 8 is another end view thereof.

In the drawings, the broken lines depict environmental sub-  
ject matter only and form no part of the claimed design.

**1 Claim, 3 Drawing Sheets**



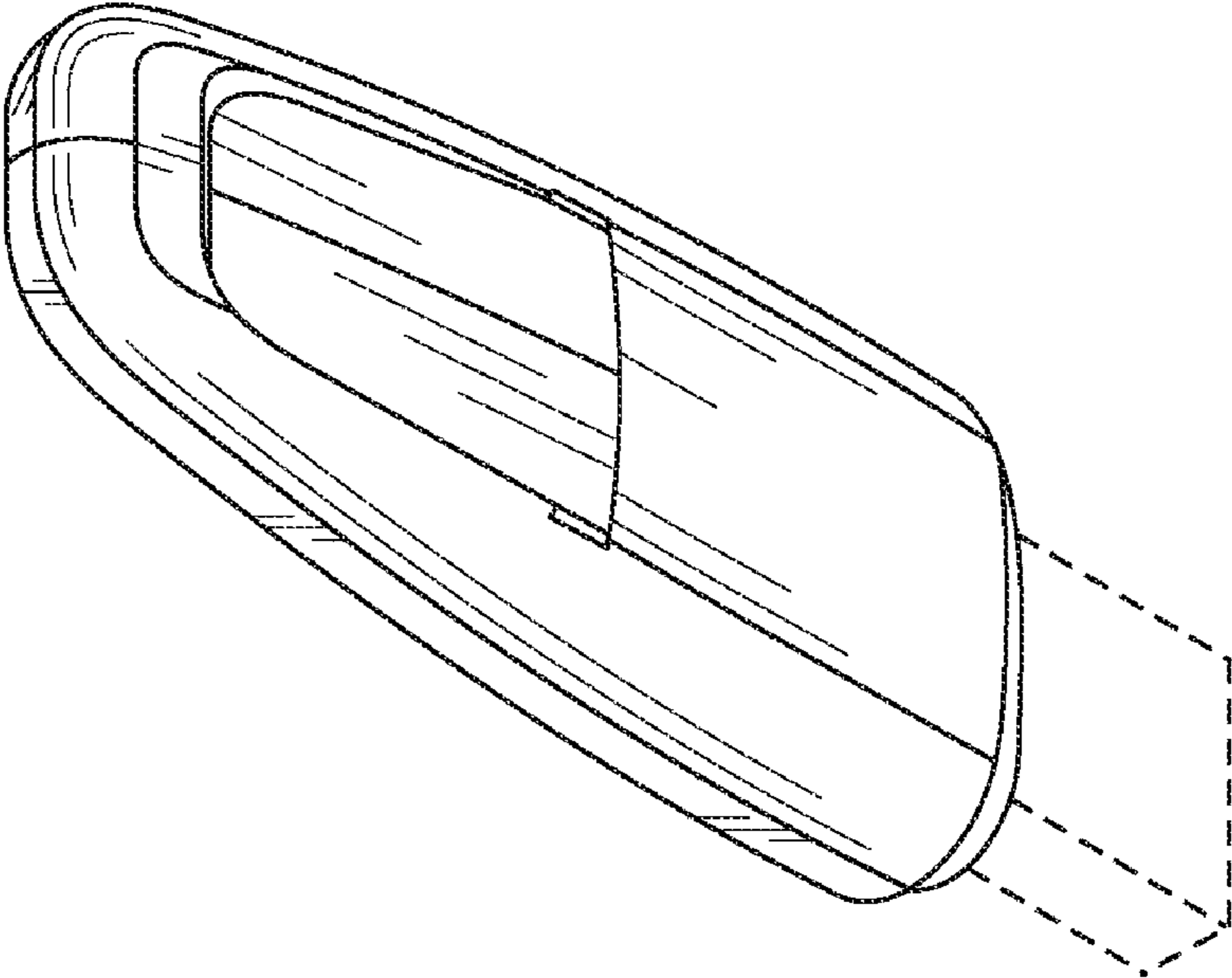


FIG. 1

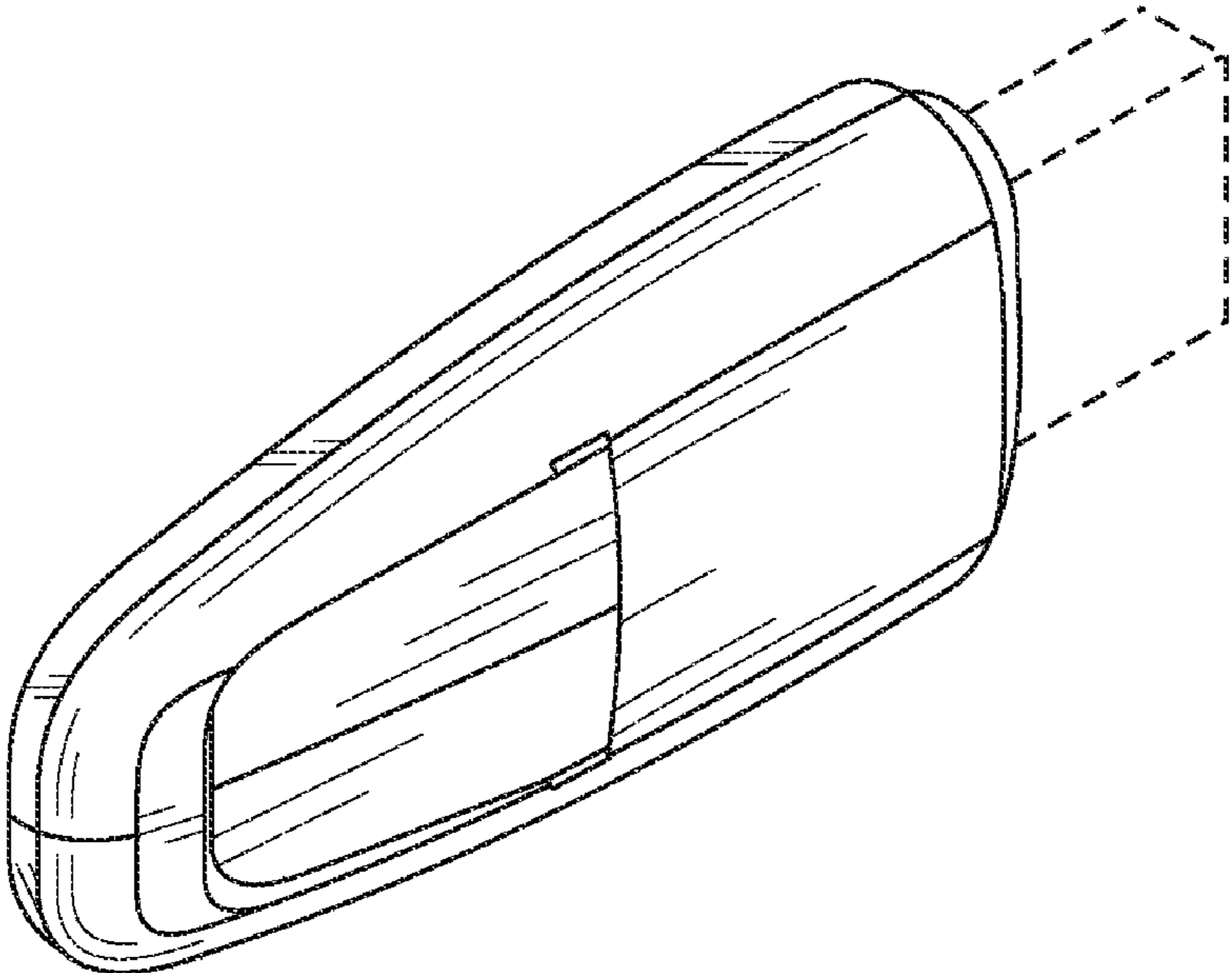


FIG. 2

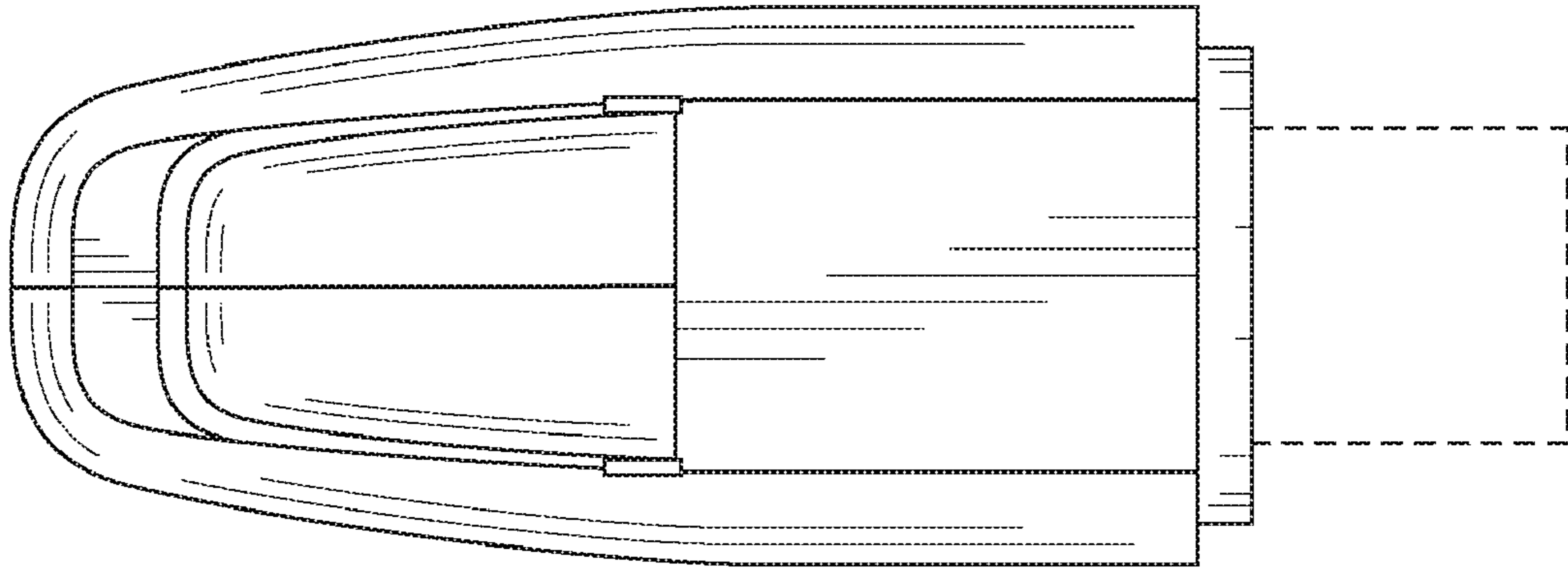


FIG. 3

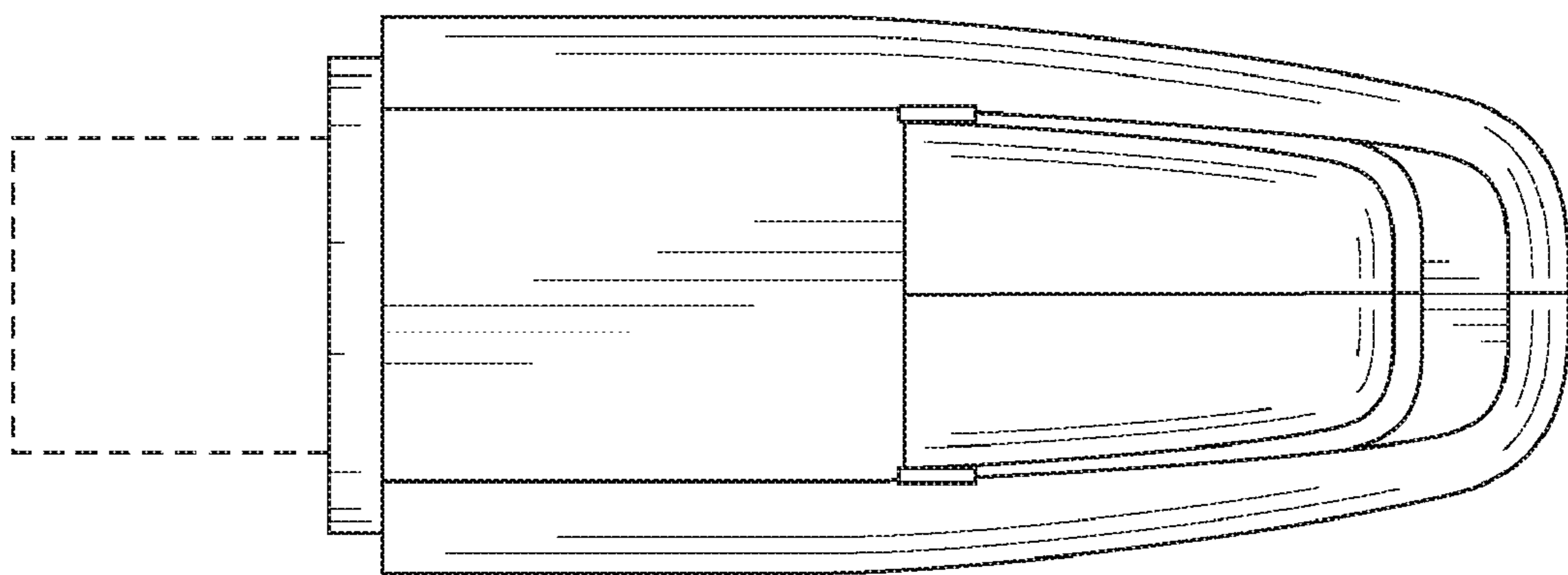


FIG. 4

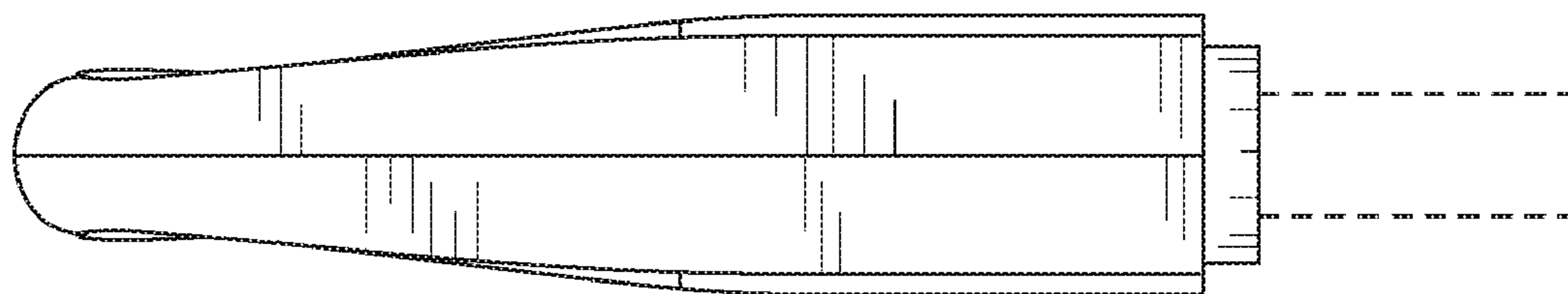


FIG. 5

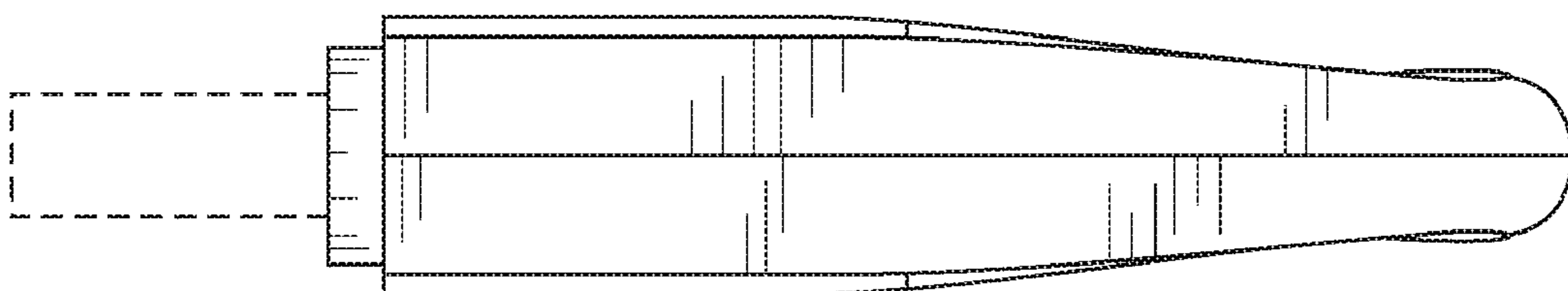


FIG. 6

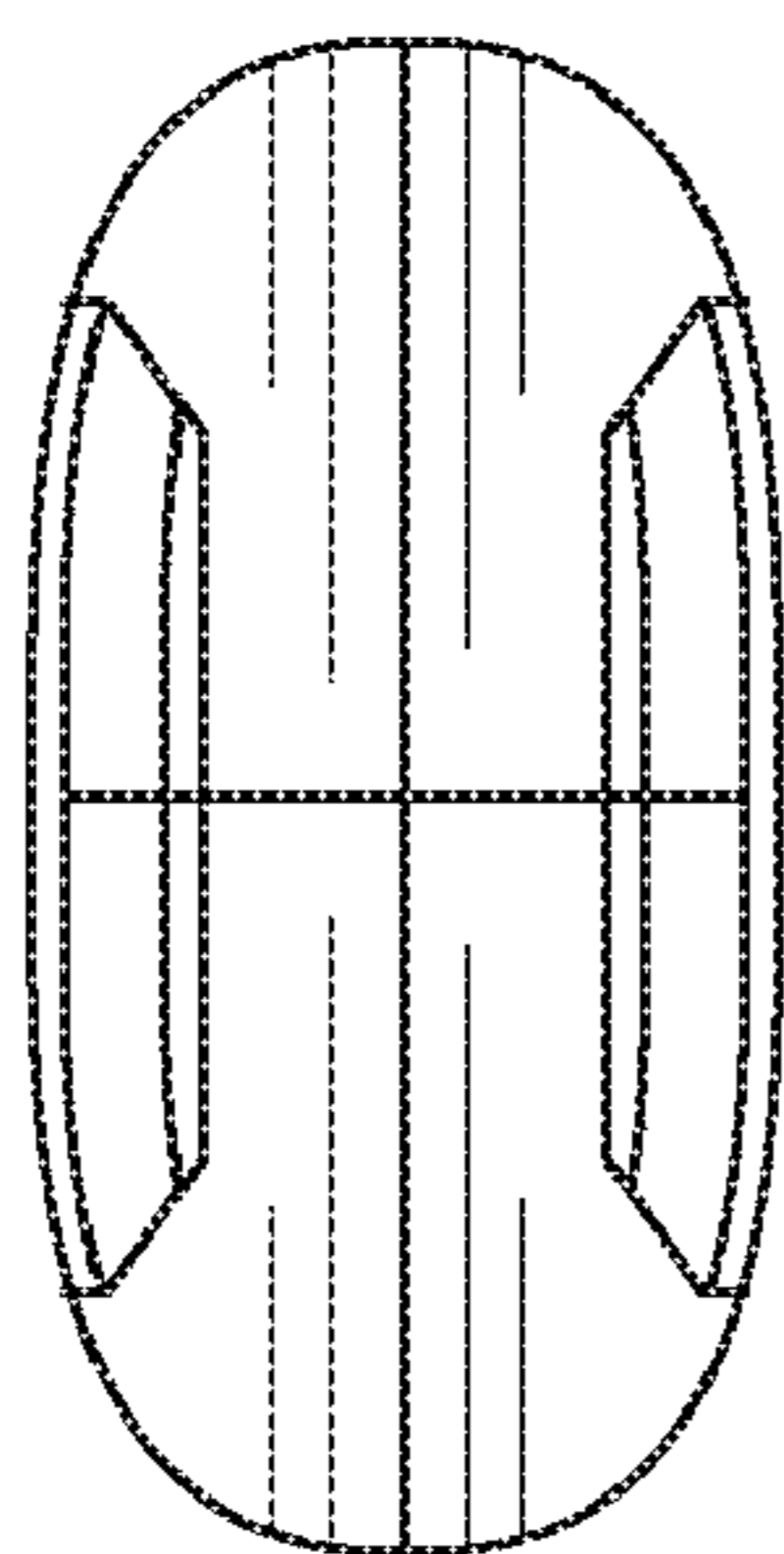


FIG. 7

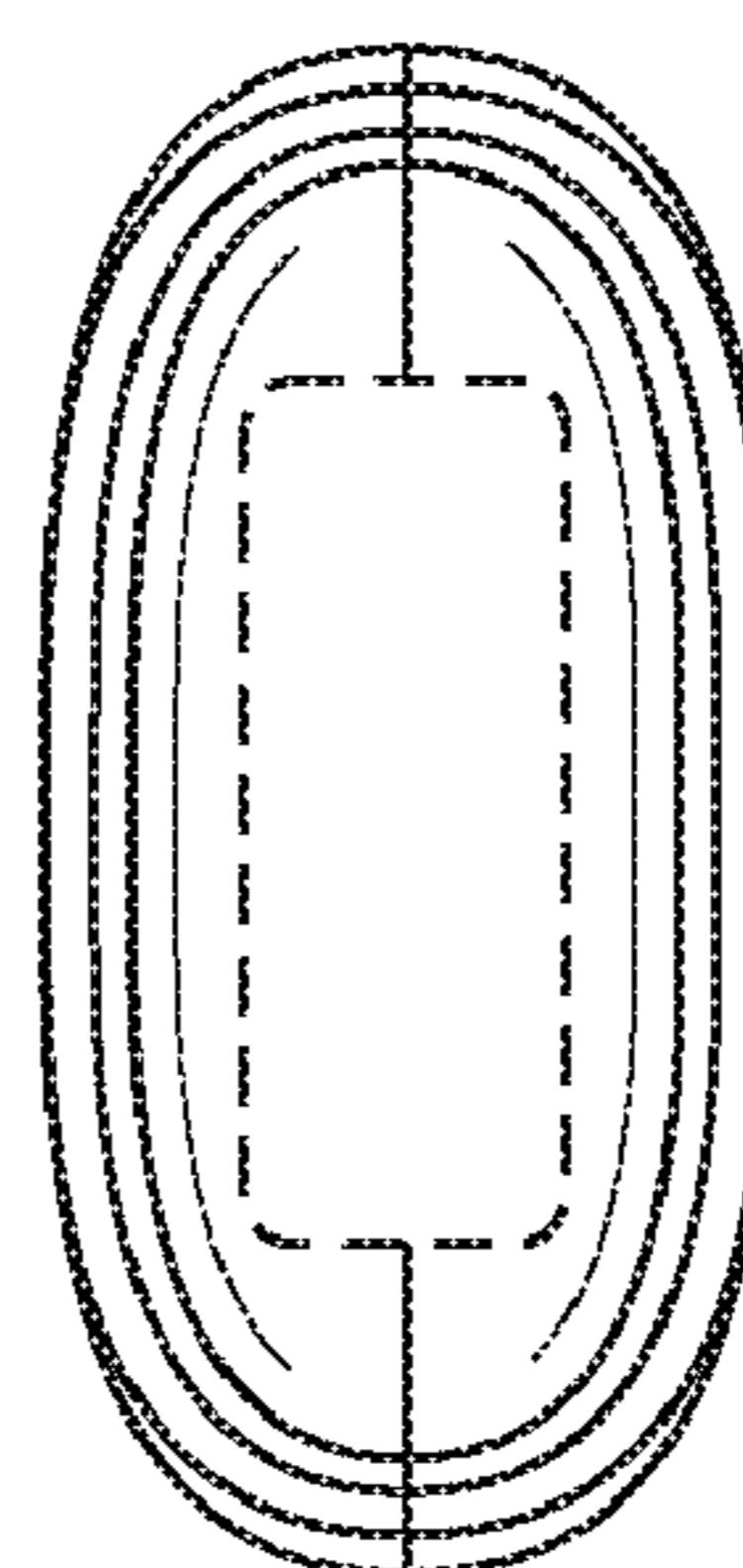


FIG. 8